

---

# YosysHQ Yosys

*Version 0.66*

**YosysHQ GmbH**

**Jul 09, 2026**



# CONTENTS

<b>1</b>	<b>What is Yosys</b>	<b>15</b>
1.1	What you can do with Yosys	15
1.1.1	Typical applications for Yosys	16
1.1.2	Things you can't do	16
1.2	The Yosys family	16
1.3	The original thesis abstract	17
1.3.1	Benefits of open source HDL synthesis	18
1.3.2	History of Yosys	18
<b>2</b>	<b>Getting started with Yosys</b>	<b>21</b>
2.1	Installation	21
2.1.1	CAD suite(s)	21
2.1.2	Building from source	22
2.1.3	Source tree and build system	24
2.2	Synthesis starter	25
2.2.1	Demo design	25
2.2.2	Loading the design	27
2.2.3	Elaboration	27
2.2.4	Flattening	33
2.2.5	The coarse-grain representation	34
2.2.6	Hardware mapping	42
2.2.7	Final steps	50
2.3	Scripting in Yosys	52
2.3.1	Script parsing	53
2.3.2	The synthesis starter script	53
<b>3</b>	<b>Using Yosys (advanced)</b>	<b>59</b>
3.1	Synthesis in detail	59
3.1.1	Synth commands	59
3.1.2	Converting process blocks	60
3.1.3	FSM handling	63
3.1.4	Memory handling	66
3.1.5	Optimization passes	81
3.1.6	Technology mapping	88
3.1.7	The extract pass	89
3.1.8	The ABC toolbox	103
3.1.9	Mapping to cell libraries	106
3.2	More scripting	111
3.2.1	Loading a design	111
3.2.2	Selections	113

3.2.3	Interactive design investigation . . . . .	126
3.2.4	Symbolic model checking . . . . .	146
3.2.5	Dataflow tracking . . . . .	150
3.3	Minimizing failing (or bugged) designs . . . . .	151
3.3.1	Before you start . . . . .	152
3.3.2	Minimizing RTLIL designs with bugpoint . . . . .	152
3.3.3	Minimizing Verilog designs . . . . .	155
3.3.4	Identifying issues . . . . .	157
3.4	Notes on Verilog support in Yosys . . . . .	158
3.4.1	Unsupported Verilog-2005 Features . . . . .	158
3.4.2	Verilog Attributes and non-standard features . . . . .	158
3.4.3	Non-standard or SystemVerilog features for formal verification . . . . .	162
3.4.4	Supported features from SystemVerilog . . . . .	162
3.5	Scripting with Pyosys . . . . .	163
3.5.1	Getting Pyosys . . . . .	164
3.5.2	Scripting and Database Inspection . . . . .	164
3.5.3	Modifying the Database . . . . .	165
3.5.4	Encapsulating as Passes . . . . .	167
<b>4</b>	<b>Yosys internals</b> . . . . .	<b>169</b>
4.1	Internal flow . . . . .	169
4.1.1	Flow overview . . . . .	169
4.1.2	Control and data flow . . . . .	170
4.1.3	The Verilog and AST frontends . . . . .	172
4.2	Internal formats . . . . .	181
4.2.1	The RTL Intermediate Language (RTLIL) . . . . .	182
4.3	Working with the Yosys codebase . . . . .	188
4.3.1	Writing extensions . . . . .	188
4.3.2	Compiling with Verific library . . . . .	197
4.3.3	Writing a new backend using FunctionalIR . . . . .	199
4.3.4	Identifying the root cause of bugs . . . . .	212
4.3.5	Contributing to Yosys . . . . .	216
4.3.6	Testing Yosys . . . . .	222
4.4	Techmap by example . . . . .	223
4.4.1	Mapping OR3X1 . . . . .	223
4.4.2	Conditional techmap . . . . .	226
4.4.3	Scripting in map modules . . . . .	227
4.4.4	Handling constant inputs . . . . .	229
4.4.5	Handling shorted inputs . . . . .	230
4.4.6	Notes on using techmap . . . . .	232
4.5	Hashing and associative data structures in Yosys . . . . .	232
4.5.1	Container classes based on hashing . . . . .	232
4.5.2	The hash function . . . . .	233
4.5.3	Making a type hashable . . . . .	233
4.5.4	Porting plugins from the legacy interface . . . . .	234
<b>5</b>	<b>A primer on digital circuit synthesis</b> . . . . .	<b>235</b>
5.1	Levels of abstraction . . . . .	235
5.1.1	System level . . . . .	236
5.1.2	High level . . . . .	236
5.1.3	Behavioural level . . . . .	236
5.1.4	Register-Transfer Level (RTL) . . . . .	237
5.1.5	Logical gate level . . . . .	237
5.1.6	Physical gate level . . . . .	238

5.1.7	Switch level . . . . .	238
5.1.8	Yosys . . . . .	238
5.2	Features of synthesizable Verilog . . . . .	238
5.2.1	Structural Verilog . . . . .	238
5.2.2	Expressions in Verilog . . . . .	239
5.2.3	Behavioural modelling . . . . .	239
5.2.4	Functions and tasks . . . . .	240
5.2.5	Conditionals, loops and generate-statements . . . . .	240
5.2.6	Arrays and memories . . . . .	240
5.3	Challenges in digital circuit synthesis . . . . .	241
5.3.1	Standards compliance . . . . .	241
5.3.2	Optimizations . . . . .	241
5.3.3	Technology mapping . . . . .	242
5.4	Script-based synthesis flows . . . . .	242
5.5	Methods from compiler design . . . . .	243
5.5.1	Lexing and parsing . . . . .	243
5.5.2	Multi-pass compilation . . . . .	244
5.5.3	Static Single Assignment (SSA) form . . . . .	245
<b>6</b>	<b>RTLIL text representation</b> . . . . .	<b>247</b>
6.1	Lexical elements . . . . .	247
6.1.1	Characters . . . . .	247
6.1.2	Identifiers . . . . .	247
6.1.3	Values . . . . .	247
6.1.4	Strings . . . . .	248
6.1.5	Comments . . . . .	248
6.2	File . . . . .	248
6.2.1	Autoindex statements . . . . .	248
6.2.2	Modules . . . . .	249
6.2.3	Attribute statements . . . . .	249
6.2.4	Signal specifications . . . . .	249
6.2.5	Connections . . . . .	249
6.2.6	Wires . . . . .	249
6.2.7	Memories . . . . .	250
6.2.8	Cells . . . . .	250
6.2.9	Processes . . . . .	250
6.2.10	Switches . . . . .	251
6.2.11	Syncs . . . . .	251
<b>7</b>	<b>Auxiliary libraries</b> . . . . .	<b>253</b>
7.1	BigInt . . . . .	253
7.2	dlfen-win32 . . . . .	253
7.3	ezSAT . . . . .	253
7.4	fst . . . . .	253
7.5	json11 . . . . .	253
7.6	MiniSAT . . . . .	254
7.7	SHA1 . . . . .	254
7.8	SubCircuit . . . . .	254
<b>8</b>	<b>Auxiliary programs</b> . . . . .	<b>255</b>
8.1	yosys-config . . . . .	255
8.2	yosys-filterlib . . . . .	256
8.3	yosys-abc . . . . .	256
8.4	yosys-smtbmc . . . . .	257

8.5	yosys-witness . . . . .	260
<b>9</b>	<b>Internal cell library</b>	<b>263</b>
9.1	Word-level cells . . . . .	263
9.1.1	Unary operators . . . . .	263
9.1.2	Binary operators . . . . .	269
9.1.3	Multiplexers . . . . .	289
9.1.4	Registers . . . . .	293
9.1.5	Memories . . . . .	303
9.1.6	Finite state machines . . . . .	315
9.1.7	Coarse arithmetics . . . . .	317
9.1.8	Arbitrary logic functions . . . . .	325
9.1.9	Specify rules . . . . .	327
9.1.10	Formal verification cells . . . . .	331
9.1.11	Debugging cells . . . . .	338
9.1.12	Wire cells . . . . .	341
9.2	Gate-level cells . . . . .	343
9.2.1	Combinatorial cells (simple) . . . . .	343
9.2.2	Combinatorial cells (combined) . . . . .	347
9.2.3	Flip-flop cells . . . . .	353
9.2.4	Latch cells . . . . .	408
9.2.5	Other gate-level cells . . . . .	420
9.3	Cell properties . . . . .	421
<b>10</b>	<b>Command line reference</b>	<b>423</b>
10.1	Command reference . . . . .	424
10.1.1	Yosys environment variables . . . . .	425
10.1.2	Reading input files . . . . .	425
10.1.3	Writing output files . . . . .	437
10.1.4	Yosys kernel commands . . . . .	466
10.1.5	Formal verification . . . . .	469
10.1.6	Passes . . . . .	489
10.1.7	Technology libraries . . . . .	611
10.1.8	Internal commands for developers . . . . .	672
10.1.9	Writing command help . . . . .	677
	<b>Bibliography</b>	<b>687</b>
	<b>Property Index</b>	<b>689</b>
	<b>Internal cell reference</b>	<b>691</b>
	<b>Command Reference</b>	<b>695</b>
	<b>Tag Index</b>	<b>699</b>

Yosys is an open source framework for RTL synthesis. To learn more about Yosys, see *What is Yosys*. For a quick guide on how to get started using Yosys, check out *Getting started with Yosys*. For the complete list of commands available, go to *Command reference*.

### Todo

look into command ref improvements

- Search bar with live drop down suggestions for matching on title / autocompleting commands
- Scroll the left sidebar to the current location on page load
- Also the formatting in pdf uses link formatting instead of code formatting

### Todo

how does a filterlib rules-file work?

(The [original entry](#) is located in `/build/yosys-7AWYyz/yosys-0.66/docs/source/appendix/auxprogs.rst`, line 22.)

### Todo

see if we can get the two hanging appnotes as lit references

(The [original entry](#) is located in `/build/yosys-7AWYyz/yosys-0.66/docs/source/bib.rst`, line 10.)

### Todo

flip-flops with async load, `$_ALDFFE?_[NP]{2,3}_`

(The [original entry](#) is located in `/build/yosys-7AWYyz/yosys-0.66/docs/source/cell/gate_reg_ff.rst`, line 234.)

### Todo

Add information about `$alu`, `$fa`, `$macc_v2`, and `$lcu` cells.

(The [original entry](#) is located in `/build/yosys-7AWYyz/yosys-0.66/docs/source/cell/word_arith.rst`, line 4.)


### Todo

Describe formal cells

`$check`, `$assert`, `$assume`, `$live`, `$fair`, `$cover`, `$equiv`, `$initstate`, `$anyconst`, `$anyseq`, `$anyinit`, `$allconst`, and `$allseq`.


Also `$ff` and `$_FF_` cells.

(The original entry is located in /build/yosys-7AWYyz/yosys-0.66/docs/source/cell/word\_formal.rst, line 13.)

 **Todo**


Describe *\$fsm* cell

(The original entry is located in /build/yosys-7AWYyz/yosys-0.66/docs/source/cell/word\_fsm.rst, line 4.)

 **Todo**


*\$specify2*, *\$specify3*, and *\$specrule* cells.

(The original entry is located in /build/yosys-7AWYyz/yosys-0.66/docs/source/cell/word\_spec.rst, line 4.)

 **Todo**


Add information about *\$slice* and *\$concat* cells.

(The original entry is located in /build/yosys-7AWYyz/yosys-0.66/docs/source/cell/word\_wire.rst, line 4.)

 **Todo**


Can we warn on command groups that aren't included anywhere?

(The original entry is located in /build/yosys-7AWYyz/yosys-0.66/docs/source/cmd\_ref.rst, line 13.)

 **Todo**


reconsider including the whole (~77 line) design like this

(The original entry is located in /build/yosys-7AWYyz/yosys-0.66/docs/source/getting\_started/example\_synth.rst, line 23.)

 **Todo**


fifo.v description

(The original entry is located in /build/yosys-7AWYyz/yosys-0.66/docs/source/getting\_started/example\_synth.rst, line 31.)

 **Todo**


consider a brief glossary for terms like adff

(The original entry is located in /build/yosys-7AWYyz/yosys-0.66/docs/source/getting\_started/example\_synth.rst, line 199.)

 **Todo**

*hierarchy* failure modes

(The original entry is located in /build/yosys-7AWYyz/yosys-0.66/docs/source/getting\_started/example\_synth.rst, line 237.)

 **Todo**


pending bugfix in *wreduce* and/or *opt\_clean*

(The original entry is located in /build/yosys-7AWYyz/yosys-0.66/docs/source/getting\_started/example\_synth.rst, line 427.)

 **Todo**

*ice40\_dsp* is pmgen


(The original entry is located in /build/yosys-7AWYyz/yosys-0.66/docs/source/getting\_started/example\_synth.rst, line 501.)

 **Todo**

look into command ref improvements


- Search bar with live drop down suggestions for matching on title / autocompleting commands
- Scroll the left sidebar to the current location on page load
- Also the formatting in pdf uses link formatting instead of code formatting

(The original entry is located in /build/yosys-7AWYyz/yosys-0.66/docs/source/index.rst, line 10.)

 **Todo**


nextpnr for FPGAs, consider mentioning openlane, vpr, coriolis

(The original entry is located in /build/yosys-7AWYyz/yosys-0.66/docs/source/introduction.rst, line 76.)

 **Todo**


Consider a less academic version of the History of Yosys

(The original entry is located in /build/yosys-7AWYyz/yosys-0.66/docs/source/introduction.rst, line 206.)

 **Todo**


pending merge of <https://github.com/YosysHQ/yosys/pull/5068>

(The original entry is located in `/build/yosys-7AWYyz/yosys-0.66/docs/source/using__yosys/bugpoint.rst`, line 4.)

 **Todo**


brief overview for the more scripting index

(The original entry is located in `/build/yosys-7AWYyz/yosys-0.66/docs/source/using__yosys/more__scripting/index.rst`, line 4.)

 **Todo**


troubleshooting document(?)

(The original entry is located in `/build/yosys-7AWYyz/yosys-0.66/docs/source/using__yosys/more__scripting/index.rst`, line 6.)

 **Todo**


interactive design opening text

(The original entry is located in `/build/yosys-7AWYyz/yosys-0.66/docs/source/using__yosys/more__scripting/interactive__inv`, line 4.)

 **Todo**


merge into *Scripting in Yosys* show section

(The original entry is located in `/build/yosys-7AWYyz/yosys-0.66/docs/source/using__yosys/more__scripting/interactive__inv`, line 14.)

 **Todo**


replace inline code

(The original entry is located in `/build/yosys-7AWYyz/yosys-0.66/docs/source/using__yosys/more__scripting/interactive__inv`, line 363.)

 **Todo**


replace inline code

(The [original entry](#) is located in /build/yosys-7AWYyz/yosys-0.66/docs/source/using\_yosys/more\_scripting/interactive\_inv line 395.)

 **Todo**

replace inline code

(The [original entry](#) is located in /build/yosys-7AWYyz/yosys-0.66/docs/source/using\_yosys/more\_scripting/interactive\_inv line 483.)

 **Todo**


replace inline code

(The [original entry](#) is located in /build/yosys-7AWYyz/yosys-0.66/docs/source/using\_yosys/more\_scripting/interactive\_inv line 553.)

 **Todo**


replace inline code

(The [original entry](#) is located in /build/yosys-7AWYyz/yosys-0.66/docs/source/using\_yosys/more\_scripting/interactive\_inv line 597.)

 **Todo**


replace inline code

(The [original entry](#) is located in /build/yosys-7AWYyz/yosys-0.66/docs/source/using\_yosys/more\_scripting/interactive\_inv line 643.)

 **Todo**


replace inline code?

(The [original entry](#) is located in /build/yosys-7AWYyz/yosys-0.66/docs/source/using\_yosys/more\_scripting/interactive\_inv line 696.)

 **Todo**

replace inline code

(The original entry is located in /build/yosys-7AWYyz/yosys-0.66/docs/source/using\_yosys/more\_scripting/interactive\_invs line 721.)

 **Todo**


link note to as-yet non-existent section on RTLIL::Pass under *Working with the Yosys codebase*

(The original entry is located in /build/yosys-7AWYyz/yosys-0.66/docs/source/using\_yosys/more\_scripting/load\_design.rst line 84.)

 **Todo**


figure out this example code block

(The original entry is located in /build/yosys-7AWYyz/yosys-0.66/docs/source/using\_yosys/more\_scripting/load\_design.rst line 104.)

 **Todo**


does *write\_file* count?

(The original entry is located in /build/yosys-7AWYyz/yosys-0.66/docs/source/using\_yosys/more\_scripting/load\_design.rst line 133.)

 **Todo**


check text context

(The original entry is located in /build/yosys-7AWYyz/yosys-0.66/docs/source/using\_yosys/more\_scripting/model\_checking line 4.)

 **Todo**


add/expand supporting text

(The original entry is located in /build/yosys-7AWYyz/yosys-0.66/docs/source/using\_yosys/more\_scripting/model\_checking line 25.)

 **Todo**


replace inline code

(The original entry is located in /build/yosys-7AWYyz/yosys-0.66/docs/source/using\_\_yosys/more\_scripting/model\_checking line 47.)

 **Todo**

add/expand supporting text

(The original entry is located in /build/yosys-7AWYyz/yosys-0.66/docs/source/using\_\_yosys/more\_scripting/model\_checking line 91.)

 **Todo**

replace inline code

(The original entry is located in /build/yosys-7AWYyz/yosys-0.66/docs/source/using\_\_yosys/more\_scripting/model\_checking line 107.)


 **Todo**reduce overlap with *Scripting in Yosys* select section

(The original entry is located in /build/yosys-7AWYyz/yosys-0.66/docs/source/using\_\_yosys/more\_scripting/selections.rst, line 10.)

 **Todo**


pending discussion on whether rule ordering is a bug or a feature

(The original entry is located in /build/yosys-7AWYyz/yosys-0.66/docs/source/using\_\_yosys/more\_scripting/selections.rst, line 340.)

 **Todo**


reflow for not presentation

(The original entry is located in /build/yosys-7AWYyz/yosys-0.66/docs/source/using\_\_yosys/more\_scripting/selections.rst, line 385.)

 **Todo**


more about logic minimization & register balancing et al with ABC

(The [original entry](#) is located in /build/yosys-7AWYyz/yosys-0.66/docs/source/using\_\_yosys/synthesis/abc.rst, line 102.)

 **Todo**


find a Liberty pygments style?

(The [original entry](#) is located in /build/yosys-7AWYyz/yosys-0.66/docs/source/using\_\_yosys/synthesis/cell\_libs.rst, line 93.)

 **Todo**


add/expand supporting text, also mention custom pattern matching and pmgen

(The [original entry](#) is located in /build/yosys-7AWYyz/yosys-0.66/docs/source/using\_\_yosys/synthesis/extract.rst, line 12.)

 **Todo**


add/expand supporting text

(The [original entry](#) is located in /build/yosys-7AWYyz/yosys-0.66/docs/source/using\_\_yosys/synthesis/extract.rst, line 103.)

 **Todo**


Make `memory_*` notes less quick

(The [original entry](#) is located in /build/yosys-7AWYyz/yosys-0.66/docs/source/using\_\_yosys/synthesis/memory.rst, line 18.)

 **Todo**


describe `memory` images

(The [original entry](#) is located in /build/yosys-7AWYyz/yosys-0.66/docs/source/using\_\_yosys/synthesis/memory.rst, line 34.)

 **Todo**

assorted enables, e.g. cen, wen+ren

(The original entry is located in /build/yosys-7AWYyz/yosys-0.66/docs/source/using\_\_yosys/synthesis/memory.rst, line 233.)

 **Todo**


“outlines these optimizations” or “outlines *some.*”?

(The original entry is located in /build/yosys-7AWYyz/yosys-0.66/docs/source/using\_\_yosys/synthesis/opt.rst, line 7.)

 **Todo**


unsure if this is too much detail and should be in *Yosys internals*

(The original entry is located in /build/yosys-7AWYyz/yosys-0.66/docs/source/using\_\_yosys/synthesis/opt.rst, line 27.)

 **Todo**


`$_DFF_` isn't a valid cell

(The original entry is located in /build/yosys-7AWYyz/yosys-0.66/docs/source/using\_\_yosys/synthesis/opt.rst, line 185.)

 **Todo**


more on the other optimizations

(The original entry is located in /build/yosys-7AWYyz/yosys-0.66/docs/source/using\_\_yosys/synthesis/opt.rst, line 234.)

 **Todo**

describe `proc` images

(The original entry is located in /build/yosys-7AWYyz/yosys-0.66/docs/source/using\_\_yosys/synthesis/proc.rst, line 29.)

 **Todo**


comment on common `synth_*` options, like `-run`

(The original entry is located in `/build/yosys-7AWYyz/yosys-0.66/docs/source/using__yosys/synthesis/synth.rst`, line 4.)

 **Todo**


less academic, check text is coherent

(The original entry is located in `/build/yosys-7AWYyz/yosys-0.66/docs/source/using__yosys/synthesis/techmap__synth.rst`, line 4.)

 **Todo**


newer techmap libraries appear to be largely `.v` instead of `.lib`

(The original entry is located in `/build/yosys-7AWYyz/yosys-0.66/docs/source/using__yosys/synthesis/techmap__synth.rst`, line 76.)

 **Todo**


check text is coherent

(The original entry is located in `/build/yosys-7AWYyz/yosys-0.66/docs/source/yosys__internals/extending__yosys/extensions`, line 7.)

 **Todo**


update to use `/code_examples/extensions/test*.log`

(The original entry is located in `/build/yosys-7AWYyz/yosys-0.66/docs/source/yosys__internals/extending__yosys/extensions`, line 9.)

 **Todo**


mention coding guide

(The original entry is located in `/build/yosys-7AWYyz/yosys-0.66/docs/source/yosys__internals/extending__yosys/extensions`, line 14.)

 **Todo**


consider replacing inline code

(The [original entry](#) is located in `/build/yosys-7AWYyz/yosys-0.66/docs/source/yosys_internals/extending_yosys/extensions`, line 44.)

 **Todo**


add/expand supporting text

(The [original entry](#) is located in `/build/yosys-7AWYyz/yosys-0.66/docs/source/yosys_internals/extending_yosys/extensions`, line 62.)

 **Todo**

replace inline code

(The [original entry](#) is located in `/build/yosys-7AWYyz/yosys-0.66/docs/source/yosys_internals/extending_yosys/extensions`, line 84.)

 **Todo**


use `my_cmd.cc` `literalincludes`

(The [original entry](#) is located in `/build/yosys-7AWYyz/yosys-0.66/docs/source/yosys_internals/extending_yosys/extensions`, line 171.)

 **Todo**


replace inline code

(The [original entry](#) is located in `/build/yosys-7AWYyz/yosys-0.66/docs/source/yosys_internals/extending_yosys/extensions`, line 213.)

 **Todo**


replace inline code

(The [original entry](#) is located in `/build/yosys-7AWYyz/yosys-0.66/docs/source/yosys_internals/extending_yosys/extensions`, line 228.)

 **Todo**


adding tests (makefile-tests vs seed-tests)

(The original entry is located in /build/yosys-7AWYyz/yosys-0.66/docs/source/yosys\_internals/extending\_yosys/test\_suites line 4.)

 **Todo**

less academic

(The original entry is located in /build/yosys-7AWYyz/yosys-0.66/docs/source/yosys\_internals/flow/control\_and\_data.rst, line 4.)

 **Todo**

less academic

(The original entry is located in /build/yosys-7AWYyz/yosys-0.66/docs/source/yosys\_internals/flow/overview.rst, line 4.)

 **Todo**

Synthesizing Verilog arrays

Add some information on the generation of *\$memrd* and *\$memwr* cells and how they are processed in the memory pass.


(The original entry is located in /build/yosys-7AWYyz/yosys-0.66/docs/source/yosys\_internals/flow/verilog\_frontend.rst, line 648.)

 **Todo**

Synthesizing parametric designs


Add some information on the RTLIL::Module::derive() method and how it is used to synthesize parametric modules via the hierarchy pass.

(The original entry is located in /build/yosys-7AWYyz/yosys-0.66/docs/source/yosys\_internals/flow/verilog\_frontend.rst, line 654.)

 **Todo**

less academic

(The original entry is located in /build/yosys-7AWYyz/yosys-0.66/docs/source/yosys\_internals/index.rst, line 6.)

 **Todo**

add RISC-V core example

(The [original entry](#) is located in `/build/yosys-7AWYyz/yosys-0.66/docs/source/yosys_internals/index.rst`, line 18.)

 **Todo**

add/expand supporting text

(The [original entry](#) is located in `/build/yosys-7AWYyz/yosys-0.66/docs/source/yosys_internals/techmap.rst`, line 25.)



## WHAT IS YOSYS

Yosys began as a BSc thesis project by Claire Wolf intended to support synthesis for a CGRA (coarse-grained reconfigurable architecture). It then expanded into more general infrastructure for research on synthesis.

Modern Yosys has full support for the synthesizable subset of Verilog-2005 and has been described as “the GCC of hardware synthesis.” Freely available and [open source](#), Yosys finds use across hobbyist and commercial applications as well as academic.

### Note

Yosys is released under the ISC License:

A permissive license lets people do anything with your code with proper attribution and without warranty. The ISC license is functionally equivalent to the BSD 2-Clause and MIT licenses, removing some language that is no longer necessary.

Together with the place and route tool [nextpnr](#), Yosys can be used to program some FPGAs with a fully end-to-end open source flow (Lattice iCE40 and ECP5). It also does the synthesis portion for the [OpenLane flow](#), targeting the SkyWater 130nm open source PDK for fully open source ASIC design. Yosys can also do formal verification with backends for solver formats like [SMT2](#).

Yosys, and the accompanying Open Source EDA ecosystem, is currently maintained by [Yosys Headquarters](#), with many of the core developers employed by [YosysHQ GmbH](#). A commercial extension, [Tabby CAD Suite](#), includes the Verific frontend for industry-grade SystemVerilog and VHDL support, formal verification with SVA, and formal apps.



### 1.1 What you can do with Yosys

- Read and process (most of) modern Verilog-2005 code
- Perform all kinds of operations on netlist (RTL, Logic, Gate)
- Perform logic optimizations and gate mapping with ABC

### 1.1.1 Typical applications for Yosys

- Synthesis of final production designs
- Pre-production synthesis (trial runs before investing in other tools)
- Conversion of full-featured Verilog to simple Verilog
- Conversion of Verilog to other formats (BLIF, BTOR, etc)
- Demonstrating synthesis algorithms (e.g. for educational purposes)
- Framework for experimenting with new algorithms
- Framework for building custom flows (Not limited to synthesis but also formal verification, reverse engineering, ...)

### 1.1.2 Things you can't do

- Process high-level languages such as C/C++/SystemC
- Create physical layouts (place&route)
  - Check out [nextpnr](#) for that
- Rely on built-in syntax checking
  - Use an external tool like [verilator](#) instead

#### Todo

[nextpnr](#) for FPGAs, consider mentioning [openlane](#), [vpr](#), [coriolis](#)

## 1.2 The Yosys family

As mentioned above, [YosysHQ](#) maintains not just Yosys but an entire family of tools built around it. In no particular order:

### **SBY for formal verification**

Yosys provides input parsing and conversion to the formats used by the solver engines. Yosys also provides a unified witness framework for providing cover traces and counter examples for engines which don't natively support this. [SBY source](#) | [SBY docs](#)

### **EQY for equivalence checking**

In addition to input parsing and preparation, Yosys provides the plugin support enabling EQY to operate on designs directly. [EQY source](#) | [EQY docs](#)

### **MCY for mutation coverage**

Yosys is used to read the source design, generate a list of possible mutations to maximise design coverage, and then perform selected mutations. [MCY source](#) | [MCY docs](#)

### **SCY for deep formal traces**

Since SCY generates and runs SBY, Yosys provides the same utility for SCY as it does for SBY. Yosys additionally provides the trace concatenation needed for outputting the deep traces. [SCY source](#)

## 1.3 The original thesis abstract

The first version of the Yosys documentation was published as a bachelor thesis at the Vienna University of Technology [Wol13].

### Abstract

Most of today's digital design is done in HDL code (mostly Verilog or VHDL) and with the help of HDL synthesis tools.

In special cases such as synthesis for coarse-grain cell libraries or when testing new synthesis algorithms it might be necessary to write a custom HDL synthesis tool or add new features to an existing one. In these cases the availability of a Free and Open Source (FOSS) synthesis tool that can be used as basis for custom tools would be helpful.

In the absence of such a tool, the Yosys Open SYnthesis Suite (Yosys) was developed. This document covers the design and implementation of this tool. At the moment the main focus of Yosys lies on the high-level aspects of digital synthesis. The pre-existing FOSS logic-synthesis tool ABC is used by Yosys to perform advanced gate-level optimizations.

An evaluation of Yosys based on real-world designs is included. It is shown that Yosys can be used as-is to synthesize such designs. The results produced by Yosys in this tests were successfully verified using formal verification and are comparable in quality to the results produced by a commercial synthesis tool.

Yosys is a Verilog HDL synthesis tool. This means that it takes a behavioural design description as input and generates an RTL, logical gate or physical gate level description of the design as output. Yosys' main strengths are behavioural and RTL synthesis. A wide range of commands (synthesis passes) exist within Yosys that can be used to perform a wide range of synthesis tasks within the domain of behavioural, rtl and logic synthesis. Yosys is designed to be extensible and therefore is a good basis for implementing custom synthesis tools for specialised tasks.

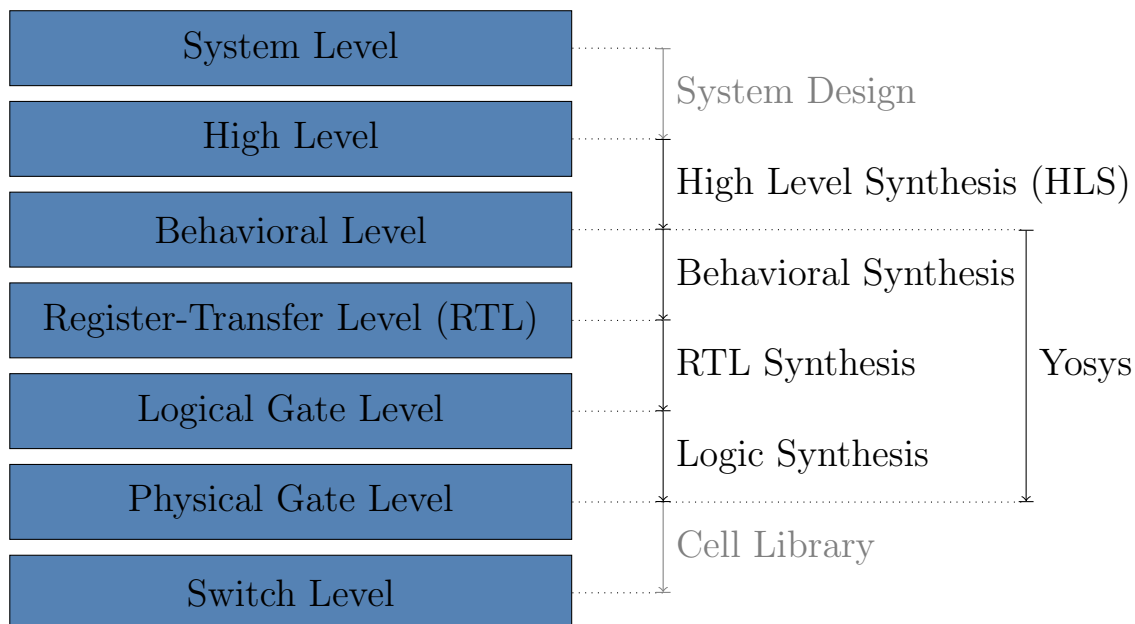


Fig. 1.1: Where Yosys exists in the layers of abstraction

### 1.3.1 Benefits of open source HDL synthesis

- Cost (also applies to **free as in free beer** solutions):

Today the cost for a mask set in 180nm technology is far less than the cost for the design tools needed to design the mask layouts. Open Source ASIC flows are an important enabler for ASIC-level Open Source Hardware.

- Availability and Reproducibility:

If you are a researcher who is publishing, you want to use tools that everyone else can also use. Even if most universities have access to all major commercial tools, you usually do not have easy access to the version that was used in a research project a couple of years ago. With Open Source tools you can even release the source code of the tool you have used alongside your data.

- Framework:

Yosys is not only a tool. It is a framework that can be used as basis for other developments, so researchers and hackers alike do not need to re-invent the basic functionality. Extensibility was one of Yosys' design goals.

- All-in-one:

Because of the framework characteristics of Yosys, an increasing number of features become available in one tool. Yosys not only can be used for circuit synthesis but also for formal equivalence checking, SAT solving, and for circuit analysis, to name just a few other application domains. With proprietary software one needs to learn a new tool for each of these applications.

- Educational Tool:

Proprietary synthesis tools are at times very secretive about their inner workings. They often are **black boxes**. Yosys is very open about its internals and it is easy to observe the different steps of synthesis.

### 1.3.2 History of Yosys

#### Todo

Consider a less academic version of the History of Yosys

A Hardware Description Language (HDL) is a computer language used to describe circuits. A HDL synthesis tool is a computer program that takes a formal description of a circuit written in an HDL as input and generates a netlist that implements the given circuit as output.

Currently the most widely used and supported HDLs for digital circuits are Verilog [A+02, A+06] and VHDL (VHSIC HDL, where VHSIC is an acronym for Very-High-Speed Integrated Circuits) [A+04, A+09]. Both HDLs are used for test and verification purposes as well as logic synthesis, resulting in a set of synthesizable and a set of non-synthesizable language features. In this document we only look at the synthesizable subset of the language features.

In recent work on heterogeneous coarse-grain reconfigurable logic [WGS+12] the need for a custom application-specific HDL synthesis tool emerged. It was soon realised that a synthesis tool that understood Verilog or VHDL would be preferred over a synthesis tool for a custom HDL. Given an existing Verilog or VHDL front end, the work for writing the necessary additional features and integrating them in an existing tool can be estimated to be about the same as writing a new tool with support for a minimalistic custom HDL.

The proposed custom HDL synthesis tool should be licensed under a Free and Open Source Software (FOSS) licence. So an existing FOSS Verilog or VHDL synthesis tool would have been needed as basis to build upon.

The main advantages of choosing Verilog or VHDL is the ability to synthesize existing HDL code and to mitigate the requirement for circuit-designers to learn a new language. In order to take full advantage of any existing FOSS Verilog or VHDL tool, such a tool would have to provide a feature-complete implementation of the synthesizable HDL subset.

Basic RTL synthesis is a well understood field [HS96]. Lexing, parsing and processing of computer languages [ASU86] is a thoroughly researched field. All the information required to write such tools has been openly available for a long time, and it is therefore likely that a FOSS HDL synthesis tool with a feature-complete Verilog or VHDL front end must exist which can be used as a basis for a custom RTL synthesis tool.

Due to the author's preference for Verilog over VHDL it was decided early on to go for Verilog instead of VHDL<sup>1</sup>. So the existing FOSS Verilog synthesis tools were evaluated. The results of this evaluation are utterly devastating. Therefore a completely new Verilog synthesis tool was implemented and is recommended as basis for custom synthesis tools. This is the tool that is discussed in this document.

---

<sup>1</sup> A quick investigation into FOSS VHDL tools yielded similar grim results for FOSS VHDL synthesis tools.



## GETTING STARTED WITH YOSYS

This section covers how to get started with Yosys, from installation to a guided walkthrough of synthesizing a design for hardware, and finishing with an introduction to writing re-usable Yosys scripts.

### 2.1 Installation

This document will guide you through the process of installing Yosys.

#### 2.1.1 CAD suite(s)

Yosys is part of the [Tabby CAD Suite](#) and the [OSS CAD Suite](#)! The easiest way to use yosys is to install the binary software suite, which contains all required dependencies and related tools.

- [Contact YosysHQ](#) for a [Tabby CAD Suite Evaluation License](#) and download link
- OR go to <https://github.com/YosysHQ/oss-cad-suite-build/releases> to download the free OSS CAD Suite
- Follow the [Install Instructions on GitHub](#)

Make sure to get a [Tabby CAD Suite Evaluation License](#) if you need features such as industry-grade SystemVerilog and VHDL parsers!

For more information about the difference between [Tabby CAD Suite](#) and the [OSS CAD Suite](#), please visit <https://www.yosyshq.com/tabby-cad-datasheet>

Many Linux distributions also provide Yosys binaries, some more up to date than others. Check with your package manager!

#### Targeted architectures

The [OSS CAD Suite](#) releases [nightly builds](#) for the following architectures:

- **linux-x64** - Most personal Linux based computers
- **darwin-x64** - macOS 12 or later with Intel CPU
- **darwin-arm64** - macOS 12 or later with M1/M2 CPU
- **windows-x64** - Targeted for Windows 10 and 11
- **linux-arm64** - Devices such as Raspberry Pi with 64bit OS

For more information about the targeted architectures, and the current build status, check the [OSS CAD Suite](#) git repository.

### 2.1.2 Building from source

The Yosys source files can be obtained from the [YosysHQ/Yosys git repository](https://github.com/YosysHQ/Yosys). ABC and some of the other libraries used are included as git submodules. To clone these submodules at the same time, use e.g.:

```
git clone --recurse-submodules https://github.com/YosysHQ/yosys.git # ..or..
git clone https://github.com/YosysHQ/yosys.git
cd yosys
git submodule update --init --recursive
```

#### Note

As of Yosys v0.47, releases include a `yosys.tar.gz` file which includes all source code and all sub-modules in a single archive. This can be used as an alternative which does not rely on `git`.

### Supported platforms

The following platforms are supported and regularly tested:

- Linux
- macOS

Other platforms which may work, but instructions may not be up to date and are not regularly tested:

- FreeBSD
- WSL
- Windows with (e.g.) Cygwin

### Build prerequisites

A C++ compiler with C++20 support is required as well as some standard tools such as GNU Flex, GNU Bison ( $\geq 3.8$ ), Make, and Python ( $\geq 3.11$ ). Some additional tools: `readline`, `libffi`, `Tcl` and `zlib`; are optional but enabled by default (see `ENABLE_*` settings in `Makefile`). `Graphviz` and `Xdot` are used by the `show` command to display schematics.

Installing all prerequisites:

```
sudo apt-get install gawk git make python3 lld bison clang flex \
  libffi-dev libfl-dev libreadline-dev pkg-config tcl-dev zlib1g-dev \
  graphviz xdot
curl -Lsf https://astral.sh/uv/install.sh | sh
```

```
brew tap Homebrew/bundle && brew bundle
```

```
sudo port install bison flex readline gawk libffi graphviz \
  pkgconfig python311 zlib tcl
```

```
pkg install bison flex readline gawk libffi graphviz \
  pkgconf python311 tcl-wrapper
```

**Note**

On FreeBSD system use `gmake` instead of `make`. To run tests use: `MAKE=gmake CXX=cxx CC=cc gmake test`

Use the following command to install all prerequisites, or select these additional packages:

```
setup-x86_64.exe -q --packages=bison,flex,gcc-core,gcc-g++,git,libffi-devel,libreadline-
↳devel,make,pkg-config,python3,tcl-devel,zlib-devel
```

**Warning**

As of this writing, Cygwin only supports up to Python 3.9.16 while the minimum required version of Python is 3.11. This means that Cygwin is not compatible with many of the Python-based frontends. While this does not currently prevent Yosys itself from working, no guarantees are made for continued support. You may also need to specify `CXXSTD=gnu++17` to resolve missing `strdup` function when using gcc. It is instead recommended to use Windows Subsystem for Linux (WSL) and follow the instructions for Ubuntu.

**Build configuration**

The Yosys build is based solely on Makefiles, and uses a number of variables which influence the build process. The recommended method for configuring builds is with a `Makefile.conf` file in the root `yosys` directory. The following commands will clean the directory and provide an initial configuration file:

```
make config-clang    # ..or..
make config-gcc
```

Check the root Makefile to see what other configuration targets are available. Other variables can then be added to the `Makefile.conf` as needed, for example:

```
echo "ENABLE_ZLIB := 0" >> Makefile.conf
```

Using one of these targets will set the `CONFIG` variable to something other than `none`, and will override the environment variable for `CXX`. To use a different compiler than the default when building, use:

```
make CXX=$CXX      # ..or..
make CXX="g++-11"
```

**Note**

Setting the compiler in this way will prevent some other options such as `ENABLE_CCACHE` from working as expected.

If you have clang, and (a compatible version of) `ld.lld` available in `PATH`, it's recommended to speed up incremental builds with `lld` by enabling LTO with `ENABLE_LTO=1`. On macOS, LTO requires using clang from homebrew rather than clang from xcode. For example:

```
make ENABLE_LTO=1 CXX=$(brew --prefix)/opt/llvm/bin/clang++
```

By default, building (and installing) yosys will build (and install) `ABC`, using `yosys-abc` as the executable name. To use an existing ABC executable instead, set the `ABCEXTERNAL` make variable to point to the desired executable.

### Running the build system

From the root yosys directory, call the following commands:

```
make
sudo make install
```

To use a separate (out-of-tree) build directory, provide a path to the Makefile.

```
mkdir build; cd build
make -f ../Makefile
```

Out-of-tree builds require a clean source tree.

#### See also

Refer to *Testing Yosys* for details on testing Yosys once compiled.

## 2.1.3 Source tree and build system

The Yosys source tree is organized into the following top-level directories:

### **backends/**

This directory contains a subdirectory for each of the backend modules.

### **docs/**

Contains the source for this documentation, including images and sample code.

### **examples/**

Contains example code for using Yosys with some other tools including a demo of the Yosys Python api, and synthesizing for various toolchains such as Intel and Anlogic.

### **frontends/**

This directory contains a subdirectory for each of the frontend modules.

### **kernel/**

This directory contains all the core functionality of Yosys. This includes the functions and definitions for working with the RTLIL data structures (`rtlil.h/cc`), the `main()` function (`driver.cc`), the internal framework for generating log messages (`log.h/cc`), the internal framework for registering and calling passes (`register.h/cc`), some core commands that are not really passes (`select.cc`, `show.cc`, ...) and a couple of other small utility libraries.

### **libs/**

Libraries packaged with Yosys builds are contained in this folder. See *Auxiliary libraries*.

### **misc/**

Other miscellany which doesn't fit anywhere else.

### **passes/**

This directory contains a subdirectory for each pass or group of passes. For example as of this writing the directory `passes/hierarchy/` contains the code for three passes: *hierarchy*, *submod*, and *uniquify*.

**techlibs/**

This directory contains simulation models and standard implementations for the cells from the internal cell library.

**tests/**

This directory contains the suite of unit tests and regression tests used by Yosys. See *Testing Yosys*.

The top-level Makefile includes `frontends/*/Makefile.inc`, `passes/*/Makefile.inc` and `backends/*/Makefile.inc`. So when extending Yosys it is enough to create a new directory in `frontends/`, `passes/` or `backends/` with your sources and a `Makefile.inc`. The Yosys kernel automatically detects all commands linked with Yosys. So it is not needed to add additional commands to a central list of commands.

Good starting points for reading example source code to learn how to write passes are `passes/opt/opt_dff.cc` and `passes/opt/opt_merge.cc`.

Users of the Qt Creator IDE can generate a QT Creator project file using `make qtcreator`. Users of the Eclipse IDE can use the “Makefile Project with Existing Code” project type in the Eclipse “New Project” dialog (only available after the CDT plugin has been installed) to create an Eclipse project in order to programming extensions to Yosys or just browse the Yosys code base.

## 2.2 Synthesis starter

This page will be a guided walkthrough of the prepackaged iCE40 FPGA synthesis script - `synth_ice40`. We will take a simple design through each step, looking at the commands being called and what they do to the design. While `synth_ice40` is specific to the iCE40 platform, most of the operations we will be discussing are common across the majority of FPGA synthesis scripts. Thus, this document will provide a good foundational understanding of how synthesis in Yosys is performed, regardless of the actual architecture being used.

### See also

Advanced usage docs for *Synth commands*

### 2.2.1 Demo design

First, let’s quickly look at the design we’ll be synthesizing:

#### Todo

reconsider including the whole (~77 line) design like this

Listing 2.1: `fifo.v`

```

1 // address generator/counter
2 module addr_gen
3 #( parameter MAX_DATA=256,
4     localparam AWIDTH = $clog2(MAX_DATA)
5 ) ( input en, clk, rst,
6     output reg [AWIDTH-1:0] addr
7 );
8     initial addr = 0;
9

```

(continues on next page)

(continued from previous page)

```
10 // async reset
11 // increment address when enabled
12 always @(posedge clk or posedge rst)
13     if (rst)
14         addr <= 0;
15     else if (en) begin
16         if ({'0, addr} == MAX_DATA-1)
17             addr <= 0;
18         else
19             addr <= addr + 1;
20     end
21 endmodule //addr_gen
22
23 // Define our top level fifo entity
24 module fifo
25 #( parameter MAX_DATA=256,
26     localparam AWIDTH = $clog2(MAX_DATA)
27 ) ( input wen, ren, clk, rst,
28     input [7:0] wdata,
29     output reg [7:0] rdata,
30     output reg [AWIDTH:0] count
31 );
32 // fifo storage
33 // sync read before write
34 wire [AWIDTH-1:0] waddr, raddr;
35 reg [7:0] data [MAX_DATA-1:0];
36 always @(posedge clk) begin
37     if (wen)
38         data[waddr] <= wdata;
39     rdata <= data[raddr];
40 end // storage
41
42 // addr_gen for both write and read addresses
43 addr_gen #(.MAX_DATA(MAX_DATA))
44 fifo_writer (
45     .en      (wen),
46     .clk     (clk),
47     .rst     (rst),
48     .addr    (waddr)
49 );
50
51 addr_gen #(.MAX_DATA(MAX_DATA))
52 fifo_reader (
53     .en      (ren),
54     .clk     (clk),
55     .rst     (rst),
56     .addr    (raddr)
57 );
58
59 // status signals
60 initial count = 0;
61
```


(continues on next page)

(continued from previous page)

```

62     always @(posedge clk or posedge rst) begin
63         if (rst)
64             count <= 0;
65         else if (wen && !ren)
66             count <= count + 1;
67         else if (ren && !wen)
68             count <= count - 1;
69     end
70
71 endmodule

```

 **Todo**

fifo.v description

While the open source *read\_verilog* frontend generally does a pretty good job at processing valid Verilog input, it does not provide very good error handling or reporting. Using an external tool such as *verilator* before running Yosys is highly recommended. We can quickly check the Verilog syntax of our design by calling `verilator --lint-only fifo.v`.

## 2.2.2 Loading the design

Let's load the design into Yosys. From the command line, we can call `yosys fifo.v`. This will open an interactive Yosys shell session and immediately parse the code from *fifo.v* and convert it into an Abstract Syntax Tree (AST). If you are interested in how this happens, there is more information in the document, *The Verilog and AST frontends*. For now, suffice it to say that we do this to simplify further processing of the design. You should see something like the following:

```

$ yosys fifo.v

-- Parsing `fifo.v' using frontend ` -vlog2k' --

1. Executing Verilog-2005 frontend: fifo.v
Parsing Verilog input from `fifo.v' to AST representation.
Storing AST representation for module `$abstract\addr_gen'.
Storing AST representation for module `$abstract\fifo'.
Successfully finished Verilog frontend.

```

 **See also**Advanced usage docs for *Loading a design*

## 2.2.3 Elaboration

Now that we are in the interactive shell, we can call Yosys commands directly. Our overall goal is to call `synth_ice40 -top fifo`, but for now we can run each of the commands individually for a better sense of how each part contributes to the flow. We will also start with just a single module; `addr_gen`.

At the bottom of the *help* output for *synth\_ice40* is the complete list of commands called by this script. Let's start with the section labeled `begin`:

Listing 2.2: begin section

```
read_verilog -D ICE40_HX -lib -specify +/ice40/cells_sim.v
hierarchy -check -top <top>
proc
```

`read_verilog -D ICE40_HX -lib -specify +/ice40/cells_sim.v` loads the iCE40 cell models which allows us to include platform specific IP blocks in our design. PLLs are a common example of this, where we might need to reference `SB_PLL40_CORE` directly rather than being able to rely on mapping passes later. Since our simple design doesn't use any of these IP blocks, we can skip this command for now. Because these cell models will also be needed once we start mapping to hardware we will still need to load them later.

### Note

`+/` is a dynamic reference to the Yosys `share` directory. By default, this is `/usr/local/share/yosys`. If using a locally built version of Yosys from the source directory, this will be the `share` folder in the same directory.

## The `addr_gen` module

Since we're just getting started, let's instead begin with `hierarchy -top addr_gen`. This command declares that the top level module is `addr_gen`, and everything else can be discarded.

Listing 2.3: `addr_gen` module source

```
2 module addr_gen
3 #( parameter MAX_DATA=256,
4     localparam AWIDTH = $clog2(MAX_DATA)
5 ) ( input en, clk, rst,
6     output reg [AWIDTH-1:0] addr
7 );
8     initial addr = 0;
9
10    // async reset
11    // increment address when enabled
12    always @(posedge clk or posedge rst)
13        if (rst)
14            addr <= 0;
15        else if (en) begin
16            if ({'0, addr} == MAX_DATA-1)
17                addr <= 0;
18            else
19                addr <= addr + 1;
20        end
21 endmodule //addr_gen
```

### Note

`hierarchy` should always be the first command after the design has been read. By specifying the top module, `hierarchy` will also set the `(* top *)` attribute on it. This is used by other commands that need to know which module is the top.

Listing 2.4: `hierarchy -top addr_gen` output

```

yosys> hierarchy -top addr_gen

2. Executing HIERARCHY pass (managing design hierarchy).

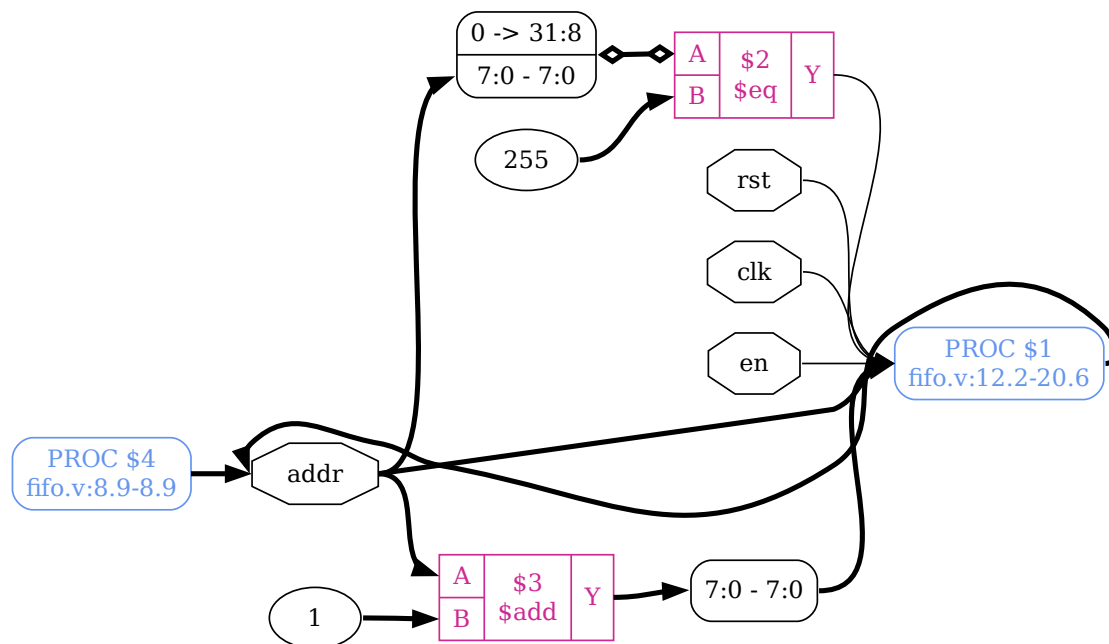
3. Executing AST frontend in derive mode using pre-parsed AST for module `addr_gen'.
Generating RTLIL representation for module `addr_gen'.

3.1. Analyzing design hierarchy..
Top module: `addr_gen'

3.2. Analyzing design hierarchy..
Top module: `addr_gen'
Removing unused module `abstractfifo'.
Removing unused module `abstractaddr_gen'.
Removed 2 unused modules.

```

Our `addr_gen` circuit now looks like this:

Fig. 2.1: `addr_gen` module after `hierarchy`

Simple operations like `addr + 1` and `addr == MAX_DATA-1` can be extracted from our `always @` block in `addr_gen module source`. This gives us the highlighted `$add` and `$eq` cells we see. But control logic (like the `if .. else`) and memory elements (like the `addr <= 0`) are not so straightforward. These get put into “processes”, shown in the schematic as PROC. Note how the second line refers to the line numbers of the start/end of the corresponding `always @` block. In the case of an `initial` block, we instead see the PROC referring to line 0.

To handle these, let us now introduce the next command: *proc - translate processes to netlists*. *proc* is a macro command like *synth\_ice40*. Rather than modifying the design directly, it instead calls a series of other commands. In the case of *proc*, these sub-commands work to convert the behavioral logic of processes into multiplexers and registers. Let's see what happens when we run it. For now, we will call *proc -noopt* to prevent some automatic optimizations which would normally happen.

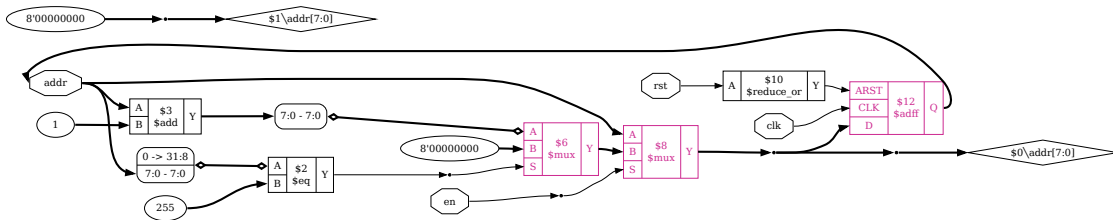


Fig. 2.2: *addr\_gen* module after *proc -noopt*

There are now a few new cells from our *always @*, which have been highlighted. The *if* statements are now modeled with *\$mux* cells, while the register uses an *\$dff* cell. If we look at the terminal output we can also see all of the different *proc\_\** commands being called. We will look at each of these in more detail in *Converting process blocks*.

Notice how in the top left of *addr\_gen module after proc -noopt* we have a floating wire, generated from the initial assignment of 0 to the *addr* wire. However, this initial assignment is not synthesizable, so this will need to be cleaned up before we can generate the physical hardware. We can do this now by calling *clean*. We're also going to call *opt\_expr* now, which would normally be called at the end of *proc*. We can call both commands at the same time by separating them with a colon and space: *opt\_expr; clean*.

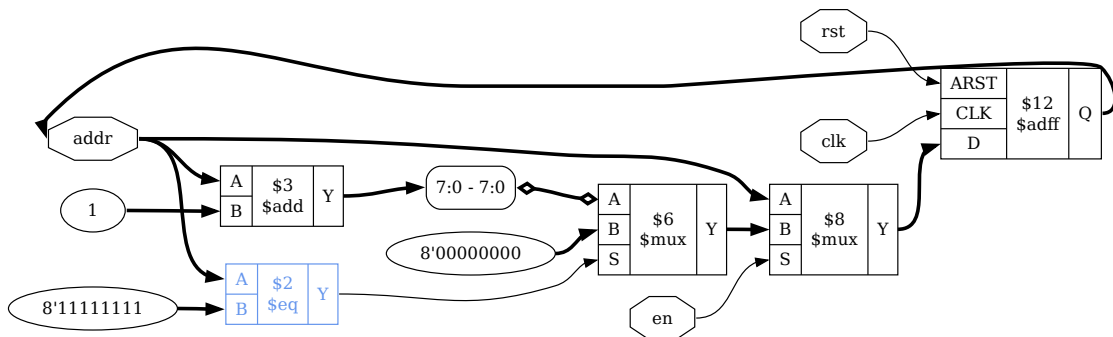


Fig. 2.3: *addr\_gen* module after *opt\_expr; clean*

You may also notice that the highlighted *\$eq* cell input of 255 has changed to 8'11111111. Constant values are presented in the format *<bit\_width>'<bits>*, with 32-bit values instead using the decimal number. This indicates that the constant input has been reduced from 32-bit wide to 8-bit wide. This is a side-effect of running *opt\_expr*, which performs constant folding and simple expression rewriting. For more on why this happens, refer to *Optimization passes* and the *section on opt\_expr*.

**Note**

*clean - remove unused cells and wires* can also be called with two semicolons after any command, for example we could have called `opt_expr;;` instead of `opt_expr; clean`. You may notice some scripts will end each line with `;;`. It is beneficial to run *clean* before inspecting intermediate products to remove disconnected parts of the circuit which have been left over, and in some cases can reduce the processing required in subsequent commands.

**Todo**

consider a brief glossary for terms like adff

**See also**

Advanced usage docs for

- *Converting process blocks*
- *Optimization passes*

**The full example**

Let's now go back and check on our full design by using `hierarchy -check -top fifo`. By passing the `-check` option there we are also telling the *hierarchy* command that if the design includes any non-blackbox modules without an implementation it should return an error.

Note that if we tried to run this command now then we would get an error. This is because we already removed all of the modules other than `addr_gen`. We could restart our shell session, but instead let's use two new commands:

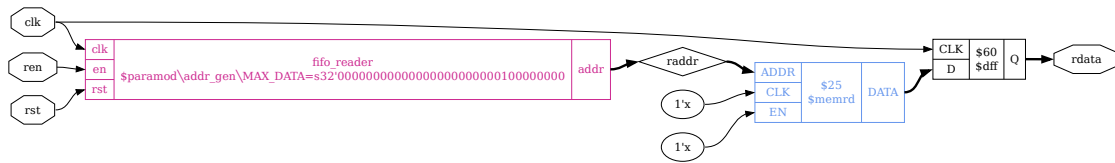
- *design - save, restore and reset current design*, and
- *read\_verilog - read modules from Verilog file*.

Listing 2.5: reloading `fifo.v` and running `hierarchy -check -top fifo`

```
yosys> design -reset
yosys> read_verilog fifo.v
11. Executing Verilog-2005 frontend: fifo.v
Parsing Verilog input from `fifo.v' to AST representation.
Generating RTLIL representation for module `addr_gen'.
Generating RTLIL representation for module `fifo'.
Successfully finished Verilog frontend.
yosys> hierarchy -check -top fifo
12. Executing HIERARCHY pass (managing design hierarchy).
12.1. Analyzing design hierarchy..
```

(continues on next page)



Fig. 2.4: rdata output after *proc*

looked at earlier. Notice how the type is shown as `$paramod\addr_gen\MAX_DATA=s32'...`. This is a “parametric module”: an instance of the `addr_gen` module with the `MAX_DATA` parameter set to the given value.

The other highlighted block is a `$memrd` cell. At this stage of synthesis we don’t yet know what type of memory is going to be implemented, but we *do* know that `rdata <= data[raddr]`; could be implemented as a read from memory. Note that the `$memrd` cell here is asynchronous, with both the clock and enable signal undefined; shown with the `1'x` inputs.

### ➔ See also

Advanced usage docs for *Converting process blocks*

## 2.2.4 Flattening

At this stage of a synthesis flow there are a few other commands we could run. In `synth_ice40` we get these:

Listing 2.6: flatten section

```
check
flatten
tribuf -logic
deminout
```

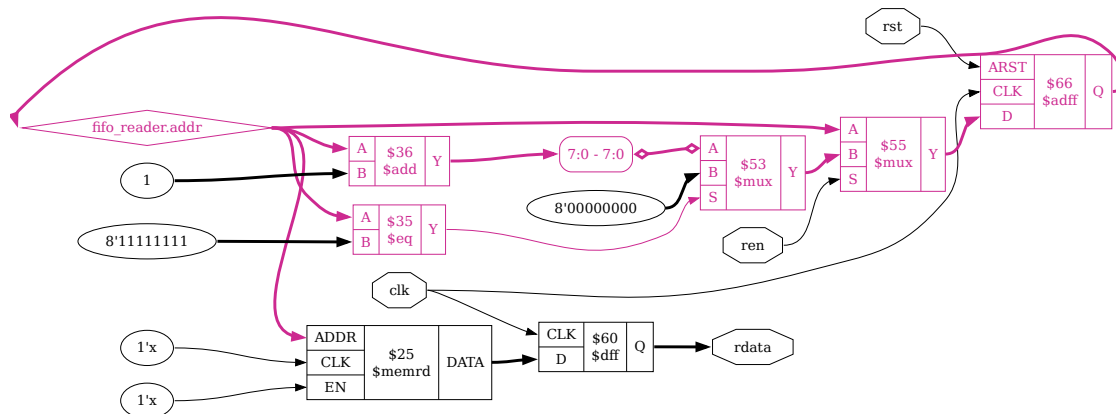
We start by running `check`. This doesn’t affect the design, but it can identify a few obvious problems which will cause errors later. Calling it here lets us fail faster rather than wasting time on something we know is impossible. Next up is `flatten`. Flattening the design like this can allow for optimizations between modules which would otherwise be missed. Let’s run `flatten;;` on our design.

Listing 2.7: output of flatten;;

```
yosys> flatten

15. Executing FLATTEN pass (flatten design).
Deleting now unused module $paramod\addr_gen\MAX_DATA=s32
↪ '0000000000000000000000000100000000.
<suppressed ~2 debug messages>

yosys> clean
Removed 3 unused cells and 28 unused wires.
```

Fig. 2.5: `rdata` output after `flatten;;`

The pieces have moved around a bit, but we can see `addr_gen module after proc -noopt` from earlier has replaced the `fifo_reader` block in `rdata output after proc`. We can also see that the `addr` output has been renamed to `fifo_reader.addr` and merged with the `raddr` wire feeding into the `$memrd` cell. This wire merging happened during the call to `clean` which we can see in the `output of flatten;;`

#### Note

`flatten` and `clean` would normally be combined into a single `yosys> flatten;;` output, but they appear separately here as a side effect of using `echo` for generating the terminal style output.

Depending on the target architecture, this stage of synthesis might also see commands such as `tribuf` with the `-logic` option and `deminout`. These remove tristate and inout constructs respectively, replacing them with logic suitable for mapping to an FPGA. Since we do not have any such constructs in our example running these commands does not change our design.

## 2.2.5 The coarse-grain representation

At this stage, the design is in coarse-grain representation. It still looks recognizable, and cells are word-level operators with parametrizable width. This is the stage of synthesis where we do things like const propagation, expression rewriting, and trimming unused parts of wires.

This is also where we convert our FSMs and hard blocks like DSPs or memories. Such elements have to be inferred from patterns in the design and there are special passes for each. Detection of these patterns can also be affected by optimizations and other transformations done previously.

**Note**

While the iCE40 flow had a *flatten section* and put *proc* in the *begin section*, some synthesis scripts will instead include these in this section.

**Part 1**

In the iCE40 flow, we start with the following commands:

Listing 2.8: *coarse* section (part 1)

```
opt_expr
opt_clean
check
opt -nodffe -nosdff
fsm
opt
```

We've already come across *opt\_expr* and *check*, and *opt\_clean* is the same as *clean* but with more verbose output. Next up is *opt -nodffe -nosdff* performing a set of simple optimizations on the design. This command also ensures that only a specific subset of FF types are included, in preparation for the next command: *fsm - extract and optimize finite state machines*. Both *opt* and *fsm* are macro commands which are explored in more detail in *Optimization passes* and *FSM handling* respectively.

Up until now, the data path for *rdata* has remained the same since *rdata output after flatten;*. However the next call to *opt* does cause a change. Specifically, the call to *opt\_dff* without the *-nodffe -nosdff* options is able to fold one of the *\$mux* cells into the *\$adff* to form an *\$adffe* cell; highlighted below:

Listing 2.9: output of *opt\_dff*

```
yosys> opt_dff
17. Executing OPT_DFF pass (perform DFF optimizations).
```

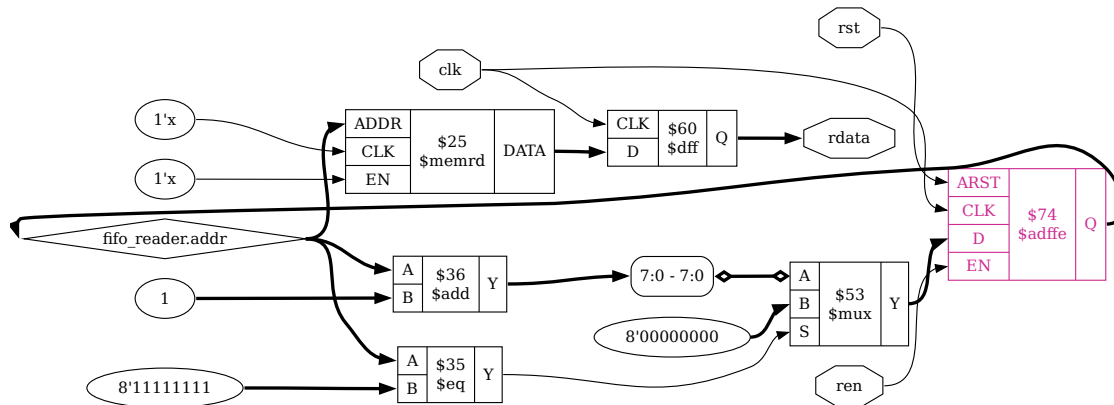
(continues on next page)

(continued from previous page)

```

Adding EN signal on $procdff$59 ($adff) from module fifo (D = $0\count[8:0], Q = \count).
Adding EN signal on $flatten\fifo_writer.$procdff$66 ($adff) from module fifo (D =
↪$flatten\fifo_writer.$procmux$53_Y, Q = \fifo_writer.addr).
Adding EN signal on $flatten\fifo_reader.$procdff$66 ($adff) from module fifo (D =
↪$flatten\fifo_reader.$procmux$53_Y, Q = \fifo_reader.addr).

```

Fig. 2.6: rdata output after *opt\_dff*

### ➔ See also

Advanced usage docs for

- *FSM handling*
- *Optimization passes*

## Part 2

The next group of commands performs a series of optimizations:

Listing 2.10: coarse section (part 2)

```

wreduce
peepopt
opt_clean
share
techmap
opt_expr
opt_clean
memory_dff

```

First up is *wreduce* - *reduce the word size of operations if possible*. If we run this we get the following:

Listing 2.11: output of *wreduce*

```

yosys> wreduce

19. Executing WREDUCE pass (reducing word size of cells).
Removed top 1 bits (of 2) from port B of cell fifo.$auto$opt_dff.cc:235:make_patterns_
↳logic$72 ($ne).
Removed top 31 bits (of 32) from port B of cell fifo.$add$fifo.v:66$29 ($add).
Removed top 23 bits (of 32) from port Y of cell fifo.$add$fifo.v:66$29 ($add).
Removed top 31 bits (of 32) from port B of cell fifo.$sub$fifo.v:68$32 ($sub).
Removed top 23 bits (of 32) from port Y of cell fifo.$sub$fifo.v:68$32 ($sub).
Removed cell fifo.$flatten\fifo_writer.$procmux$55 ($mux).
Removed top 31 bits (of 32) from port B of cell fifo.$flatten\fifo_writer.$add$fifo.v:19
↳$36 ($add).
Removed top 24 bits (of 32) from port Y of cell fifo.$flatten\fifo_writer.$add$fifo.v:19
↳$36 ($add).
Removed cell fifo.$flatten\fifo_reader.$procmux$55 ($mux).
Removed top 31 bits (of 32) from port B of cell fifo.$flatten\fifo_reader.$add$fifo.v:19
↳$36 ($add).
Removed top 24 bits (of 32) from port Y of cell fifo.$flatten\fifo_reader.$add$fifo.v:19
↳$36 ($add).
Removed top 24 bits (of 32) from wire fifo.$flatten\fifo_writer.$add$fifo.v:19$36_Y.
Removed top 23 bits (of 32) from wire fifo.$sub$fifo.v:68$32_Y.
Removed top 23 bits (of 32) from wire fifo.$add$fifo.v:66$29_Y.
Removed top 24 bits (of 32) from wire fifo.$flatten\fifo_reader.$add$fifo.v:19$36_Y.

yosys> show -notitle -format dot -prefix rdata_wreduce o:rdata %ci*

20. Generating Graphviz representation of design.
Writing dot description to `rdata_wreduce.dot'.
Dumping selected parts of module fifo to page 1.

yosys> opt_clean

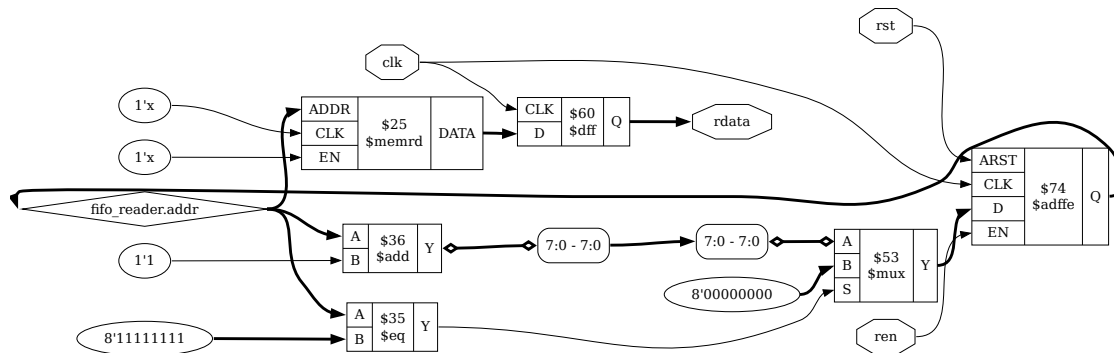
21. Executing OPT_CLEAN pass (remove unused cells and wires).
Finding unused cells or wires in module \fifo..
Removed 0 unused cells and 6 unused wires.
<suppressed ~1 debug messages>

yosys> memory_dff

22. Executing MEMORY_DFF pass (merging $dff cells to $memrd).
Checking read port `data'[0] in module `fifo': merging output FF to cell.
Write port 0: non-transparent.

```

Looking at the data path for `rdata`, the most relevant of these width reductions are the ones affecting `fifo.$flatten\fifo_reader.$add$fifo.v`. That is the `$add` cell incrementing the `fifo_reader` address. We can look at the schematic and see the output of that cell has now changed.

Fig. 2.7: rdata output after *wreduce*

### Todo

pending bugfix in *wreduce* and/or *opt\_clean*

The next two (new) commands are *peepopt* - collection of peephole optimizers and *share* - perform sat-based resource sharing. Neither of these affect our design, and they're explored in more detail in *Optimization passes*, so let's skip over them. `techmap -map +/cmp2lut.v -D LUT_WIDTH=4` optimizes certain comparison operators by converting them to LUTs instead. The usage of *techmap* is explored more in *Technology mapping*.

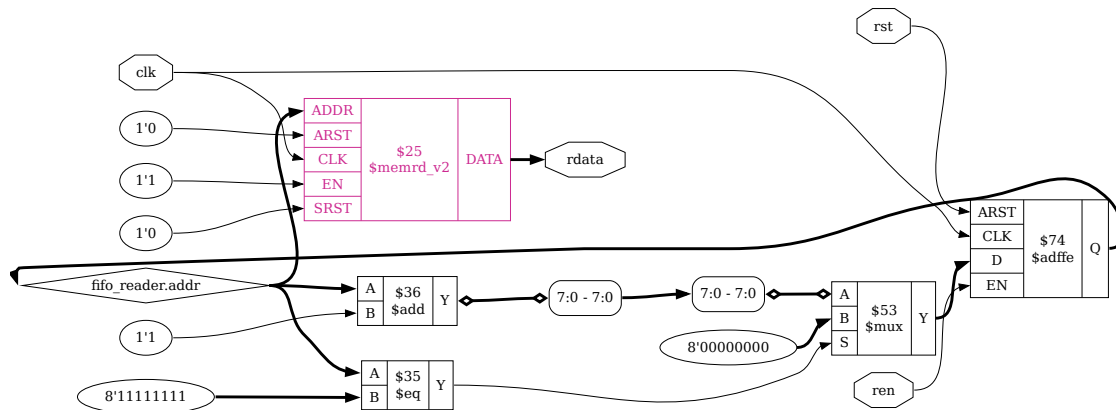
Our next command to run is *memory\_dff* - merge input/output DFFs into memory read ports.

Listing 2.12: output of *memory\_dff*

```
yosys> memory_dff
```

```
22. Executing MEMORY_DFF pass (merging $dff cells to $memrd).
Checking read port `data'[0] in module `fifo': merging output FF to cell.
Write port 0: non-transparent.
```

As the title suggests, *memory\_dff* has merged the output *\$dff* into the *\$memrd* cell and converted it to a *\$memrd\_v2* (highlighted). This has also connected the CLK port to the *clk* input as it is now a synchronous memory read with appropriate enable (*EN=1'1*) and reset (*ARST=1'0* and *SRST=1'0*) inputs.

Fig. 2.8: rdata output after *memory\_dff*

### ➔ See also

Advanced usage docs for

- *Optimization passes*
- *Technology mapping*
- *Memory handling*

### Part 3

The third part of the *synth\_ice40* flow is a series of commands for mapping to DSPs. By default, the iCE40 flow will not map to the hardware DSP blocks and will only be performed if called with the `-dsp` flag: `synth_ice40 -dsp`. While our example has nothing that could be mapped to DSPs we can still take a quick look at the commands here and describe what they do.

Listing 2.13: coarse section (part 3)

```
wreduce t:$mul
techmap
select a:mul2dsp
setattr -unset mul2dsp
opt_expr -fine
wreduce
select -clear
ice40_dsp
chtype -set $mul t:$__soft_mul
```

`wreduce t:$mul` performs width reduction again, this time targeting only cells of type `$mul`. `techmap -map +/mul2dsp.v -map +/ice40/dsp_map.v ... -D DSP_NAME=$__MUL16X16` uses *techmap* to map `$mul` cells to `$__MUL16X16` which are, in turn, mapped to the iCE40 SB\_MAC16. Any multipliers which aren't compatible with conversion to `$__MUL16X16` are relabelled to `$__soft_mul` before *chtype* changes them back to `$mul`.

During the `mul2dsp` conversion, some of the intermediate signals are marked with the attribute `mul2dsp`. By calling `select a:mul2dsp` we restrict the following commands to only operate on the cells and wires used for these signals. *setattr* removes the now unnecessary `mul2dsp` attribute. *opt\_expr* we've already

## 2.2. Synthesis starter

come across for const folding and simple expression rewriting, the `-fine` option just enables more fine-grain optimizations. Then we perform width reduction a final time and clear the selection.

#### Todo

`ice40_dsp` is pmgen

Finally we have `ice40_dsp`: similar to the `memory_dff` command we saw in the previous section, this merges any surrounding registers into the `SB_MAC16` cell. This includes not just the input/output registers, but also pipeline registers and even a post-adder where applicable: turning a multiply + add into a single multiply-accumulate.

#### See also

Advanced usage docs for *Technology mapping*

## Part 4

That brings us to the fourth and final part for the iCE40 synthesis flow:

Listing 2.14: coarse section (part 4)

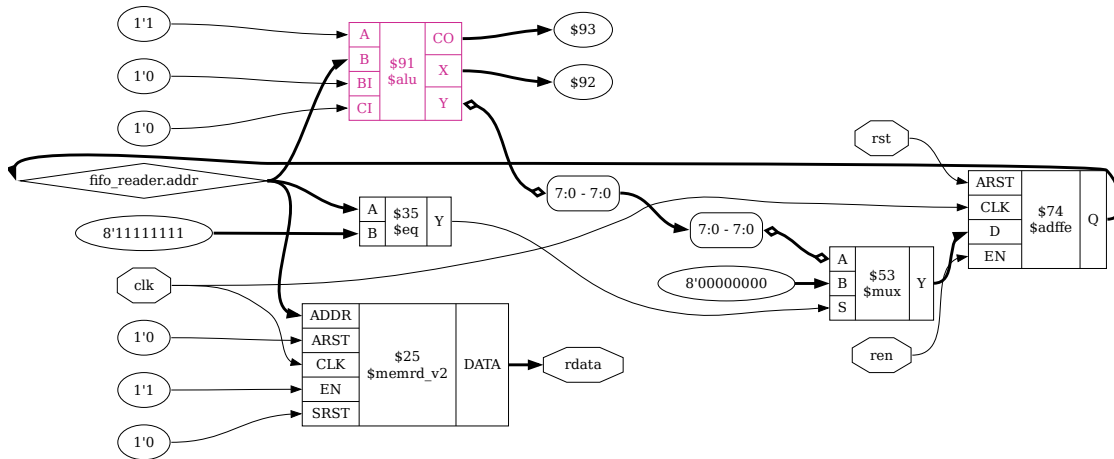
```
alumacc
opt
memory -nomap [-no-rw-check]
opt_clean
```

Where before each type of arithmetic operation had its own cell, e.g. `$add`, we now want to extract these into `$alu` and `$macc_v2` cells which can help identify opportunities for reusing logic. We do this by running `alumacc`, which we can see produce the following changes in our example design:

Listing 2.15: output of `alumacc`

```
yosys> alumacc

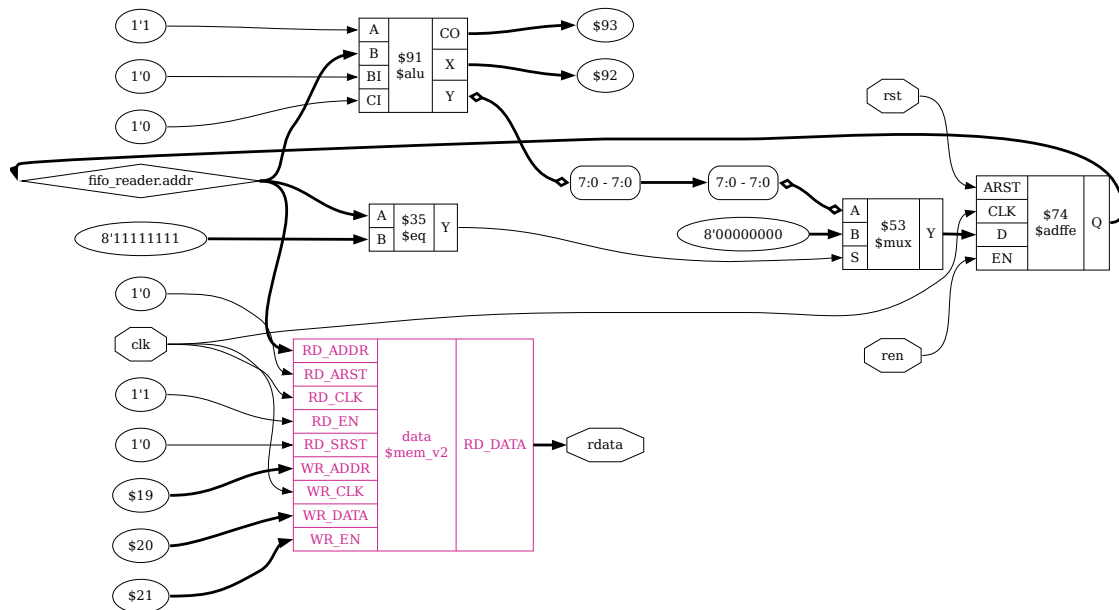
24. Executing ALUMACC pass (create $alu and $macc cells).
Extracting $alu and $macc cells in module fifo:
  creating $macc model for $flatten\fifo_writer.$add$fifo.v:19$36 ($add).
  creating $macc model for $flatten\fifo_reader.$add$fifo.v:19$36 ($add).
  creating $macc model for $sub$fifo.v:68$32 ($sub).
  creating $macc model for $add$fifo.v:66$29 ($add).
  creating $alu model for $macc $add$fifo.v:66$29.
  creating $alu model for $macc $sub$fifo.v:68$32.
  creating $alu model for $macc $flatten\fifo_reader.$add$fifo.v:19$36.
  creating $alu model for $macc $flatten\fifo_writer.$add$fifo.v:19$36.
  creating $alu cell for $flatten\fifo_writer.$add$fifo.v:19$36: $auto$alumacc.
→cc:512:replace_alu$88
  creating $alu cell for $flatten\fifo_reader.$add$fifo.v:19$36: $auto$alumacc.
→cc:512:replace_alu$91
  creating $alu cell for $sub$fifo.v:68$32: $auto$alumacc.cc:512:replace_alu$94
  creating $alu cell for $add$fifo.v:66$29: $auto$alumacc.cc:512:replace_alu$97
  created 4 $alu and 0 $macc cells.
```

Fig. 2.9: rdata output after *alumacc*

Once these cells have been inserted, the call to *opt* can combine cells which are now identical but may have been missed due to e.g. the difference between *\$add* and *\$sub*.

The other new command in this part is *memory - translate memories to basic cells*. *memory* is another macro command which we examine in more detail in *Memory handling*. For this document, let us focus just on the step most relevant to our example: *memory\_collect*. Up until this point, our memory reads and our memory writes have been totally disjoint cells; operating on the same memory only in the abstract. *memory\_collect* combines all of the reads and writes for a memory block into a single cell.

Looking at the schematic after running *memory\_collect* we see that our *\$memrd\_v2* cell has been replaced with a *\$mem\_v2* cell named *data*, the same name that we used in *fifo.v*. Where before we had a single set of signals for address and enable, we now have one set for reading (RD\_\*) and one for writing (WR\_\*), as well as both WR\_DATA input and RD\_DATA output.

Fig. 2.10: rdata output after *memory\_collect*

### ➔ See also

Advanced usage docs for

- *Optimization passes*
- *Memory handling*

### Final note

Having now reached the end of the coarse-grain representation, we could also have gotten here by running `synth_ice40 -top fifo -run :map_ram` after loading the design. The `-run <from_label>:<to_label>` option with an empty `<from_label>` starts from the *begin section*, while the `<to_label>` runs up to but including the *map\_ram section*.

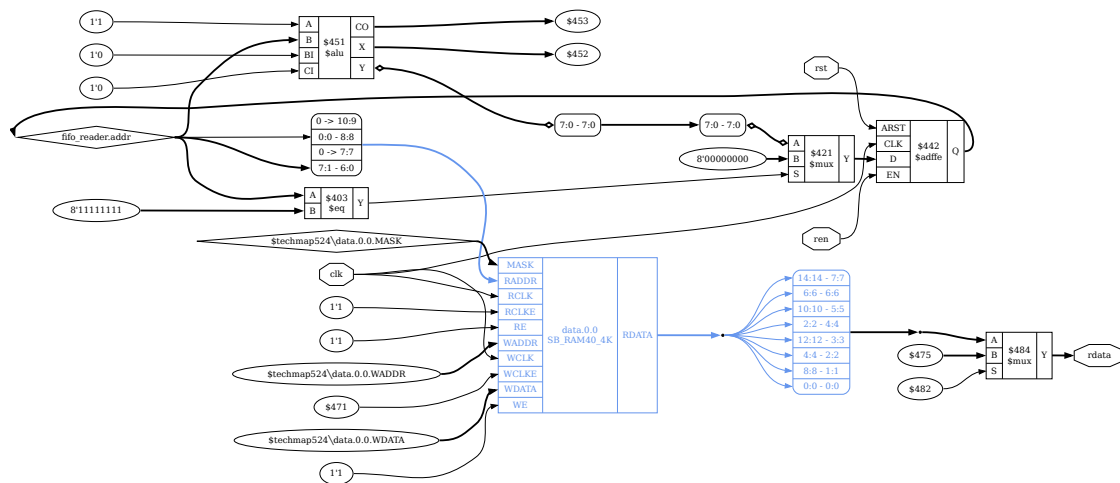
## 2.2.6 Hardware mapping

The remaining sections each map a different type of hardware and are much more architecture dependent than the previous sections. As such we will only be looking at each section very briefly.

If you skipped calling `read_verilog -D ICE40_HX -lib -specify +/ice40/cells_sim.v` earlier, do it now.

### Memory blocks

Mapping to hard memory blocks uses a combination of *memory\_libmap* and *techmap*.

Fig. 2.11: rdata output after *map\_ram* sectionListing 2.16: *map\_ram* section

```
memory_libmap
techmap
ice40_braminit
```

The *map\_ram* section converts the generic *\$mem\_v2* into the iCE40 SB\_RAM40\_4K (highlighted). We can also see the memory address has been remapped, and the data bits have been reordered (or swizzled). There is also now a *\$mux* cell controlling the value of *rdata*. In *fifo.v* we wrote our memory as read-before-write, however the SB\_RAM40\_4K has undefined behaviour when reading from and writing to the same address in the same cycle. As a result, extra logic is added so that the generated circuit matches the behaviour of the verilog. *Synchronous SDP with undefined collision behavior* describes how we could change our verilog to match our hardware instead.

If we run *memory\_libmap* under the *debug* command we can see candidates which were identified for mapping, along with the costs of each and what logic requires emulation.

```
yosys> debug memory_libmap -lib +/ice40/brams.txt -lib +/ice40/spram.txt -no-auto-huge
4. Executing MEMORY_LIBMAP pass (mapping memories to cells).
Memory fifo.data mapping candidates (post-geometry):
- logic fallback
  - cost: 2048.000000
- $__ICE40_RAM4K_:
  - option HAS_BE 0
  - emulation score: 7
  - replicates (for ports): 1
  - replicates (for data): 1
  - mux score: 0
  - demux score: 0
  - cost: 78.000000
```

(continues on next page)

(continued from previous page)

```

- abits 11 dbits 2 4 8 16
- chosen base width 8
- swizzle 0 1 2 3 4 5 6 7
- emulate read-first behavior
- write port 0: port group W
  - widths 2 4 8
- read port 0: port group R
  - widths 2 4 8 16
  - emulate transparency with write port 0
- $__ICE40_RAM4K_:
  - option HAS_BE 1
  - emulation score: 7
  - replicates (for ports): 1
  - replicates (for data): 1
  - mux score: 0
  - demux score: 0
  - cost: 78.000000
  - abits 11 dbits 2 4 8 16
  - byte width 1
  - chosen base width 8
  - swizzle 0 1 2 3 4 5 6 7
  - emulate read-first behavior
  - write port 0: port group W
    - widths 16
  - read port 0: port group R
    - widths 2 4 8 16
    - emulate transparency with write port 0
Memory fifo.data mapping candidates (after post-geometry prune):
- logic fallback
  - cost: 2048.000000
- $__ICE40_RAM4K_:
  - option HAS_BE 0
  - emulation score: 7
  - replicates (for ports): 1
  - replicates (for data): 1
  - mux score: 0
  - demux score: 0
  - cost: 78.000000
  - abits 11 dbits 2 4 8 16
  - chosen base width 8
  - swizzle 0 1 2 3 4 5 6 7
  - emulate read-first behavior
  - write port 0: port group W
    - widths 2 4 8
  - read port 0: port group R
    - widths 2 4 8 16
    - emulate transparency with write port 0
mapping memory fifo.data via $__ICE40_RAM4K_

```

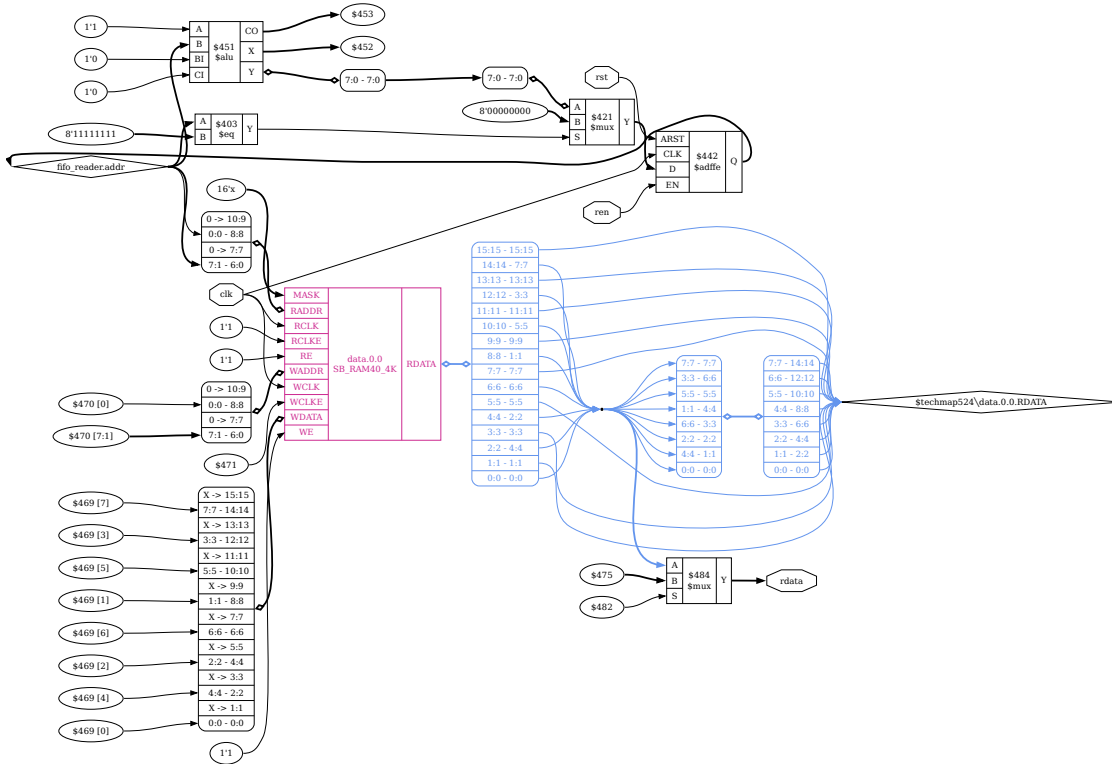
The `$__ICE40_RAM4K_` cell is defined in the file `techlibs/ice40/brams.txt`, with the mapping to `SB_RAM40_4K` done by `techmap` using `techlibs/ice40/brams_map.v`. Any leftover memory cells are then converted into flip flops (the logic fallback) with `memory_map`.

Listing 2.17: map\_ffram section

```


opt -fast -mux_undef -undriven -fine
memory_map
opt -undriven -fine

```

Fig. 2.12: rdata output after *map\_ffram* section

### Note

The visual clutter on the RDATA output port (highlighted) is an unfortunate side effect of *opt\_clean* on the swizzled data bits. In connecting the *\$mux* input port directly to RDATA to reduce the number of wires, the *\$techmap579\data.0.0.RDATA* wire becomes more visually complex.

 See also

Advanced usage docs for

- *Technology mapping*
- *Memory handling*

**Arithmetic**

Uses *techmap* to map basic arithmetic logic to hardware. This sees somewhat of an explosion in cells as multi-bit *\$mux* and *\$adffe* are replaced with single-bit *\$\_MUX\_* and *\$\_DFFE\_PPOP\_* cells, while the *\$alu* is replaced with primitive *\$\_OR\_* and *\$\_NOT\_* gates and a *\$lut* cell.

Listing 2.18: map\_gates section

```
ice40_wrapcarry
techmap
opt -fast
abc -dff -D 1
ice40_opt
```

 See also

Advanced usage docs for *Technology mapping*

**Flip-flops**

Convert FFs to the types supported in hardware with *dfflegalize*, and then use *techmap* to map them. In our example, this converts the *\$\_DFFE\_PPOP\_* cells to *SB\_DFFER*.

We also run *simplemap* here to convert any remaining cells which could not be mapped to hardware into gate-level primitives. This includes optimizing *\$\_MUX\_* cells where one of the inputs is a constant 1'0, replacing it instead with an *\$\_AND\_* cell.

Listing 2.19: map\_ffs section

```
dfflegalize
techmap
opt_expr -mux_undef
simplemap
ice40_opt -full
```

 See also

Advanced usage docs for *Technology mapping*

**LUTs**

*abc* and *techmap* are used to map LUTs; converting primitive cell types to use *\$lut* and *SB\_CARRY* cells. Note that the iCE40 flow uses *abc9* rather than *abc*. For more on what these do, and what the difference between these two commands are, refer to *The ABC toolbox*.

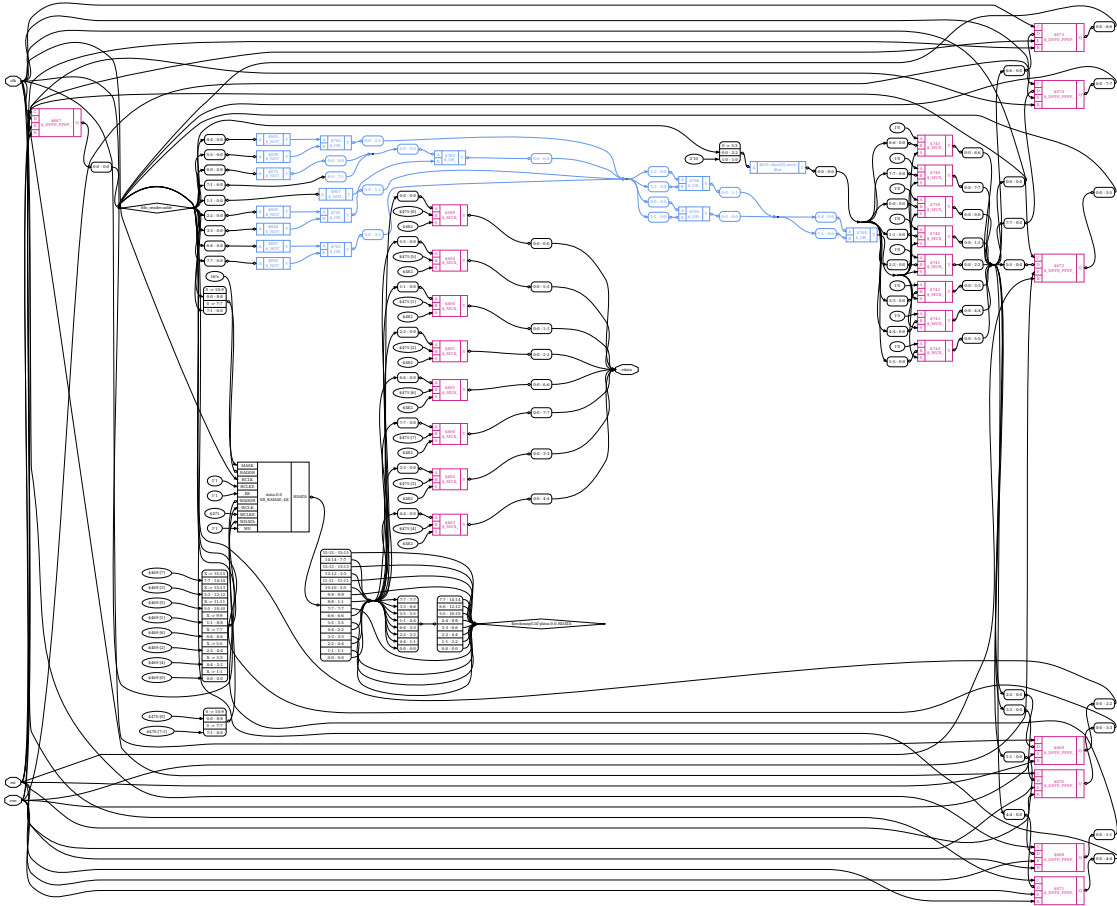


Fig. 2.13: rdata output after `map_gates` section

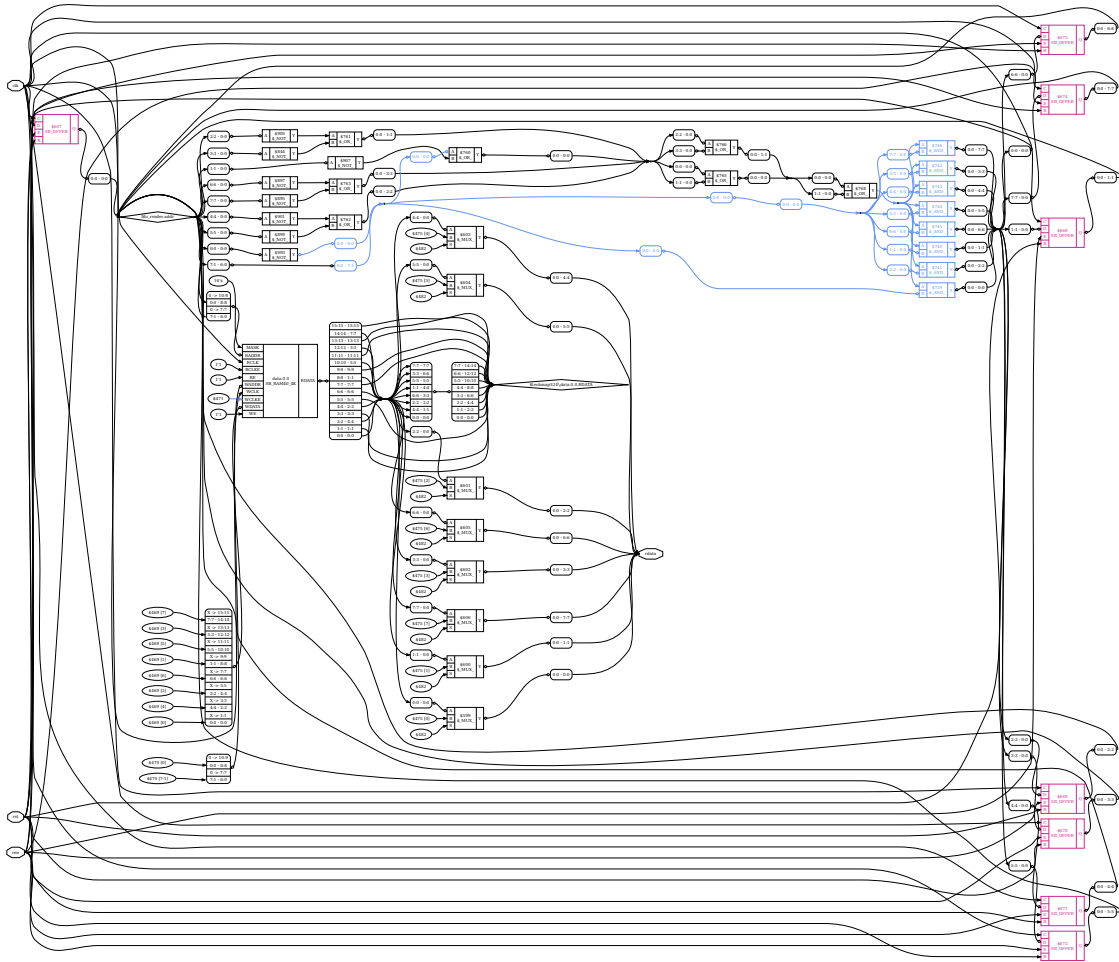


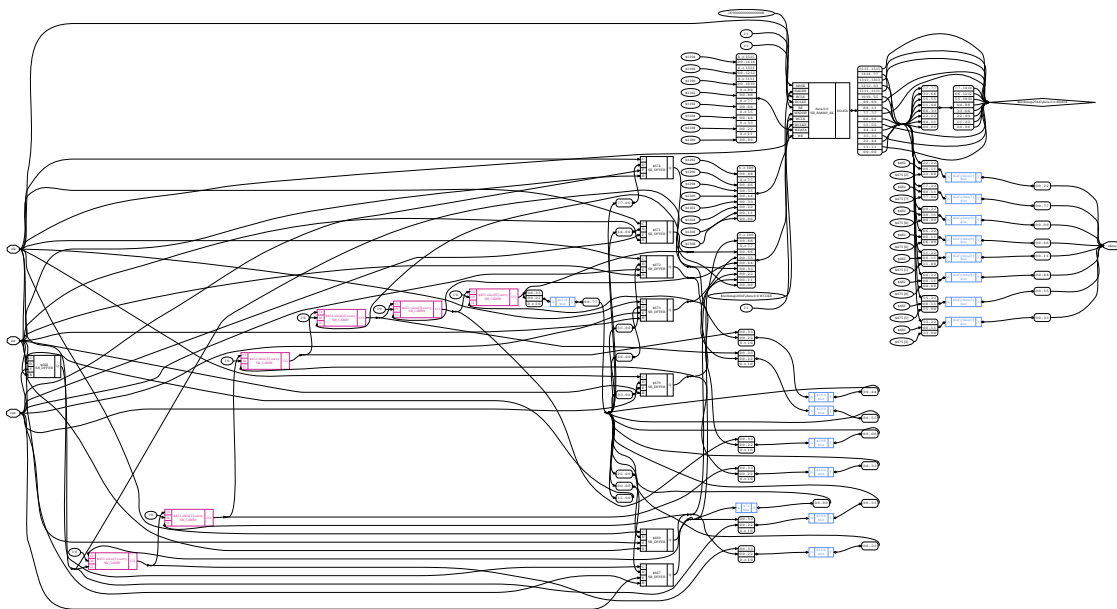
Fig. 2.14: rdata output after *map\_ffs* section

Listing 2.20: map\_luts section

```

abc
ice40_opt
techmap
simplemap
techmap
flowmap
read_verilog
abc9
ice40_wrapcarry -unwrap
techmap
clean
opt_lut -tech ice40

```

Fig. 2.15: rdata output after *map\_luts* section

Finally we use *techmap* to map the generic *\$lut* cells to iCE40 SB\_LUT4 cells.

Listing 2.21: map\_cells section

```

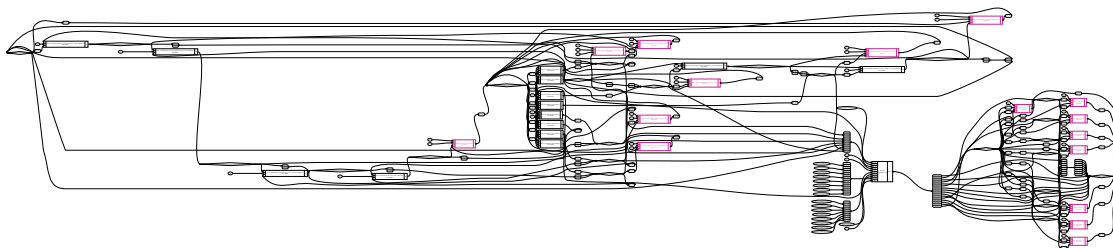
techmap
clean

```

### ➔ See also

Advanced usage docs for

- *Technology mapping*

Fig. 2.16: rdata output after *map\_cells* section

- *The ABC toolbox*

### Other cells

The following commands may also be used for mapping other cells:

#### *hilomap*

Some architectures require special driver cells for driving a constant hi or lo value. This command replaces simple constants with instances of such driver cells.

#### *iopadmap*

Top-level input/outputs must usually be implemented using special I/O-pad cells. This command inserts such cells to the design.

These commands tend to either be in the *map\_cells* section or after the *check* section depending on the flow.

## 2.2.7 Final steps

The next section of the iCE40 synth flow performs some sanity checking and final tidy up:

Listing 2.22: check section

```
autoname
hierarchy -check
stat
check -noinit
blackbox =A:whitebox
```

The new commands here are:

- *autoname* - automatically assign names to objects,
- *stat* - print some statistics, and
- *blackbox* - convert modules into blackbox modules.

The output from *stat* is useful for checking resource utilization; providing a list of cells used in the design and the number of each, as well as the number of other resources used such as wires and processes. For this design, the final call to *stat* should look something like the following:

```

yosys> stat -top fifo

17. Printing statistics.

=== fifo ===

      +-----Local Count, excluding submodules.
      |
      95 wires
      264 wire bits
      95 public wires
      264 public wire bits
      7 ports
      29 port bits
      138 cells
      2  $scopeinfo
      26  SB_CARRY
      26  SB_DFF
      25  SB_DFFER
      58  SB_LUT4
      1  SB_RAM40_4K

```

Note that the `-top fifo` here is optional. `stat` will automatically use the module with the `top` attribute set, which `fifo` was when we called `hierarchy`. If no module is marked `top`, then stats will be shown for each module selected.

The `stat` output is also useful as a kind of sanity-check: Since we have already run `proc`, we wouldn't expect there to be any processes. We also expect `data` to use hard memory; if instead of an `SB_RAM40_4K` saw a high number of flip-flops being used we might suspect something was wrong.

If we instead called `stat` immediately after `read_verilog fifo.v` we would see something very different:

```

yosys> stat

2. Printing statistics.

=== fifo ===

      +-----Local Count, excluding submodules.
      |
      28 wires
      219 wire bits
      9 public wires
      45 public wire bits
      7 ports
      29 port bits
      1 memories
      2048 memory bits
      3 processes
      7 cells
      1  $add
      2  $logic_and
      2  $logic_not
      1  $memrd

```

(continues on next page)

(continued from previous page)

```

1  $sub
2  submodules
2  addr_gen

=== addr_gen ===

+-----Local Count, excluding submodules.
|
8 wires
60 wire bits
4 public wires
11 public wire bits
4 ports
11 port bits
2 processes
2 cells
1  $add
1  $eq

```

Notice how `fifo` and `addr_gen` are listed separately, and the statistics for `fifo` show 2 `addr_gen` modules. Because this is before the memory has been mapped, we also see that there is 1 memory with 2048 memory bits; matching our 8-bit wide data memory with 256 values ( $8 * 256 = 2048$ ).

### Synthesis output

The iCE40 synthesis flow has the following output modes available:

- `write_blif`,
- `write_edif`, and
- `write_json`.

As an example, if we called `synth_ice40 -top fifo -json fifo.json`, our synthesized `fifo` design will be output as `fifo.json`. We can then read the design back into Yosys with `read_json`, but make sure you use `design -reset` or open a new interactive terminal first. The JSON output we get can also be loaded into `nextpnr` to do place and route; but that is beyond the scope of this documentation.

#### See also

*synth\_ice40 - synthesis for iCE40 FPGAs*

## 2.3 Scripting in Yosys

On the previous page we went through a synthesis script, running each command in the interactive Yosys shell. On this page, we will be introducing the script file format and how you can make your own synthesis scripts.

Yosys script files typically use the `.ys` extension and contain a set of commands for Yosys to run sequentially. These commands are the same ones we were using on the previous page like `read_verilog` and `hierarchy`.

### 2.3.1 Script parsing

As with the interactive shell, each command consists of the command name, and an optional whitespace separated list of arguments. Commands are terminated with the newline character, and anything after a hash sign # is a comment (i.e. it is ignored).

It is also possible to terminate commands with a semicolon ;. This is particularly useful in conjunction with the `-p <command>` command line option, where `<command>` can be a string with multiple commands separated by semicolon. In-line comments can also be made with the colon :, where the end of the comment is a semicolon ; or a new line.

Listing 2.23: Using the `-p` option

```
$ yosys -p 'read_verilog fifo.v; :this is a comment; prep'
```

#### ⚠ Warning

The space after the semicolon is required for correct parsing. `log a;log b;` for example will display `a;log b` instead of `a` and `b` as might be expected.

Another special character that can be used in Yosys scripts is the bang !. Anything after the bang will be executed as a shell command. This can only be terminated with a new line. Any semicolons, hashes, or other special characters will be passed to the shell. If an error code is returned from the shell it will be raised by Yosys. `exec` provides a much more flexible way of executing commands, allowing the output to be logged and more control over when to generate errors.

#### ⚠ Warning

Take care when using the `yosys -p` option. Some shells such as `bash` will perform substitution options inside of a double quoted string, such as `!` for history substitution and `$` for variable substitution; single quotes should be used instead to pass the string to Yosys without substitution.

### 2.3.2 The synthesis starter script

All of the images and console output used in *Synthesis starter* were generated by Yosys, using Yosys script files found in `docs/source/code_examples/fifo`. If you haven't already, let's take a look at some of those script files now.

Listing 2.24: A section of `fifo.y`, generating the images used for  
*The addr\_gen module*

```
10 echo on
11 hierarchy -top addr_gen
12 select -module addr_gen
13 select -list
14 select t:*
15 select -list
16 select -set new_cells %
17 select -clear
18 show -format dot -prefix addr_gen_show addr_gen
19 show -format dot -prefix new_cells_show -notitle @new_cells
20 show -color maroon3 @new_cells -color cornflowerblue p:* -notitle -format dot -prefix_
```

(continues on next page)

(continued from previous page)

```

↪addr_gen_hier
21
22 # =====
23 proc -noopt
24 select -set new_cells t:$mux t:*dff
25 show -color maroon3 @new_cells -notitle -format dot -prefix addr_gen_proc
26
27 # =====
28 opt_expr; clean
29 select -set new_cells t:$eq
30 show -color cornflowerblue @new_cells -notitle -format dot -prefix addr_gen_clean
31
32 # =====

```

The first command there, `echo on`, uses `echo` to enable command echoes on. This is how we generated the code listing for `hierarchy -top addr_gen output`. Turning command echoes on prints the `yosys> hierarchy -top addr_gen` line, making the output look the same as if it were an interactive terminal. `hierarchy -top addr_gen` is of course the command we were demonstrating, including the output text and an image of the design schematic after running it.

We briefly touched on `select` when it came up in `synth_ice40`, but let's look at it more now.

### Selections intro

The `select` command is used to modify and view the list of selected objects:

```

yosys> select -module addr_gen

yosys [addr_gen]> select -list
addr_gen
addr_gen/$add$fifo.v:19$3
addr_gen/$eq$fifo.v:16$2
addr_gen/$1\addr[7:0]
addr_gen/$add$fifo.v:19$3_Y
addr_gen/$eq$fifo.v:16$2_Y
addr_gen/$0\addr[7:0]
addr_gen/addr
addr_gen/rst
addr_gen/clk
addr_gen/en
addr_gen/$proc$fifo.v:8$4
addr_gen/$proc$fifo.v:12$1

yosys [addr_gen]> select t:*

yosys [addr_gen]*> select -list
addr_gen/$add$fifo.v:19$3
addr_gen/$eq$fifo.v:16$2

yosys [addr_gen]*> select -set new_cells %

yosys [addr_gen]*> select -clear

```

When we call `select -module addr_gen` we are changing the currently active selection from the whole

design, to just the `addr_gen` module. Notice how this changes the `yosys` at the start of each command to `yosys [addr_gen]`? This indicates that any commands we run at this point will *only* operate on the `addr_gen` module. When we then call `select -list` we get a list of all objects in the `addr_gen` module, including the module itself, as well as all of the wires, inputs, outputs, processes, and cells.

Next we perform another selection, `select t:*`. The `t:` part signifies we are matching on the *cell type*, and the `*` means to match anything. For this (very simple) selection, we are trying to find all of the cells, regardless of their type. The active selection is now shown as `[addr_gen]*`, indicating some sub-selection of the `addr_gen` module. This gives us the `$add` and `$eq` cells, which we want to highlight for the *addr\_gen module after hierarchy* image.

We can assign a name to a selection with `select -set`. In our case we are using the name `new_cells`, and telling it to use the current selection, indicated by the `%` symbol. We can then use this named selection by referring to it as `@new_cells`, which we will see later. Then we clear the selection so that the following commands can operate on the full design. While we split that out for this document, we could have done the same thing in a single line by calling `select -set new_cells addr_gen/t:*`. If we know we only have the one module in our design, we can even skip the `addr_gen/` part. Looking further down *the fifo.yys code* we can see this with `select -set new_cells t:$mux t:*dff`. We can also see in that command that selections don't have to be limited to a single statement.

Many commands also support an optional `[selection]` argument which can be used to override the currently selected objects. We could, for example, call `clean addr_gen` to have *clean* operate on *just* the `addr_gen` module.

Detailed documentation of the select framework can be found under *Selections* or in the command reference at *select - modify and view the list of selected objects*.

## Displaying schematics

While the `select` command is very useful, sometimes nothing beats being able to see a design for yourself. This is where `show` comes in. Note that this document is just an introduction to the `show` command, only covering the basics. For more information, including a guide on what the different symbols represent, see *A look at the show command* and the *Interactive design investigation* page.

### Note

The `show` command requires a working installation of `GraphViz` and `xdot` for displaying the actual circuit diagrams.

This is the first `show` command we called in `fifo.yys`, *as we saw above*. If we look at the log output for this image we see the following:

```
yosys> show -format dot -prefix addr_gen_show addr_gen
```

```
4. Generating Graphviz representation of design.
Writing dot description to `addr_gen_show.dot'.
Dumping module addr_gen to page 1.
```

Calling `show` with `-format dot` tells it we want to output a `.dot` file rather than opening it for display. The `-prefix addr_gen_show` option indicates we want the file to be called `addr_gen_show.*`. Remember, we do this in `fifo.yys` because we need to store the image for displaying in the documentation you're reading. But if you just want to display the images locally you can skip these two options. The `-format` option internally calls the `dot` command line program from `GraphViz` to convert to formats other than `.dot`. Check [GraphViz output docs](#) for more on available formats.

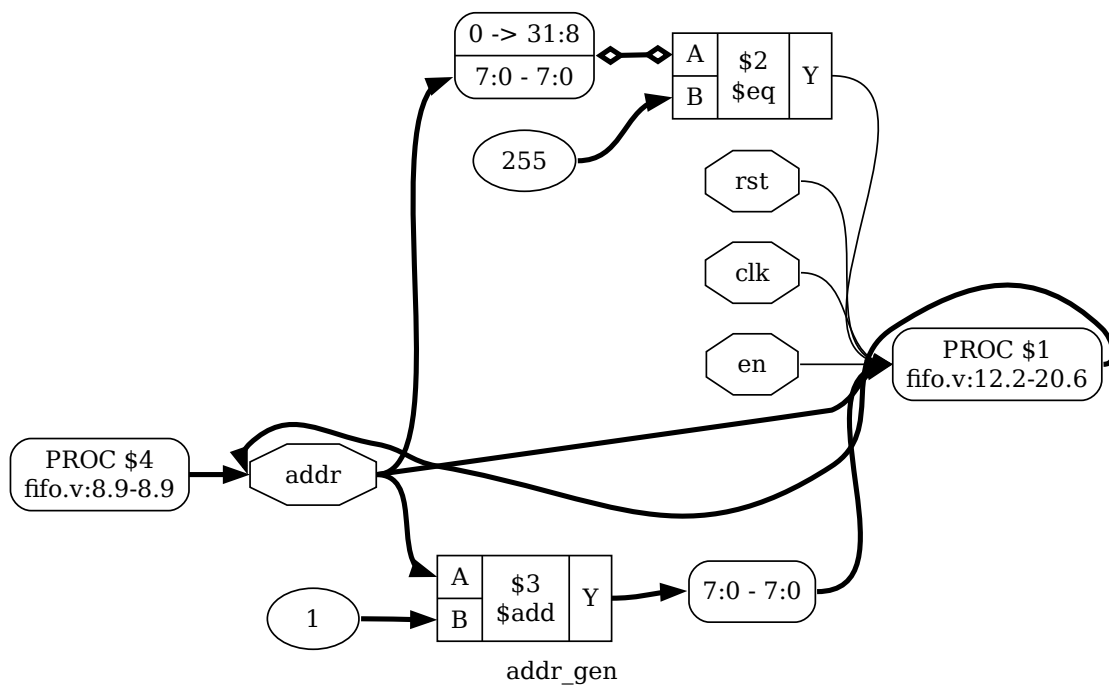


Fig. 2.17: Calling show addr\_gen after *hierarchy*

**Note**

If you are using a POSIX based version of Yosys (such as for Mac or Linux), xdot will be opened in the background and Yosys can continue to be used. If it is still open, future calls to `show` will use the same xdot instance.

The `addr_gen` at the end tells it we only want the `addr_gen` module, just like when we called `select -module addr_gen` in *Selections intro*. That last parameter doesn't have to be a module name, it can be any valid selection string. Remember when we *assigned a name to a selection* and called it `new_cells`? We saw in the `select -list` output that it contained two cells, an `$add` and an `$eq`. We can call `show` on that selection just as easily:

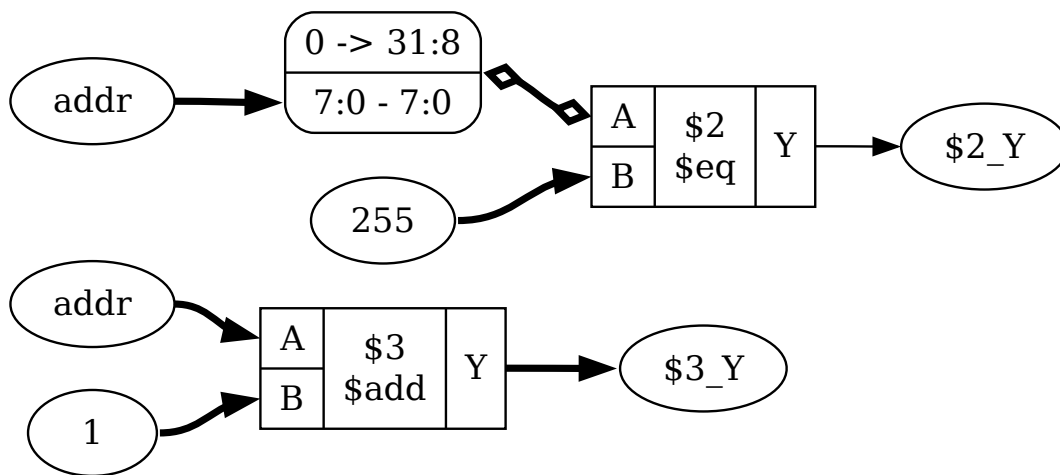


Fig. 2.18: Calling `show -notitle @new_cells`

We could have gotten the same output with `show -notitle t:$add t:$eq` if we didn't have the named selection. By adding the `-notitle` flag there we can also get rid of the `addr_gen` title that would have been automatically added. The last two images were both added for this introduction. The next image is the first one we saw in *Synthesis starter*: showing the full `addr_gen` module while also highlighting `@new_cells` and the two PROC blocks. To achieve this highlight, we make use of the `-color` option:

As described in the `help` output for `show` (or by clicking on the `show` link), colors are specified as `-color <color> <object>`. Color names for the `<color>` portion can be found on the [GraphViz color docs](#). Unlike the final `show` parameter which can have be any selection string, the `<object>` part must be a single selection expression or named selection. That means while we can use `@new_cells`, we couldn't use `t:$eq t:$add`. In general, if a command lists `[selection]` as its final parameter it can be any selection string. Any selections that are not the final parameter, such as those used in options, must be a single expression instead.

For all of the options available to `show`, check the command reference at `show - generate schematics using graphviz`.

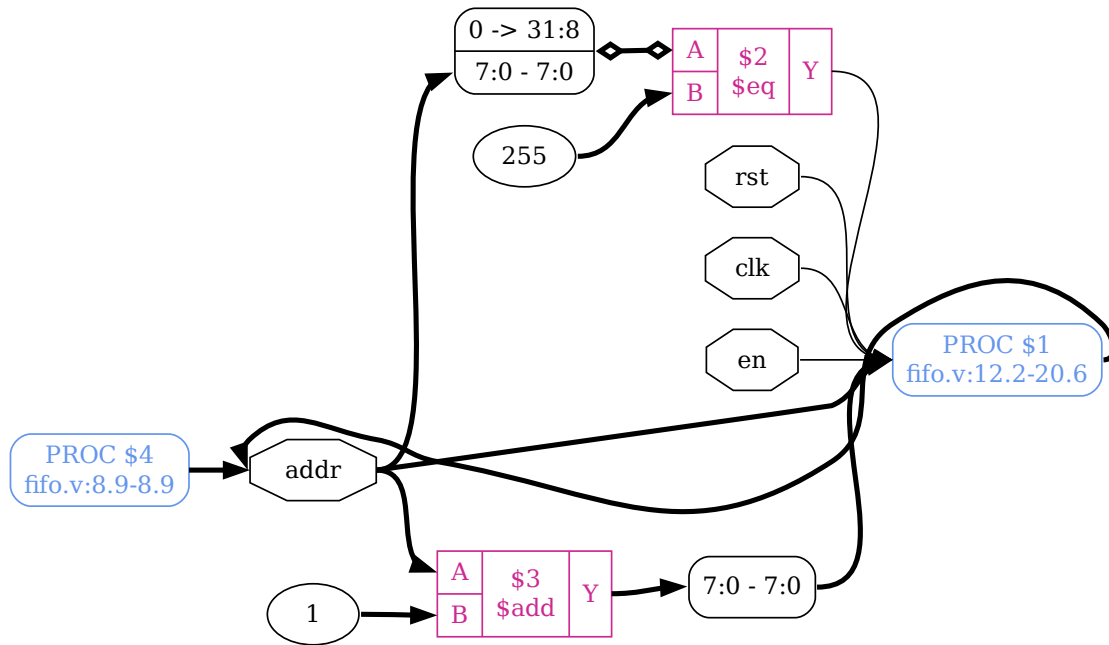


Fig. 2.19: Calling `show -color maroon3 @new_cells -color cornflowerblue p:* -notitle`

➡ See also

A look at the `show` command on the *Interactive design investigation* page.

## USING YOSYS (ADVANCED)

While much of Yosys is focused around synthesis, there are also a number of other useful things that can be accomplished with Yosys scripts or in an interactive shell. As such this section is broken into two parts: *Synthesis in detail* expands on the *Synthesis starter* and goes into further detail on the major commands used in synthesis; *More scripting* covers the ways Yosys can interact with designs for a deeper investigation.


### 3.1 Synthesis in detail

Synthesis can generally be broken down into coarse-grain synthesis, and fine-grain synthesis. We saw this in *Synthesis starter* where a design was loaded and elaborated and then went through a series of coarse-grain optimizations before being mapped to hard blocks and fine-grain cells. Most commands in Yosys will target either coarse-grain representation or fine-grain representation, with only a select few compatible with both states.

Commands such as *proc*, *fsm*, and *memory* rely on the additional information in the coarse-grain representation, along with a number of optimizations such as *wreduce*, *share*, and *alumacc*. *opt* provides optimizations which are useful in both states, while *techmap* is used to convert coarse-grain cells to the corresponding fine-grain representation.

Single-bit cells (logic gates, FFs) as well as LUTs, half-adders, and full-adders make up the bulk of the fine-grain representation and are necessary for commands such as *abc/abc9*, *simplemap*, *dfflegalize*, and *memory\_map*.

#### 3.1.1 Synth commands

 **Todo**

comment on common `synth_*` options, like `-run`

#### Packaged `synth_*` commands

A list of all synth commands included in Yosys for different platforms can be found under *Technology libraries*. Each command runs a script of sub commands specific to the platform being targeted. Note that not all of these scripts are actively maintained and may not be up-to-date.

#### General synthesis

In addition to the above hardware-specific synth commands, there is also *prep - generic synthesis script*. This command is limited to coarse-grain synthesis, without getting into any architecture-specific mappings or optimizations. Among other things, this is useful for design verification.

The following commands are executed by the *prep* command:

```

begin:
  hierarchy -check [-top <top> | -auto-top]

coarse:
  proc [-ifx]
  flatten    (if -flatten)
  future
  opt_expr -keepdc
  opt_clean
  check
  opt -noff -keepdc
  wreduce -keepdc [-memx]
  memory_dff    (if -rdff)
  memory_memx   (if -memx)
  opt_clean
  memory_collect
  opt -noff -keepdc -fast
  sort

check:
  stat
  check

```

*Synthesis starter* covers most of these commands and what they do.

### 3.1.2 Converting process blocks

The Verilog frontend converts `always`-blocks to RTL netlists for the expressions and “processes” for the control- and memory elements. The `proc` command then transforms these “processes” to netlists of RTL multiplexer and register cells. It also is a macro command that calls the other `proc_*` commands in a sensible order:

Listing 3.1: Passes called by `proc`

```


proc_clean # removes empty branches and processes
proc_rmdead # removes unreachable branches
proc_prune
proc_init # special handling of "initial" blocks
proc_arst # identifies modeling of async resets
proc_rom
proc_mux # converts decision trees to multiplexer networks
proc_dlatch
proc_dff # extracts registers from processes
proc_memwr
proc_clean # this should remove all the processes, provided all went fine
opt_expr -keepdc

```

After all the `proc_*` commands, `opt_expr` is called. This can be disabled by calling `proc -noopt`. For more information about `proc`, such as disabling certain sub commands, see *Converting process blocks*.

Many commands can not operate on modules with “processes” in them. Usually a call to `proc` is the first command in the actual synthesis procedure after design elaboration.

## Example

 Todo

describe proc images

docs/source/code\_examples/synth\_flow.

Listing 3.2: proc\_01.v

```

module test(input D, C, R, output reg Q);
  always @(posedge C, posedge R)
    if (R)
      Q <= 0;
    else
      Q <= D;
endmodule

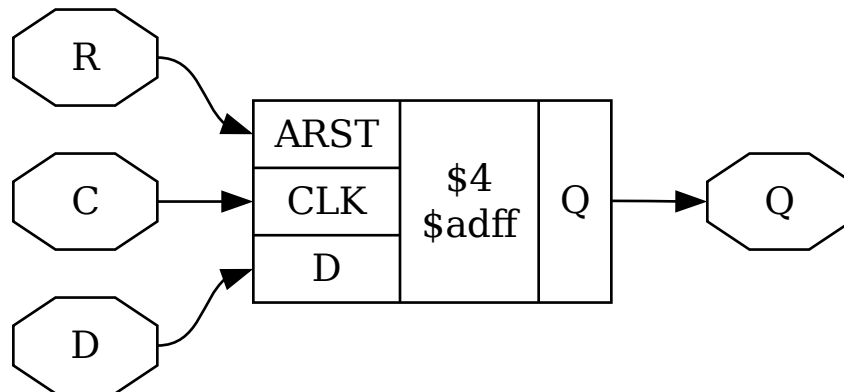
```

Listing 3.3: proc\_01.yc

```

read_verilog proc_01.v
hierarchy -check -top test
proc;;

```



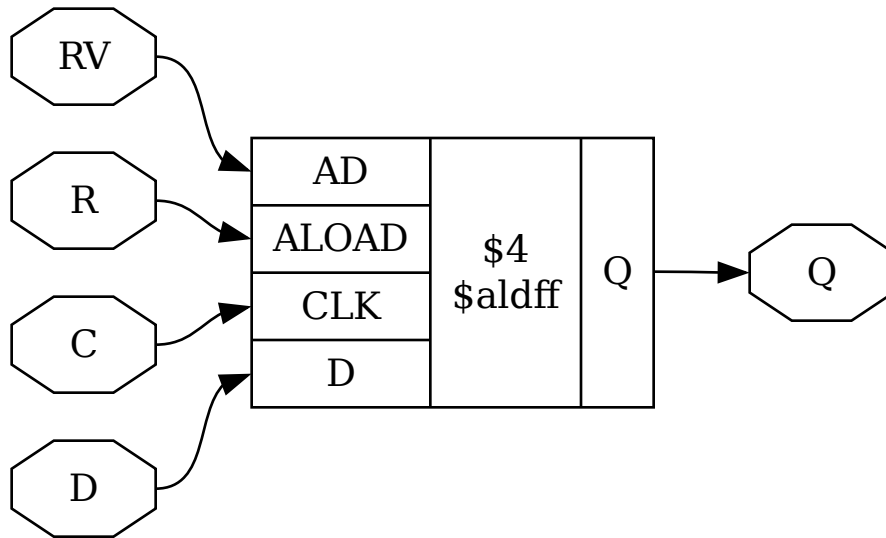
Listing 3.4: proc\_02.v

```

module test(input D, C, R, RV,
            output reg Q);
  always @(posedge C, posedge R)
    if (R)
      Q <= RV;
    else

```

(continues on next page)



(continued from previous page)

```

Q <= D;
endmodule

```

Listing 3.5: proc\_02.yo

```

read_verilog proc_02.v
hierarchy -check -top test
proc;;

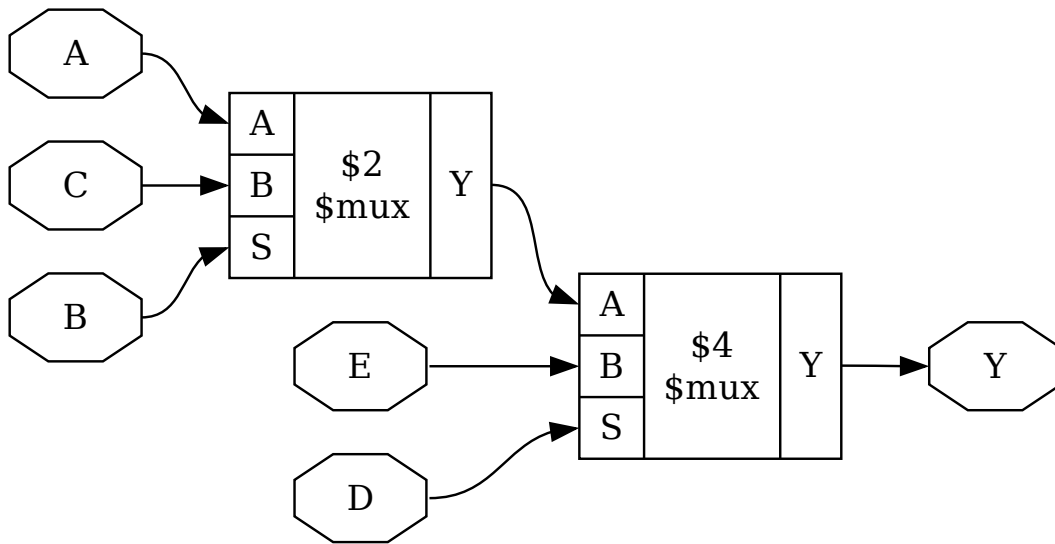
```

Listing 3.6: proc\_03.yo

```

read_verilog proc_03.v
hierarchy -check -top test
proc;;

```



Listing 3.7: proc\_03.v

```

module test(input A, B, C, D, E,
            output reg Y);
    always @* begin
        Y <= A;
        if (B)
            Y <= C;
        if (D)
            Y <= E;
    end
endmodule

```

### 3.1.3 FSM handling

The `fsm` command identifies, extracts, optimizes (re-encodes), and re-synthesizes finite state machines. It again is a macro that calls a series of other commands:

Listing 3.8: Passes called by `fsm`

```

# Identify and extract FSMs:
fsm_detect
fsm_extract

# Basic optimizations:
fsm_opt
opt_clean

```

(continues on next page)

(continued from previous page)

```
fsm_opt

# Expanding to nearby gate-logic (if called with -expand):
fsm_expand
opt_clean
fsm_opt

# Re-code FSM states (unless called with -norecode):
fsm_recode

# Print information about FSMs:
fsm_info

# Export FSMs in KISS2 file format (if called with -export):
fsm_export

# Map FSMs to RTL cells (unless called with -nomap):
fsm_map
```

See also *FSM handling*.

The algorithms used for FSM detection and extraction are influenced by a more general reported technique [STGR10].

### FSM detection

The *fsm\_detect* pass identifies FSM state registers. It sets the `fsm_encoding = "auto"` attribute on any (multi-bit) wire that matches the following description:

- Does not already have the `fsm_encoding` attribute.
- Is not an output of the containing module.
- Is driven by single *\$dff* or *\$adff* cell.
- The D-Input of this *\$dff* or *\$adff* cell is driven by a multiplexer tree that only has constants or the old state value on its leaves.
- The state value is only used in the said multiplexer tree or by simple relational cells that compare the state value to a constant (usually *\$eq* cells).

This heuristic has proven to work very well. It is possible to overwrite it by setting `fsm_encoding = "auto"` on registers that should be considered FSM state registers and setting `fsm_encoding = "none"` on registers that match the above criteria but should not be considered FSM state registers.

Note however that marking state registers with `fsm_encoding` that are not suitable for FSM recoding can cause synthesis to fail or produce invalid results.

### FSM extraction

The *fsm\_extract* pass operates on all state signals marked with the (`fsm_encoding != "none"`) attribute. For each state signal the following information is determined:

- The state registers
- The asynchronous reset state if the state registers use asynchronous reset
- All states and the control input signals used in the state transition functions

- The control output signals calculated from the state signals and control inputs
- A table of all state transitions and corresponding control inputs- and outputs

The state registers (and asynchronous reset state, if applicable) is simply determined by identifying the driver for the state signal.

From there the *\$mux*-tree driving the state register inputs is recursively traversed. All select inputs are control signals and the leaves of the *\$mux*-tree are the states. The algorithm fails if a non-constant leaf that is not the state signal itself is found.

The list of control outputs is initialized with the bits from the state signal. It is then extended by adding all values that are calculated by cells that compare the state signal with a constant value.

In most cases this will cover all uses of the state register, thus rendering the state encoding arbitrary. If however a design uses e.g. a single bit of the state value to drive a control output directly, this bit of the state signal will be transformed to a control output of the same value.

Finally, a transition table for the FSM is generated. This is done by using the ConstEval C++ helper class (defined in kernel/consteval.h) that can be used to evaluate parts of the design. The ConstEval class can be asked to calculate a given set of result signals using a set of signal-value assignments. It can also be passed a list of stop-signals that abort the ConstEval algorithm if the value of a stop-signal is needed in order to calculate the result signals.

The *fsm\_extract* pass uses the ConstEval class in the following way to create a transition table. For each state:

1. Create a ConstEval object for the module containing the FSM
2. Add all control inputs to the list of stop signals
3. Set the state signal to the current state
4. Try to evaluate the next state and control output
5. If step 4 was not successful:
  - Recursively goto step 4 with the offending stop-signal set to 0.
  - Recursively goto step 4 with the offending stop-signal set to 1.
6. If step 4 was successful: Emit transition

Finally a *\$fsm* cell is created with the generated transition table and added to the module. This new cell is connected to the control signals and the old drivers for the control outputs are disconnected.

### FSM optimization

The *fsm\_opt* pass performs basic optimizations on *\$fsm* cells (not including state recoding). The following optimizations are performed (in this order):

- Unused control outputs are removed from the *\$fsm* cell. The attribute `unused_bits` (that is usually set by the *opt\_clean* pass) is used to determine which control outputs are unused.
- Control inputs that are connected to the same driver are merged.
- When a control input is driven by a control output, the control input is removed and the transition table altered to give the same performance without the external feedback path.
- Entries in the transition table that yield the same output and only differ in the value of a single control input bit are merged and the different bit is removed from the sensitivity list (turned into a don't-care bit).
- Constant inputs are removed and the transition table is altered to give an unchanged behaviour.

- Unused inputs are removed.

### FSM recoding

The `fsm_recode` pass assigns new bit pattern to the states. Usually this also implies a change in the width of the state signal. At the moment of this writing only one-hot encoding with all-zero for the reset state is supported.

The `fsm_recode` pass can also write a text file with the changes performed by it that can be used when verifying designs synthesized by Yosys using Synopsys Formality.

## 3.1.4 Memory handling

### The `memory` command

In the RTL netlist, memory reads and writes are individual cells. This makes consolidating the number of ports for a memory easier. The `memory` pass transforms memories to an implementation. Per default that is logic for address decoders and registers. It also is a macro command that calls the other common `memory_*` passes in a sensible order:

Listing 3.9: Passes called by `memory`

```
opt_mem
opt_mem_priority
opt_mem_feedback
memory_bmux2rom
memory_dff
opt_clean
memory_share
opt_mem_widen
memory_memx           (when called with -memx)
opt_clean
memory_collect
memory_bram -rules <bram_rules> (when called with -bram)
memory_map           (skipped if called with -nomap)
```

### Todo


Make `memory_*` notes less quick

Some quick notes:

- `memory_dff` merges registers into the memory read- and write cells.
- `memory_collect` collects all read and write cells for a memory and transforms them into one multi-port memory cell.
- `memory_map` takes the multi-port memory cell and transforms it to address decoder logic and registers.

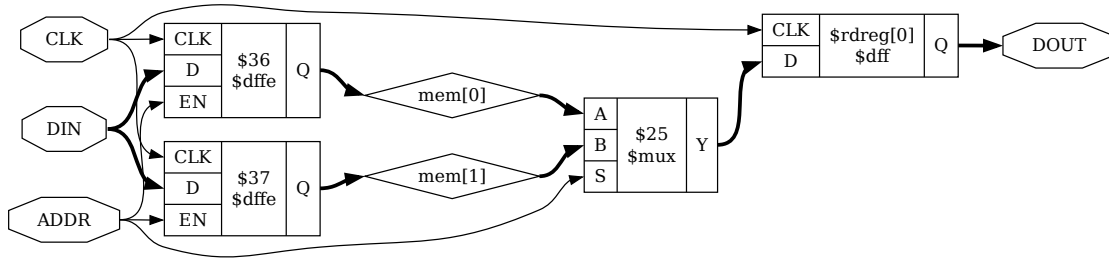
For more information about `memory`, such as disabling certain sub commands, see [Memory handling](#).

## Example

 Todo

describe memory images

docs/source/code\_examples/synth\_flow.



Listing 3.10: memory\_01.yo

```
read_verilog memory_01.v
hierarchy -check -top test
proc;; memory; opt
```

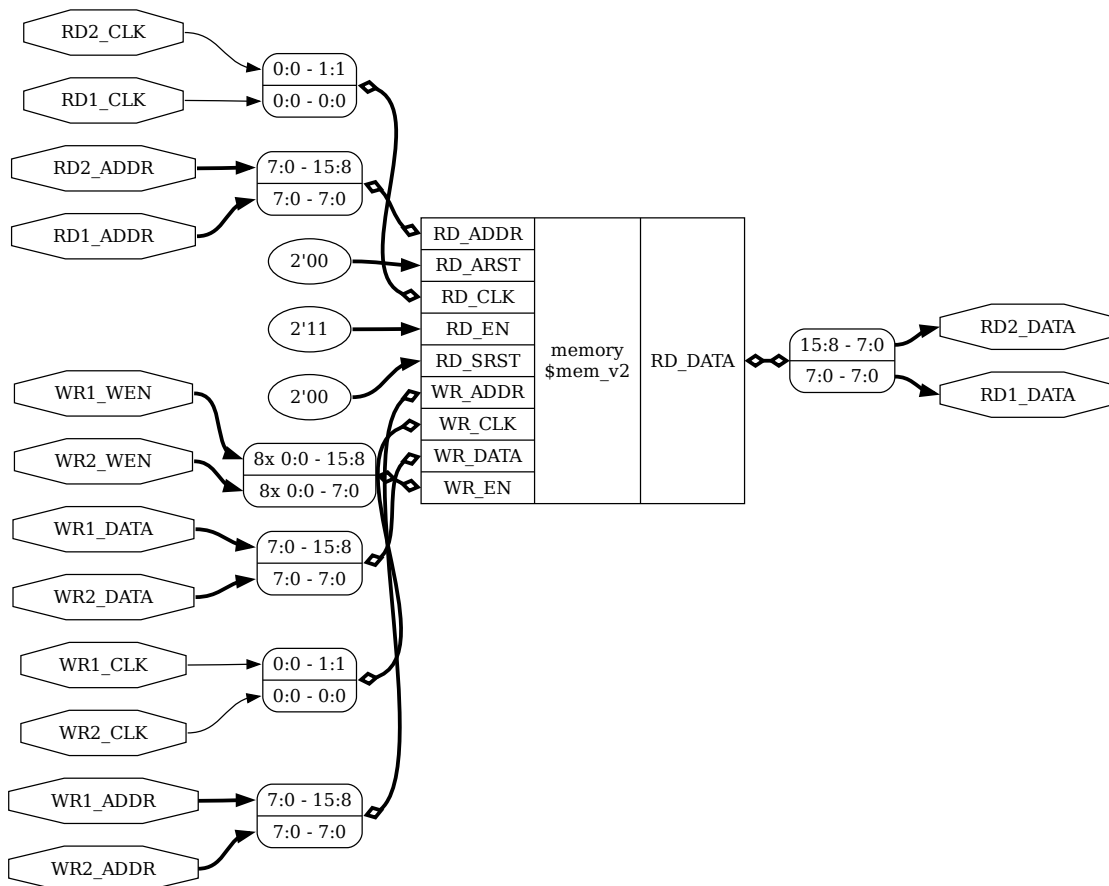
Listing 3.11: memory\_01.v

```
module test(input      CLK, ADDR,
            input      [7:0] DIN,
            output reg [7:0] DOUT);
    reg [7:0] mem [0:1];
    always @(posedge CLK) begin
        mem[ADDR] <= DIN;
        DOUT <= mem[ADDR];
    end
endmodule
```

Listing 3.12: memory\_02.v

```
module test(
    input      WR1_CLK, WR2_CLK,
    input      WR1_WEN, WR2_WEN,
    input      [7:0] WR1_ADDR, WR2_ADDR,
    input      [7:0] WR1_DATA, WR2_DATA,
    input      RD1_CLK, RD2_CLK,
    input      [7:0] RD1_ADDR, RD2_ADDR,
    output reg [7:0] RD1_DATA, RD2_DATA
);
```

(continues on next page)



(continued from previous page)

```

reg [7:0] memory [0:255];

always @(posedge WR1_CLK)
  if (WR1_WEN)
    memory[WR1_ADDR] <= WR1_DATA;

always @(posedge WR2_CLK)
  if (WR2_WEN)
    memory[WR2_ADDR] <= WR2_DATA;

always @(posedge RD1_CLK)
  RD1_DATA <= memory[RD1_ADDR];

always @(posedge RD2_CLK)
  RD2_DATA <= memory[RD2_ADDR];

endmodule

```

Listing 3.13: memory\_02.yo

```

read_verilog memory_02.v
hierarchy -check -top test
proc;; memory -nomap
opt -mux_undef -mux_bool

```

### Memory mapping

Usually it is preferred to use architecture-specific RAM resources for memory. For example:

```

memory -nomap
memory_libmap -lib my_memory_map.txt
techmap -map my_memory_map.v
memory_map

```

*memory\_libmap* attempts to convert memory cells (*\$mem\_v2* etc) into hardware supported memory using a provided library (*my\_memory\_map.txt* in the example above). Where necessary, emulation logic is added to ensure functional equivalence before and after this conversion. *techmap -map my\_memory\_map.v* then uses *techmap* to map to hardware primitives. Any leftover memory cells unable to be converted are then picked up by *memory\_map* and mapped to DFFs and address decoders.

**Note**

More information about what mapping options are available and associated costs of each can be found by enabling debug outputs. This can be done with the `debug` command, or by using the `-g` flag when calling Yosys to globally enable debug messages.

For more on the lib format for `memory_libmap`, see `passes/memory/memlib.md`

**Supported memory patterns**

Note that not all supported patterns are included in this document, of particular note is that combinations of multiple patterns should generally work. For example, `wbe` could be used in conjunction with any of the simple dual port (SDP) models. In general if a hardware memory definition does not support a given configuration, additional logic will be instantiated to guarantee behaviour is consistent with simulation.

**Notes****Memory kind selection**

The memory inference code will automatically pick target memory primitive based on memory geometry and features used. Depending on the target, there can be up to four memory primitive classes available for selection:

- FF RAM (aka logic): no hardware primitive used, memory lowered to a bunch of FFs and multiplexers
  - Can handle arbitrary number of write ports, as long as all write ports are in the same clock domain
  - Can handle arbitrary number and kind of read ports
- LUT RAM (aka distributed RAM): uses LUT storage as RAM
  - Supported on most FPGAs (with notable exception of ice40)
  - Usually has one synchronous write port, one or more asynchronous read ports
  - Small
  - Will never be used for ROMs (lowering to plain LUTs is always better)
- Block RAM: dedicated memory tiles
  - Supported on basically all FPGAs
  - Supports only synchronous reads
  - Two ports with separate clocks
  - Usually supports true dual port (with notable exception of ice40 that only supports SDP)
  - Usually supports asymmetric memories and per-byte write enables
  - Several kilobits in size
- Huge RAM:
  - Only supported on several targets:
    - \* Some Xilinx UltraScale devices (UltraRAM)
      - Two ports, both with mutually exclusive synchronous read and write
      - Single clock

- Initial data must be all-0
- \* Some ice40 devices (SPRAM)
  - Single port with mutually exclusive synchronous read and write
  - Does not support initial data
- \* Nexus (large RAM)
  - Two ports, both with mutually exclusive synchronous read and write
  - Single clock
- Will not be automatically selected by memory inference code, needs explicit opt-in via `ram_style` attribute

In general, you can expect the automatic selection process to work roughly like this:

- If any read port is asynchronous, only LUT RAM (or FF RAM) can be used.
- If there is more than one write port, only block RAM can be used, and this needs to be a hardware-supported true dual port pattern
  - ... unless all write ports are in the same clock domain, in which case FF RAM can also be used, but this is generally not what you want for anything but really small memories
- Otherwise, either FF RAM, LUT RAM, or block RAM will be used, depending on memory size

This process can be overridden by attaching a `ram_style` attribute to the memory:

- (`* ram_style = "logic" *`) selects FF RAM
- (`* ram_style = "distributed" *`) selects LUT RAM
- (`* ram_style = "block" *`) selects block RAM
- (`* ram_style = "huge" *`) selects huge RAM

It is an error if this override cannot be realized for the given target.

Many alternate spellings of the attribute are also accepted, for compatibility with other software.

### Initial data

Most FPGA targets support initializing all kinds of memory to user-provided values. If explicit initialization is not used the initial memory value is undefined. Initial data can be provided by either initial statements writing memory cells one by one of `$readmemh` or `$readmemb` system tasks. For an example pattern, see *sr\_init*.

### Write port with byte enables

- Byte enables can be used with any supported pattern
- To ensure that multiple writes will be merged into one port, they need to have disjoint bit ranges, have the same address, and the same clock
- Any write enable granularity will be accepted (down to per-bit write enables), but using smaller granularity than natively supported by the target is very likely to be inefficient (eg. using 4-bit bytes on ECP5 will result in either padding the bytes with 5 dummy bits to native 9-bit units or splitting the RAM into two block RAMs)

```

reg [31 : 0] mem [2**ADDR_WIDTH - 1 : 0];

always @(posedge clk) begin
    if (write_enable[0])
        mem[write_addr][7:0] <= write_data[7:0];
    if (write_enable[1])
        mem[write_addr][15:8] <= write_data[15:8];
    if (write_enable[2])
        mem[write_addr][23:16] <= write_data[23:16];
    if (write_enable[3])
        mem[write_addr][31:24] <= write_data[31:24];
    if (read_enable)
        read_data <= mem[read_addr];
end

```

### Simple dual port (SDP) memory patterns

#### Todo

assorted enables, e.g. cen, wen+ren

### Asynchronous-read SDP

- This will result in LUT RAM on supported targets

```

reg [DATA_WIDTH - 1 : 0] mem [2**ADDR_WIDTH - 1 : 0];
always @(posedge clk)
    if (write_enable)
        mem[write_addr] <= write_data;
assign read_data = mem[read_addr];

```

### Synchronous SDP with clock domain crossing

- Will result in block RAM or LUT RAM depending on size
- No behavior guarantees in case of simultaneous read and write to the same address

```

reg [DATA_WIDTH - 1 : 0] mem [2**ADDR_WIDTH - 1 : 0];

always @(posedge write_clk) begin
    if (write_enable)
        mem[write_addr] <= write_data;
end

always @(posedge read_clk) begin
    if (read_enable)
        read_data <= mem[read_addr];
end

```

### Synchronous SDP read first

- The read and write parts can be in the same or different processes.
- Will result in block RAM or LUT RAM depending on size
- As long as the same clock is used for both, yosys will ensure read-first behavior. This may require extra circuitry on some targets for block RAM. If this is not necessary, use one of the patterns below.

```
reg [DATA_WIDTH - 1 : 0] mem [2**ADDR_WIDTH - 1 : 0];

always @(posedge clk) begin
    if (write_enable)
        mem[write_addr] <= write_data;
    if (read_enable)
        read_data <= mem[read_addr];
end
```

### Synchronous SDP with undefined collision behavior

- Like above, but the read value is undefined when read and write ports target the same address in the same cycle

```
reg [DATA_WIDTH - 1 : 0] mem [2**ADDR_WIDTH - 1 : 0];

always @(posedge clk) begin
    if (write_enable)
        mem[write_addr] <= write_data;

    if (read_enable) begin
        read_data <= mem[read_addr];

        if (write_enable && read_addr == write_addr)
            // this if block
            read_data <= 'x;
    end
end
```

- Or below, using the no\_rw\_check attribute

```
(* no_rw_check *)
reg [DATA_WIDTH - 1 : 0] mem [2**ADDR_WIDTH - 1 : 0];

always @(posedge clk) begin
    if (write_enable)
        mem[write_addr] <= write_data;

    if (read_enable)
        read_data <= mem[read_addr];
end
```

### Synchronous SDP with write-first behavior

- Will result in block RAM or LUT RAM depending on size
- May use additional circuitry for block RAM if write-first is not natively supported. Will always use additional circuitry for LUT RAM.

```
reg [DATA_WIDTH - 1 : 0] mem [2**ADDR_WIDTH - 1 : 0];

always @(posedge clk) begin
    if (write_enable)
        mem[write_addr] <= write_data;

    if (read_enable) begin
        read_data <= mem[read_addr];
        if (write_enable && read_addr == write_addr)
            read_data <= write_data;
    end
end
```

### Synchronous SDP with write-first behavior (alternate pattern)

- This pattern is supported for compatibility, but is much less flexible than the above

```
reg [ADDR_WIDTH - 1 : 0] read_addr_reg;
reg [DATA_WIDTH - 1 : 0] mem [2**ADDR_WIDTH - 1 : 0];

always @(posedge clk) begin
    if (write_enable)
        mem[write_addr] <= write_data;
    read_addr_reg <= read_addr;
end

assign read_data = mem[read_addr_reg];
```

### Single-port RAM memory patterns

#### Asynchronous-read single-port RAM

- Will result in single-port LUT RAM on supported targets

```
reg [DATA_WIDTH - 1 : 0] mem [2**ADDR_WIDTH - 1 : 0];
always @(posedge clk)
    if (write_enable)
        mem[addr] <= write_data;
assign read_data = mem[addr];
```

#### Synchronous single-port RAM with mutually exclusive read/write

- Will result in single-port block RAM or LUT RAM depending on size
- This is the correct pattern to infer ice40 SPRAM (with manual ram\_style selection)
- On targets that don't support read/write block RAM ports (eg. ice40), will result in SDP block RAM instead

- For block RAM, will use “NO\_CHANGE” mode if available

```
reg [DATA_WIDTH - 1 : 0] mem [2**ADDR_WIDTH - 1 : 0];

always @(posedge clk) begin
    if (write_enable)
        mem[addr] <= write_data;
    else if (read_enable)
        read_data <= mem[addr];
end
```

### Synchronous single-port RAM with read-first behavior

- Will only result in single-port block RAM when read-first behavior is natively supported; otherwise, SDP RAM with additional circuitry will be used
- Many targets (Xilinx, ECP5, ...) can only natively support read-first/write-first single-port RAM (or TDP RAM) where the write\_enable signal implies the read\_enable signal (ie. can never write without reading). The memory inference code will run a simple SAT solver on the control signals to determine if this is the case, and insert emulation circuitry if it cannot be easily proven.

```
reg [DATA_WIDTH - 1 : 0] mem [2**ADDR_WIDTH - 1 : 0];

always @(posedge clk) begin
    if (write_enable)
        mem[addr] <= write_data;
    if (read_enable)
        read_data <= mem[addr];
end
```

### Synchronous single-port RAM with write-first behavior

- Will result in single-port block RAM or LUT RAM when supported
- Block RAMs will require extra circuitry if write-first behavior not natively supported

```
reg [DATA_WIDTH - 1 : 0] mem [2**ADDR_WIDTH - 1 : 0];

always @(posedge clk) begin
    if (write_enable)
        mem[addr] <= write_data;
    if (read_enable)
        if (write_enable)
            read_data <= write_data;
        else
            read_data <= mem[addr];
end
```

### Synchronous read port with initial value

- Initial read port values can be combined with any other supported pattern
- If block RAM is used and initial read port values are not natively supported by the target, small emulation circuit will be inserted

```

reg [DATA_WIDTH - 1 : 0] mem [2**ADDR_WIDTH - 1 : 0];
reg [DATA_WIDTH - 1 : 0] read_data;
initial read_data = 'h1234;

always @(posedge clk) begin
    if (write_enable)
        mem[write_addr] <= write_data;
    if (read_enable)
        read_data <= mem[read_addr];
end

```

### Read register reset patterns

Resets can be combined with any other supported pattern (except that synchronous reset and asynchronous reset cannot both be used on a single read port). If block RAM is used and the selected reset (synchronous or asynchronous) is used but not natively supported by the target, small emulation circuitry will be inserted.

#### Synchronous reset, reset priority over enable

```

reg [DATA_WIDTH - 1 : 0] mem [2**ADDR_WIDTH - 1 : 0];

always @(posedge clk) begin
    if (write_enable)
        mem[write_addr] <= write_data;

    if (read_reset)
        read_data <= 'h1234;
    else if (read_enable)
        read_data <= mem[read_addr];
end

```

#### Synchronous reset, enable priority over reset

```

reg [DATA_WIDTH - 1 : 0] mem [2**ADDR_WIDTH - 1 : 0];

always @(posedge clk) begin
    if (write_enable)
        mem[write_addr] <= write_data;
    if (read_enable)
        if (read_reset)
            read_data <= 'h1234;
        else
            read_data <= mem[read_addr];
end

```

#### Synchronous read port with asynchronous reset

```

reg [DATA_WIDTH - 1 : 0] mem [2**ADDR_WIDTH - 1 : 0];

always @(posedge clk) begin

```

(continues on next page)

(continued from previous page)

```

        if (write_enable)
            mem[write_addr] <= write_data;
end
always @(posedge clk, posedge read_reset) begin
    if (read_reset)
        read_data <= 'h1234;
    else if (read_enable)
        read_data <= mem[read_addr];
end

```

### Asymmetric memory patterns

To construct an asymmetric memory (memory with read/write ports of differing widths):

- Declare the memory with the width of the narrowest intended port
- Split all wide ports into multiple narrow ports
- To ensure the wide ports will be correctly merged:
  - For the address, use a concatenation of actual address in the high bits and a constant in the low bits
  - Ensure the actual address is identical for all ports belonging to the wide port
  - Ensure that clock is identical
  - For read ports, ensure that enable/reset signals are identical (for write ports, the enable signal may vary — this will result in using the byte enable functionality)

Asymmetric memory is supported on all targets, but may require emulation circuitry where not natively supported. Note that when the memory is larger than the underlying block RAM primitive, hardware asymmetric memory support is likely not to be used even if present as it is more expensive.

### Wide synchronous read port

```

reg [7:0] mem [0:255];
wire [7:0] write_addr;
wire [5:0] read_addr;
wire [7:0] write_data;
reg [31:0] read_data;

always @(posedge clk) begin
    if (write_enable)
        mem[write_addr] <= write_data;
    if (read_enable) begin
        read_data[7:0] <= mem[{read_addr, 2'b00}];
        read_data[15:8] <= mem[{read_addr, 2'b01}];
        read_data[23:16] <= mem[{read_addr, 2'b10}];
        read_data[31:24] <= mem[{read_addr, 2'b11}];
    end
end

```

### Wide asynchronous read port

- Note: the only target natively supporting this pattern is Xilinx UltraScale

```
reg [7:0] mem [0:511];
wire [8:0] write_addr;
wire [5:0] read_addr;
wire [7:0] write_data;
wire [63:0] read_data;

always @(posedge clk) begin
    if (write_enable)
        mem[write_addr] <= write_data;
end

assign read_data[7:0] = mem[{read_addr, 3'b000}];
assign read_data[15:8] = mem[{read_addr, 3'b001}];
assign read_data[23:16] = mem[{read_addr, 3'b010}];
assign read_data[31:24] = mem[{read_addr, 3'b011}];
assign read_data[39:32] = mem[{read_addr, 3'b100}];
assign read_data[47:40] = mem[{read_addr, 3'b101}];
assign read_data[55:48] = mem[{read_addr, 3'b110}];
assign read_data[63:56] = mem[{read_addr, 3'b111}];
```

### Wide write port

```
reg [7:0] mem [0:255];
wire [5:0] write_addr;
wire [7:0] read_addr;
wire [31:0] write_data;
reg [7:0] read_data;

always @(posedge clk) begin
    if (write_enable[0])
        mem[{write_addr, 2'b00}] <= write_data[7:0];
    if (write_enable[1])
        mem[{write_addr, 2'b01}] <= write_data[15:8];
    if (write_enable[2])
        mem[{write_addr, 2'b10}] <= write_data[23:16];
    if (write_enable[3])
        mem[{write_addr, 2'b11}] <= write_data[31:24];
    if (read_enable)
        read_data <= mem[read_addr];
end
```

### True dual port (TDP) patterns

- Many different variations of true dual port memory can be created by combining two single-port RAM patterns on the same memory
- When TDP memory is used, memory inference code has much less maneuver room to create requested semantics compared to individual single-port patterns (which can end up lowered to SDP memory where necessary) — supported patterns depend strongly on the target

- In particular, when both ports have the same clock, it's likely that “undefined collision” mode needs to be manually selected to enable TDP memory inference
- The examples below are non-exhaustive — many more combinations of port types are possible
- Note: if two write ports are in the same process, this defines a priority relation between them (if both ports are active in the same clock, the later one wins). On almost all targets, this will result in a bit of extra circuitry to ensure the priority semantics. If this is not what you want, put them in separate processes.
  - Priority is not supported when using the verilog front end and any priority semantics are ignored.

### TDP with different clocks, exclusive read/write

```
reg [DATA_WIDTH - 1 : 0] mem [2**ADDR_WIDTH - 1 : 0];

always @(posedge clk_a) begin
    if (write_enable_a)
        mem[addr_a] <= write_data_a;
    else if (read_enable_a)
        read_data_a <= mem[addr_a];
end

always @(posedge clk_b) begin
    if (write_enable_b)
        mem[addr_b] <= write_data_b;
    else if (read_enable_b)
        read_data_b <= mem[addr_b];
end
```

### TDP with same clock, read-first behavior

- This requires hardware inter-port read-first behavior, and will only work on some targets (Xilinx, Nexus)

```
reg [DATA_WIDTH - 1 : 0] mem [2**ADDR_WIDTH - 1 : 0];

always @(posedge clk) begin
    if (write_enable_a)
        mem[addr_a] <= write_data_a;
    if (read_enable_a)
        read_data_a <= mem[addr_a];
end

always @(posedge clk) begin
    if (write_enable_b)
        mem[addr_b] <= write_data_b;
    if (read_enable_b)
        read_data_b <= mem[addr_b];
end
```

### TDP with multiple read ports

- The combination of a single write port with an arbitrary amount of read ports is supported on all targets — if a multi-read port primitive is available (like Xilinx RAM64M), it'll be used as appropriate. Otherwise, the memory will be automatically split into multiple primitives.

```
reg [31:0] mem [0:31];

always @(posedge clk) begin
    if (write_enable)
        mem[write_addr] <= write_data;
end

assign read_data_a = mem[read_addr_a];
assign read_data_b = mem[read_addr_b];
assign read_data_c = mem[read_addr_c];
```

### Patterns only supported with Verific

The following patterns are only supported when the design is read in using the Verific front-end.

### Synchronous SDP with write-first behavior via blocking assignments

- Use *sdp\_wf* for compatibility with Yosys Verilog frontend.

```
reg [DATA_WIDTH - 1 : 0] mem [2**ADDR_WIDTH - 1 : 0];

always @(posedge clk) begin
    if (write_enable)
        mem[write_addr] = write_data;

    if (read_enable)
        read_data <= mem[read_addr];
end
```

### Asymmetric memories via part selection

- Build wide ports out of narrow ports instead (see *wide\_sr*) for compatibility with Yosys Verilog frontend.

```
reg [31:0] mem [2**ADDR_WIDTH - 1 : 0];

wire [1:0] byte_lane;
wire [7:0] write_data;

always @(posedge clk) begin
    if (write_enable)
        mem[write_addr][byte_lane * 8 +: 8] <= write_data;

    if (read_enable)
        read_data <= mem[read_addr];
end
```

## Undesired patterns

### Asynchronous writes

- Not supported in modern FPGAs
- Not supported in yosys code anyhow

```
reg [DATA_WIDTH - 1 : 0] mem [2**ADDR_WIDTH - 1 : 0];

always @* begin
    if (write_enable)
        mem[write_addr] = write_data;
end

assign read_data = mem[read_addr];
```

### 3.1.5 Optimization passes

Yosys employs a number of optimizations to generate better and cleaner results. This chapter outlines these optimizations.

#### Todo

“outlines these optimizations” or “outlines *some*..”?

### The `opt` macro command


The Yosys pass `opt` runs a number of simple optimizations. This includes removing unused signals and cells and const folding. It is recommended to run this pass after each major step in the synthesis script. This macro command calls the following `opt_*` commands:

Listing 3.14: Passes called by `opt`

```
opt_expr
opt_merge -nomux

do
    opt_muxtree
    opt_reduce
    opt_merge
    opt_share (-full only)
    opt_dff (except when called with -noff)
    opt_hier (-hier only)
    opt_clean
    opt_expr
while <changed design>
```

### Constant folding and simple expression rewriting - `opt_expr`

 **Todo**

unsure if this is too much detail and should be in *Yosys internals*

This pass performs constant folding on the internal combinational cell types described in *Internal cell library*. This means a cell with all constant inputs is replaced with the constant value this cell drives. In some cases this pass can also optimize cells with some constant inputs.

Table 3.1: Const folding rules for  $\$_{AND}$  cells as used in *opt\_expr*.

A-Input	B-Input	Replacement
any	0	0
0	any	0
1	1	1
X/Z	X/Z	X
1	X/Z	X
X/Z	1	X
any	X/Z	0
X/Z	any	0
$a$	1	$a$
1	$b$	$b$

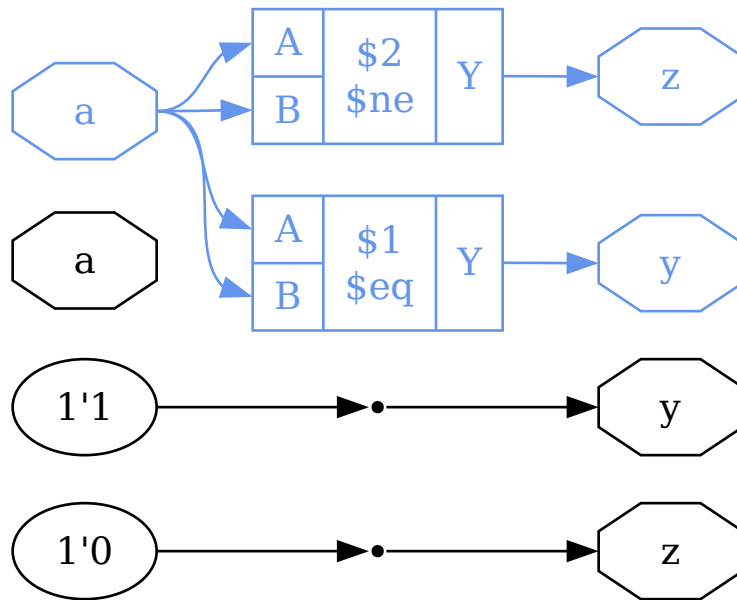
Table 3.1 shows the replacement rules used for optimizing an  $\$_{AND}$  gate. The first three rules implement the obvious const folding rules. Note that ‘any’ might include dynamic values calculated by other parts of the circuit. The following three lines propagate undef (X) states. These are the only three cases in which it is allowed to propagate an undef according to Sec. 5.1.10 of IEEE Std. 1364-2005 [A+06].

The next two lines assume the value 0 for undef states. These two rules are only used if no other substitutions are possible in the current module. If other substitutions are possible they are performed first, in the hope that the ‘any’ will change to an undef value or a 1 and therefore the output can be set to undef.

The last two lines simply replace an  $\$_{AND}$  gate with one constant-1 input with a buffer.

Besides this basic const folding the *opt\_expr* pass can replace 1-bit wide  $\$eq$  and  $\$ne$  cells with buffers or not-gates if one input is constant. Equality checks may also be reduced in size if there are redundant bits in the arguments (i.e. bits which are constant on both inputs). This can, for example, result in a 32-bit wide constant like 255 being reduced to the 8-bit value of 8'11111111 if the signal being compared is only 8-bit as in *addr\_gen module after opt\_expr; clean* of *Synthesis starter*.

The *opt\_expr* pass is very conservative regarding optimizing  $\$mux$  cells, as these cells are often used to model decision-trees and breaking these trees can interfere with other optimizations.

Fig. 3.1: Before and after *opt\_expr*

Listing 3.15: example verilog for demonstrating *opt\_expr*

```

module uut(
    input a,
    output y, z
);
    assign y = a == a;
    assign z = a != a;
endmodule

```

### Merging identical cells - *opt\_merge*

This pass performs trivial resource sharing. This means that this pass identifies cells with identical inputs and replaces them with a single instance of the cell.

The option `-nomux` can be used to disable resource sharing for multiplexer cells (*\$mux* and *\$pmux*.) This can be useful as it prevents multiplexer trees to be merged, which might prevent *opt\_muxtrees* to identify possible optimizations.

Listing 3.16: example verilog for demonstrating *opt\_merge*

```

module uut(
    input [3:0] a, b,
    output [3:0] y, z
);
    assign y = a + b;
    assign z = b + a;
endmodule

```

### Removing never-active branches from multiplexer tree - *opt\_muxtrees*

This pass optimizes trees of multiplexer cells by analyzing the select inputs. Consider the following simple example:

Listing 3.17: example verilog for demonstrating *opt\_muxtrees*

```

module uut(
    input a, b, c, d,
    output y
);
    assign y = a ? (a ? b : c) : d;
endmodule

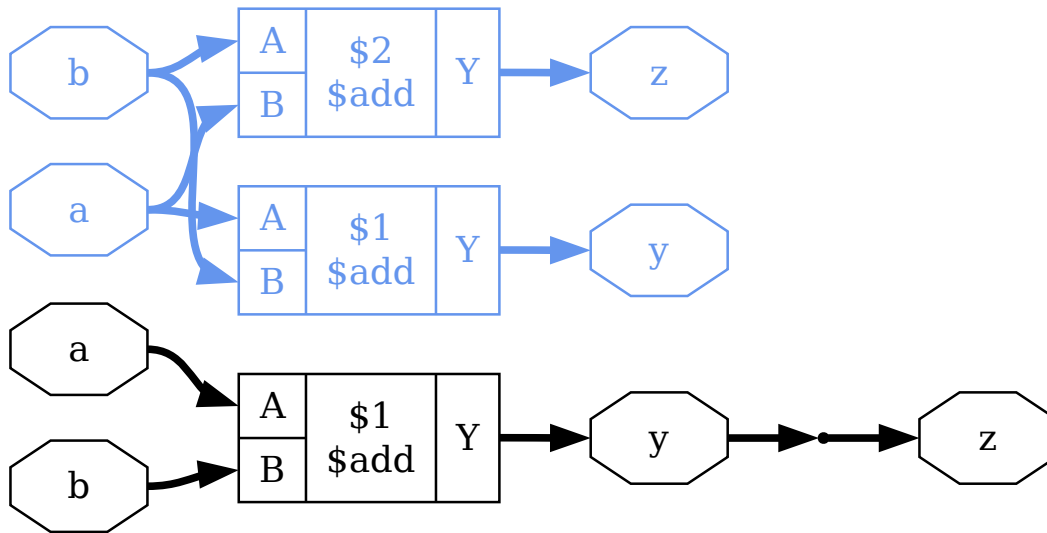
```

The output can never be `c`, as this would require `a` to be 1 for the outer multiplexer and 0 for the inner multiplexer. The *opt\_muxtrees* pass detects this contradiction and replaces the inner multiplexer with a constant 1, yielding the logic for `y = a ? b : d`.

### Simplifying large MUXes and AND/OR gates - *opt\_reduce*

This is a simple optimization pass that identifies and consolidates identical input bits to *\$reduce\_and* and *\$reduce\_or* cells. It also sorts the input bits to ease identification of shareable *\$reduce\_and* and *\$reduce\_or* cells in other passes.

This pass also identifies and consolidates identical inputs to multiplexer cells. In this case the new shared

Fig. 3.2: Before and after *opt\_merge*

select bit is driven using a *\$reduce\_or* cell that combines the original select bits.

Lastly this pass consolidates trees of *\$reduce\_and* cells and trees of *\$reduce\_or* cells to single large *\$reduce\_and* or *\$reduce\_or* cells.

These three simple optimizations are performed in a loop until a stable result is produced.

### Merging mutually exclusive cells with shared inputs - *opt\_share*

This pass identifies mutually exclusive cells of the same type that:

- share an input signal, and
- drive the same *\$mux*, *\$MUX\_*, or *\$pmux* multiplexing cell,

allowing the cell to be merged and the multiplexer to be moved from multiplexing its output to multiplexing the non-shared input signals.

Listing 3.18: example verilog for demonstrating *opt\_share*

```

module uut(
  input  [15:0] a, b,
  input      sel,
  output [15:0] res,
);
  assign res = {sel ? a + b : a - b};
endmodule

```

When running *opt* in full, the original *\$mux* (labeled \$3) is optimized away by *opt\_expr*.

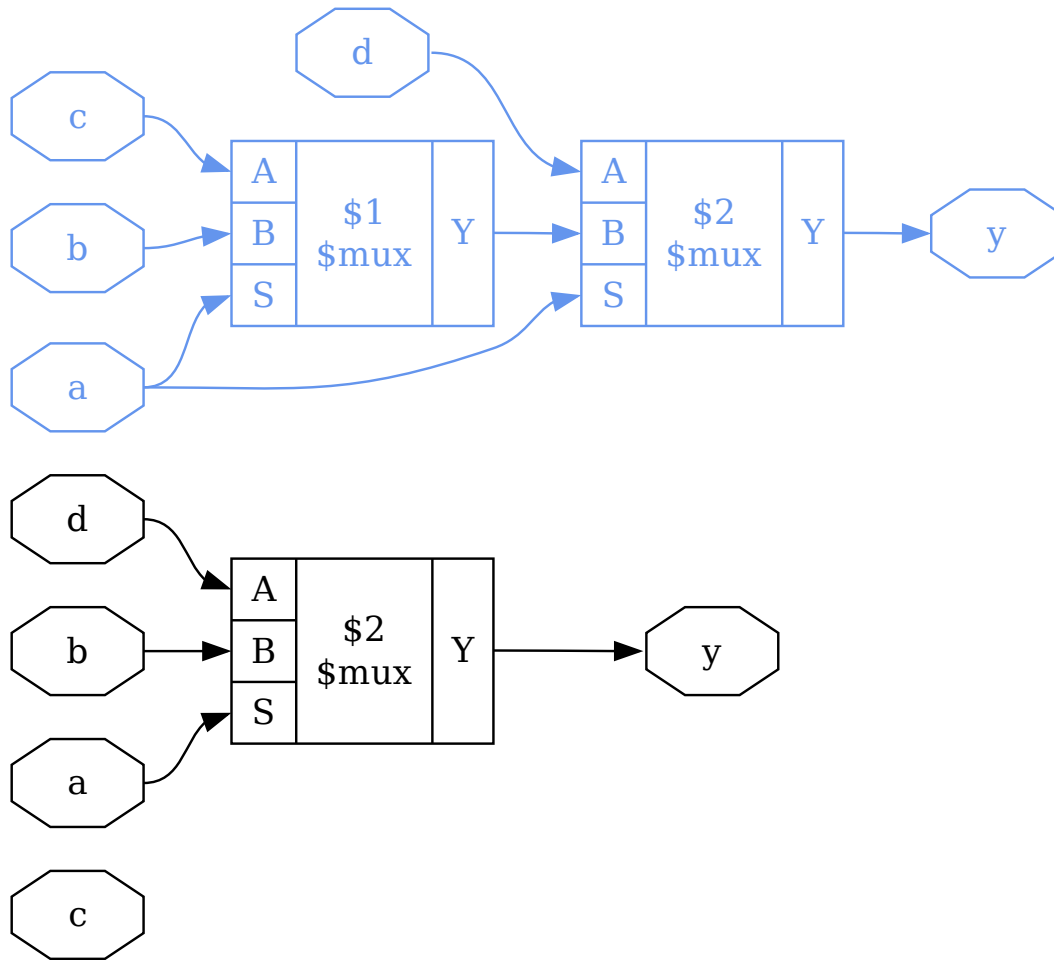
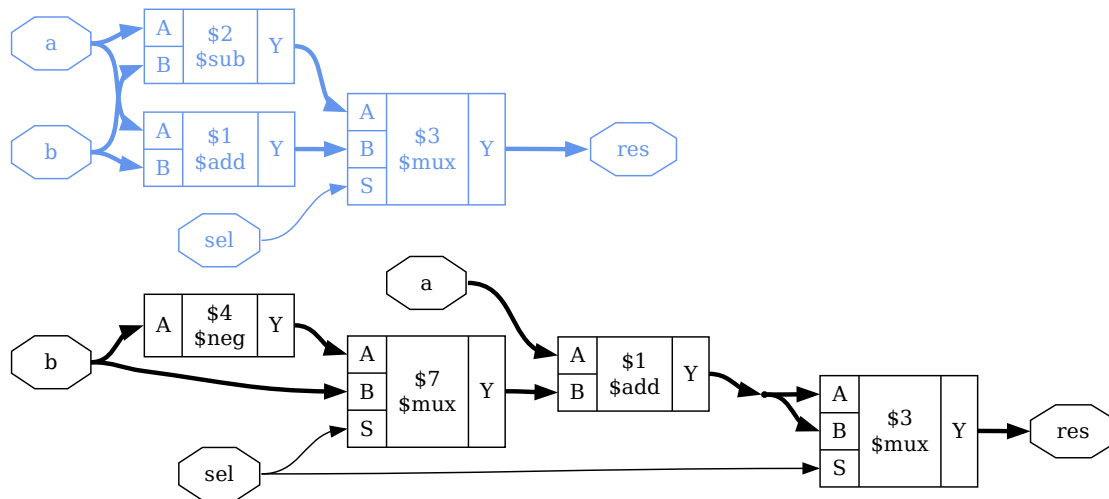


Fig. 3.3: Before and after `opt_muxtree`

Fig. 3.4: Before and after `opt_share`

### Performing DFF optimizations - `opt_dff`

#### Todo

`$_DFF_` isn't a valid cell

This pass identifies single-bit d-type flip-flops (`$_DFF_`, `$dff`, and `$adff` cells) with a constant data input and replaces them with a constant driver. It can also merge clock enables and synchronous reset multiplexers, removing unused control inputs.

Called with `-nodffe` and `-nosdff`, this pass is used to prepare a design for *FSM handling*.

### Hierarchical optimization - `opt_hier` pass

This pass considers the design hierarchy and propagates unused signals, constant signals, and tied-together signals across module boundaries to facilitate optimization by other passes.

### Removing unused cells and wires - `opt_clean` pass

This pass identifies unused signals and cells and removes them from the design. It also creates an `unused_bits` attribute on wires with unused bits. This attribute can be used for debugging or by other optimization passes.

### When to use `opt` or `clean`

Usually it does not hurt to call `opt` after each regular command in the synthesis script. But it increases the synthesis time, so it is favourable to only call `opt` when an improvement can be achieved.

It is generally a good idea to call `opt` before inherently expensive commands such as `sat` or `freduce`, as the possible gain is much higher in these cases as the possible loss.

The `clean` command, which is an alias for `opt_clean` with fewer outputs, on the other hand is very fast and many commands leave a mess (dangling signal wires, etc). For example, most commands do not remove any wires or cells. They just change the connections and depend on a later call to clean to get rid of the now unused objects. So the occasional `;;`, which itself is an alias for `clean`, is a good idea in every synthesis script, e.g:

```
hierarchy; proc; opt; memory; opt_expr;; fsm;;
```

## Other optimizations

### Todo

more on the other optimizations

- Check *Optimization passes* for more.
- `abc` and `abc9`, see also: *The ABC toolbox*.

## 3.1.6 Technology mapping

### Todo

less academic, check text is coherent

Previous chapters outlined how HDL code is transformed into an RTL netlist. The RTL netlist is still based on abstract coarse-grain cell types like arbitrary width adders and even multipliers. This chapter covers how an RTL netlist is transformed into a functionally equivalent netlist utilizing the cell types available in the target architecture.

Technology mapping is often performed in two phases. In the first phase RTL cells are mapped to an internal library of single-bit cells (see *Gate-level cells*). In the second phase this netlist of internal gate types is transformed to a netlist of gates from the target technology library.

When the target architecture provides coarse-grain cells (such as block ram or ALUs), these must be mapped to directly form the RTL netlist, as information on the coarse-grain structure of the design is lost when it is mapped to bit-width gate types.

### Cell substitution

The simplest form of technology mapping is cell substitution, as performed by the `techmap` pass. This pass, when provided with a Verilog file that implements the RTL cell types using simpler cells, simply replaces the RTL cells with the provided implementation.

When no map file is provided, `techmap` uses a built-in map file that maps the Yosys RTL cell types to the internal gate library used by Yosys. The curious reader may find this map file as `techlibs/common/techmap.v` in the Yosys source tree.

Additional features have been added to `techmap` to allow for conditional mapping of cells (see *Technology mapping*). This can for example be useful if the target architecture supports hardware multipliers for certain bit-widths but not for others.

A usual synthesis flow would first use the `techmap` pass to directly map some RTL cells to coarse-grain cells provided by the target architecture (if any) and then use `techmap` with the built-in default file to map the remaining RTL cells to gate logic.

## Subcircuit substitution

Sometimes the target architecture provides cells that are more powerful than the RTL cells used by Yosys. For example a cell in the target architecture that can calculate the absolute-difference of two numbers does not match any single RTL cell type but only combinations of cells.

For these cases Yosys provides the `extract` pass that can match a given set of modules against a design and identify the portions of the design that are identical (i.e. isomorphic subcircuits) to any of the given modules. These matched subcircuits are then replaced by instances of the given modules.

The `extract` pass also finds basic variations of the given modules, such as swapped inputs on commutative cell types.

In addition to this the `extract` pass also has limited support for frequent subcircuit mining, i.e. the process of finding recurring subcircuits in the design. This has a few applications, including the design of new coarse-grain architectures [GW13].

The hard algorithmic work done by the `extract` pass (solving the isomorphic subcircuit problem and frequent subcircuit mining) is performed using the `SubCircuit` library that can also be used stand-alone without Yosys (see *SubCircuit*).

## Gate-level technology mapping

### Todo

newer techmap libraries appear to be largely `.v` instead of `.lib`

On the gate-level the target architecture is usually described by a “Liberty file”. The Liberty file format is an industry standard format that can be used to describe the behaviour and other properties of standard library cells .

Mapping a design utilizing the Yosys internal gate library (e.g. as a result of mapping it to this representation using the `techmap` pass) is performed in two phases.

First the register cells must be mapped to the registers that are available on the target architectures. The target architecture might not provide all variations of d-type flip-flops with positive and negative clock edge, high-active and low-active asynchronous set and/or reset, etc. Therefore the process of mapping the registers might add additional inverters to the design and thus it is important to map the register cells first.

Mapping of the register cells may be performed by using the `dfflibmap` pass. This pass expects a Liberty file as argument (using the `-liberty` option) and only uses the register cells from the Liberty file.


Secondly the combinational logic must be mapped to the target architecture. This is done using the external program ABC via the `abc` pass by using the `-liberty` option to the pass. Note that in this case only the combinatorial cells are used from the cell library.

Occasionally Liberty files contain trade secrets (such as sensitive timing information) that cannot be shared freely. This complicates processes such as reporting bugs in the tools involved. When the information in the Liberty file used by Yosys and ABC are not part of the sensitive information, the additional tool `yosys-filterlib` (see *yosys-filterlib*) can be used to strip the sensitive information from the Liberty file.

### 3.1.7 The `extract` pass

- Like the `techmap` pass, the `extract` pass is called with a map file. It compares the circuits inside the modules of the map file with the design and looks for sub-circuits in the design that match any of the modules in the map file.

- If a match is found, the *extract* pass will replace the matching subcircuit with an instance of the module from the map file.
- In a way the *extract* pass is the inverse of the techmap pass.

 **Todo**

add/expand supporting text, also mention custom pattern matching and pmgen

Example code can be found in `docs/source/code_examples/macc`.

```
read_verilog macc_simple_test.v
hierarchy -check -top test;;
```

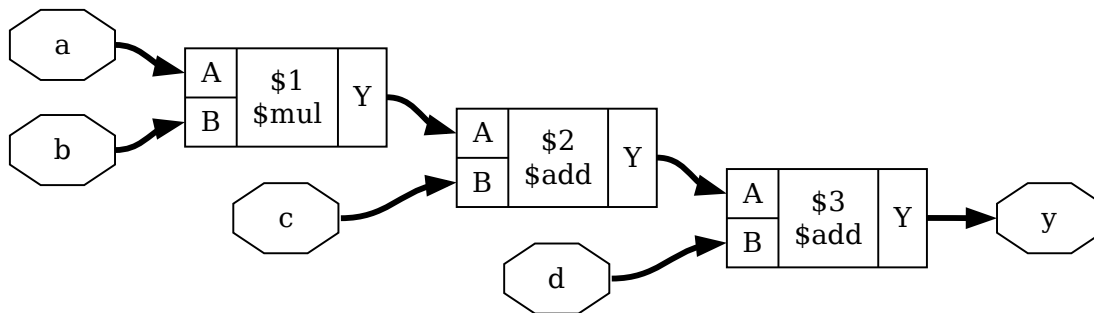


Fig. 3.5: before *extract*

```
extract -constports -map macc_simple_xmap.v;;
```

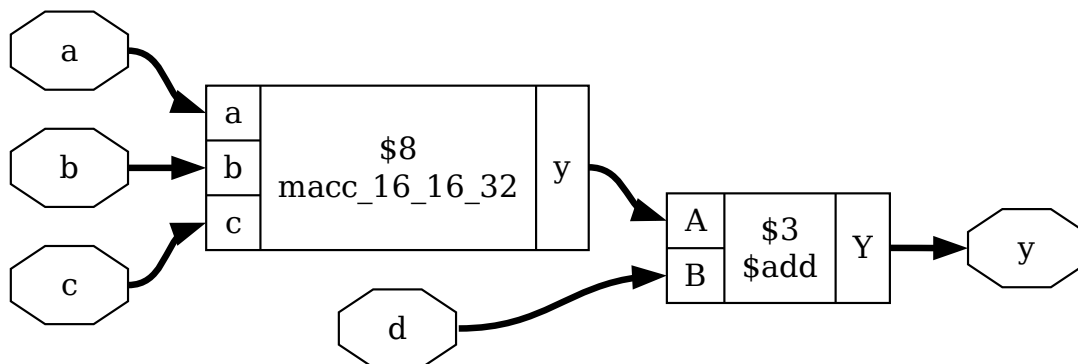


Fig. 3.6: after *extract*

Listing 3.19: macc\_simple\_test.v

```

module test(a, b, c, d, y);
input [15:0] a, b;
input [31:0] c, d;
output [31:0] y;
assign y = a * b + c + d;
endmodule

```

Listing 3.20: macc\_simple\_xmap.v

```

module macc_16_16_32(a, b, c, y);
input [15:0] a, b;
input [31:0] c;
output [31:0] y;
assign y = a*b + c;
endmodule

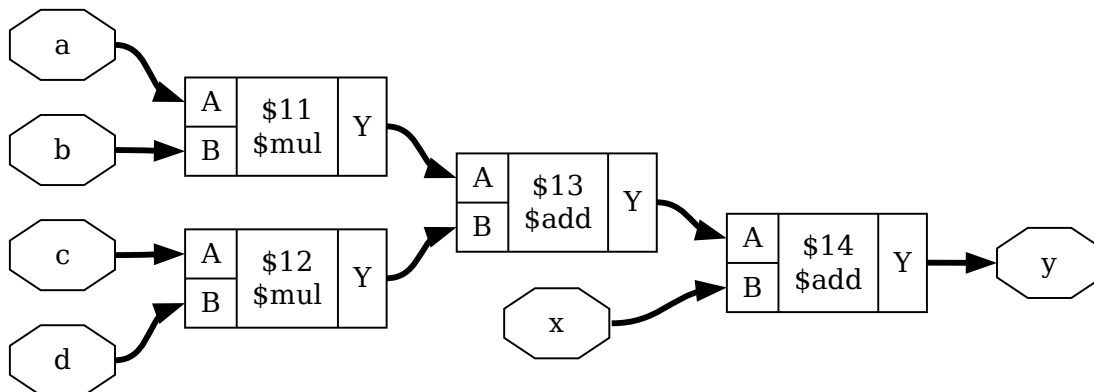
```

Listing 3.21: macc\_simple\_test\_01.v

```

module test(a, b, c, d, x, y);
input [15:0] a, b, c, d;
input [31:0] x;
output [31:0] y;
assign y = a*b + c*d + x;
endmodule

```



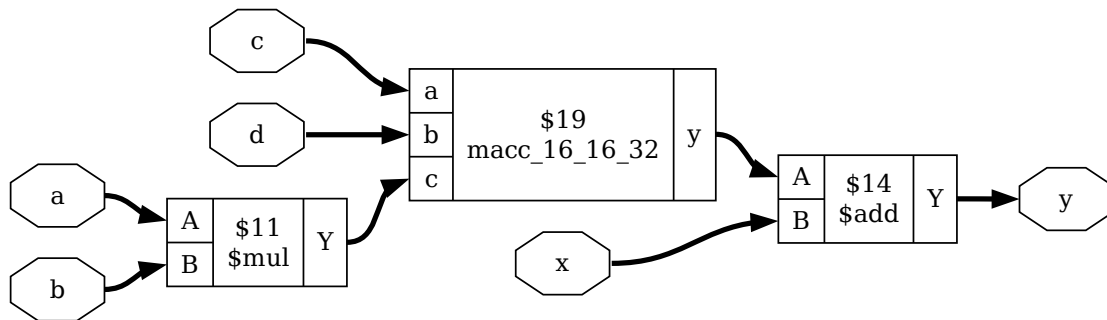
Listing 3.22: macc\_simple\_test\_02.v

```

module test(a, b, c, d, x, y);
input [15:0] a, b, c, d;
input [31:0] x;
output [31:0] y;
assign y = a*b + (c*d + x);

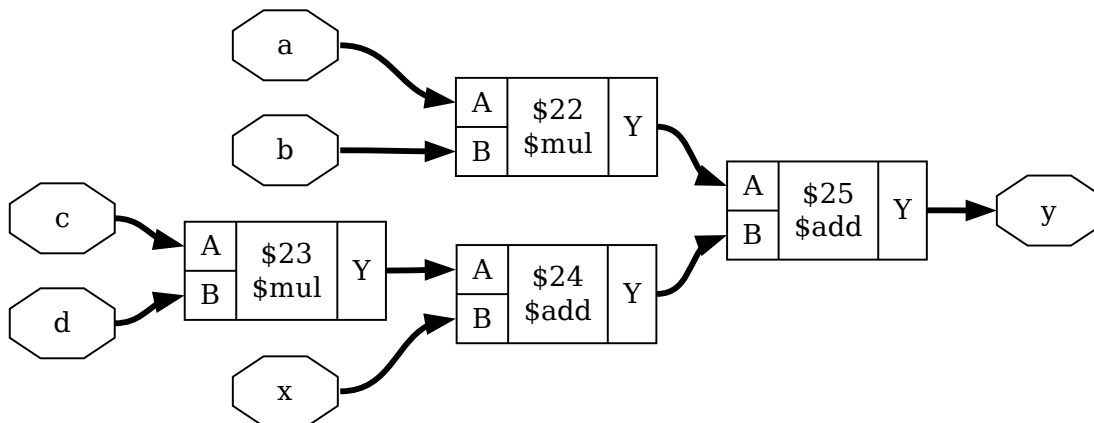
```

(continues on next page)



(continued from previous page)

endmodule



### The wrap-extract-unwrap method

Often a coarse-grain element has a constant bit-width, but can be used to implement operations with a smaller bit-width. For example, a 18x25-bit multiplier can also be used to implement 16x20-bit multiplication.

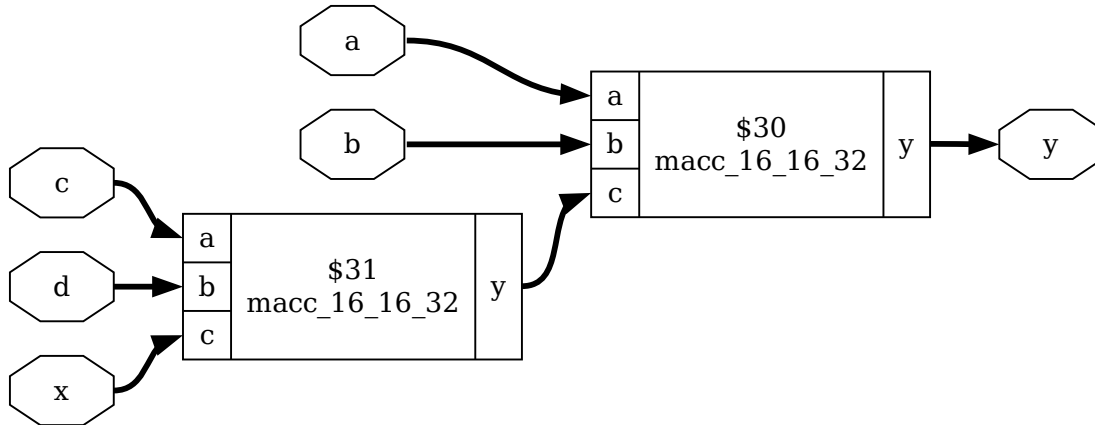
A way of mapping such elements in coarse grain synthesis is the wrap-extract-unwrap method:

#### wrap

Identify candidate-cells in the circuit and wrap them in a cell with a constant wider bit-width using *techmap*. The wrappers use the same parameters as the original cell, so the information about the original width of the ports is preserved. Then use the *connwrappers* command to connect up the bit-extended in- and outputs of the wrapper cells.

#### extract

Now all operations are encoded using the same bit-width as the coarse grain element. The *extract* command can be used to replace circuits with cells of the target architecture.

**unwrap**

The remaining wrapper cell can be unwrapped using *techmap*.

**Example: DSP48\_MACC**

This section details an example that shows how to map MACC operations of arbitrary size to MACC cells with a 18x25-bit multiplier and a 48-bit adder (such as the Xilinx DSP48 cells).

Preconditioning: `macc_xilinx_swap_map.v`

Make sure A is the smaller port on all multipliers

**Todo**

add/expand supporting text

Listing 3.23: `macc_xilinx_swap_map.v`

```
(* techmap_celltype = "$mul" *)
module mul_swap_ports (A, B, Y);

parameter A_SIGNED = 0;
parameter B_SIGNED = 0;
parameter A_WIDTH = 1;
parameter B_WIDTH = 1;
parameter Y_WIDTH = 1;

input [A_WIDTH-1:0] A;
input [B_WIDTH-1:0] B;
output [Y_WIDTH-1:0] Y;

wire _TECHMAP_FAIL_ = A_WIDTH <= B_WIDTH;

\ $mul #(
```

(continues on next page)

(continued from previous page)

```

        .A_SIGNED(B_SIGNED),
        .B_SIGNED(A_SIGNED),
        .A_WIDTH(B_WIDTH),
        .B_WIDTH(A_WIDTH),
        .Y_WIDTH(Y_WIDTH)
    ) _TECHMAP_REPLACE_ (
        .A(B),
        .B(A),
        .Y(Y)
    );
endmodule

```

Wrapping multipliers: macc\_xilinx\_wrap\_map.v

Listing 3.24: macc\_xilinx\_wrap\_map.v

```

(* techmap_celltype = "$mul" *)
module mul_wrap (A, B, Y);

parameter A_SIGNED = 0;
parameter B_SIGNED = 0;
parameter A_WIDTH = 1;
parameter B_WIDTH = 1;
parameter Y_WIDTH = 1;

input [A_WIDTH-1:0] A;
input [B_WIDTH-1:0] B;
output [Y_WIDTH-1:0] Y;

wire [17:0] A_18 = A;
wire [24:0] B_25 = B;
wire [47:0] Y_48;
assign Y = Y_48;

wire [1023:0] _TECHMAP_DO_ = "proc; clean";

reg _TECHMAP_FAIL_;
initial begin
    _TECHMAP_FAIL_ <= 0;
    if (A_SIGNED || B_SIGNED)
        _TECHMAP_FAIL_ <= 1;
    if (A_WIDTH < 4 || B_WIDTH < 4)
        _TECHMAP_FAIL_ <= 1;
    if (A_WIDTH > 18 || B_WIDTH > 25)
        _TECHMAP_FAIL_ <= 1;
    if (A_WIDTH*B_WIDTH < 100)
        _TECHMAP_FAIL_ <= 1;
end

\$_mul_wrapper #(
    .A_SIGNED(A_SIGNED),

```

(continues on next page)

(continued from previous page)

```

        .B_SIGNED(B_SIGNED),
        .A_WIDTH(A_WIDTH),
        .B_WIDTH(B_WIDTH),
        .Y_WIDTH(Y_WIDTH)
    ) _TECHMAP_REPLACE_ (
        .A(A_18),
        .B(B_25),
        .Y(Y_48)
    );
endmodule

```

Wrapping adders: `macc_xilinx_wrap_map.v`Listing 3.25: `macc_xilinx_wrap_map.v`

```

(* techmap_celltype = "$add" *)
module add_wrap (A, B, Y);

parameter A_SIGNED = 0;
parameter B_SIGNED = 0;
parameter A_WIDTH = 1;
parameter B_WIDTH = 1;
parameter Y_WIDTH = 1;

input [A_WIDTH-1:0] A;
input [B_WIDTH-1:0] B;
output [Y_WIDTH-1:0] Y;

wire [47:0] A_48 = A;
wire [47:0] B_48 = B;
wire [47:0] Y_48;
assign Y = Y_48;

wire [1023:0] _TECHMAP_DO_ = "proc; clean";

reg _TECHMAP_FAIL_;
initial begin
    _TECHMAP_FAIL_ <= 0;
    if (A_SIGNED || B_SIGNED)
        _TECHMAP_FAIL_ <= 1;
    if (A_WIDTH < 10 && B_WIDTH < 10)
        _TECHMAP_FAIL_ <= 1;
end

\$_add_wrapper #(
    .A_SIGNED(A_SIGNED),
    .B_SIGNED(B_SIGNED),
    .A_WIDTH(A_WIDTH),
    .B_WIDTH(B_WIDTH),
    .Y_WIDTH(Y_WIDTH)
) _TECHMAP_REPLACE_ (

```

(continues on next page)

(continued from previous page)

```

        .A(A_48),
        .B(B_48),
        .Y(Y_48)
    );

endmodule

```

Extract: macc\_xilinx\_xmap.v

Listing 3.26: macc\_xilinx\_xmap.v

```

module DSP48_MACC (a, b, c, y);

input [17:0] a;
input [24:0] b;
input [47:0] c;
output [47:0] y;

assign y = a*b + c;

endmodule

```

... simply use the same wrapping commands on this module as on the design to create a template for the *extract* command.

Unwrapping multipliers: macc\_xilinx\_unwrap\_map.v

Listing 3.27: `$_mul_wrapper` module in `macc_xilinx_unwrap_map.v`

```

module \$_mul_wrapper (A, B, Y);

parameter A_SIGNED = 0;
parameter B_SIGNED = 0;
parameter A_WIDTH = 1;
parameter B_WIDTH = 1;
parameter Y_WIDTH = 1;

input [17:0] A;
input [24:0] B;
output [47:0] Y;

wire [A_WIDTH-1:0] A_ORIG = A;
wire [B_WIDTH-1:0] B_ORIG = B;
wire [Y_WIDTH-1:0] Y_ORIG;
assign Y = Y_ORIG;

\$_mul #(
    .A_SIGNED(A_SIGNED),
    .B_SIGNED(B_SIGNED),
    .A_WIDTH(A_WIDTH),
    .B_WIDTH(B_WIDTH),
    .Y_WIDTH(Y_WIDTH)

```

(continues on next page)

(continued from previous page)

```

) _TECHMAP_REPLACE_ (
    .A(A_ORIG),
    .B(B_ORIG),
    .Y(Y_ORIG)
);

endmodule

```

Unwrapping adders: `macx_xilinx_unwrap_map.v`

Listing 3.28: `$_add_wrapper` module in `macx_xilinx_unwrap_map.v`

```

module \$_add_wrapper (A, B, Y);

parameter A_SIGNED = 0;
parameter B_SIGNED = 0;
parameter A_WIDTH = 1;
parameter B_WIDTH = 1;
parameter Y_WIDTH = 1;

input [47:0] A;
input [47:0] B;
output [47:0] Y;

wire [A_WIDTH-1:0] A_ORIG = A;
wire [B_WIDTH-1:0] B_ORIG = B;
wire [Y_WIDTH-1:0] Y_ORIG;
assign Y = Y_ORIG;

\$_add #(
    .A_SIGNED(A_SIGNED),
    .B_SIGNED(B_SIGNED),
    .A_WIDTH(A_WIDTH),
    .B_WIDTH(B_WIDTH),
    .Y_WIDTH(Y_WIDTH)
) _TECHMAP_REPLACE_ (
    .A(A_ORIG),
    .B(B_ORIG),
    .Y(Y_ORIG)
);

endmodule

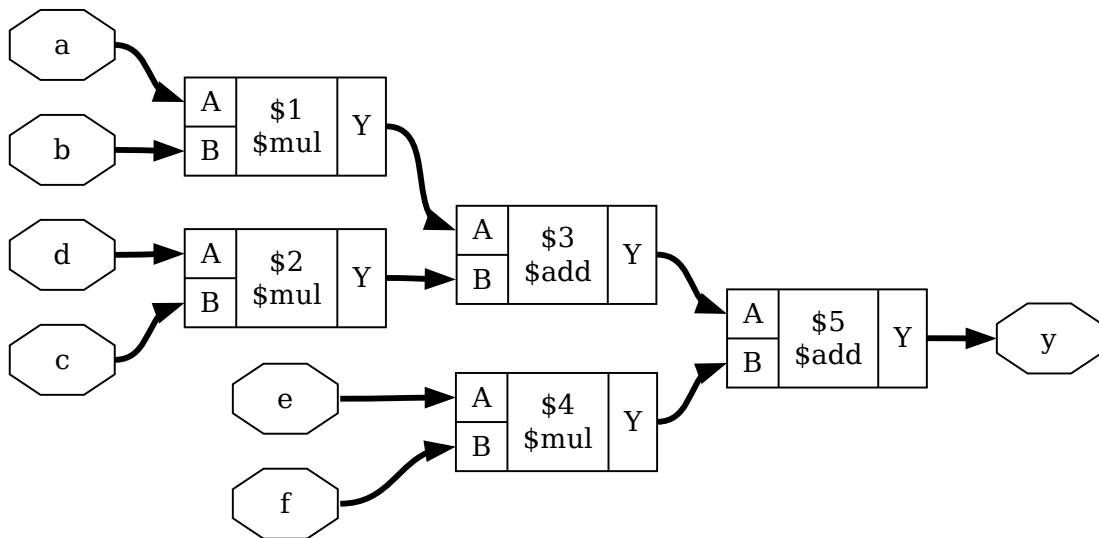
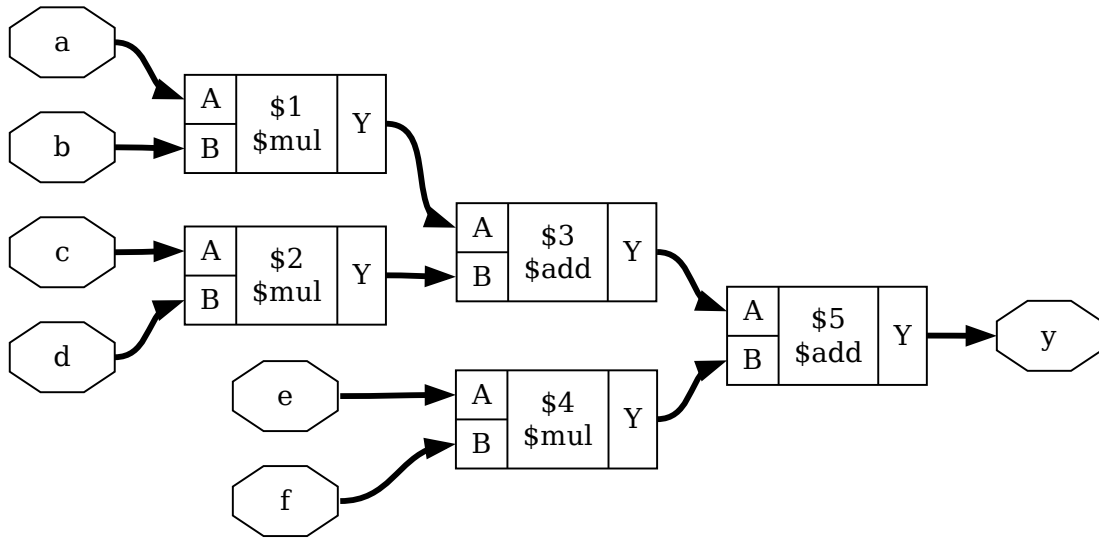
```

Listing 3.29: `test1` of `macx_xilinx_test.v`

```

module test1(a, b, c, d, e, f, y);
    input [19:0] a, b, c;
    input [15:0] d, e, f;
    output [41:0] y;
    assign y = a*b + c*d + e*f;
endmodule

```

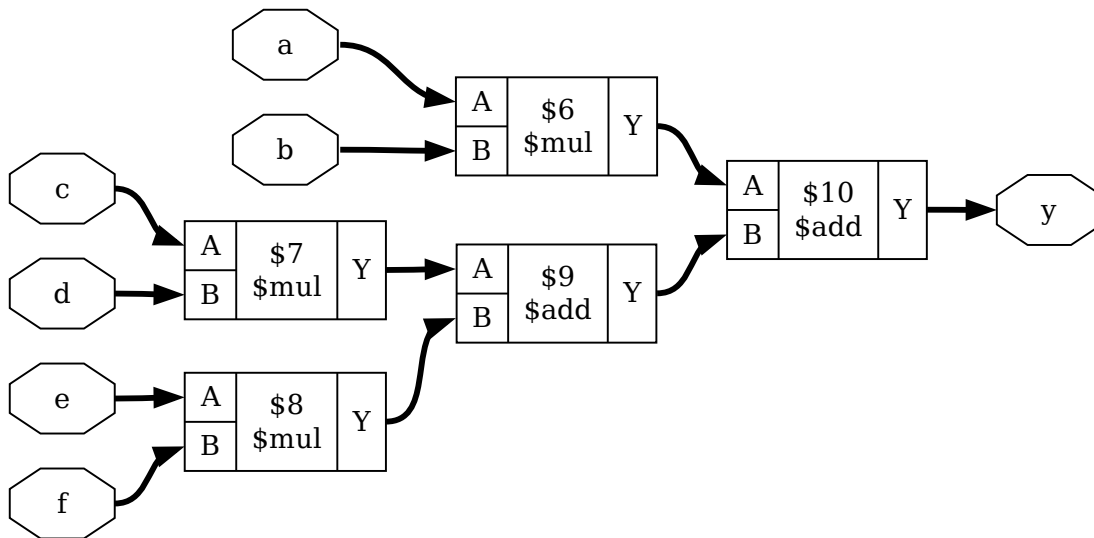


Listing 3.30: test2 of macc\_xilinx\_test.v

```

module test2(a, b, c, d, e, f, y);
  input [19:0] a, b, c;
  input [15:0] d, e, f;
  output [41:0] y;
  assign y = a*b + (c*d + e*f);
endmodule

```



Wrapping in test1:

```

techmap -map macc_xilinx_wrap_map.v

connwrappers -unsigned $__mul_wrapper Y Y_WIDTH \
             -unsigned $__add_wrapper Y Y_WIDTH;;

```

Wrapping in test2:

```

techmap -map macc_xilinx_wrap_map.v

connwrappers -unsigned $__mul_wrapper Y Y_WIDTH \
             -unsigned $__add_wrapper Y Y_WIDTH;;

```

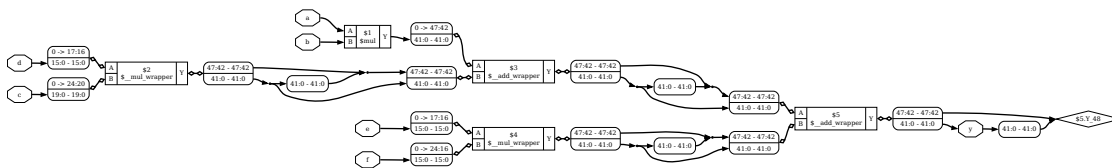
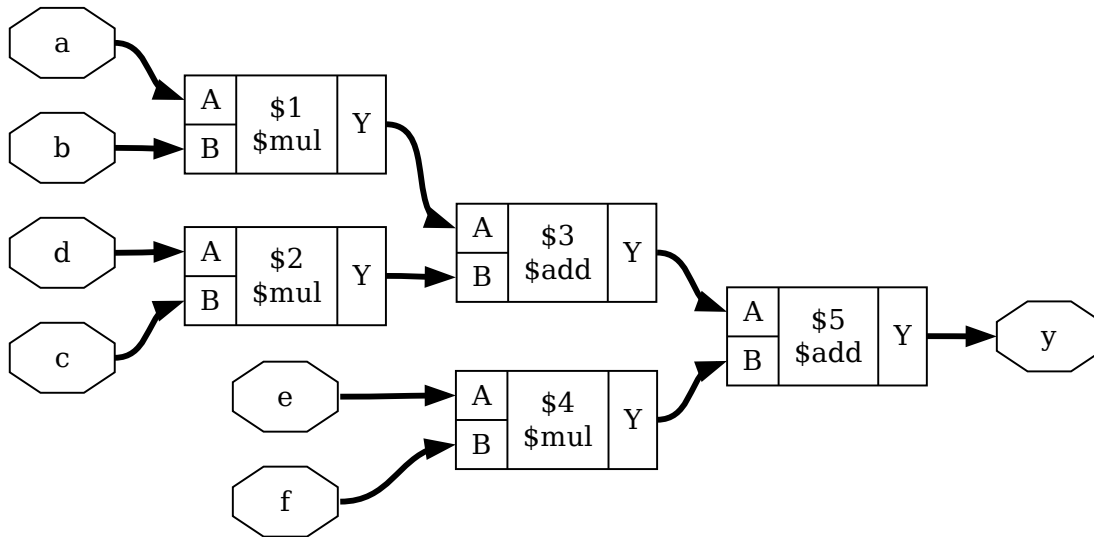
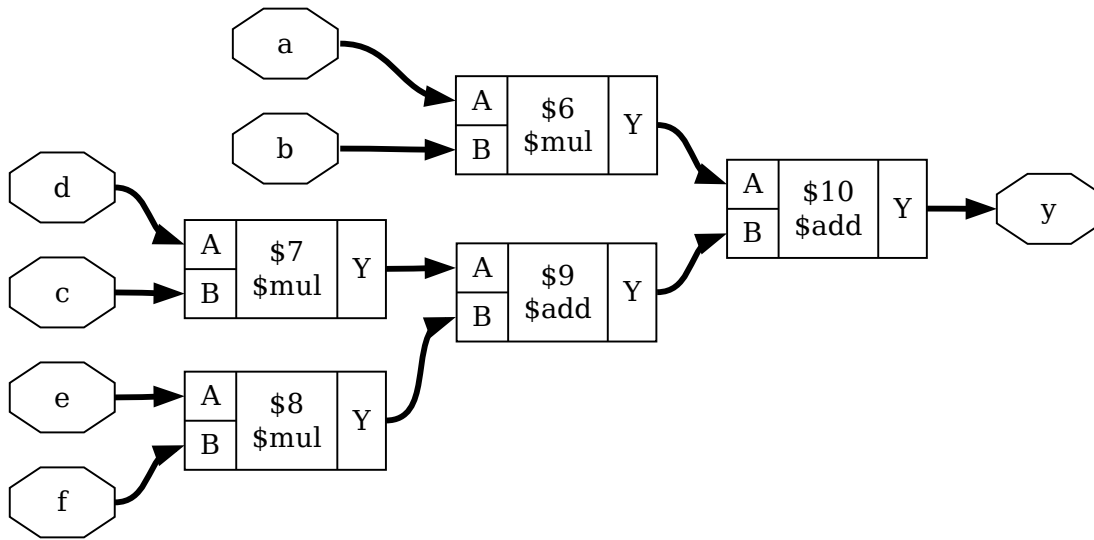
Extract in test1:

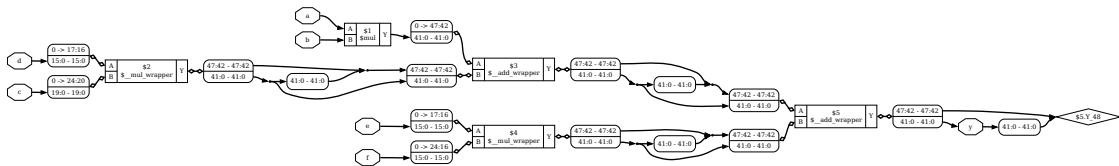
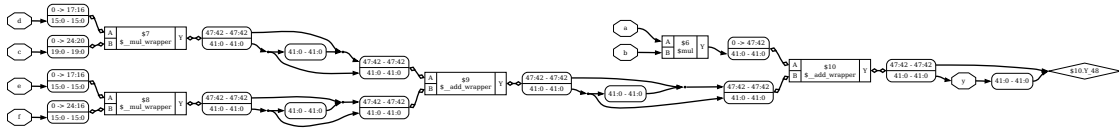
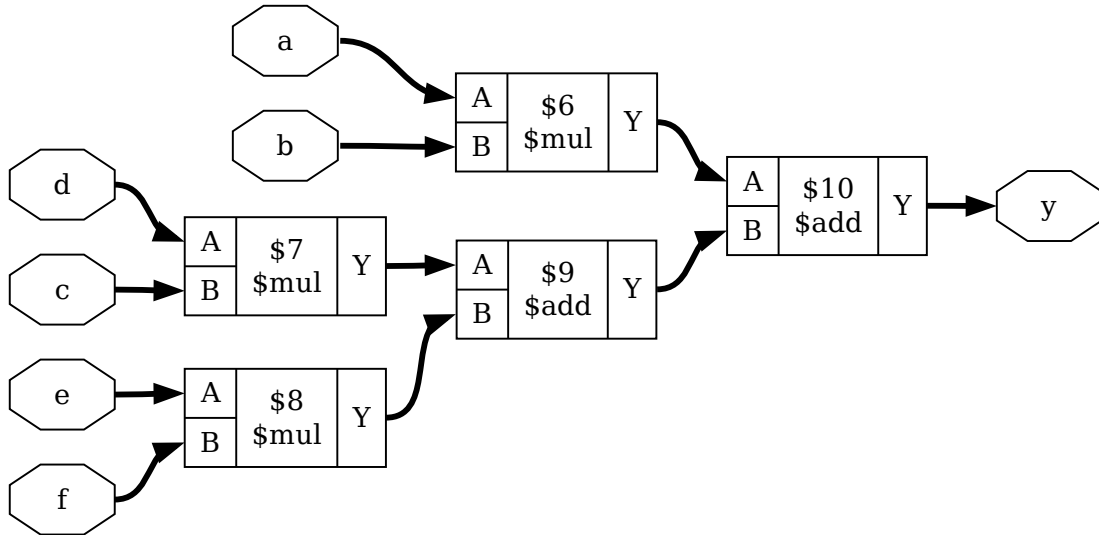
```

design -push
read_verilog macc_xilinx_xmap.v
techmap -map macc_xilinx_swap_map.v
techmap -map macc_xilinx_wrap_map.v;;
design -save __macc_xilinx_xmap

```

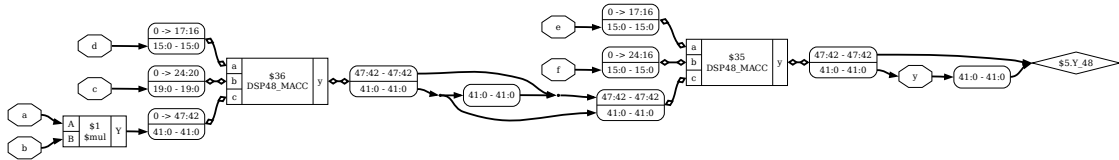
(continues on next page)



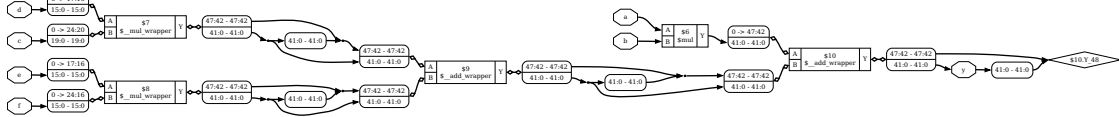


(continued from previous page)

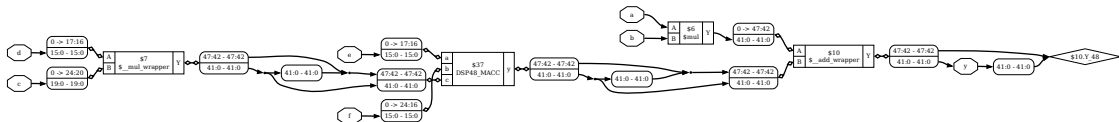
```
design -pop
extract -constports -ignore_parameters \
    -map %_macc_xilinx_xmap \
    -swap $_add_wrapper A,B ;;
```



Extract in test2:

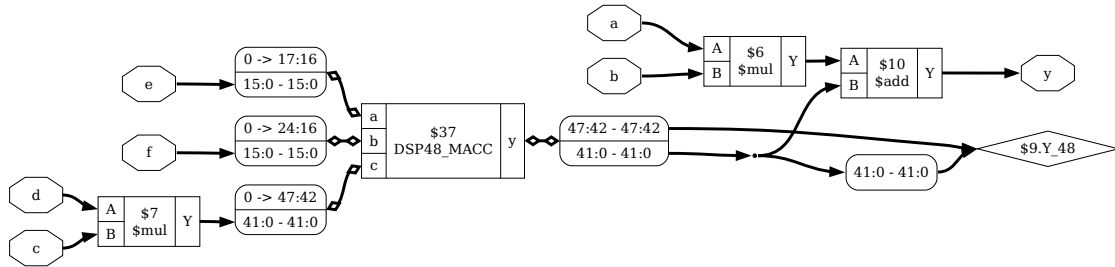
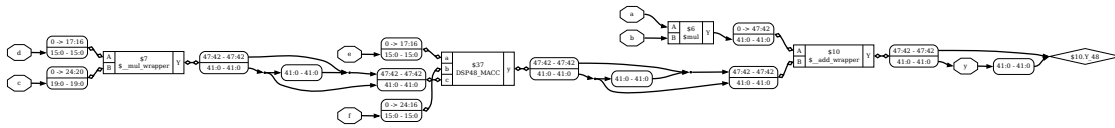


```
design -push
read_verilog macc_xilinx_xmap.v
techmap -map macc_xilinx_swap_map.v
techmap -map macc_xilinx_wrap_map.v;;
design -save __macc_xilinx_xmap
design -pop
extract -constports -ignore_parameters \
    -map %_macc_xilinx_xmap \
    -swap $_add_wrapper A,B ;;
```



Unwrap in test2:

```
techmap -map macc_xilinx_unwrap_map.v;;
```



### 3.1.8 The ABC toolbox

ABC, from the University of California, Berkeley, is a logic toolbox used for fine-grained optimisation and LUT mapping.

Yosys has two different commands, which both use this logic toolbox, but use it in different ways.

The `abc` pass can be used for both ASIC (e.g. `abc -liberty`) and FPGA (`abc -lut`) mapping, but this page will focus on FPGA mapping.

The `abc9` pass generally provides superior mapping quality due to being aware of combination boxes and DFF and LUT timings, giving it a more global view of the mapping problem.

#### ABC: the unit delay model, simple and efficient

The `abc` pass uses a highly simplified view of an FPGA:

- An FPGA is made up of a network of inputs that connect through LUTs to a network of outputs. These inputs may actually be I/O pins, D flip-flops, memory blocks or DSPs, but ABC is unaware of this.
- Each LUT has 1 unit of delay between an input and its output, and this applies for all inputs of a LUT, and for all sizes of LUT up to the maximum LUT size allowed; e.g. the delay between the input of a LUT2 and its output is the same as the delay between the input of a LUT6 and its output.
- A LUT may take up a variable number of area units. This is constant for each size of LUT; e.g. a LUT4 may take up 1 unit of area, but a LUT5 may take up 2 units of area, but this applies for all LUT4s and LUT5s.

This is known as the “unit delay model”, because each LUT uses one unit of delay.

From this view, the problem ABC has to solve is finding a mapping of the network to LUTs that has the lowest delay, and then optimising the mapping for size while maintaining this delay.

This approach has advantages:

- It is simple and easy to implement.

- Working with unit delays is fast to manipulate.
- It reflects *some* FPGA families, for example, the iCE40HX/LP fits the assumptions of the unit delay model quite well (almost all synchronous blocks, except for adders).

But this approach has drawbacks, too:

- The network of inputs and outputs with only LUTs means that a lot of combinational cells (multipliers and LUTRAM) are invisible to the unit delay model, meaning the critical path it optimises for is not necessarily the actual critical path.
- LUTs are implemented as multiplexer trees, so there is a delay caused by the result propagating through the remaining multiplexers. This means the assumption of delay being equal isn't true in physical hardware, and is proportionally larger for larger LUTs.
- Even synchronous blocks have arrival times (propagation delay between clock edge to output changing) and setup times (requirement for input to be stable before clock edge) which affect the delay of a path.

### ABC9: the generalised delay model, realistic and flexible

ABC9 uses a more detailed and accurate model of an FPGA:

- An FPGA is made up of a network of inputs that connect through LUTs and combinational boxes to a network of outputs. These boxes have specified delays between inputs and outputs, and may have an associated network (“white boxes”) or not (“black boxes”), but must be treated as a whole.
- Each LUT has a specified delay between an input and its output in arbitrary delay units, and this varies for all inputs of a LUT and for all sizes of LUT, but each size of LUT has the same associated delay; e.g. the delay between input A and output is different between a LUT2 and a LUT6, but is constant for all LUT6s.
- A LUT may take up a variable number of area units. This is constant for each size of LUT; e.g. a LUT4 may take up 1 unit of area, but a LUT5 may take up 2 units of area, but this applies for all LUT4s and LUT5s.

This is known as the “generalised delay model”, because it has been generalised to arbitrary delay units. ABC9 doesn't actually care what units you use here, but the Yosys convention is picoseconds. Note the introduction of boxes as a concept. While the generalised delay model does not require boxes, they naturally fit into it to represent combinational delays. Even synchronous delays like arrival and setup can be emulated with combinational boxes that act as a delay. This is further extended to white boxes, where the mapper is able to see inside a box, and remove orphan boxes with no outputs, such as adders.

Again, ABC9 finds a mapping of the network to LUTs that has the lowest delay, and then minimises it to find the lowest area, but it has a lot more information to work with about the network.

The result here is that ABC9 can remove boxes (like adders) to reduce area, optimise better around those boxes, and also permute inputs to give the critical path the fastest inputs.

#### Todo

more about logic minimization & register balancing et al with ABC

### Setting up a flow for ABC9

Much of the configuration comes from attributes and `specify` blocks in Verilog simulation models.

## specify syntax

Since `specify` is a relatively obscure part of the Verilog standard, a quick guide to the syntax:

```

specify                                // begins a specify block
  (A => B) = 123;                          // simple combinational path from A to B with a delay
  ↳ of 123.
  (A *> B) = 123;                          // simple combinational path from A to all bits of B
  ↳ with a delay of 123 for all.
  if (FOO) (A => B) = 123;                 // paths may apply under specific conditions.
  (posedge CLK => (Q : D)) = 123;          // combinational path triggered on the positive edge
  ↳ of CLK; used for clock-to-Q arrival paths.
  $setup(A, posedge CLK, 123);            // setup constraint for an input relative to a clock.
endspecify                               // ends a specify block

```

By convention, all delays in `specify` blocks are in integer picoseconds. Files containing `specify` blocks should be read with the `-specify` option to `read_verilog` so that they aren't skipped.

## LUTs

LUTs need to be annotated with an `(* abc9_lut=N *)` attribute, where `N` is the relative area of that LUT model. For example, if an architecture can combine LUTs to produce larger LUTs, then the combined LUTs would have increasingly larger `N`. Conversely, if an architecture can split larger LUTs into smaller LUTs, then the smaller LUTs would have smaller `N`.

LUTs are generally specified with simple combinational paths from the LUT inputs to the LUT output.

## DFFs

DFFs should be annotated with an `(* abc9_flop *)` attribute, however ABC9 has some specific requirements for this to be valid: - the DFF must initialise to zero (consider using `dfflegalize` to ensure this). - the DFF cannot have any asynchronous resets/sets (see the simplification idiom and the Boxes section for what to do here).

It is worth noting that in pure `abc9` mode, only the setup and arrival times are passed to ABC9 (specifically, they are modelled as buffers with the given delay). In `abc9 -dff`, the flop itself is passed to ABC9, permitting sequential optimisations.

Some vendors have universal DFF models which include async sets/resets even when they're unused. Therefore *the simplification idiom* exists to handle this: by using a `techmap` file to discover flops which have a constant driver to those asynchronous controls, they can be mapped into an intermediate, simplified flop which qualifies as an `(* abc9_flop *)`, ran through `abc9`, and then mapped back to the original flop. This is used in `synth_intel_alm` and `synth_quicklogic` for the PolarPro3.

DFFs are usually specified to have setup constraints against the clock on the input signals, and an arrival time for the `Q` output.

## Boxes

A “box” is a purely-combinational piece of hard logic. If the logic is exposed to ABC9, it's a “whitebox”, otherwise it's a “blackbox”. Carry chains would be best implemented as whiteboxes, but a DSP would be best implemented as a blackbox (multipliers are too complex to easily work with). LUT RAMs can be implemented as whiteboxes too.

Boxes are arguably the biggest advantage that ABC9 has over ABC: by being aware of carry chains and DSPs, it avoids optimising for a path that isn't the actual critical path, while the generally-longer paths

result in ABC9 being able to reduce design area by mapping other logic to slower cells with greater logic density.

### 3.1.9 Mapping to cell libraries

While much of this documentation focuses on the use of Yosys with FPGAs, it is also possible to map to cell libraries which can be used in designing ASICs. This section will cover a brief [example project](#), available in the Yosys source code under `docs/source/code_examples/intro/`. The project contains a simple ASIC synthesis script (`counter.y`), a digital design written in Verilog (`counter.v`), and a simple CMOS cell library (`mycells.lib`). Many of the early steps here are already covered in more detail in the *Synthesis starter* document.

#### Note

The `counter.y` script includes the commands used to generate the images in this document. Code snippets in this document skip these commands; including line numbers to allow the reader to follow along with the source.

To learn more about these commands, check out *A look at the show command*.

#### A simple counter

First, let's quickly look at the design:

Listing 3.31: `counter.v`

```

1 module counter (clk, rst, en, count);
2
3     input clk, rst, en;
4     output reg [1:0] count;
5
6     always @(posedge clk)
7         if (rst)
8             count <= 2'd0;
9         else if (en)
10            count <= count + 2'd1;
11
12 endmodule

```

This is a simple counter with reset and enable. If the reset signal, `rst`, is high then the counter will reset to 0. Otherwise, if the enable signal, `en`, is high then the `count` register will increment by 1 each rising edge of the clock, `clk`.

#### Loading the design

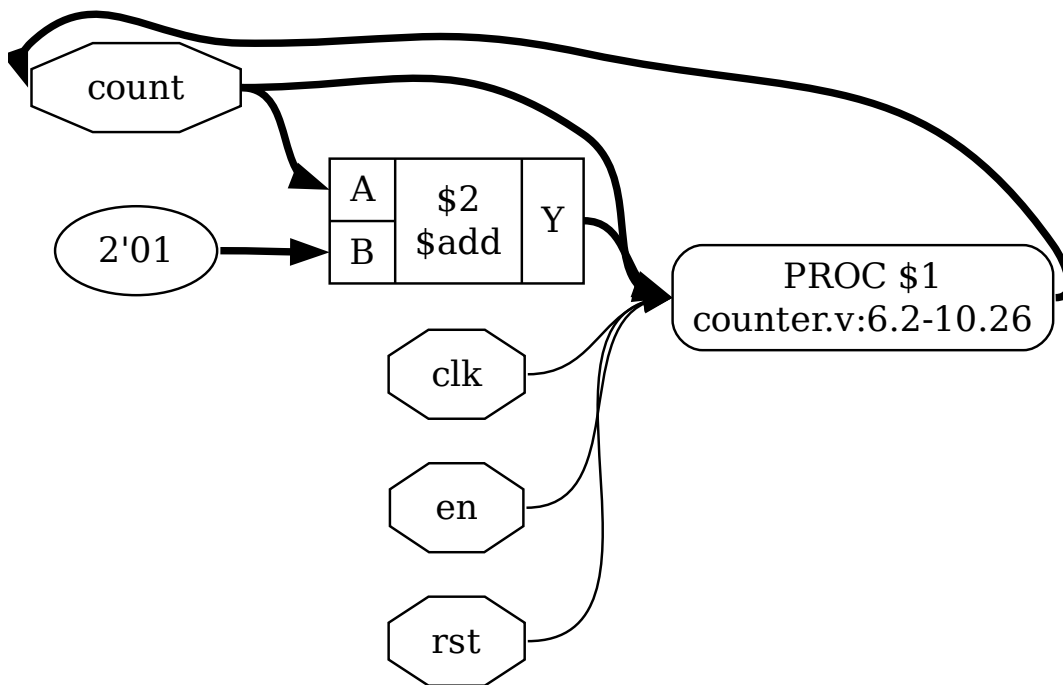
Listing 3.32: `counter.y` - read design

```

1 # read design
2 read_verilog counter.v
3 hierarchy -check -top counter

```

Our circuit now looks like this:

Fig. 3.7: counter after *hierarchy*

## Coarse-grain representation

Listing 3.33: counter.y<sub>s</sub> - the high-level stuff

```

7 # the high-level stuff
8 proc; opt
9 memory; opt
10 fsm; opt

```

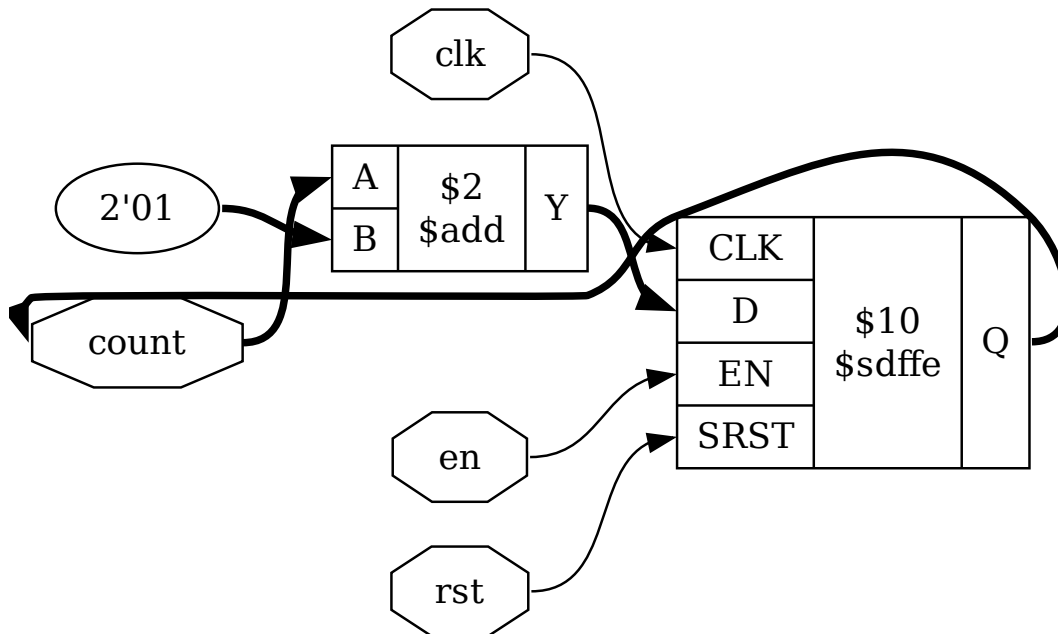


Fig. 3.8: Coarse-grain representation of the counter module

## Logic gate mapping

Listing 3.34: counter.y<sub>s</sub> - mapping to internal cell library


```

14 # mapping to internal cell library
15 techmap; opt

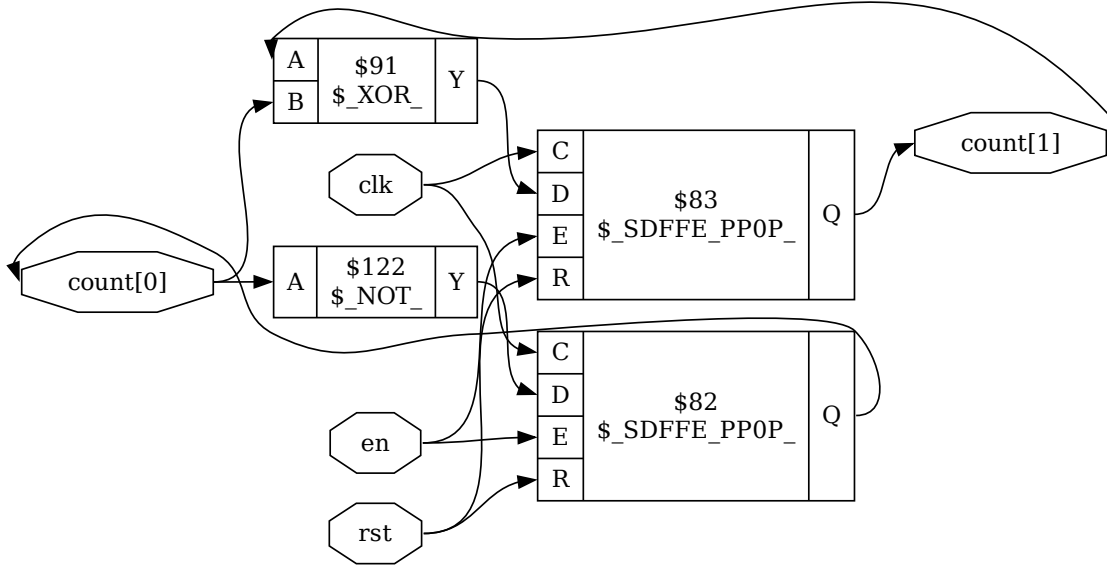
```

## Mapping to hardware

For this example, we are using a Liberty file to describe a cell library which our internal cell library will be mapped to:

 **Todo**

find a Liberty pigments style?

Fig. 3.9: counter after *techmap*

Listing 3.35: mycells.lib

```

1 library(demo) {
2   cell(BUF) {
3     area: 6;
4     pin(A) { direction: input; }
5     pin(Y) { direction: output;
6             function: "A"; }
7   }
8   cell(NOT) {
9     area: 3;
10    pin(A) { direction: input; }
11    pin(Y) { direction: output;
12            function: "A'"; }
13  }
14  cell(NAND) {
15    area: 4;
16    pin(A) { direction: input; }
17    pin(B) { direction: input; }
18    pin(Y) { direction: output;
19            function: "(A*B)'" ; }
20  }
21  cell(NOR) {
22    area: 4;
23    pin(A) { direction: input; }
24    pin(B) { direction: input; }

```

(continues on next page)

(continued from previous page)

```

25   pin(Y) { direction: output;
26           function: "(A+B)"; }
27   }
28   cell(DFF) {
29     area: 18;
30     ff(IQ, IQN) { clocked_on: C;
31                  next_state: D; }
32     pin(C) { direction: input;
33              clock: true; }
34     pin(D) { direction: input; }
35     pin(Q) { direction: output;
36              function: "IQ"; }
37   }
38 }

```

Recall that the Yosys built-in logic gate types are `$_NOT_`, `$_AND_`, `$_OR_`, `$_XOR_`, and `$_MUX_` with an assortment of dff memory types. `mycells.lib` defines our target cells as BUF, NOT, NAND, NOR, and DFF. Mapping between these is performed with the commands `dfflibmap` and `abc` as follows:

Listing 3.36: counter.y<sub>s</sub> - mapping to hardware

```

20 dfflibmap -liberty mycells.lib
21
22 # mapping logic to mycells.lib
23 abc -liberty mycells.lib
24
25 # cleanup
26 clean

```

The final version of our counter module looks like this:

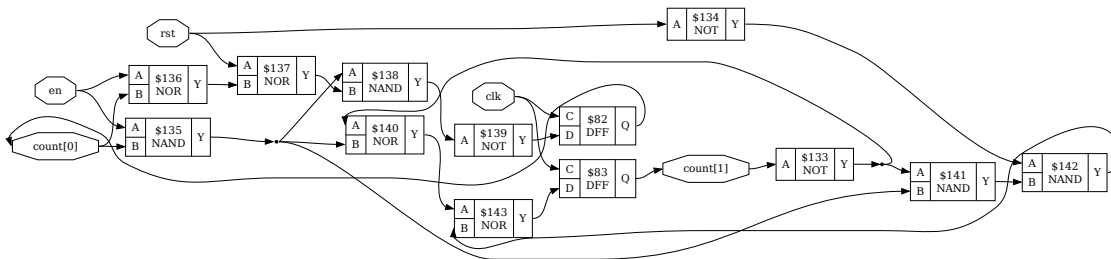


Fig. 3.10: counter after hardware cell mapping

Before finally being output as a verilog file with `write_verilog`, which can then be loaded into another tool:

Listing 3.37: counter.y<sub>s</sub> - write synthesized design

```

30 # write synthesized design
31 write_verilog synth.v

```

## 3.2 More scripting

### Todo

brief overview for the more scripting index

### Todo

troubleshooting document(?)

### 3.2.1 Loading a design

#### Input files on the command line

- guesses frontend based on file extension
  - `.v` -> `read -vlog2k`
  - `.sv` -> `read -sv`
  - `.vhd` and `.vhdl` -> `read -vhdl`
  - `.blif` and `.eblif` -> `read_blif`
  - `.json` -> `read_json`
  - `.il` -> `read_rtlil` (direct textual representation of Yosys internal state)
- command line also supports
  - `.ys` -> `script`
  - `.tcl` -> `tcl`
  - `-` -> reads stdin and treats it as a script

#### The `read` command

- standard method of loading designs
- also for defining macros and include directories
- uses `verific` command if available
  - `-verific` and `-noverific` options to enforce with/without Verific
  - check `help read` for more about the options available and the filetypes supported
  - elaborate designs with `verific -import [options] <top>` (or use `hierarchy`)
- fallback to `read_verilog` with `-defer` option
  - does not compile design until `hierarchy` command as discussed in *Synthesis starter*
  - more similar to `verific` behaviour
- `read -define` et al mapped to `verific` or `verilog_defines`
- similarly, `read -incdir` et al mapped to `verific` or `verilog_defaults`

**Note**

The Verific frontend for Yosys, which provides the *verific* command, requires Yosys to be built with Verific. For full functionality, custom modifications to the Verific source code from YosysHQ are required, but limited useability can be achieved with some stock Verific builds. Check *Compiling with Verific library* for more.

**Yosys frontends**

- *Reading input files*
- typically start with `read_`
- built-in support for heredocs
  - in-line code with `<<EOT`
  - can use any eot marker, but EOT (End-of-Transmission) and EOF (End-of-File) are most common
- built-in support for reading multiple files in the same command
  - executed as multiple successive calls to the frontend
- compatible with `-f` command line option, e.g. `yosys -f verilog design.txt` will use the *read\_verilog* frontend with the input file `design.txt`
- *verific* and *read* commands are technically not ‘Frontends’, but their behaviour is kept in sync

**Note**

‘Frontend’ here means that the command is implemented as a sub-class of `RTLIL::Frontend`, as opposed to the usual `RTLIL::Pass`.

**Todo**

link note to as-yet non-existent section on `RTLIL::Pass` under *Working with the Yosys codebase*

**The *read\_verilog* command**

- *read\_verilog* - read modules from Verilog file; also
  - *verilog\_defaults* - set default options for *read\_verilog*,
  - *verilog\_defines* - define and undefine verilog defines, and
  - *read\_verilog\_file\_list* - parse a Verilog file list
- supports most of Verilog-2005
- limited support for SystemVerilog
- some non-standard features/extensions for enabling formal verification
- please do not rely on *read\_verilog* for syntax checking
  - recommend using a simulator (for example Icarus Verilog) or linting with another tool (such as verilator) first


 **Todo**

figure out this example code block


```
read_verilog file1.v
read_verilog -I include_dir -D enable_foo -D WIDTH=12 file2.v
read_verilog -lib cell_library.v

verilog_defaults -add -I include_dir
read_verilog file3.v
read_verilog file4.v
verilog_defaults -clear

verilog_defaults -push
verilog_defaults -add -I include_dir
read_verilog file5.v
read_verilog file6.v
verilog_defaults -pop
```

**Other built-in read\_\* commands**

- *read\_rtlil* - read modules from RTLIL file
- *read\_aiger* - read AIGER file
- *read\_blif* - read BLIF file
- *read\_json* - read JSON file
- *read\_liberty* - read cells from liberty file
- *read\_xaiger2* - (experimental) read XAIGER file

 **Todo**


does *write\_file* count?

**Externally maintained plugins**

- [GHDL plugin](#) for VHDL (check `help ghdl`)
- [yosys-slang plugin](#) for more comprehensive SystemVerilog support (check `help read_slang`)
  - yosys-slang is implemented as a ‘*Frontend*,’ with all the built-in support that entails
- both plugins above are included in [OSS CAD Suite](#)
- [Synlig](#), which uses [Surelog](#) to provide SystemVerilog support
  - also implemented as a ‘*Frontend*’

### 3.2.2 Selections

**The selection framework**

 **Todo**

reduce overlap with *Scripting in Yosys* select section

The `select` command can be used to create a selection for subsequent commands. For example:

```
select foobar      # select the module foobar
delete            # delete selected objects
```

Normally the `select` command overwrites a previous selection. The commands `select -add` and `select -del` can be used to add or remove objects from the current selection.

The command `select -clear` can be used to reset the selection to the default, which is a complete selection of everything in the current module.

This selection framework can also be used directly in many other commands. Whenever a command has [selection] as last argument in its usage help, this means that it will use the engine behind the `select` command to evaluate additional arguments and use the resulting selection instead of the selection created by the last `select` command.

For example, the command `delete` will delete everything in the current selection; while `delete foobar` will only delete the module foobar. If no `select` command has been made, then the “current selection” will be the whole design.

 **Note**

Many of the examples on this page make use of the `show` command to visually demonstrate the effect of selections. For a more detailed look at this command, refer to *A look at the show command*.

## How to make a selection

### Selection by object name

The easiest way to select objects is by object name. This is usually only done in synthesis scripts that are hand-tailored for a specific design.

```
select foobar      # select module foobar
select foo*        # select all modules whose names start with foo
select foo*/bar*   # select all objects matching bar* from modules matching foo*
select */clk       # select objects named clk from all modules
```

### Module and design context

Commands can be executed in *module/* or *design/* context. Until now, all commands have been executed in design context. The `cd` command can be used to switch to module context.

In module context, all commands only effect the active module. Objects in the module are selected without the `<module_name>/` prefix. For example:

```
cd foo              # switch to module foo
delete bar          # delete object foo/bar

cd mycpu            # switch to module mycpu
dump reg_*          # print details on all objects whose names start with reg_
```

(continues on next page)

(continued from previous page)

```
cd ..                # switch back to design
```

Note: Most synthesis scripts never switch to module context. But it is a very powerful tool which we explore more in *Interactive design investigation*.

### Selecting by object property or type

Special patterns can be used to select by object property or type. For example:

- select all wires whose names start with `reg_`: `select w:reg_*`
- select all objects with the attribute `foobar` set: `select a:foobar`
- select all objects with the attribute `foobar` set to 42: `select a:foobar=42`
- select all modules with the attribute `blabla` set: `select A:blabla`
- select all `$add` cells from the module `foo`: `select foo/t:$add`

A complete list of pattern expressions can be found in *select - modify and view the list of selected objects*.

### Operations on selections

#### Combining selections

The `select` command is actually much more powerful than it might seem at first glance. When it is called with multiple arguments, each argument is evaluated and pushed separately on a stack. After all arguments have been processed it simply creates the union of all elements on the stack. So `select t:$add a:foo` will select all `$add` cells and all objects with the `foo` attribute set:

Listing 3.38: Test module for operations on selections

```
module foobaraddsub(a, b, c, d, fa, fs, ba, bs);
  input [7:0] a, b, c, d;
  output [7:0] fa, fs, ba, bs;
  assign fa = a + (* foo *) b;
  assign fs = a - (* foo *) b;
  assign ba = c + (* bar *) d;
  assign bs = c - (* bar *) d;
endmodule
```

Listing 3.39: Output for command `select t:$add a:foo -list` on Listing 3.38

```
yosys> select t:$add a:foo -list
foobaraddsub/$add$foobaraddsub.v:6$3
foobaraddsub/$sub$foobaraddsub.v:5$2
foobaraddsub/$add$foobaraddsub.v:4$1
```

In many cases simply adding more and more stuff to the selection is an ineffective way of selecting the interesting part of the design. Special arguments can be used to combine the elements on the stack. For example the `%i` argument pops the last two elements from the stack, intersects them, and pushes the result back on the stack. So `select t:$add a:foo %i` will select all `$add` cells that have the `foo` attribute set:

Listing 3.40: Output for command `select t:$add a:foo %i -list` on Listing 3.38

```
yosys> select t:$add a:foo %i -list
foobaraddsub/$add$foobaraddsub.v:4$1
```

Some of the special %-codes:

- %u: union of top two elements on stack – pop 2, push 1
- %d: difference of top two elements on stack – pop 2, push 1
- %i: intersection of top two elements on stack – pop 2, push 1
- %n: inverse of top element on stack – pop 1, push 1

See *select - modify and view the list of selected objects* for the full list.

### Expanding selections

Listing 3.41 uses the Yosys non-standard `{... *}` syntax to set the attribute `sumstuff` on all cells generated by the first assign statement. (This works on arbitrary large blocks of Verilog code and can be used to mark portions of code for analysis.)

Listing 3.41: Another test module for operations on selections

```
module sumprod(a, b, c, sum, prod);

    input [7:0] a, b, c;
    output [7:0] sum, prod;

    {* sumstuff *}
    assign sum = a + b + c;
    {* *}

    assign prod = a * b * c;

endmodule
```

Selecting `a:sumstuff` in this module will yield the following circuit diagram:

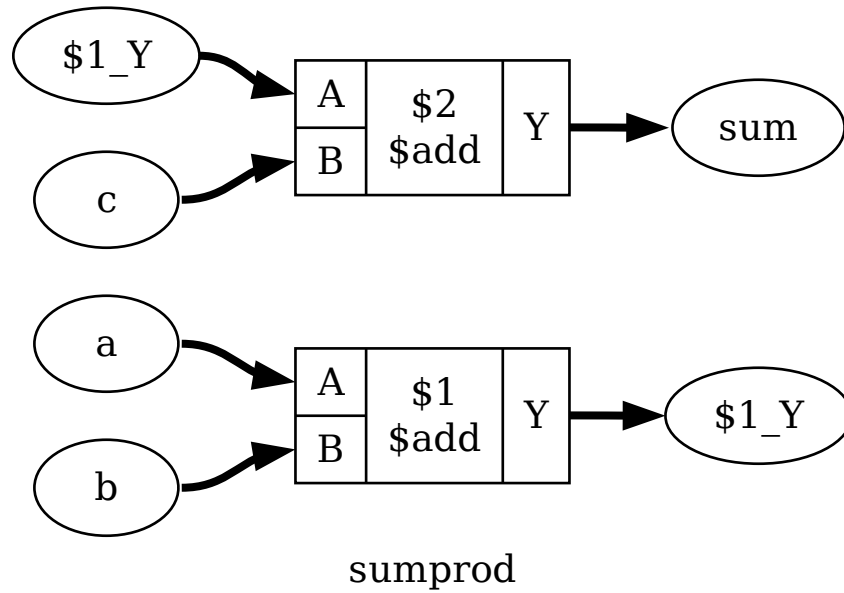
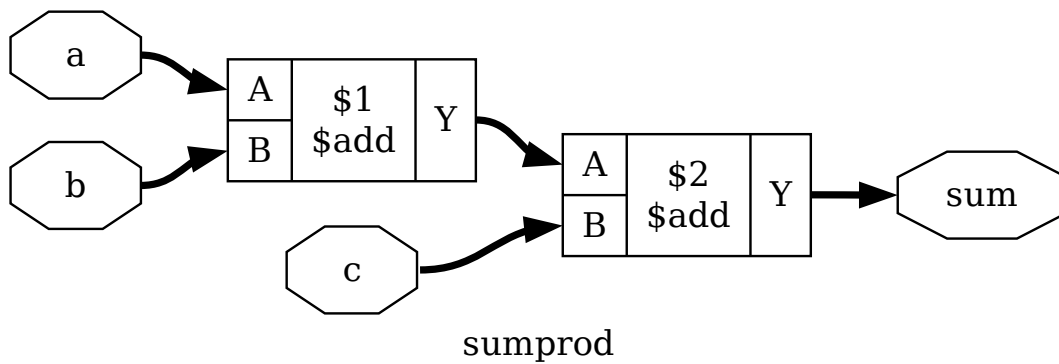
As only the cells themselves are selected, but not the temporary wire `$1_Y`, the two adders are shown as two disjunct parts. This can be very useful for global signals like clock and reset signals: just unselect them using a command such as `select -del clk rst` and each cell using them will get its own net label.

In this case however we would like to see the cells connected properly. This can be achieved using the `%x` action, that broadens the selection, i.e. for each selected wire it selects all cells connected to the wire and vice versa. So `show a:sumstuff %x` yields the diagram shown in Fig. 3.12:

### Selecting logic cones

Fig. 3.12 shows what is called the `input cone` of `sum`, i.e. all cells and signals that are used to generate the signal `sum`. The `%ci` action can be used to select the input cones of all object in the top selection in the stack maintained by the `select` command.

As with the `%x` action, these commands broaden the selection by one “step”. But this time the operation only works against the direction of data flow. That means, wires only select cells via output ports and cells only select wires via input ports.

Fig. 3.11: Output of `show a:sumstuff` on Listing 3.41Fig. 3.12: Output of `show a:sumstuff %x` on Listing 3.41

The following sequence of diagrams demonstrates this step-wise expansion:

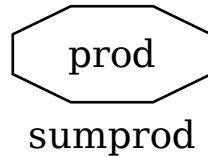


Fig. 3.13: Output of `show prod` on Listing 3.41

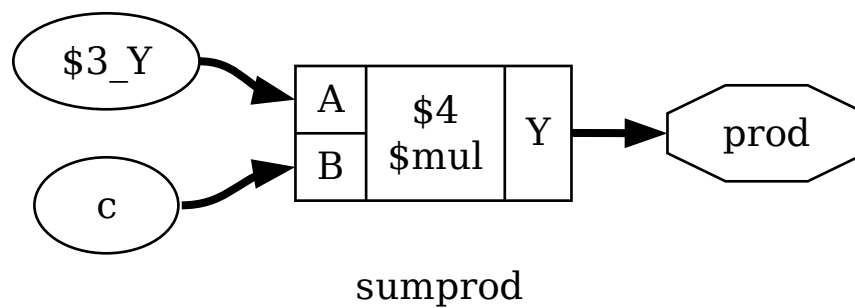


Fig. 3.14: Output of `show prod %ci` on Listing 3.41

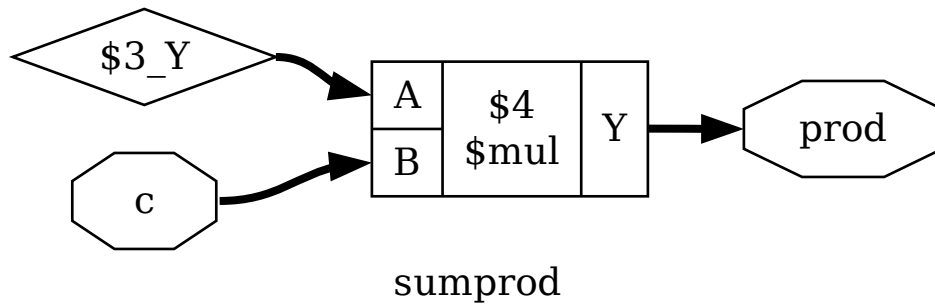
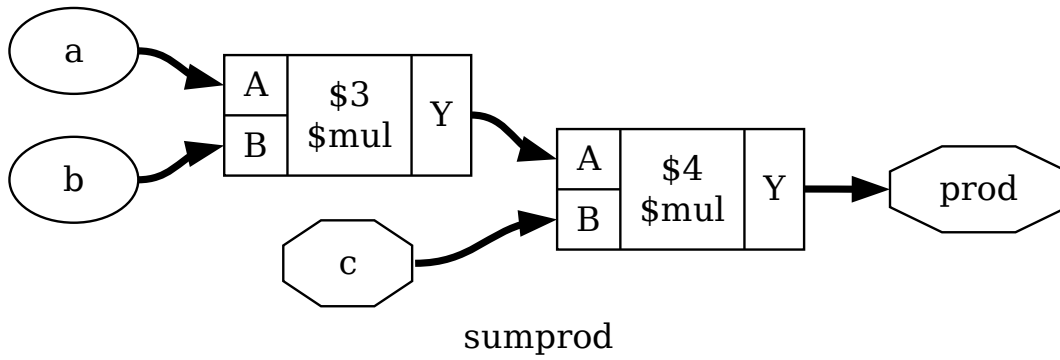
Notice the subtle difference between `show prod %ci` and `show prod %ci %ci`. Both images show the `$mul` cell driven by some inputs `$3_Y` and `c`. However it is not until the second image, having called `%ci` the second time, that `show` is able to distinguish between `$3_Y` being a wire and `c` being an input. We can see this better with the `dump` command instead:

Listing 3.42: Output of `dump prod %ci`

```
attribute \src "sumprod.v:4.21-4.25"
wire width 8 output 5 \prod

attribute \src "sumprod.v:10.17-10.26"
cell $mul $mul$sumprod.v:10$4
  parameter \Y_WIDTH 8
  parameter \B_WIDTH 8
  parameter \B_SIGNED 0
  parameter \A_WIDTH 8
  parameter \A_SIGNED 0
```

(continues on next page)

Fig. 3.15: Output of `show prod %ci %ci` on Listing 3.41Fig. 3.16: Output of `show prod %ci %ci %ci` on Listing 3.41

(continued from previous page)

```

connect \Y \prod
connect \B \c
connect \A $mul$sumprod.v:10$3_Y
end

```

Listing 3.43: Output of dump prod %ci %ci

```

attribute \src "sumprod.v:4.21-4.25"
wire width 8 output 5 \prod

attribute \src "sumprod.v:3.21-3.22"
wire width 8 input 3 \c

attribute \src "sumprod.v:10.17-10.22"
wire width 8 $mul$sumprod.v:10$3_Y

attribute \src "sumprod.v:10.17-10.26"
cell $mul $mul$sumprod.v:10$4
parameter \Y_WIDTH 8
parameter \B_WIDTH 8
parameter \B_SIGNED 0
parameter \A_WIDTH 8
parameter \A_SIGNED 0
connect \Y \prod
connect \B \c
connect \A $mul$sumprod.v:10$3_Y
end

```

When selecting many levels of logic, repeating %ci over and over again can be a bit dull. So there is a shortcut for that: the number of iterations can be appended to the action. So for example the action %ci3 is identical to performing the %ci action three times.

The action %ci\* performs the %ci action over and over again until it has no effect anymore.

### Advanced logic cone selection

In most cases there are certain cell types and/or ports that should not be considered for the %ci action, or we only want to follow certain cell types and/or ports. This can be achieved using additional patterns that can be appended to the %ci action.

Lets consider Listing 3.44. It serves no purpose other than being a non-trivial circuit for demonstrating some of the advanced Yosys features. This code is available in docs/source/code\_examples/selections of the Yosys source repository.

Listing 3.44: memdemo.v

```

module memdemo(clk, d, y);

input clk;
input [3:0] d;
output reg [3:0] y;

integer i;

```

(continues on next page)

(continued from previous page)

```

reg [1:0] s1, s2;
reg [3:0] mem [0:3];

always @(posedge clk) begin
    for (i = 0; i < 4; i = i+1)
        mem[i] <= mem[(i+1) % 4] + mem[(i+2) % 4];
    { s2, s1 } = d ? { s1, s2 } ^ d : 4'b0;
    mem[s1] <= d;
    y <= mem[s2];
end

endmodule

```

The script `memdemo.py` is used to generate the images included here. Let's look at the first section:

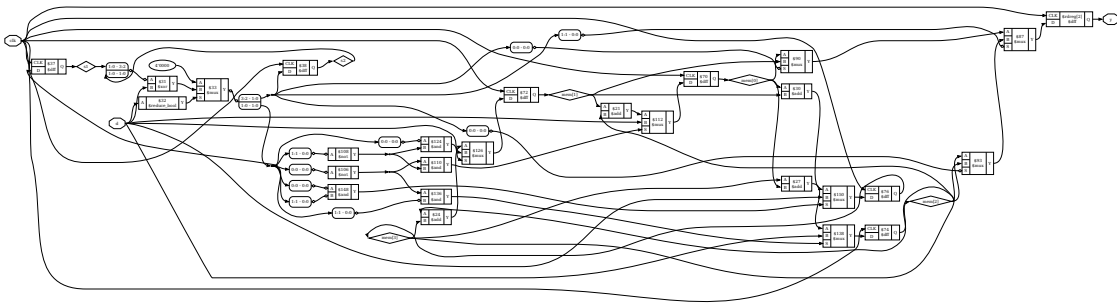
Listing 3.45: Synthesizing `memdemo.v`

```

read_verilog memdemo.v
prep -top memdemo; memory; opt

```

This loads [Listing 3.44](#) and synthesizes the included module. Note that this code can be copied and run directly in a Yosys command line session, provided `memdemo.v` is in the same directory. We can now change to the `memdemo` module with `cd memdemo`, and call `show` to see the diagram in [Fig. 3.17](#).

Fig. 3.17: Complete circuit diagram for the design shown in [Listing 3.44](#)

There's a lot going on there, but maybe we are only interested in the tree of multiplexers that select the output value. Let's start by just showing the output signal, `y`, and its immediate predecessors. Remember [Selecting logic cones](#) from above, we can use `show y %ci2`:

From this we would learn that `y` is driven by a `$dff` cell, that `y` is connected to the output port `Q`, that the `clk` signal goes into the `CLK` input port of the cell, and that the data comes from an auto-generated wire into the input `D` of the flip-flop cell (indicated by the `$` at the start of the name). Let's go a bit further now and try `show y %ci5`:

That's starting to get a bit messy, so maybe we want to ignore the mux select inputs. To add a pattern we add a colon followed by the pattern to the `%ci` action. The pattern itself starts with `-` or `+`, indicating if it is an include or exclude pattern, followed by an optional comma separated list of cell types, followed by an optional comma separated list of port names in square brackets. In this case, we want to exclude the `$mux` cell type with `show y %ci5:-$mux[S]`:

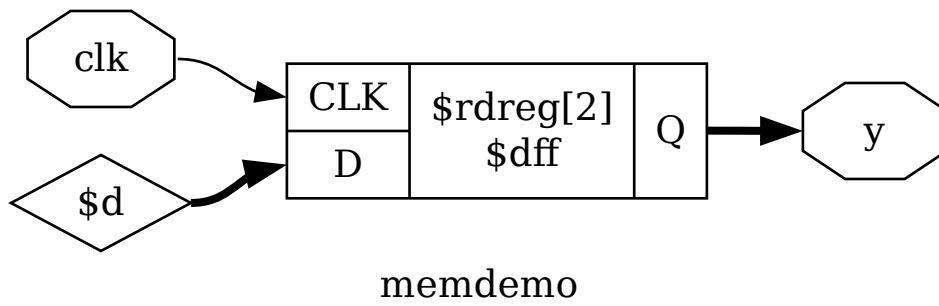


Fig. 3.18: Output of show y %ci2

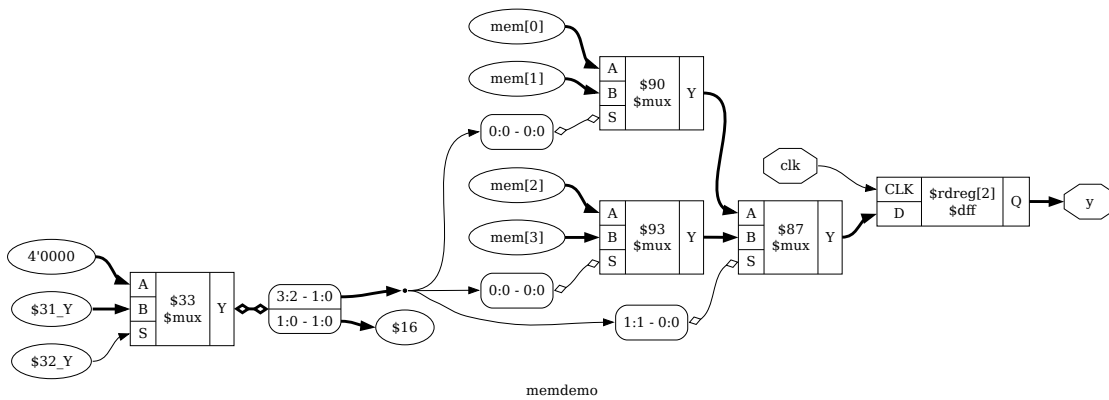
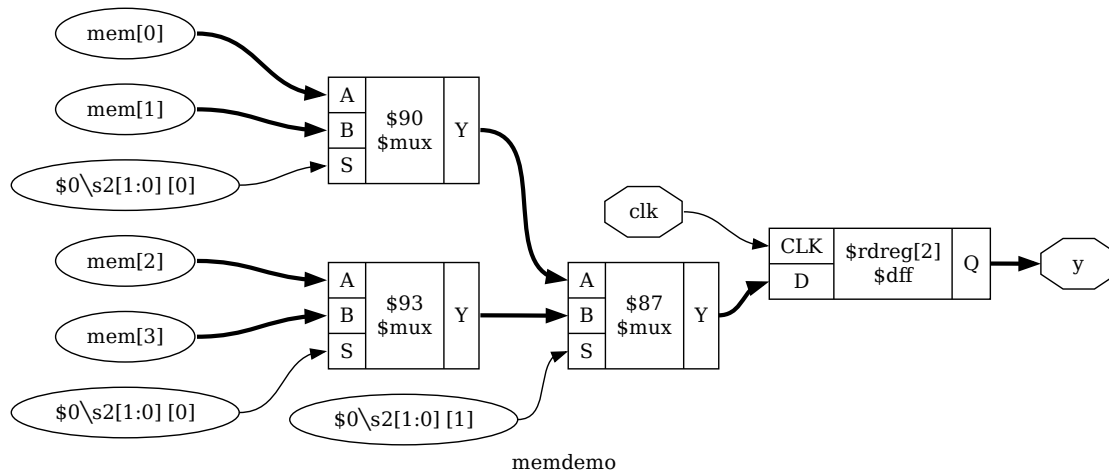


Fig. 3.19: Output of show y %ci5

Fig. 3.20: Output of `show y %ci5:-$mux[S]`

We could use a command such as `show y %ci2:+$dff[Q,D] %ci*:-$mux[S]:-$dff` in which the first `%ci` jumps over the initial d-type flip-flop and the 2nd action selects the entire input cone without going over multiplexer select inputs and flip-flop cells:

Or we could use `show y %ci*:-[CLK,S]:+$dff:+$mux` instead, following the input cone all the way but only following `$dff` and `$mux` cells, and ignoring any ports named CLK or S:

### Todo

pending discussion on whether rule ordering is a bug or a feature

Similar to `%ci` exists an action `%co` to select output cones that accepts the same syntax for pattern and repetition. The `%x` action mentioned previously also accepts this advanced syntax.

These actions for traversing the circuit graph, combined with the actions for boolean operations such as intersection (`%i`) and difference (`%d`) are powerful tools for extracting the relevant portions of the circuit under investigation.

Again, see *select - modify and view the list of selected objects* for full documentation of these expressions.

### Incremental selection

Sometimes a selection can most easily be described by a series of add/delete operations. As mentioned previously, the commands `select -add` and `select -del` respectively add or remove objects from the current selection instead of overwriting it.

```
select -none          # start with an empty selection
select -add reg_*     # select a bunch of objects
select -del reg_42    # but not this one
select -add state %ci # and add more stuff
```

Within a select expression the token `%` can be used to push the previous selection on the stack.

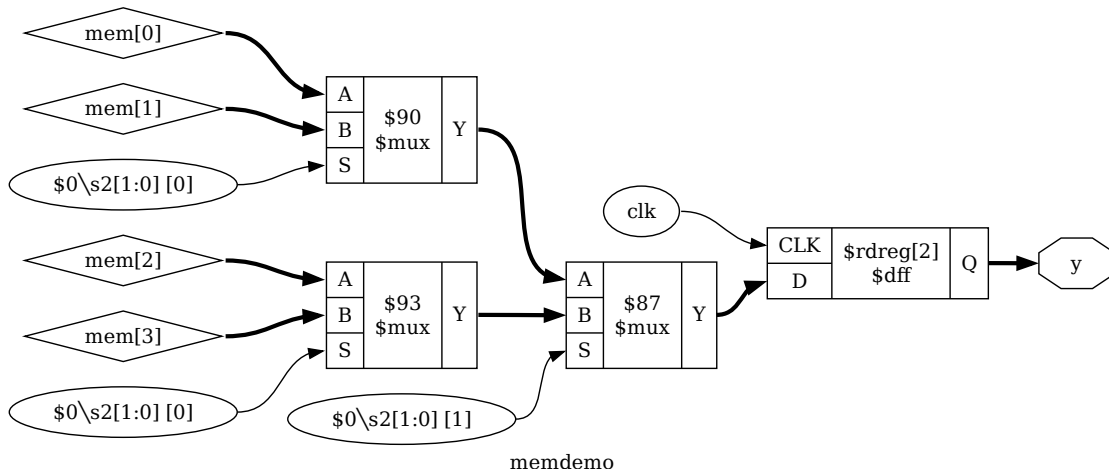


Fig. 3.21: Output of `show y %ci2:+$dff [Q,D] %ci*:-$mux [S] :-$dff`

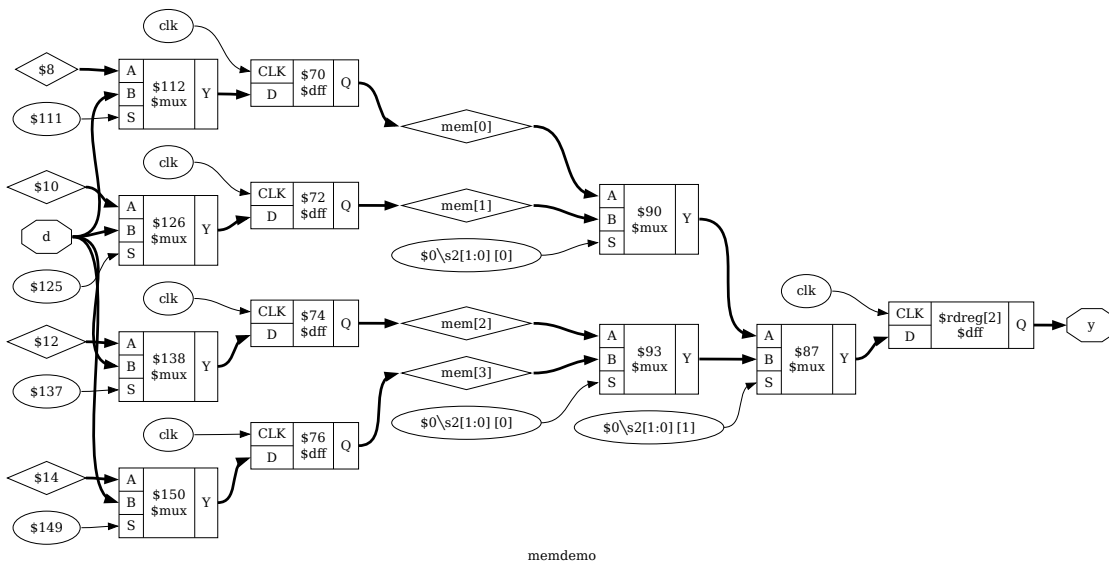


Fig. 3.22: Output of `show y %ci*:-[CLK,S] :+$dff,$mux`

```
select t:$add t:$sub    # select all $add and $sub cells
select %%ci %%d        # select only the input wires to those cells
```

## Storing and recalling selections

### Todo

reflow for not presentation

The current selection can be stored in memory with the command `select -set <name>`. It can later be recalled using `select @<name>`. In fact, the `@<name>` expression pushes the stored selection on the stack maintained by the `select` command. So for example `select @foo @bar %i` will select the intersection between the stored selections `foo` and `bar`.

In larger investigation efforts it is highly recommended to maintain a script that sets up relevant selections, so they can easily be recalled, for example when Yosys needs to be re-run after a design or source code change.

The `history` command can be used to list all recent interactive commands. This feature can be useful for creating such a script from the commands used in an interactive session.

Remember that select expressions can also be used directly as arguments to most commands. Some commands also accept a single select argument to some options. In those cases selection variables must be used to capture more complex selections.

Example code from [docs/source/code\\_examples/selections](#):

Listing 3.46: `select.v`

```
module test(clk, s, a, y);
    input clk, s;
    input [15:0] a;
    output [15:0] y;
    reg [15:0] b, c;

    always @(posedge clk) begin
        b <= a;
        c <= b;
    end

    wire [15:0] state_a = (a ^ b) + c;
    wire [15:0] state_b = (a ^ b) - c;
    assign y = !s ? state_a : state_b;
endmodule
```

Listing 3.47: `select.yo`

```
read_verilog select.v
prep -top test

cd test
select -set cone_a state_a %%ci*:-$dff
select -set cone_b state_b %%ci*:-$dff
```

(continues on next page)

(continued from previous page)

```

select -set cone_ab @cone_a @cone_b %i
show -prefix select -format dot -notitle \
  -color red @cone_ab -color magenta @cone_a \
  -color blue @cone_b

```

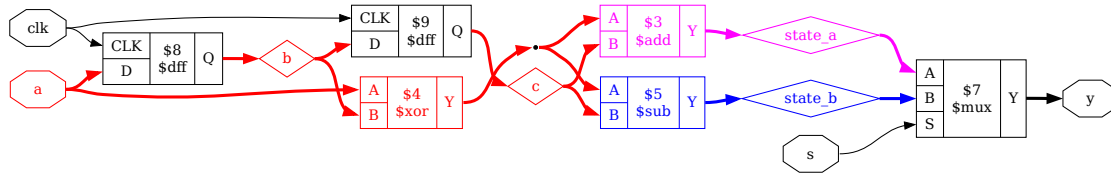


Fig. 3.23: Circuit diagram produced by Listing 3.47

### 3.2.3 Interactive design investigation

#### Todo

interactive design opening text

#### A look at the show command

#### Todo

merge into *Scripting in Yosys* show section

This section explores the `show` command and explains the symbols used in the circuit diagrams generated by it. The code used is included in the Yosys code base under `docs/source/code_examples/show`.

#### A simple circuit

`example.v` below provides the Verilog code for a simple circuit which we will use to demonstrate the usage of `show` in a simple setting.

Listing 3.48: `example.v`

```

module example(input clk, a, b, c,
               output reg [1:0] y);
  always @(posedge clk)
    if (c)
      y <= c ? a + b : 2'd0;
endmodule

```

The Yosys synthesis script we will be running is included as Listing 3.49. Note that `show` is called with the `-pause` option, that halts execution of the Yosys script until the user presses the Enter key. Using `show`

`-pause` also allows the user to enter an interactive shell to further investigate the circuit before continuing synthesis.

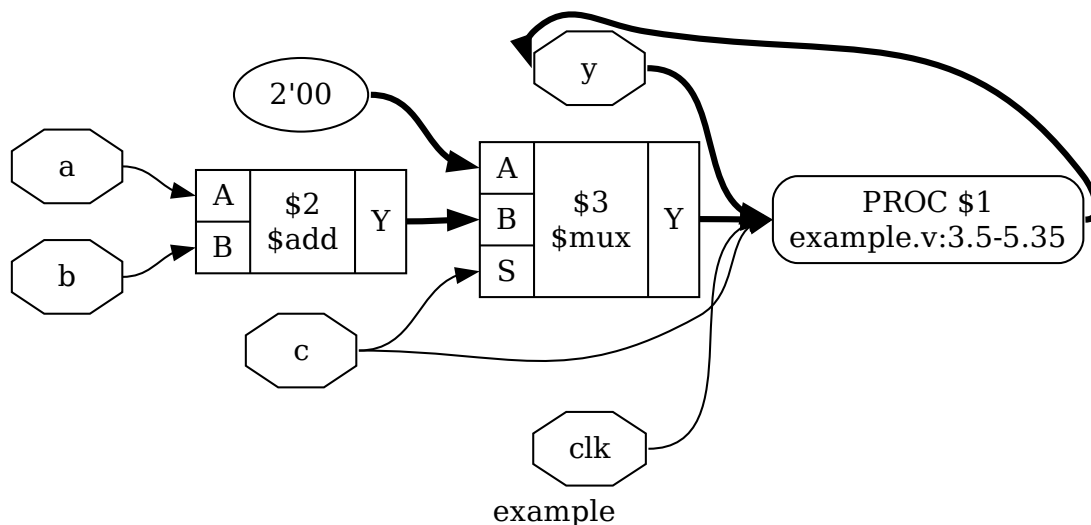
Listing 3.49: `example_show.y`

```
read_verilog example.v
show -pause # first
proc
show -pause # second
opt
show -pause # third
```

This script, when executed, will show the design after each of the three synthesis commands. We will now look at each of these diagrams and explain what is shown.

### Note

The images used in this document are generated from the `example.y` file, rather than `example_show.y`. `example.y` outputs the schematics as `.dot` files rather than displaying them directly. You can view these images yourself by running `yosys example.y` and then `xdot example_first.dot` etc.

Fig. 3.24: Output of the first `show` command in Listing 3.49

The first output shows the design directly after being read by the Verilog front-end. Input and output ports are displayed as octagonal shapes. Cells are displayed as rectangles with inputs on the left and outputs on the right side. The cell labels are two lines long: The first line contains a unique identifier for the cell and the second line contains the cell type. Internal cell types are prefixed with a dollar sign. For more details on the internal cell library, see *Internal cell library*.

Constants are shown as ellipses with the constant value as label. The syntax `<bit_width>'<bits>` is used for constants that are not 32-bit wide and/or contain bits that are not 0 or 1 (i.e. x or z). Ordinary 32-bit

constants are written using decimal numbers.

Single-bit signals are shown as thin arrows pointing from the driver to the load. Signals that are multiple bits wide are shown as thick arrows.

Finally *processes* are shown in boxes with round corners. Processes are Yosys' internal representation of the decision-trees and synchronization events modelled in a Verilog `always`-block. The label reads `PROC` followed by a unique identifier in the first line and contains the source code location of the original `always`-block in the second line. Note how the multiplexer from the `?:`-expression is represented as a `$mux` cell but the multiplexer from the `if`-statement is yet still hidden within the process.

The `proc` command transforms the process from the first diagram into a multiplexer and a d-type flip-flop, which brings us to the second diagram:

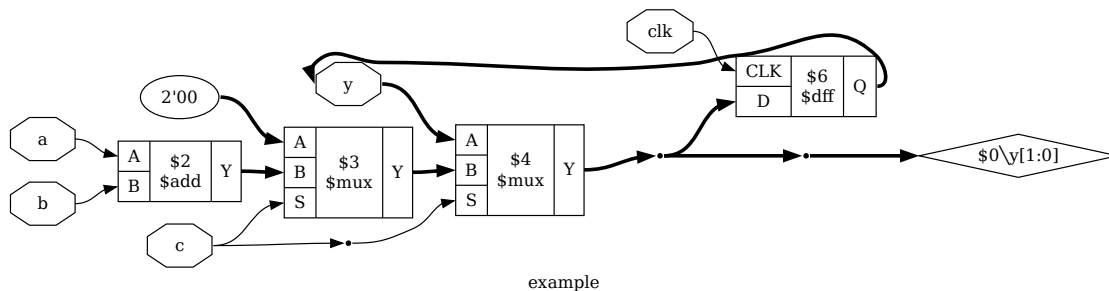


Fig. 3.25: Output of the second `show` command in Listing 3.49

The Rhombus shape to the right is a dangling wire. (Wire nodes are only shown if they are dangling or have “public” names, for example names assigned from the Verilog input.) Also note that the design now contains two instances of a `BUF`-node. These are artefacts left behind by the `proc` command. It is quite usual to see such artefacts after calling commands that perform changes in the design, as most commands only care about doing the transformation in the least complicated way, not about cleaning up after them. The next call to `clean` (or `opt`, which includes `clean` as one of its operations) will clean up these artefacts. This operation is so common in Yosys scripts that it can simply be abbreviated with the `;` token, which doubles as separator for commands. Unless one wants to specifically analyze this artefacts left behind some operations, it is therefore recommended to always call `clean` before calling `show`.

In this script we directly call `opt` as the next step, which finally leads us to the third diagram:

Here we see that the `opt` command not only has removed the artifacts left behind by `proc`, but also determined correctly that it can remove the first `$mux` cell without changing the behavior of the circuit.

### Break-out boxes for signal vectors

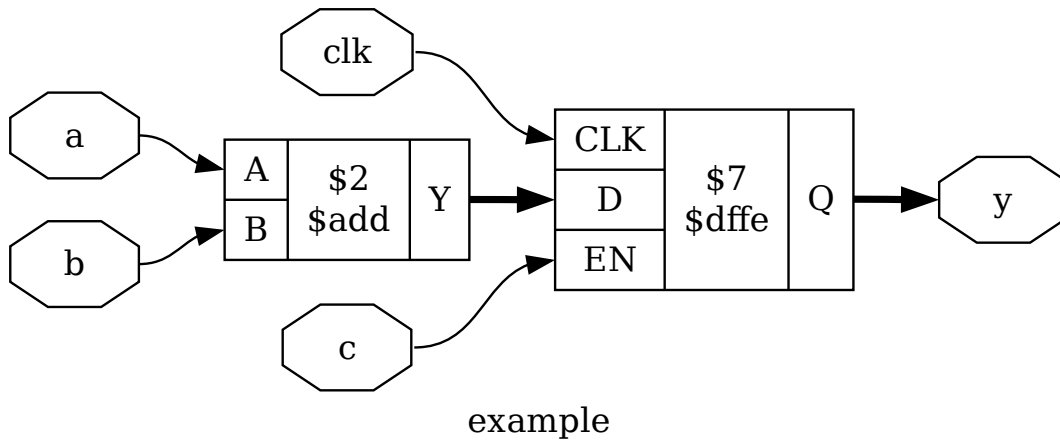
The code listing below shows a simple circuit which uses a lot of spliced signal accesses.

Listing 3.50: `splice.v`

```
module splice_demo(a, b, c, d, e, f, x, y);

input [1:0] a, b, c, d, e, f;
output [1:0] x;
assign x = {a[0], a[1]};
```

(continues on next page)

Fig. 3.26: Output of the third *show* command in *example\_show.y*

(continued from previous page)

```
output [11:0] y;
assign {y[11:4], y[1:0], y[3:2]} =
    {a, b, ~{c, d}, ~{e, f}};

endmodule
```

Notice how the output for this circuit from the *show* command (Fig. 3.27) appears quite complex. This is an unfortunate side effect of the way Yosys handles signal vectors (aka. multi-bit wires or buses) as native objects. While this provides great advantages when analyzing circuits that operate on wide integers, it also introduces some additional complexity when the individual bits of of a signal vector are accessed.

The key elements in understanding this circuit diagram are of course the boxes with round corners and rows labeled  $\langle \text{MSB\_LEFT} \rangle : \langle \text{LSB\_LEFT} \rangle - \langle \text{MSB\_RIGHT} \rangle : \langle \text{LSB\_RIGHT} \rangle$ . Each of these boxes have one signal per row on one side and a common signal for all rows on the other side. The  $\langle \text{MSB} \rangle : \langle \text{LSB} \rangle$  tuples specify which bits of the signals are broken out and connected. So the top row of the box connecting the signals *a* and *x* indicates that the bit 0 (i.e. the range 0:0) from signal *a* is connected to bit 1 (i.e. the range 1:1) of signal *x*.

Lines connecting such boxes together and lines connecting such boxes to cell ports have a slightly different look to emphasise that they are not actual signal wires but a necessity of the graphical representation. This distinction seems like a technicality, until one wants to debug a problem related to the way Yosys internally represents signal vectors, for example when writing custom Yosys commands.

### Gate level netlists

Fig. 3.28 shows two common pitfalls when working with designs mapped to a cell library:

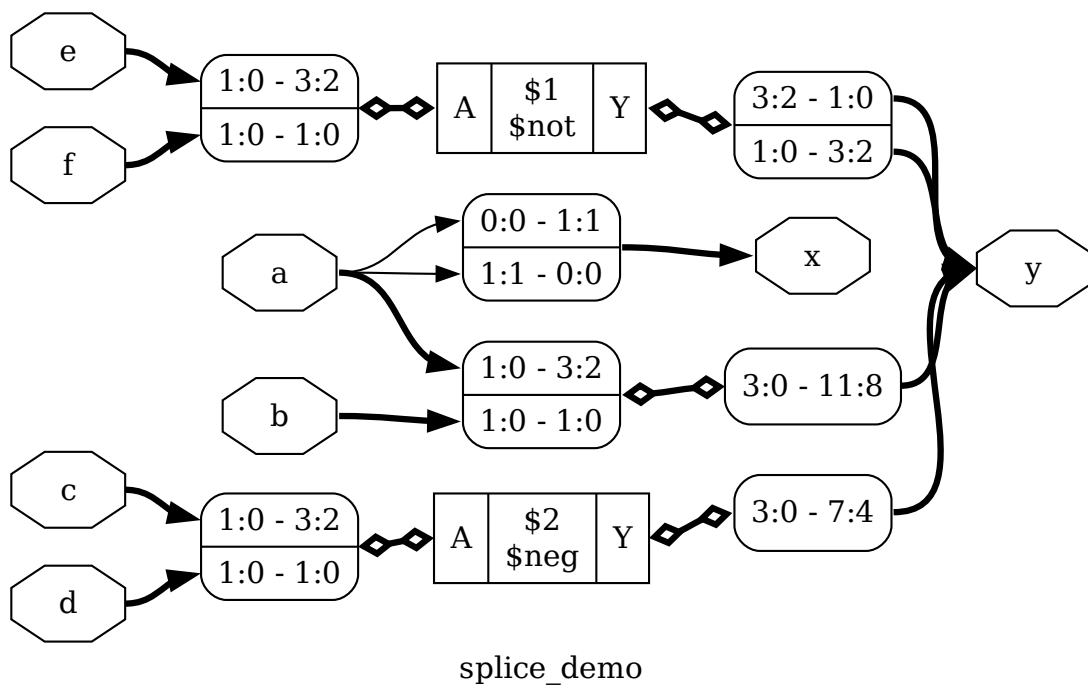


Fig. 3.27: Output of `yosys -p 'prep -top splice_demo; show' splice.v`

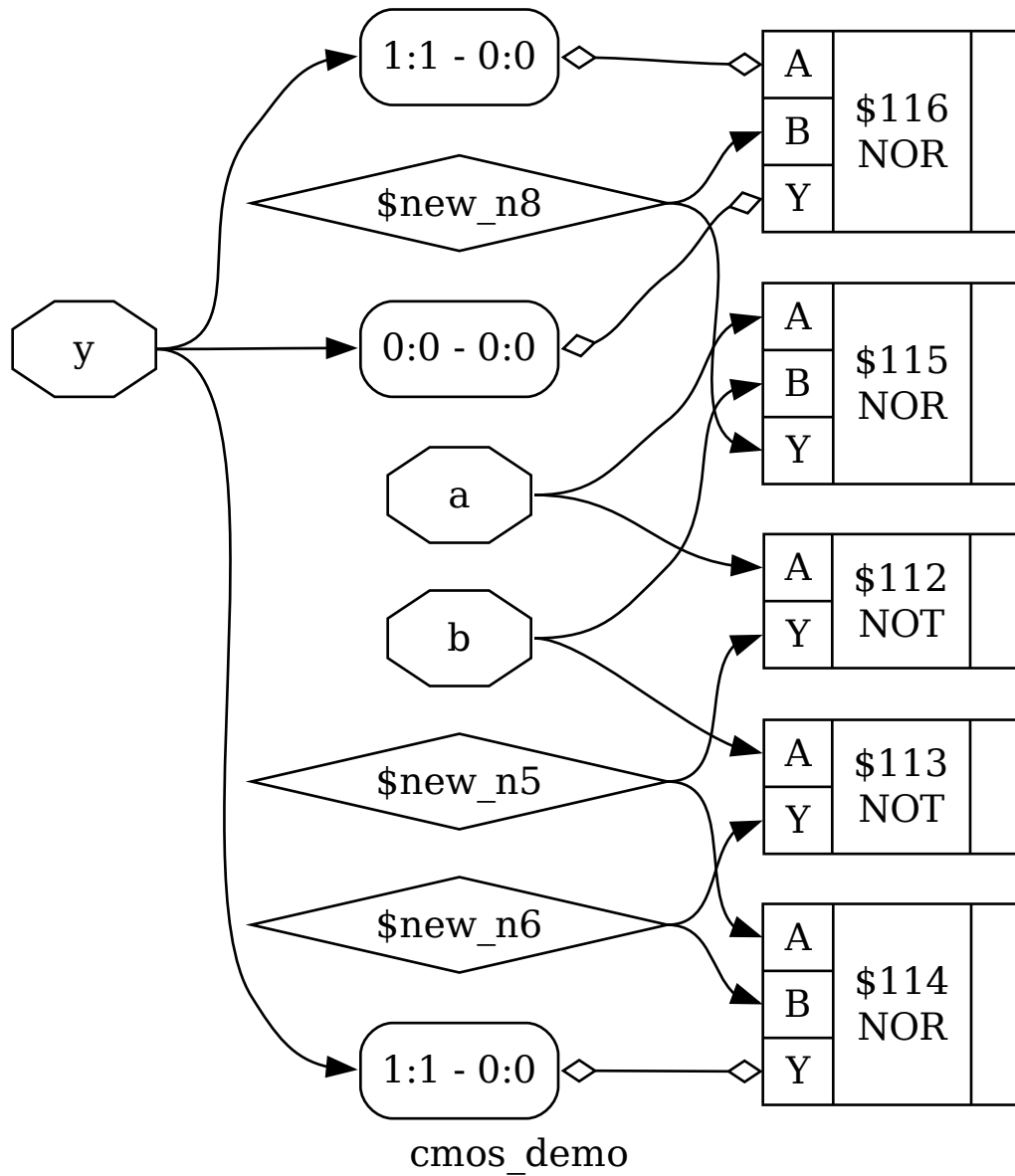
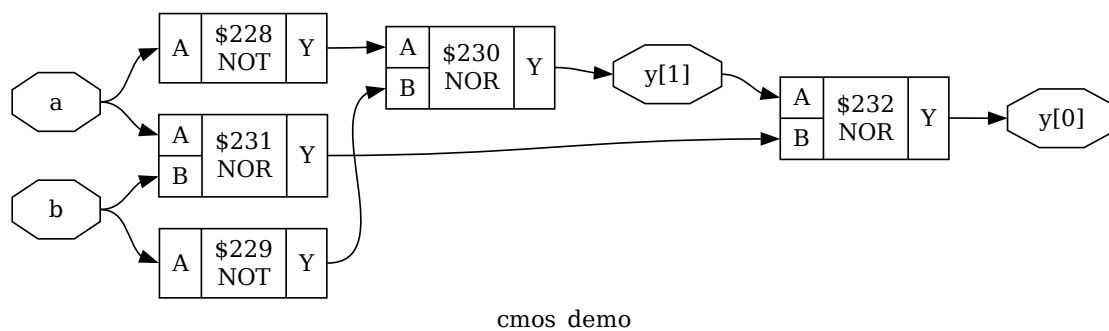


Fig. 3.28: A half-adder built from simple CMOS gates, demonstrating common pitfalls when using `show`

Listing 3.51: Generating Fig. 3.28

```
read_verilog cmos.v
prep -top cmos_demo
techmap
abc -liberty ../intro/mycells.lib;;
show -format dot -prefix cmos_00
```

First, Yosys did not have access to the cell library when this diagram was generated, resulting in all cell ports defaulting to being inputs. This is why all ports are drawn on the left side the cells are awkwardly arranged in a large column. Secondly the two-bit vector `y` requires breakout-boxes for its individual bits, resulting in an unnecessary complex diagram.

Fig. 3.29: Effects of `splitnets` command and of providing a cell library on design in Fig. 3.28

Listing 3.52: Generating Fig. 3.29

```
read_verilog cmos.v
prep -top cmos_demo
techmap
splitnets -ports
abc -liberty ../intro/mycells.lib;;
show -lib ../intro/mycells.v -format dot -prefix cmos_01
```

For Fig. 3.29, Yosys has been given a description of the cell library as Verilog file containing blackbox modules. There are two ways to load cell descriptions into Yosys: First the Verilog file for the cell library can be passed directly to the `show` command using the `-lib <filename>` option. Secondly it is possible to load cell libraries into the design with the `read_verilog -lib <filename>` command. The second method has the great advantage that the library only needs to be loaded once and can then be used in all subsequent calls to the `show` command.

In addition to that, Fig. 3.29 was generated after `splitnet -ports` was run on the design. This command splits all signal vectors into individual signal bits, which is often desirable when looking at gate-level circuits. The `-ports` option is required to also split module ports. Per default the command only operates on interior signals.

## Miscellaneous notes

Per default the `show` command outputs a temporary dot file and launches `xdot` to display it. The options `-format`, `-viewer` and `-prefix` can be used to change format, viewer and filename prefix. Note that the `pdf` and `ps` format are the only formats that support plotting multiple modules in one run. The `dot` format can be used to output multiple modules, however `xdot` will raise an error when trying to read them.

In densely connected circuits it is sometimes hard to keep track of the individual signal wires. For these cases it can be useful to call `show` with the `-colors <integer>` argument, which randomly assigns colors to the nets. The integer ( $> 0$ ) is used as seed value for the random color assignments. Sometimes it is necessary it try some values to find an assignment of colors that looks good.

The command `help show` prints a complete listing of all options supported by the `show` command.

## Navigating the design

Plotting circuit diagrams for entire modules in the design brings us only helps in simple cases. For complex modules the generated circuit diagrams are just stupidly big and are no help at all. In such cases one first has to select the relevant portions of the circuit.

In addition to *what* to display one also needs to carefully decide *when* to display it, with respect to the synthesis flow. In general it is a good idea to troubleshoot a circuit in the earliest state in which a problem can be reproduced. So if, for example, the internal state before calling the `techmap` command already fails to verify, it is better to troubleshoot the coarse-grain version of the circuit before `techmap` than the gate-level circuit after `techmap`.

### Note

It is generally recommended to verify the internal state of a design by writing it to a Verilog file using `write_verilog -noexpr` and using the simulation models from `simlib.v` and `simcells.v` from the Yosys data directory (as printed by `yosys-config --datdir`).

## Interactive navigation

Once the right state within the synthesis flow for debugging the circuit has been identified, it is recommended to simply add the `shell` command to the matching place in the synthesis script. This command will stop the synthesis at the specified moment and go to shell mode, where the user can interactively enter commands.

For most cases, the shell will start with the whole design selected (i.e. when the synthesis script does not already narrow the selection). The command `ls` can now be used to create a list of all modules. The command `cd` can be used to switch to one of the modules (type `cd ..` to switch back). Now the `ls` command lists the objects within that module. This is demonstrated below using `example.v` from *A simple circuit*:

Listing 3.53: Output of `ls` and `cd` after running `yosys example.v`

```
yosys> ls
1 modules:
  example

yosys> cd example
yosys [example]> ls
8 wires:
```

(continues on next page)

(continued from previous page)

```
$0\y[1:0]
$add$example.v:5$2_Y
$ternary$example.v:5$3_Y
a
b
c
clk
y

2 cells:
$add$example.v:5$2
$ternary$example.v:5$3

1 processes:
$proc$example.v:3$1
```

When a module is selected using the `cd` command, all commands (with a few exceptions, such as the `read_` and `write_` commands) operate only on the selected module. This can also be useful for synthesis scripts where different synthesis strategies should be applied to different modules in the design.

We can see that the cell names from Fig. 3.26 are just abbreviations of the actual cell names, namely the part after the last dollar-sign. Most auto-generated names (the ones starting with a dollar sign) are rather long and contains some additional information on the origin of the named object. But in most cases those names can simply be abbreviated using the last part.

Usually all interactive work is done with one module selected using the `cd` command. But it is also possible to work from the design-context (`cd .`). In this case all object names must be prefixed with `<module_name>/`. For example `a*/b*` would refer to all objects whose names start with `b` from all modules whose names start with `a`.

The `dump` command can be used to print all information about an object. For example, calling `dump $2` after the `cd example` above:

Listing 3.54: Output of dump \$2 after Listing 3.53

```

attribute \src "example.v:5.22-5.27"
cell $add $add$example.v:5$2
  parameter \A_SIGNED 0
  parameter \B_SIGNED 0
  parameter \A_WIDTH 1
  parameter \B_WIDTH 1
  parameter \Y_WIDTH 2
  connect \A \a
  connect \B \b
  connect \Y $add$example.v:5$2_Y
end

```

This can for example be useful to determine the names of nets connected to cells, as the net-names are usually suppressed in the circuit diagram if they are auto-generated. Note that the output is in the RTLIL representation, described in *The RTL Intermediate Language (RTLIL)*.

### Design Investigation

Yosys can also be used to investigate designs (or netlists created from other tools).

- The selection mechanism, especially patterns such as %ci and %co, can be used to figure out how parts of the design are connected.
- Commands such as *submod*, *expose*, and *splice* can be used to transform the design into an equivalent design that is easier to analyse.
- Commands such as *eval* and *sat* can be used to investigate the behavior of the circuit.
- *show - generate schematics using graphviz.*
- *dump - print parts of the design in RTLIL format.*
- *add - add objects to the design* and *delete - delete objects in the design* can be used to modify and reorganize a design dynamically.

The code used is included in the Yosys code base under docs/source/code\_examples/scrambler.

### Changing design hierarchy

Commands such as *flatten* and *submod* can be used to change the design hierarchy, i.e. flatten the hierarchy or moving parts of a module to a submodule. This has applications in synthesis scripts as well as in reverse engineering and analysis. An example using *submod* is shown below for reorganizing a module in Yosys and checking the resulting circuit.

Listing 3.55: scrambler.v

```

module scrambler(
    input clk, rst, in_bit,
    output reg out_bit
);
    reg [31:0] xs;
    always @(posedge clk) begin
        if (rst)
            xs = 1;
        xs = xs ^ (xs << 13);
    end
endmodule

```

(continues on next page)

(continued from previous page)

```

xs = xs ^ (xs >> 17);
xs = xs ^ (xs << 5);
out_bit <= in_bit ^ xs[0];
end
endmodule

```

Listing 3.56: scrambler.ys

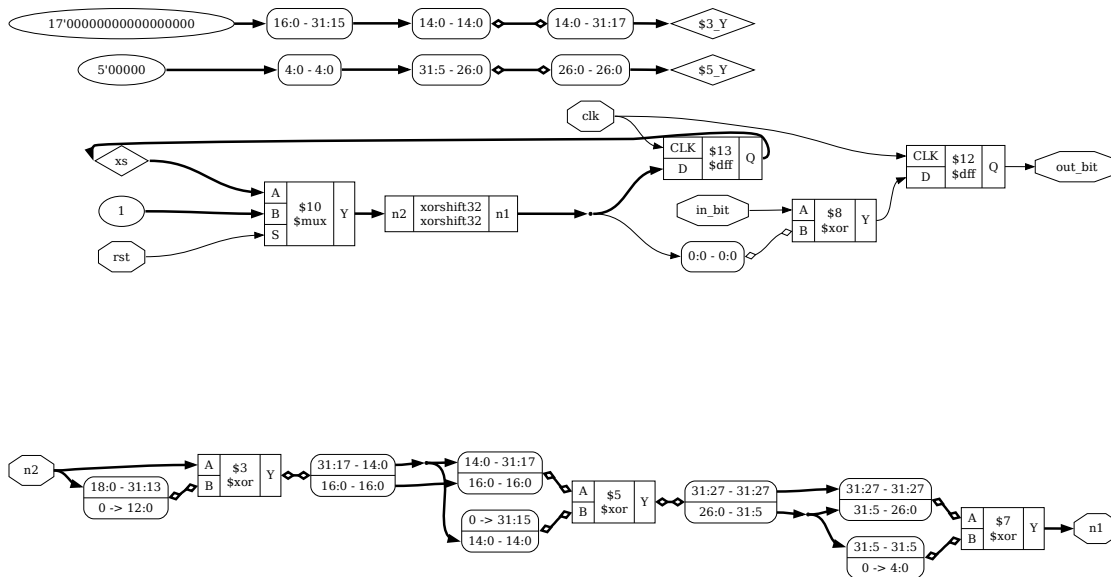
```

read_verilog scrambler.v

hierarchy; proc;;

cd scrambler
submod -name xorshift32 xs %c %ci %D %c %ci:+[D] %D %ci*:-$dff xs %co %ci %d

```



Analyzing the resulting circuit with *eval* - evaluate the circuit given an input:

### Todo

replace inline code

```

> cd xorshift32
> rename n2 in
> rename n1 out

> eval -set in 1 -show out
Eval result: \out = 270369.

```

(continues on next page)

(continued from previous page)

```
> eval -set in 270369 -show out
Eval result: \out = 67634689.
```

```
> sat -set out 632435482
```

Signal Name	Dec	Hex	Bin
\in	745495504	2c6f5bd0	00101100011011110101101111010000
\out	632435482	25b2331a	00100101101100100011001100011010

### Behavioral changes

Commands such as *techmap* can be used to make behavioral changes to the design, for example changing asynchronous resets to synchronous resets. This has applications in design space exploration (evaluation of various architectures for one circuit).

The following techmap map file replaces all positive-edge async reset flip-flops with positive-edge sync reset flip-flops. The code is taken from the example Yosys script for ASIC synthesis of the Amber ARMv2 CPU.

#### Todo

replace inline code

```
(* techmap_celltype = "$adff" *)
module adff2dff (CLK, ARST, D, Q);

    parameter WIDTH = 1;
    parameter CLK_POLARITY = 1;
    parameter ARST_POLARITY = 1;
    parameter ARST_VALUE = 0;

    input CLK, ARST;
    input [WIDTH-1:0] D;
    output reg [WIDTH-1:0] Q;

    wire [1023:0] _TECHMAP_DO_ = "proc";

    wire _TECHMAP_FAIL_ = !CLK_POLARITY || !ARST_POLARITY;

    always @(posedge CLK)
        if (ARST)
            Q <= ARST_VALUE;
        else
            Q <= D;

endmodule
```

For more on the *techmap* command, see the page on *Techmap by example*.

## Advanced investigation techniques

When working with very large modules, it is often not enough to just select the interesting part of the module. Instead it can be useful to extract the interesting part of the circuit into a separate module. This can for example be useful if one wants to run a series of synthesis commands on the critical part of the module and wants to carefully read all the debug output created by the commands in order to spot a problem. This kind of troubleshooting is much easier if the circuit under investigation is encapsulated in a separate module.

Recall the `memdemo` design from *Advanced logic cone selection*:

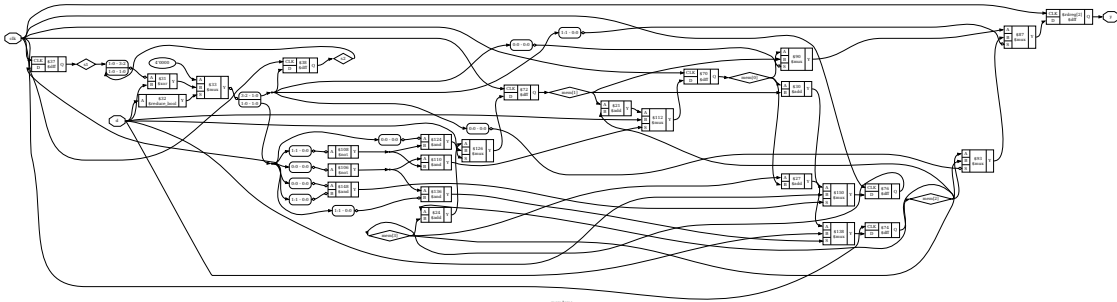


Fig. 3.30: `memdemo`

Because this produces a rather large circuit, it can be useful to split it into smaller parts for viewing and working with. Listing 3.57 does exactly that, utilising the `submod` command to split the circuit into three sections: `outstage`, `selstage`, and `scramble`.

Listing 3.57: Using `submod` to break up the circuit from `memdemo.v`

```
select -set outstage y %ci2:+$dff [Q,D] %ci*:-$mux[S]:-$dff
select -set selstage y %ci2:+$dff [Q,D] %ci*:-$dff @outstage %d
select -set scramble mem* %ci2 %ci*:-$dff mem* %d @selstage %d
submod -name scramble @scramble
submod -name outstage @outstage
submod -name selstage @selstage
```

The `-name` option is used to specify the name of the new module and also the name of the new cell in the current module. The resulting circuits are shown below.

## Evaluation of combinatorial circuits

The `eval` command can be used to evaluate combinatorial circuits. As an example, we will use the `selstage` subnet of `memdemo` which we found above and is shown in Fig. 3.32.

### Todo

replace inline code

```
yosys [selstage]> eval -set s2,s1 4'b1001 -set d 4'hc -show n2 -show n1
```

(continues on next page)

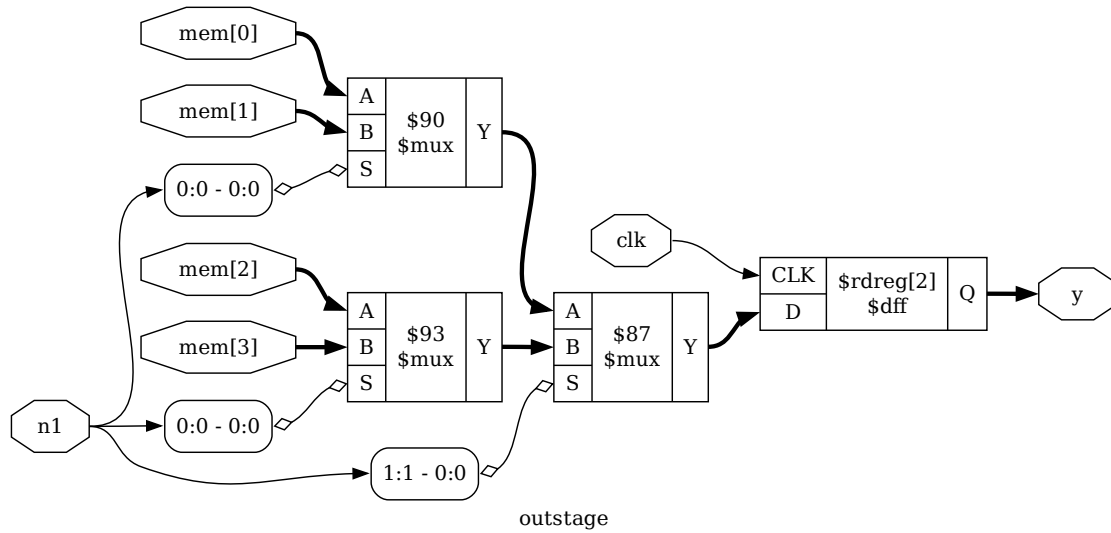


Fig. 3.31: outstage

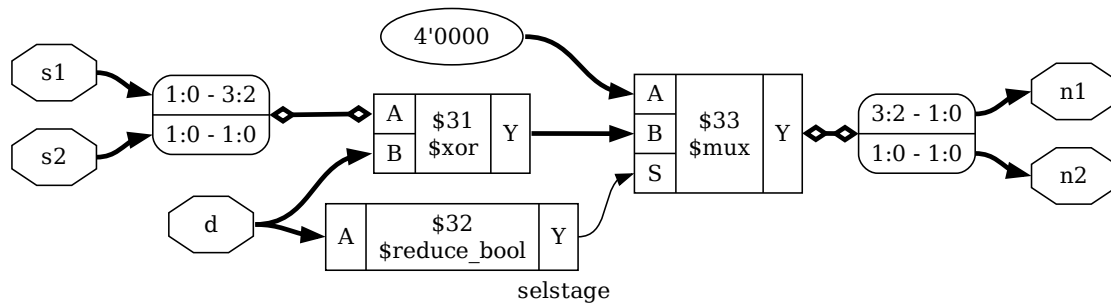


Fig. 3.32: selstage

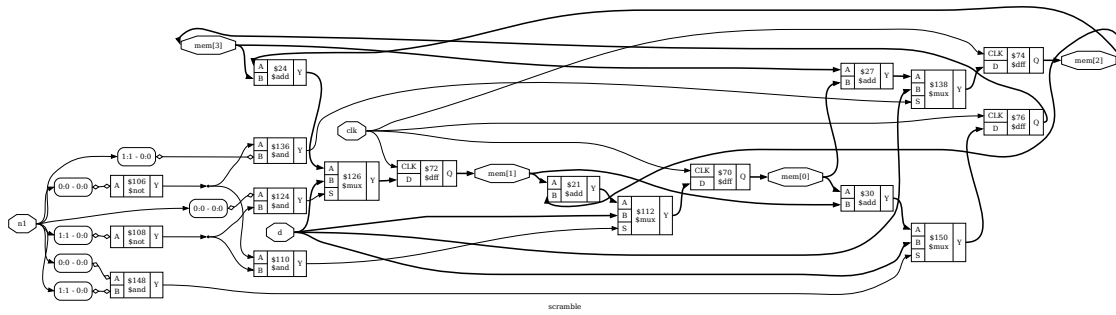


Fig. 3.33: scramble

(continued from previous page)

```

1. Executing EVAL pass (evaluate the circuit given an input).
Full command line: eval -set s2,s1 4'b1001 -set d 4'hc -show n2 -show n1
Eval result: \n2 = 2'10.
Eval result: \n1 = 2'10.

```

So the `-set` option is used to set input values and the `-show` option is used to specify the nets to evaluate. If no `-show` option is specified, all selected output ports are used per default.

If a necessary input value is not given, an error is produced. The option `-set-undef` can be used to instead set all unspecified input nets to undef (x).

The `-table` option can be used to create a truth table. For example:

```

yosys [selstage]> eval -set-undef -set d[3:1] 0 -table s1,d[0]

10. Executing EVAL pass (evaluate the circuit given an input).
Full command line: eval -set-undef -set d[3:1] 0 -table s1,d[0]

```

\s1	\d [0]	\n1	\n2
2'00	1'0	2'00	2'00
2'00	1'1	2'xx	2'00
2'01	1'0	2'00	2'00
2'01	1'1	2'xx	2'01
2'10	1'0	2'00	2'00
2'10	1'1	2'xx	2'10
2'11	1'0	2'00	2'00
2'11	1'1	2'xx	2'11

Assumed undef (x) value for the following signals: \s2

Note that the `eval` command (as well as the `sat` command discussed in the next sections) does only operate on flattened modules. It can not analyze signals that are passed through design hierarchy levels. So the `flatten` command must be used on modules that instantiate other modules before these commands can be applied.

## Solving combinatorial SAT problems

Often the opposite of the `eval` command is needed, i.e. the circuit's output is given and we want to find the matching input signals. For small circuits with only a few input bits this can be accomplished by trying all possible input combinations, as it is done by the `eval -table` command. For larger circuits however, Yosys provides the `sat` command that uses a SAT solver, `MiniSAT`, to solve this kind of problems.

### Note

While it is possible to perform model checking directly in Yosys, it is highly recommended to use SBY or EQY for formal hardware verification.

The `sat` command works very similar to the `eval` command. The main difference is that it is now also possible to set output values and find the corresponding input values. For Example:

### Todo

replace inline code

```
yosys [selstage]> sat -show s1,s2,d -set s1 s2 -set n2,n1 4'b1001

11. Executing SAT pass (solving SAT problems in the circuit).
Full command line: sat -show s1,s2,d -set s1 s2 -set n2,n1 4'b1001

Setting up SAT problem:
Import set-constraint: \s1 = \s2
Import set-constraint: { \n2 \n1 } = 4'b1001
Final constraint equation: { \n2 \n1 \s1 } = { 4'b1001 \s2 }
Imported 3 cells to SAT database.
Import show expression: { \s1 \s2 \d }

Solving problem with 81 variables and 207 clauses..
SAT solving finished - model found:
```

Signal Name	Dec	Hex	Bin
\d	9	9	1001
\s1	0	0	00
\s2	0	0	00

Note that the `sat` command supports signal names in both arguments to the `-set` option. In the above example we used `-set s1 s2` to constraint `s1` and `s2` to be equal. When more complex constraints are needed, a wrapper circuit must be constructed that checks the constraints and signals if the constraint was met using an extra output port, which then can be forced to a value using the `-set` option. (Such a circuit that contains the circuit under test plus additional constraint checking circuitry is called a `miter` circuit.)

Listing 3.58: `primetest.v`, a simple miter circuit for testing if a number is prime. But it has a problem.

```
module primetest(p, a, b, ok);
input [15:0] p, a, b;
```

(continues on next page)

(continued from previous page)

```
output ok = p != a*b || a == 1 || b == 1;
endmodule
```

Listing 3.58 shows a miter circuit that is supposed to be used as a prime number test. If `ok` is 1 for all input values `a` and `b` for a given `p`, then `p` is prime, or at least that is the idea.

### Todo

replace inline code

Listing 3.59: Experiments with the miter circuit from `primetest`.  
v.

```
yosys [primetest]> sat -prove ok 1 -set p 31
```

1. Executing SAT pass (solving SAT problems in the circuit).

Full command line: `sat -prove ok 1 -set p 31`

Setting up SAT problem:

Import set-constraint: `\p = 16'000000000011111`

Final constraint equation: `\p = 16'000000000011111`

Imported 6 cells to SAT database.

Import proof-constraint: `\ok = 1'1`

Final proof equation: `\ok = 1'1`


Solving problem with 2790 variables and 8241 clauses..

SAT proof finished - model found: FAIL!

```
(-----\
          /-----)  /-----)  (-----)  |-----|  |-----|
|-----/-----)  \-----/-----)  (-----)  |-----|  |-----| | | | | |
|-----|-----|-----|-----|-----|  |-----/-----|-----|-----|
|-----|-----|-----|-----|-----|  |-----\-----|-----)\-----|
```

Signal Name	Dec	Hex	Bin
<code>\a</code>	15029	3ab5	0011101010110101
<code>\b</code>	4099	1003	0001000000000011
<code>\ok</code>	0	0	0
<code>\p</code>	31	1f	000000000011111

The Yosys shell session shown in Listing 3.59 demonstrates that SAT solvers can even find the unexpected solutions to a problem: Using integer overflow there actually is a way of “factorizing” 31. The clean solution would of course be to perform the test in 32 bits, for example by replacing `p != a*b` in the miter with `p != {16'd0,a}b`, or by using a temporary variable for the 32 bit product `a*b`. But as 31 fits well into 8 bits (and as the purpose of this document is to show off Yosys features) we can also simply force the upper 8 bits of `a` and `b` to zero for the `sat` call, as is done below.

 **Todo**

replace inline code

Listing 3.60: Miter circuit from `primetest.v`, with the upper 8 bits of `a` and `b` constrained to prevent overflow.

```
yosys [primetest]> sat -prove ok 1 -set p 31 -set a[15:8],b[15:8] 0

1. Executing SAT pass (solving SAT problems in the circuit).
Full command line: sat -prove ok 1 -set p 31 -set a[15:8],b[15:8] 0

Setting up SAT problem:
Import set-constraint: \p = 16'0000000000011111
Import set-constraint: { \a [15:8] \b [15:8] } = 16'0000000000000000
Final constraint equation: { \a [15:8] \b [15:8] \p } = { 16'0000000000000000 16
↪ '0000000000011111 }
Imported 6 cells to SAT database.
Import proof-constraint: \ok = 1'1
Final proof equation: \ok = 1'1

Solving problem with 2790 variables and 8257 clauses..
SAT proof finished - no model found: SUCCESS!


      /$$$$$$      /$$$$$$      /$$$$$$
     /$__ $$      | $$_---/      | $$_ $$
    | $$ \ $$      | $$          | $$ \ $$
    | $$ | $$      | $$$$$$      | $$ | $$
    | $$ | $$      | $$_/        | $$ | $$
    | $$/$$ $$     | $$          | $$ | $$
    | $$$$$$/ /$$ | $$$$$$$/ /$$ | $$$$$$/ /$$
    \___ $$$$|__/_/|_---/_/|_---/_/|_---/_/|_---/_/
           \_/_/
```

The `-prove` option used in Listing 3.60 works similar to `-set`, but tries to find a case in which the two arguments are not equal. If such a case is not found, the property is proven to hold for all inputs that satisfy the other constraints.

It might be worth noting, that SAT solvers are not particularly efficient at factorizing large numbers. But if a small factorization problem occurs as part of a larger circuit problem, the Yosys SAT solver is perfectly capable of solving it.

### Solving sequential SAT problems

The SAT solver functionality in Yosys can not only be used to solve combinatorial problems, but can also solve sequential problems. Let's consider the `memdemo` design from *Advanced logic cone selection* again, and suppose we want to know which sequence of input values for `d` will cause the output `y` to produce the sequence 1, 2, 3 from any initial state. Let's use the following command:

 **Todo**

replace inline code?

```
sat -seq 6 -show y -show d -set-init-undef \  
-max_undef -set-at 4 y 1 -set-at 5 y 2 -set-at 6 y 3
```

The `-seq 6` option instructs the `sat` command to solve a sequential problem in 6 time steps. (Experiments with lower number of steps have show that at least 3 cycles are necessary to bring the circuit in a state from which the sequence 1, 2, 3 can be produced.)

The `-set-init-undef` option tells the `sat` command to initialize all registers to the undef (x) state. The way the x state is treated in Verilog will ensure that the solution will work for any initial state.

The `-max_undef` option instructs the `sat` command to find a solution with a maximum number of undefs. This way we can see clearly which inputs bits are relevant to the solution.

Finally the three `-set-at` options add constraints for the y signal to play the 1, 2, 3 sequence, starting with time step 4.

This produces the following output:

### Todo

replace inline code

Listing 3.61: Solving a sequential SAT problem in the memdemo module.

```
yosys [memdemo]> sat -seq 6 -show y -show d -set-init-undef \  
-max_undef -set-at 4 y 1 -set-at 5 y 2 -set-at 6 y 3
```

```
1. Executing SAT pass (solving SAT problems in the circuit).  
Full command line: sat -seq 6 -show y -show d -set-init-undef  
-max_undef -set-at 4 y 1 -set-at 5 y 2 -set-at 6 y 3
```

```
Setting up time step 1:  
Final constraint equation: { } = { }  
Imported 29 cells to SAT database.
```

```
Setting up time step 2:  
Final constraint equation: { } = { }  
Imported 29 cells to SAT database.
```

```
Setting up time step 3:  
Final constraint equation: { } = { }  
Imported 29 cells to SAT database.
```

```
Setting up time step 4:  
Import set-constraint for timestep: \y = 4'0001  
Final constraint equation: \y = 4'0001  
Imported 29 cells to SAT database.
```

```
Setting up time step 5:  
Import set-constraint for timestep: \y = 4'0010  
Final constraint equation: \y = 4'0010  
Imported 29 cells to SAT database.
```

(continues on next page)

(continued from previous page)

```

Setting up time step 6:
Import set-constraint for timestep: \y = 4'0011
Final constraint equation: \y = 4'0011
Imported 29 cells to SAT database.

Setting up initial state:
Final constraint equation: { \y \s2 \s1 \mem[3] \mem[2] \mem[1]
    \mem[0] } = 24'xxxxxxxxxxxxxxxxxxxxxxxxxxxx

Import show expression: \y
Import show expression: \d

Solving problem with 10322 variables and 27881 clauses..
SAT model found. maximizing number of undefs.
SAT solving finished - model found:

```

Time	Signal Name	Dec	Hex	Bin
---	-----	---	---	-----
init	\mem[0]	--	--	xxxx
init	\mem[1]	--	--	xxxx
init	\mem[2]	--	--	xxxx
init	\mem[3]	--	--	xxxx
init	\s1	--	--	xx
init	\s2	--	--	xx
init	\y	--	--	xxxx
---	-----	---	---	-----
1	\d	0	0	0000
1	\y	--	--	xxxx
---	-----	---	---	-----
2	\d	1	1	0001
2	\y	--	--	xxxx
---	-----	---	---	-----
3	\d	2	2	0010
3	\y	0	0	0000
---	-----	---	---	-----
4	\d	3	3	0011
4	\y	1	1	0001
---	-----	---	---	-----
5	\d	--	--	001x
5	\y	2	2	0010
---	-----	---	---	-----
6	\d	--	--	xxxx
6	\y	3	3	0011

It is not surprising that the solution sets  $d = 0$  in the first step, as this is the only way of setting the  $s1$  and  $s2$  registers to a known value. The input values for the other steps are a bit harder to work out manually, but the SAT solver finds the correct solution in an instant.

There is much more to write about the `sat` command. For example, there is a set of options that can be used to perform sequential proofs using temporal induction [EenSorensson03]. The command `help sat` can be used to print a list of all options with short descriptions of their functions.

### 3.2.4 Symbolic model checking

#### Todo

check text context

#### Note

While it is possible to perform model checking directly in Yosys, it is highly recommended to use SBY or EQY for formal hardware verification.

Symbolic Model Checking (SMC) is used to formally prove that a circuit has (or has not) a given property.

One application is Formal Equivalence Checking: Proving that two circuits are identical. For example this is a very useful feature when debugging custom passes in Yosys.

Other applications include checking if a module conforms to interface standards.

The `sat` command in Yosys can be used to perform Symbolic Model Checking.

#### Checking techmap

#### Todo

add/expand supporting text

Let's take a look at an example included in the Yosys code base under `docs/source/code_examples/synth_flow`:

Listing 3.62: `techmap_01_map.v`

```

module \${add} (A, B, Y);

parameter A_SIGNED = 0;
parameter B_SIGNED = 0;
parameter A_WIDTH = 1;
parameter B_WIDTH = 1;
parameter Y_WIDTH = 1;

input [A_WIDTH-1:0] A;
input [B_WIDTH-1:0] B;
output [Y_WIDTH-1:0] Y;

generate
  if ((A_WIDTH == 32) && (B_WIDTH == 32))
  begin
    wire [16:0] S1 = A[15:0] + B[15:0];
    wire [15:0] S2 = A[31:16] + B[31:16] + S1[16];
    assign Y = {S2[15:0], S1[15:0]};
  end
else

```

(continues on next page)

(continued from previous page)

```

    wire _TECHMAP_FAIL_ = 1;
endgenerate

endmodule

```

Listing 3.63: techmap\_01.v

```

module test(input [31:0] a, b,
            output [31:0] y);
assign y = a + b;
endmodule

```

Listing 3.64: techmap\_01.yo

```

read_verilog techmap_01.v
hierarchy -check -top test
techmap -map techmap_01_map.v;;

```

To see if it is correct we can use the following code:

### Todo

replace inline code

```

# read test design
read_verilog techmap_01.v
hierarchy -top test

# create two version of the design: test_orig and test_mapped
copy test test_orig
rename test test_mapped

# apply the techmap only to test_mapped
techmap -map techmap_01_map.v test_mapped

# create a miter circuit to test equivalence
miter -equiv -make_assert -make_outputs test_orig test_mapped miter
flatten miter

# run equivalence check
sat -verify -prove-asserts -show-inputs -show-outputs miter

```

Result:

```

Solving problem with 945 variables and 2505 clauses..
SAT proof finished - no model found: SUCCESS!

```

## AXI4 Stream Master

The code used in this section is included in the Yosys code base under `docs/source/code_examples/axis`.

The following AXI4 Stream Master has a bug. But the bug is not exposed if the slave keeps `tready` asserted all the time. (Something a test bench might do.)

Symbolic Model Checking can be used to expose the bug and find a sequence of values for `tready` that yield the incorrect behavior.

### Todo

add/expand supporting text

Listing 3.65: `axis_master.v`

```

module axis_master(aclk, aresetn, tvalid, tready, tdata);
    input aclk, aresetn, tready;
    output reg tvalid;
    output reg [7:0] tdata;

    reg [31:0] state;
    always @(posedge aclk) begin
        if (!aresetn) begin
            state <= 314159265;
            tvalid <= 0;
            tdata <= 'bx;
        end else begin
            if (tvalid && tready)
                tvalid <= 0;
            if (!tvalid || !tready) begin
                //             ~- should not be inverted!
                state = state ^ state << 13;
                state = state ^ state >> 7;
                state = state ^ state << 17;
                if (state[9:8] == 0) begin
                    tvalid <= 1;
                    tdata <= state;
                end
            end
        end
    end
endmodule

```

Listing 3.66: `axis_test.v`

```

module axis_test(aclk, tready);
    input aclk, tready;
    wire aresetn, tvalid;
    wire [7:0] tdata;

    integer counter = 0;
    reg aresetn = 0;

```

(continues on next page)

(continued from previous page)

```

axis_master uut (aclk, aresetn, tvalid, tready, tdata);

always @(posedge aclk) begin
    if (aresetn && tready && tvalid) begin
        if (counter == 0) assert(tdata == 19);
        if (counter == 1) assert(tdata == 99);
        if (counter == 2) assert(tdata == 1);
        if (counter == 3) assert(tdata == 244);
        if (counter == 4) assert(tdata == 133);
        if (counter == 5) assert(tdata == 209);
        if (counter == 6) assert(tdata == 241);
        if (counter == 7) assert(tdata == 137);
        if (counter == 8) assert(tdata == 176);
        if (counter == 9) assert(tdata == 6);
        counter <= counter + 1;
    end
    aresetn <= 1;
end
endmodule

```

Listing 3.67: test.yys

```

read_verilog -sv axis_master.v axis_test.v
hierarchy -top axis_test

proc; flatten;;
sat -seq 50 -prove-asserts

```

Result with unmodified axis\_master.v:

#### Todo

replace inline code

```

Solving problem with 159344 variables and 442126 clauses..
SAT proof finished - model found: FAIL!

```

Result with fixed axis\_master.v:

```

Solving problem with 159144 variables and 441626 clauses..
SAT proof finished - no model found: SUCCESS!

```

### Witness framework and per-property tracking

When using AIGER-based formal verification flows (such as the abc engine in SBY), Yosys provides infrastructure for tracking individual formal properties through the verification pipeline.

The `rename -witness` pass assigns public names to all cells that participate in the witness framework:

- Witness signal cells: `$anyconst`, `$anyseq`, `$anyinit`, `$allconst`, `$allseq`
- Formal property cells: `$assert`, `$assume`, `$cover`, `$live`, `$fair`, `$check`

These public names allow downstream tools to refer to individual properties by their hierarchical path rather than by anonymous internal identifiers.

The `write_aiger -ywmap` option generates a map file for conversion to and from Yosys witness traces, and also allows for mapping AIGER bad-state properties and invariant constraints back to individual formal properties by name. This enables features like per-property pass/fail reporting (e.g. `abc pdr` with `--keep-going` mode).

The `write_smt2` backend similarly uses the public witness names when emitting SMT2 comments. Cells whose `hdlname` attribute contains the `_witness_` marker are treated as having private names for comment purposes, keeping solver output clean.

### 3.2.5 Dataflow tracking

Yosys can be used to answer questions such as “can this signal affect this other signal?” via its *dataflow tracking* support. For this, four special cells, `$get_tag`, `$set_tag`, `$overwrite_tag` and `$original_tag` are inserted into the design (e.g. by a custom Yosys pass) and then the `dft_tag` is run, which converts these cells into ordinary logic. Typically, one would then use `SBY` to prove assertions involving these cells.

Ordinarily in Yosys, the state of a bit is simply 0 or 1 (or one of the special values, z and x). During dataflow tracking they are augmented with a set of tags. For example, the state of a bit could be 0 and the set of tags "KEY" and "OVERFLOW".

In addition to their usual operations on the logical bits, Yosys operations must now also process the status of the tags. For this, tags are simply *forwarded* or *propagated* (i.e. copied) from inputs to outputs, according to the following general rule:

A tag is forwarded from an input to an output if the input can affect the output, for that particular state of all other inputs.

For example, XOR, AND and OR cells propagate tags as follows:

1. XOR simply forwards all tags from its inputs to its output, because inputs to XOR can always affect the output.
2. AND forwards tags on a given input only if the other input is 1. Because if one input is 0, the other input can never affect the output.
3. Similarly, OR forwards tags only if the other input is 0.

There are two exceptions to this rule:

1. In general, propagation is only determined approximately. For example, unless the `dft_tag` code knows about a cell, it simply assumes the worst-case behaviour that all inputs can affect all outputs. Further, the code also does not consider that, when a signal affects multiple inputs of a cell, the resulting simultaneous changes of the inputs can cancel each other out, for example  $A \wedge A$  or  $A \wedge (B \wedge A)$  is independent of A, but its tags would be propagated nonetheless.
2. If tag groups are used, the rules are modified (see below).

Because of this propagation behaviour, we can answer questions about what signals are affected by a certain signal, by injecting a tag at that point in the circuit, and observing where the tag is visible.

#### Example use cases

As an example use case, consider a cryptographic processor which is not supposed to expose its secret keys to the outside world. We can tag all key bits with the "KEY" tag and use `SBY` to formally verify that no external signal ever carries the "KEY" tag, meaning that key information is not visible to the outside. As a caveat, we have to manually clear the "KEY" tag during cryptographic operations, as proving that the cryptographic operations themselves do not leak key information is beyond the ability of Yosys. However

we can still easily detect, if e.g. an engineer forgot to remove debugging code that allows reading back key data.

As a different use case, we can modify all adders in the design to set the "OVERFLOW" tag on their output bits, if the addition overflowed, and then add asserts to all flip-flop inputs and output signals that they do not carry the "OVERFLOW" tag, i.e. that the results of overflowed additions never affect system state. Note that in this particular example we use the ability of tag insertion to be conditional on logic, in this case the overflow condition of an adder.

### Semantics of dataflow tracking cells

`$set_tag` has inputs A, SET, CLR, an output Y and a string parameter TAG. The logic value of A and all tags other than the one named by the TAG parameter are simply copied to Y. If SET is 1, then the named tag is added to Y. Otherwise, if CLR is 1, then the named tag is removed. Otherwise, the tag is unchanged, i.e. it is present in Y if it is present in A.

`$get_tag` has an input A and an output Y and a string parameter TAG. `$get_tag` inspects A for the presence or absence of a tag of the given name and sets Y to 1 if the tag is present. The logical value of A is completely ignored.

`$overwrite_tag` functions like `$set_tag`, but lacks the Y output. Instead of providing a modified version of the input signal, it modifies the signal A "in-place", i.e. if a signal is input to `$overwrite_tag`, that is equivalent to interposing a `$set_tag` between its driver and all cells it is connected to. The main purpose of `$overwrite_tag` is adding tags to signals produced within a module that cannot or should not be modified itself.

`$original_tag` functions identically to `$get_tag`, but ignores `$overwrite_tag`, i.e. when converting the `$overwrite_tag` to `$set_tag` as described above, it is equivalent to inserting the `$get_tag` *before* the `$set_tag`.

### Tag groups

Tag groups are an advanced feature that modify the propagation rule discussed above. To use tag groups, simply name tags according to the schema "group:name". For example, "key:0", "key:a", "key:b" would be three tags in the "key" group.

The propagation rule is then amended by

Inputs cannot block the propagation of each other's tags for tags of the same group.

For example, an AND gate will propagate a given tag on one input, if the other input is either 1 or carries a tag of the same group. So if one input is 0, "key:a" and the other is 0, "key:b" the result would be 0, "key:a", "key:b", rather than simply 0. Note that if we add an unrelated "overflow" tag to the first input, it would still not be propagated.

## 3.3 Minimizing failing (or bugged) designs

### Todo

pending merge of <https://github.com/YosysHQ/yosys/pull/5068>

This document is a how-to guide for reducing problematic designs to the bare minimum needed for reproducing the issue. This is a Yosys specific alternative to the Stack Overflow article: [How to create a Minimal, Reproducible Example](#), and is intended to help when there's something wrong with your design, or with Yosys itself.

**Note**

This guide assumes a moderate degree of familiarity with Yosys and requires some amount of problem solving ability.

### 3.3.1 Before you start

The first (and often overlooked) step, is to check for and *read* any error messages or warnings. Passing the `-q` flag when running Yosys will make it so that only warnings and error messages are written to the console. Don't just read the last message either, there may be warnings that indicate a problem before it happens. While some things may only be regarded as warnings, such as multiple drivers for the same signal or logic loops, these can cause problems in some synthesis flows but not others.

A Yosys error (one that starts with `ERROR:`) may give you a line number from your design, or the name of the object causing issues. If so, you may already have enough information to resolve the problem, or at least understand why it's happening.

**Note**

If you're not already, try using the latest version from the [Yosys GitHub](#). You may find that your issue has already been fixed! And even if it isn't, testing with two different versions is a good way to ensure reproducibility.

Another thing to be aware of is that Yosys generally doesn't perform rigorous checking of input designs to ensure they are valid. This is especially true for the `read_verilog` frontend. It is instead recommended that you try load it with `iverilog` or `verilator` first, as an invalid design can often lead to unexpected issues.

If you're using a custom synthesis script, try take a bit of time to figure out which command is failing. Calling `echo on` at the start of your script will `echo` each command executed; the last echo before the error should then be where the error has come from. Check the help message for the failing command; does it indicate limited support, or mention some other command that needs to be run first? You can also try to call `check` and/or `hierarchy -check` before the failure to see if they report and errors or warnings.

### 3.3.2 Minimizing RTLIL designs with bugpoint

Yosys provides the `bugpoint` command for reducing a failing design to the smallest portion of that design which still results in failure. While initially developed for Yosys crashes, `bugpoint` can also be used for designs that lead to non-fatal errors, or even failures in other tools that use the output of a Yosys script.

**Note**

Make sure to back up your code (design source and yosys script(s)) before making any modifications. Even if the code itself isn't important, this can help avoid "losing" the error while trying to debug it.

#### Can I use bugpoint?

The first thing to be aware of is that `bugpoint` is not available in every build of Yosys. Because the command works by invoking external processes, it requires that Yosys can spawn executables. Notably this means `bugpoint` is not able to be used in WebAssembly builds such as that available via YoWASP. The easiest way to check your build of Yosys is by running `yosys -h bugpoint`. If Yosys displays the help text for `bugpoint` then it is available for use.

Listing 3.68: *bugpoint* is unavailable

```
$ yosys -h bugpoint
-- Running command `help bugpoint' --
No such command or cell type: bugpoint
```

Next you need to separate loading the design from the failure point; you should be aiming to reproduce the failure by running `yosys -s <load.y> -s <failure.y>`. If the failure occurs while loading the design, such as during *read\_verilog* you will instead have to minimize the input design yourself. Check out the instructions for *Minimizing Verilog designs* below.

### Note

You should also be able to run the two scripts separately, calling first `yosys -s <load.y> -p 'write_rtlil design.il'` and then `yosys -s <failure.y> design.il`. If this doesn't work then it may mean that the failure isn't reproducible from RTLIL and *bugpoint* won't work either.

When we talk about failure points here, it doesn't just mean crashes or errors in Yosys. The `<failure.y>` script can also be a user-defined failure such as the *select* command with one of the `-assert-*` options; an example where this might be useful is when a pass is supposed to remove a certain kind of cell, but there is some edge case where the cell is not removed. Another use-case would be minimizing a design which fails with the *equiv\_opt* command, suggesting that the optimization in question alters the circuit in some way.

It is even possible to use *bugpoint* with failures *external* to Yosys, by making use of the *exec* command in `<failure.y>`. This is especially useful when Yosys is outputting an invalid design, or when some other tool is incompatible with the design. Be sure to use the `exec -expect-*` options so that the pass/fail can be detected correctly. Multiple calls to *exec* can be made, or even entire shell scripts:

```
exec -expect-return 1 --bash <script.sh>
```

Our final failure we can use with *bugpoint* is one returned by a wrapper process, such as *valgrind* or *timeout*. In this case you will be calling something like `<wrapper> yosys -s <failure.y> design.il`. Here, Yosys is run under a wrapper process which checks for some failure state, like a memory leak or excessive runtime.

### How do I use bugpoint?

At this point you should have:

1. either an RTLIL file containing the design to minimize (referred to here as `design.il`), or a Yosys script, `<load.y>`, which loads it; and
2. a Yosys script, `<failure.y>`, which produces the failure and returns a non-zero return status.

Now call `yosys -qq -s <failure.y> design.il` and take note of the error(s) that get printed. A template script, `<bugpoint.y>`, is provided here which you can use. Make sure to configure it with the correct filenames and use only one of the methods to load the design. Fill in the `-grep` option with the error message printed just before. If you are using a wrapper process for your failure state, add the `-runner "<wrapper>"` option to the *bugpoint* call.

Listing 3.69: &lt;bugpoint.y&gt; template script

```
# Load design
read_rtlil design.il
## OR
script <load.y>

# Call bugpoint with failure
bugpoint -script <failure.y> -grep "<string>"

# Save minimized design
write_rtlil min.il
```

The `-grep` option is used to search the log file generated by the Yosys under test. If the error message is generated by something else, such as a wrapper process or compiler sanitizer, then you should instead use `-err_grep`. For an OS error, like a `SEGFault`, you can also use `-expect-return` to check the error code returned.

#### Note

Checking the error message or return status is optional, but highly recommended. *bugpoint* can quite easily introduce bugs by creating malformed designs that commands were not intended to handle. By having some way to check the error, *bugpoint* can ensure that it is the *right* error being reproduced. This is even more important when `<failure.y>` contains more than one command.

By default, *bugpoint* is able to remove any part of the design. In order to keep certain parts, for instance because you already know they are related to the failure, you can use the `bugpoint_keep` attribute. This can be done with `(* bugpoint_keep *)` in Verilog, `attribute \bugpoint_keep 1` in RTLIL, or `setattr -set bugpoint_keep 1 [selection]` from a Yosys script. It is also possible to limit *bugpoint* to only removing certain *kinds* of objects, such as only removing entire modules or cells (instances of modules). For more about the options available, check `help bugpoint` or *bugpoint - minimize testcases*.

In some situations, it may also be helpful to use *setenv* before *bugpoint* to set environment variables for the spawned processes. An example of this is `setenv UBSAN_OPTIONS halt_on_error=1` for where you are trying to raise an error on undefined behaviour but only want the child process to halt on error.

#### Note

Using *setenv* in this way may or may not affect the current process. For instance the `UBSAN_OPTIONS halt_on_error` here only affects child processes, as does the *Yosys environment variable* `ABC` because they are only read on start-up. While others, such as `YOSYS_NOVERIFIC` and `HOME`, are evaluated each time they are used.

Once you have finished configuration, you can now run `yosys <bugpoint.y>`. The first thing *bugpoint* will do is test the input design fails. If it doesn't, make sure you are using the right `yosys` executable; unless the `-yosys` option is provided, it will use whatever the shell defaults to, *not* the current `yosys`. If you are using the `-runner` option, try replacing the *bugpoint* command with `write_rtlil test.il` and then on a new line, `!<wrapper> yosys -s <failure.y> test.il` to check it works as expected and returns a non-zero status.

**↪ See also**

For more on script parsing and the use of `!`, check out *Script parsing*.

Depending on the size of your design, and the length of your `<failure.y>`, *bugpoint* may take some time; remember, it will run `yosys -s <failure.y>` on each iteration of the design. The bigger the design, the more iterations. The longer the `<failure.y>`, the longer each iteration will take. As the design shrinks and *bugpoint* converges, each iteration should take less and less time. Once all simplifications are exhausted and there are no more objects that can be removed, the script will continue and the minimized design can be saved.

**What do I do with the minimized design?**

First off, check the minimized design still fails. This is especially important if you're not using *write\_rtlil* to output the minimized design. For example, if you ran *example bugpoint minimizer* below, then calling `yosys -s <failure.y> min.v` should still fail in the same way.

Listing 3.70: example *bugpoint* minimizer

```
read_verilog design.v
bugpoint -script <failure.y>
write_verilog min.v
```

The *write\_rtlil* command is generally more reliable, since *bugpoint* will have run that exact code through the failing script. Other *write\_\** commands convert from the RTLIL and then back again during the *read\_\** which can result in differences which mean the design no longer fails.

**i Note**

Simply calling Yosys with the output of *write\_\**, as in `yosys -s <failure.y> min.v`, does not guarantee that the corresponding *read\_\** will be used. For more about this, refer to *Loading a design*, or load the design explicitly with `yosys -p 'read_verilog min.v' -s <failure.y>`.

Once you've verified the failure still happens, check out *Identifying issues* for more on what to do next.

**3.3.3 Minimizing Verilog designs****↪ See also**

This section is not specific to Yosys, so feel free to use another guide such as Stack Overflow's *How to create a Minimal, Reproducible Example*.

Be sure to check any errors or warnings for messages that might identify source lines or object names that might be causing the failure, and back up your source code before modifying it. If you have multiple source files, you should start by reducing them down to a single file. If a specific file is failing to read, try removing everything else and just focus on that one. If your source uses the `include` directive, replace it with the contents of the file referenced.

Unlike RTLIL designs where we can use *bugpoint*, Yosys does not provide any tools for minimizing Verilog designs. Instead, you should use an external tool like *C-Reduce* (with the `--not-c` flag) or *sv-bugpoint*.

## C-Reduce

As a very brief overview for using C-Reduce, you want your failing source design (`test.v`), and some shell script which checks for the error being investigated (`test.sh`). Below is an *Example test.sh for C-Reduce* which uses `logger` and the `-expect error "<string>" 1` option to perform a similar role to `bugpoint` `-grep`, along with `verilator` to lint the code and make sure it is still valid.

Listing 3.71: Example test.sh for C-Reduce

```
#!/usr/bin/env bash
verilator --lint-only test.v &&/
yosys -p 'logger -expect error "unsupported" 1; read_verilog test.v'
```

Listing 3.72: input test.v

```
module top(input clk, a, b, c, output x, y, z);
    always @(posedge clk) begin
        if (a == 1'b1)
            $stop;
    end
    assign x = a;
    assign y = a ^ b;
    assign z = c;
endmodule
```

In this example `read_verilog test.v` is giving an error message that contains the string “unsupported” because the `$stop` system task is only supported in initial blocks. By calling `creduce ./test.sh test.v --not-c` we can minimize the design to just the failing code, while still being valid Verilog.

Listing 3.73: output test.v

```
module a;
always begin $stop;
end endmodule
```

## sv-bugpoint

`sv-bugpoint` works quite similarly to C-Reduce, except it requires an output directory to be provided and the check script needs to accept the target file as an input argument: `sv-bugpoint outDir/ test.sh test.v`

Listing 3.74: Example test.sh for sv-bugpoint

```
#!/usr/bin/env bash
verilator --lint-only $1 &&/
yosys -p "logger -expect error \"unsupported\" 1; read_verilog $1"
```

Notice that the commands for `yosys -p` are now in double quotes (`"`), and the quotes around the error string are escaped (`\`). This is necessary for the `$1` argument substitution to work correctly.

## Doing it manually

If for some reason you are unable to use a tool to minimize your code, you can still do it manually. But it can be a time consuming process and requires a lot of iteration. At any point in the process, you can check for anything that is unused or totally disconnected (ports, wires, etc) and remove them. If a specific module is causing the problem, try to set that as the top module instead. Any parameters should have their default values changed to match the failing usage.

As a rule of thumb, try to split things roughly in half at each step; similar to a “binary search”. If you have 10 cells (instances of modules) in your top module, and have no idea what is causing the issue, split them into two groups of 5 cells. For each group of cells, try remove them and see if the failure still happens. If the error still occurs with the first group removed, but disappears when the second group is removed, then the first group can be safely removed. If a module has no more instances, remove it entirely. Repeat this for each remaining group of cells until each group only has 1 cell in it and no more cells can be removed without making the error disappear. You can also repeat this for each module still in your design.

After minimizing the number of cells, do the same for the process blocks in your top module. And again for any generate blocks and combinational blocks. Remember to check for any ports or signals which are no longer used and remove those too. Any signals which are written but never read can also be removed.

#### **Note**

Depending on where the design is failing, there are some commands which may help in identifying unused objects in the design. `hierarchy` will identify which modules are used and which are not, but check for `$paramod` modules before removing unused ones. `debug clean` will list all unused wires in each module, as well as unused cells which were automatically generated (giving the line number of the source that generated them). Adding the `-purge` flag will also include named wires that would normally be ignored by `clean`. Though when there are large numbers of unused wires it is often easier to just delete sections of the code and see what happens.

Next, try to remove or reduce assignments (`a = b`) and operations (`a + b`). A good place to start is by checking for any wires/registers which are read but never written. Try removing the signal declaration and replacing references to it with `'0` or `'x`. Do this with any constants too. Try to replace strings with numeric values, and wide signals with smaller ones, then see if the error persists.

Check if there are any operations that you can simplify, like replacing `a & '0` with `'0`. If you have enable or reset logic, try removing it and see if the error still occurs. Try reducing `if .. else` and `case` blocks to a single case. Even if that doesn't work, you may still be able to remove some paths; start with cases that appear to be unreachable and go from there.

#### **Note**

When sharing code on the [Yosys GitHub](#), please try to keep things in English. Declarations and strings should stick to the letters a-z and numbers 0-9, unless the error is arising because of the names/characters used.

### 3.3.4 Identifying issues

When identifying issues, it is quite useful to understand the conditions under which the issue is occurring. While there are occasionally bugs that affect a significant number of designs, Yosys changes are tested on a variety of designs and operating systems which typically catch any such issues before they make it into the main branch. So what is it about your situation that makes it unusual?

#### **Note**

If you have access to a different platform you could also check if your issue is reproducible there. Some issues may be specific to the platform or build of Yosys.

Try to match the minimized design back to its original context. Could you achieve the same thing a different way, and if so, does this other method have the same issue? Try to change the design in small ways and see

what happens; while *bugpoint* can reduce and simplify a design, it doesn't *change* much. What happens if you change operators, for example a left shift (or *\$shl*) to a right shift (or *\$shr*)? Try to see if the issue is tied to specific parameters, widths, or values.

Search [the existing issues](#) and see if someone has already made a bug report. This is where changing the design and finding the limits of what causes the failure really comes in handy. If you're more familiar with how the problem can arise, you may be able to find a related issue more easily. If an issue already exists for one case of the problem but you've found other cases, you can comment on the issue and help get it solved. If there are no existing or related issues already, then check out the steps for [Reporting bugs](#).

#### Warning

If you are using a fuzzer to find bugs, follow the instructions for [Identifying the root cause of bugs](#). **Do not** open more than one fuzzer generated issue at a time if you can not identify the root cause. If you are found to be doing this, your issues may be closed without further investigation.

## 3.4 Notes on Verilog support in Yosys

### 3.4.1 Unsupported Verilog-2005 Features

The following Verilog-2005 features are not supported by Yosys and there are currently no plans to add support for them:

- Non-synthesizable language features as defined in IEC 62142(E):2005 / IEEE Std. 1364.1(E):2002
- The `tri`, `triand` and `trior` net types
- The `config` and `disable` keywords and library map files

### 3.4.2 Verilog Attributes and non-standard features

- The `full_case` attribute on case statements is supported (also the non-standard `// synopsys full_case` directive)
- The `parallel_case` attribute on case statements is supported (also the non-standard `// synopsys parallel_case` directive)
- The `// synopsys translate_off` and `// synopsys translate_on` directives are also supported (but the use of ``ifdef .. `endif`` is strongly recommended instead).
- The `nomem2reg` attribute on modules or arrays prohibits the automatic early conversion of arrays to separate registers. This is potentially dangerous. Usually the front-end has good reasons for converting an array to a list of registers. Prohibiting this step will likely result in incorrect synthesis results.
- The `mem2reg` attribute on modules or arrays forces the early conversion of arrays to separate registers.
- The `nomeminit` attribute on modules or arrays prohibits the creation of initialized memories. This effectively puts `mem2reg` on all memories that are written to in an `initial` block and are not ROMs.
- The `nolatches` attribute on modules or always-blocks prohibits the generation of logic-loops for latches. Instead all not explicitly assigned values default to x-bits. This does not affect clocked storage elements such as flip-flops.
- The `nosync` attribute on registers prohibits the generation of a storage element. The register itself will always have all bits set to 'x' (undefined). The variable may only be used as blocking assigned temporary variable within an always block. This is mostly used internally by Yosys to synthesize Verilog functions and access arrays.

- The `nowrshmsk` attribute on a register prohibits the generation of shift-and-mask type circuits for writing to bit slices of that register.
- The `onehot` attribute on wires mark them as one-hot state register. This is used for example for memory port sharing and set by the `fsm_map` pass.
- The `blackbox` attribute on modules is used to mark empty stub modules that have the same ports as the real thing but do not contain information on the internal configuration. These modules are only used by the synthesis passes to identify input and output ports of cells. The Verilog backend also does not output blackbox modules on default. `read_verilog`, unless called with `-noblackbox` will automatically set the blackbox attribute on any empty module it reads.
- The `noblackbox` attribute set on an empty module prevents `read_verilog` from automatically setting the blackbox attribute on the module.
- The `whitebox` attribute on modules triggers the same behavior as `blackbox`, but is for whitebox modules, i.e. library modules that contain a behavioral model of the cell type.
- The `lib_whitebox` attribute overwrites `whitebox` when `read_verilog` is run in `-lib` mode. Otherwise it's automatically removed.
- The `dynports` attribute is used by the Verilog front-end to mark modules that have ports with a width that depends on a parameter.
- The `hdlname` attribute is used by some passes to document the original (HDL) name of a module when renaming a module. It should contain a single name, or, when describing a hierarchical name in a flattened design, multiple names separated by a single space character.
- The `keep` attribute on cells and wires is used to mark objects that should never be removed by the optimizer. This is used for example for cells that have hidden connections that are not part of the netlist, such as IO pads. Setting the `keep` attribute on a module has the same effect as setting it on all instances of the module.
- The `keep_hierarchy` attribute on cells and modules keeps the `flatten` command from flattening the indicated cells and modules.
- The `gate_cost_equivalent` attribute on a module can be used to specify the estimated cost of the module as a number of basic gate instances. See the help message of command `keep_hierarchy` which interprets this attribute.
- The `init` attribute on wires is set by the frontend when a register is initialized “FPGA-style” with `reg foo = val`. It can be used during synthesis to add the necessary reset logic.
- The `top` attribute on a module marks this module as the top of the design hierarchy. The `hierarchy` command sets this attribute when called with `-top`. Other commands, such as `flatten` and various backends use this attribute to determine the top module.
- The `src` attribute is set on cells and wires created by the string `<hdl-file-name>:<line-number>` by the HDL front-end and is then carried through the synthesis. When entities are combined, a new `|`-separated string is created that contains all the strings from the original entities.
- The `defaultvalue` attribute is used to store default values for module inputs. The attribute is attached to the input wire by the HDL front-end when the input is declared with a default value.
- The `parameter` and `localparam` attributes are used to mark wires that represent module parameters or localparams (when the HDL front-end is run in `-pwires` mode).
- Wires marked with the `hierconn` attribute are connected to wires with the same name (format `cell_name.identifier`) when they are imported from sub-modules by `flatten`.

- The `clkbuf_driver` attribute can be set on an output port of a blackbox module to mark it as a clock buffer output, and thus prevent `clkbufmap` from inserting another clock buffer on a net driven by such output.
- The `clkbuf_sink` attribute can be set on an input port of a module to request clock buffer insertion by the `clkbufmap` pass.
- The `clkbuf_inv` attribute can be set on an output port of a module with the value set to the name of an input port of that module. When the `clkbufmap` would otherwise insert a clock buffer on this output, it will instead try inserting the clock buffer on the input port (this is used to implement clock inverter cells that clock buffer insertion will “see through”).
- The `clkbuf_inhibit` is the default attribute to set on a wire to prevent automatic clock buffer insertion by `clkbufmap`. This behaviour can be overridden by providing a custom selection to `clkbufmap`.
- The `invertible_pin` attribute can be set on a port to mark it as invertible via a cell parameter. The name of the inversion parameter is specified as the value of this attribute. The value of the inversion parameter must be of the same width as the port, with 1 indicating an inverted bit and 0 indicating a non-inverted bit.
- The `iopad_external_pin` attribute on a blackbox module’s port marks it as the external-facing pin of an I/O pad, and prevents `iopadmap` from inserting another pad cell on it.
- The module attribute `abc9_lut` is an integer attribute indicating to `abc9` that this module describes a LUT with an area cost of this value, and propagation delays described using `specify` statements.
- The module attribute `abc9_box` is a boolean specifying a black/white-box definition, with propagation delays described using `specify` statements, for use by `abc9`.
- The port attribute `abc9_carry` marks the carry-in (if an input port) and carry-out (if output port) ports of a box. This information is necessary for `abc9` to preserve the integrity of carry-chains. Specifying this attribute onto a bus port will affect only its most significant bit.
- The module attribute `abc9_flop` is a boolean marking the module as a flip-flop. This allows `abc9` to analyse its contents in order to perform sequential synthesis.
- The frontend sets attributes `always_comb`, `always_latch` and `always_ff` on processes derived from SystemVerilog style always blocks according to the type of the always. These are checked for correctness in `proc_dlatch`.
- The cell attribute `wildcard_port_conns` represents wildcard port connections (SystemVerilog `.*`). These are resolved to concrete connections to matching wires in `hierarchy`.
- In addition to the `(* ... *)` attribute syntax, Yosys supports the non-standard `{* ... *}` attribute syntax to set default attributes for everything that comes after the `{* ... *}` statement. (Reset by adding an empty `{* *}` statement.)
- In module parameter and port declarations, and cell port and parameter lists, a trailing comma is ignored. This simplifies writing Verilog code generators a bit in some cases.
- Modules can be declared with `module mod_name(...)`; (with three dots instead of a list of module ports). With this syntax it is sufficient to simply declare a module port as ‘input’ or ‘output’ in the module body.
- When defining a macro with `\`define`, all text between triple double quotes is interpreted as macro body, even if it contains unescaped newlines. The triple double quotes are removed from the macro body. For example:

```
\`define MY_MACRO(a, b) """
    assign a = 23;
```

(continues on next page)

(continued from previous page)

```
assign b = 42;
"""
```

- The attribute `via_celltype` can be used to implement a Verilog task or function by instantiating the specified cell type. The value is the name of the cell type to use. For functions the name of the output port can be specified by appending it to the cell type separated by a whitespace. The body of the task or function is unused in this case and can be used to specify a behavioral model of the cell type for simulation. For example:

```
module my_add3(A, B, C, Y);
  parameter WIDTH = 8;
  input [WIDTH-1:0] A, B, C;
  output [WIDTH-1:0] Y;
  ...
endmodule

module top;
  ...
  (* via_celltype = "my_add3 Y" *)
  (* via_celltype_defparam_WIDTH = 32 *)
  function [31:0] add3;
    input [31:0] A, B, C;
    begin
      add3 = A + B + C;
    end
  endfunction
  ...
endmodule
```

- The `wiretype` attribute is added by the verilog parser for wires of a typedef'd type to indicate the type identifier.
- Various `enum_value_{value}` attributes are added to wires of an enumerated type to give a map of possible enum items to their values.
- The `enum_base_type` attribute is added to enum items to indicate which enum they belong to (enums – anonymous and otherwise – are automatically named with an auto-incrementing counter). Note that enums are currently not strongly typed.
- A limited subset of DPI-C functions is supported. The plugin mechanism (see `help plugin`) can be used to load `.so` files with implementations of DPI-C routines. As a non-standard extension it is possible to specify a plugin alias using the `<alias>` syntax. For example:

```
module dpitest;
  import "DPI-C" function foo:round = real my_round (real);
  parameter real r = my_round(12.345);
endmodule
```

```
$ yosys -p 'plugin -a foo -i /lib/libm.so; read_verilog dpitest.v'
```

- Sized constants (the syntax `<size>'s?[bodh]<value>`) support constant expressions as `<size>`. If the expression is not a simple identifier, it must be put in parentheses. Examples: `WIDTH'd42`, `(4+2)'b101010`
- The system tasks `$finish`, `$stop` and `$display` are supported in initial blocks in an unconditional

context (only if/case statements on expressions over parameters and constant values are allowed). The intended use for this is synthesis-time DRC.

- There is limited support for converting `specify .. endspecify` statements to special `$specify2`, `$specify3`, and `$specrule` cells, for use in blackboxes and whiteboxes. Use `read_verilog -specify` to enable this functionality. (By default these blocks are ignored.)
- The `reprocess_after` internal attribute is used by the Verilog frontend to mark cells with bindings which might depend on the specified instantiated module. Modules with such cells will be reprocessed during the *hierarchy* pass once the referenced module definition(s) become available.
- The `smtlib2_module` attribute can be set on a blackbox module to specify a formal model directly using SMT-LIB 2. For such a module, the `smtlib2_comb_expr` attribute can be used on output ports to define their value using an SMT-LIB 2 expression. For example:

```
(* blackbox *)
(* smtlib2_module *)
module submod(a, b);
  input [7:0] a;
  (* smtlib2_comb_expr = "(bvnot a)" *)
  output [7:0] b;
endmodule
```

### 3.4.3 Non-standard or SystemVerilog features for formal verification

- Support for `assert`, `assume`, `restrict`, and `cover` is enabled when `read_verilog` is called with `-formal`.
- The system task `$initstate` evaluates to 1 in the initial state and to 0 otherwise.
- The system function `$anyconst` evaluates to any constant value. This is equivalent to declaring a reg as `rand const`, but also works outside of checkers. (Yosys also supports `rand const` outside checkers.)
- The system function `$anyseq` evaluates to any value, possibly a different value in each cycle. This is equivalent to declaring a reg as `rand`, but also works outside of checkers. (Yosys also supports `rand` variables outside checkers.)
- The system functions `$allconst` and `$allseq` can be used to construct formal exist-forall problems. Assumptions only hold if the trace satisfies the assumption for all `$allconst/$allseq` values. For assertions and cover statements it is sufficient if just one `$allconst/$allseq` value triggers the property (similar to `$anyconst/$anyseq`).
- Wires/registers declared using the `anyconst/anyseq/allconst/allseq` attribute (for example `(* anyconst *) reg [7:0] foobar;`) will behave as if driven by a `$anyconst/$anyseq/$allconst/$allseq` function.
- The SystemVerilog tasks `$past`, `$stable`, `$rose` and `$fell` are supported in any clocked block.
- The syntax `@($global_clock)` can be used to create FFs that have no explicit clock input (`$ff` cells). The same can be achieved by using `@(posedge <netname>)` or `@(negedge <netname>)` when `<netname>` is marked with the `(* gclk *)` Verilog attribute.

### 3.4.4 Supported features from SystemVerilog

When `read_verilog` is called with `-sv`, it accepts some language features from SystemVerilog:

- The `assert` statement from SystemVerilog is supported in its most basic form. In module context: `assert property (<expression>);` and within an always block: `assert(<expression>);`. It is transformed to an `$assert` cell.

- The `assume`, `restrict`, and `cover` statements from SystemVerilog are also supported. The same limitations as with the `assert` statement apply.
- The keywords `always_comb`, `always_ff` and `always_latch`, `logic` and `bit` are supported.
- Declaring free variables with `rand` and `rand const` is supported.
- Checkers without a port list that do not need to be instantiated (but instead behave like a named block) are supported.
- SystemVerilog packages are supported. Once a SystemVerilog file is read into a design with `read_verilog`, all its packages are available to SystemVerilog files being read into the same design afterwards.
  - nested packages are currently not supported (i.e. calling `import` inside a `package .. endpackage` block)
- typedefs are supported (including inside packages)
  - type casts are currently not supported
- enums are supported (including inside packages)
  - but are currently not strongly typed
- packed structs and unions are supported
  - arrays of packed structs/unions are currently not supported
  - structure literals are currently not supported
- multidimensional arrays are supported
  - array assignment of unpacked arrays is currently not supported
  - array literals are currently not supported
- SystemVerilog interfaces (SVIs), including modports for specifying whether ports are inputs or outputs, are partially supported.
  - interfaces must be provided as *named* arguments, not positional arguments. i.e. `foo bar(. intf(intf0), .x(x));` is supported but `foo bar(intf0, x);` is not.
- Assignments within expressions are supported.
- The `unique`, `unique0`, and `priority` SystemVerilog keywords are supported on `if` and `case` conditionals. (The Verilog frontend will process conditionals using these keywords by annotating their representation with the appropriate `full_case` and/or `parallel_case` attributes, which are described above.)
- SystemVerilog string literals are supported (triple-quoted strings and escape sequences such as line continuations and hex escapes).

## 3.5 Scripting with Pyosys

Pyosys is a limited subset of the Yosys C++ API (aka “libyosys”) made available using the Python programming language.

Like `.ys` and `.tcl` scripts, Pyosys provides an interface to write Yosys scripts in the Python programming language, giving you the benefits of a type system, control flow, object-oriented programming, and more; especially that the other options lack a type system and control flow/OOP in Tcl is limited.

Though unlike these two, Pyosys goes a bit further, allowing you to use the Yosys API to implement advanced functionality that would otherwise require custom passes written in C++.

### 3.5.1 Getting Pyosys

Pyosys supports CPython 3.8 or higher. You can access Pyosys using one of two methods:

1. Compiling Yosys with the Makefile flag `ENABLE_PYOSYS=1`

This adds the flag `-y` to the Yosys binary, which allows you to execute Python scripts using an interpreter embedded in Yosys itself:

```
yosys -y ./my_pyosys_script.py
```

Do note this requires some build-time dependencies to be available to Python, namely, `pybind11` and `cxxheaderparser`. By default, the required `uv` package will be used to create an ephemeral environment with the correct versions of the tools installed.

You can force use of your current Python environment by passing the Makefile flag `PYOSYS_USE_UV=0`.

2. Installing the Pyosys wheels

On macOS and GNU/Linux you can install pre-built wheels of Yosys using `pip`:

```
python3 -m pip install pyosys
```

Which then allows you to run your scripts as follows:

```
python3 ./my_pyosys_script.py
```

### 3.5.2 Scripting and Database Inspection

To start with, you have to import `libyosys` as follows:

```
from pyosys import libyosys
```

As a reminder, Python allows you to alias imported modules and objects, so this import may be preferable for terseness:

```
from pyosys import libyosys as ys
```

Now, scripting is actually quite similar to `.ys` and `.tcl` script in that you can provide mostly text commands. Albeit, you can construct your scripts to use Python's amenities like conditional execution, loops, and functions:

```
do_flatten = True

ys.run_pass("read_verilog tests/simple/fiedler-cooley.v")
ys.run_pass("hierarchy -check -auto-top")
if do_flatten:
    ys.run_pass("flatten")
```

...but this does not strictly provide anything that Tcl scripts do not provide you with. The real power of using Pyosys comes from the fact you can manually instantiate, manage, and interact with the design database.

As an example, here is the same script with a manually instantiated design.

```
design = ys.Design()

ys.run_pass("read_verilog tests/simple/fiedler-cooley.v", design)
ys.run_pass("hierarchy -check -auto-top", design)
```

What's new here is that you can manually inspect the design's database. This gives you access to a huge chunk of the design database API as declared in the `kernel/rtlil.h` header.

For example, here's how to list the input and output ports of the top module of your design:

```
top_module = design.top_module()

for id, wire in top_module.wires_.items():
    if not wire.port_input and not wire.port_output:
        continue
    description = "input" if wire.port_input else "output"
    description += " " + wire.name.str()
    if wire.width != 1:
        frm = wire.start_offset
        to = wire.start_offset + wire.width
        if wire.upto:
            to, frm = frm, to
        description += f" [{to}:{frm}]"
    print(description)
```

#### Tip

C++ data structures in Yosys are bridged to Python such that they have a pretty similar API to Python objects, for example:

- `std::vector` supports the same methods as `iterables` in Python.
- `std::set` and `hashlib pool` support the same methods as `sets` in Python. While `set` is ordered, `pool` is not and modifications may cause a complete reordering of the set.
- `dict` supports the same methods as `dicts` in Python, albeit it is unordered, and modifications may cause a complete reordering of the dictionary.
- `idict` uses a custom set of methods because it doesn't map very cleanly to an existing Python data structure. See `pyosys/hashlib.h` for more info.

For most operations, the Python equivalents are also supported as arguments where they will automatically be cast to the right type, so you do not have to manually instantiate the right underlying C++ object(s) yourself.

### 3.5.3 Modifying the Database

#### Warning

Any modifications to the database may invalidate previous references held by Python, just as if you were writing C++. Pyosys does not currently attempt to keep deleted objects alive if a reference is held by Python.

You are not restricted to inspecting the database either: you have the ability to modify it, and introduce new elements and/or changes to your design.

As a demonstrative example, let's assume we want to add an enable line to all flip-flops in our fiedler-cooley design.

First of all, we will run `synth` to convert all of the logic to Yosys's internal cell structure (see *Gate-level cells*):

```
ys.run_pass("synth", design)
```

Next, we need to add the new port. The method for this is `Module::addWire`.

#### Tip

`IdString` is Yosys's internal representation of strings used as identifiers within Verilog designs. They are efficient as only integers are stored and passed around, but they can be translated to and from normal strings at will.

Pyosys will automatically cast Python strings to `IdStrings` for you, but the rules around `IdStrings` apply, namely that *broadly*:

- Identifiers for internal cells must start with `$`.
- All other identifiers must start with `\`.

```
enable_line = top_module.addWire("\\enable")
enable_line.port_input = True
top_module.fixup_ports()
```

Notice how we modified the wire then called a method to make Yosys re-process the ports.

Next, we can iterate over all constituent cells, and if they are of the type `$_DFF_P_`, we do two things:

1. Change their type to `$_DFFE_PP_` to enable hooking up an enable signal.
2. Hooking up the enable signal.

```
for cell in top_module.cells_.values():
    if cell.type != "$_DFF_P_":
        continue
    cell.type = "$_DFFE_PP_"
    cell.setPort("\\E", ys.SigSpec(enable_line))
```

To verify that you did everything correctly, it is prudent to call `.check()` on the module you're manipulating as follows after you're done with a set of changes:

```
top_module.check()
ys.run_pass("stat", design)
```

And then finally, write your outputs. Here, I choose an intermediate Verilog file and `synth_ice40` to map it to the `ice40` architecture.

```
ys.run_pass("write_verilog out.v", design)
ys.run_pass("synth_ice40 -json out.json", design)
```

And voilà, you will note that in the intermediate output, all `always @` statements should have an `if (enable)`.

### 3.5.4 Encapsulating as Passes

Just like when writing C++, you can encapsulate routines in terms of “passes”, which adds your Pass to a global registry of commands accessible using `run_pass`.

```
from pyosys import libyosys as ys

class AllEnablePass(ys.Pass):
    def __init__(self):
        super().__init__(
            "all_enable",
            "makes all _DFF_P_ registers require an enable signal"
        )

    def execute(self, args, design):
        ys.log_header(design, "Adding enable signals\n")
        ys.log_push()
        top_module = design.top_module()

        if "\\enable" not in top_module.wires_:
            enable_line = top_module.addWire("\\enable")
            enable_line.port_input = True
            top_module.fixup_ports()

        for cell in top_module.cells_.values():
            if cell.type != "$_DFF_P_":
                continue
            cell.type = "$_DFFE_PP_"
            cell.setPort("\\E", ys.SigSpec(enable_line))
        ys.log_pop()

p = AllEnablePass() # register the pass

# using the pass


design = ys.Design()
ys.run_pass("read_verilog tests/simple/fiedler-cooley.v", design)
ys.run_pass("hierarchy -check -auto-top", design)
ys.run_pass("synth", design)
ys.run_pass("all_enable", design)
ys.run_pass("write_verilog out.v", design)
ys.run_pass("synth_ice40 -json out.json", design)
```

In general, abstract classes and virtual methods are not really supported by Pyosys due to their complexity, but there are two exceptions which are:

- Pass in `kernel/register.h`

- Monitor in kernel/rtlil.h


## YOSYS INTERNALS

 **Todo**

less academic

Yosys is an extensible open source hardware synthesis tool. It is aimed at designers who are looking for an easily accessible, universal, and vendor-independent synthesis tool, as well as scientists who do research in electronic design automation (EDA) and are looking for an open synthesis framework that can be used to test algorithms on complex real-world designs.

Yosys can synthesize a large subset of Verilog 2005 and has been tested with a wide range of real-world designs, including the [OpenRISC 1200 CPU](#), the [openMSP430 CPU](#), the [OpenCores I2C master](#), and the [k68 CPU](#).

 **Todo**

add RISC-V core example

Yosys is written in C++, targeting C++20 at minimum. This chapter describes some of the fundamental Yosys data structures. For the sake of simplicity the C++ type names used in the Yosys implementation are used in this chapter, even though the chapter only explains the conceptual idea behind it and can be used as reference to implement a similar system in any language.

### 4.1 Internal flow

A (usually short) synthesis script controls Yosys.

These scripts contain three types of commands:

- **Frontends**, that read input files (usually Verilog);
- **Passes**, that perform transformations on the design in memory;
- **Backends**, that write the design in memory to a file (various formats are available: Verilog, BLIF, EDIF, SPICE, BTOR, ...).

#### 4.1.1 Flow overview

**✎ Todo**

less academic

Figure 4.1 shows the simplified data flow within Yosys. Rectangles in the figure represent program modules and ellipses internal data structures that are used to exchange design data between the program modules.

Design data is read in using one of the frontend modules. The high-level HDL frontends for Verilog and VHDL code generate an abstract syntax tree (AST) that is then passed to the AST frontend. Note that both HDL frontends use the same AST representation that is powerful enough to cover the Verilog HDL and VHDL language.

The AST Frontend then compiles the AST to Yosys’s main internal data format, the RTL Intermediate Language (RTLIL). A more detailed description of this format is given in *The RTL Intermediate Language (RTLIL)*.

There is also a text representation of the RTLIL data structure that can be parsed using the RTLIL Frontend which is described in *RTLIL text representation*.

The design data may then be transformed using a series of passes that all operate on the RTLIL representation of the design.

Finally the design in RTLIL representation is converted back to text by one of the backends, namely the Verilog Backend for generating Verilog netlists and the RTLIL Backend for writing the RTLIL data in the same format that is understood by the RTLIL Frontend.

With the exception of the AST Frontend, which is called by the high-level HDL frontends and can’t be called directly by the user, all program modules are called by the user (usually using a synthesis script that contains text commands for Yosys).

By combining passes in different ways and/or adding additional passes to Yosys it is possible to adapt Yosys to a wide range of applications. For this to be possible it is key that (1) all passes operate on the same data structure (RTLIL) and (2) that this data structure is powerful enough to represent the design in different stages of the synthesis.

### 4.1.2 Control and data flow

**✎ Todo**

less academic

The data- and control-flow of a typical synthesis tool is very similar to the data- and control-flow of a typical compiler: different subsystems are called in a predetermined order, each consuming the data generated by the last subsystem and generating the data for the next subsystem (see Fig. 4.2).

The first subsystem to be called is usually called a frontend. It does not process the data generated by another subsystem but instead reads the user input—in the case of a HDL synthesis tool, the behavioural HDL code.

The subsystems that consume data from previous subsystems and produce data for the next subsystems (usually in the same or a similar format) are called passes.

The last subsystem that is executed transforms the data generated by the last pass into a suitable output format and writes it to a disk file. This subsystem is usually called the backend.

In Yosys all frontends, passes and backends are directly available as commands in the synthesis script. Thus the user can easily create a custom synthesis flow just by calling passes in the right order in a synthesis

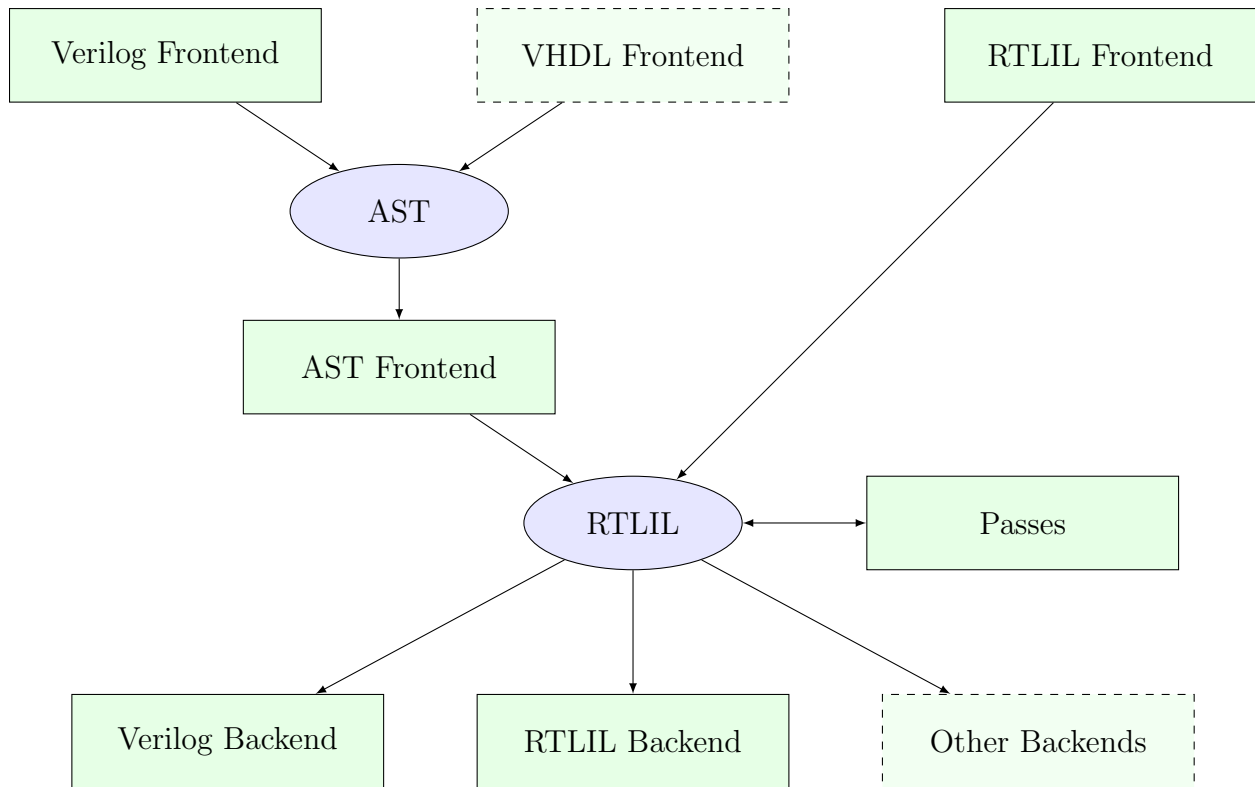


Fig. 4.1: Yosys simplified data flow (ellipses: data structures, rectangles: program modules)

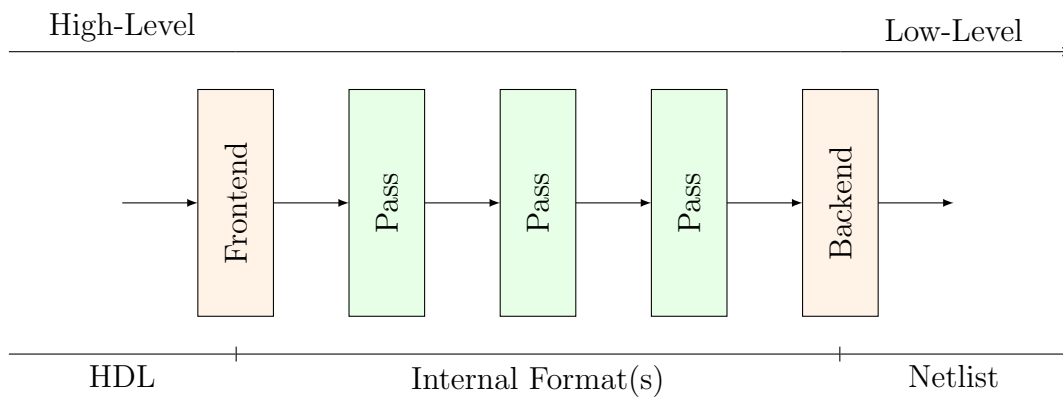


Fig. 4.2: General data- and control-flow of a synthesis tool

script.

### 4.1.3 The Verilog and AST frontends

This chapter provides an overview of the implementation of the Yosys Verilog and AST frontends. The Verilog frontend reads Verilog-2005 code and creates an abstract syntax tree (AST) representation of the input. This AST representation is then passed to the AST frontend that converts it to RTLIL data, as illustrated in Fig. 4.3.

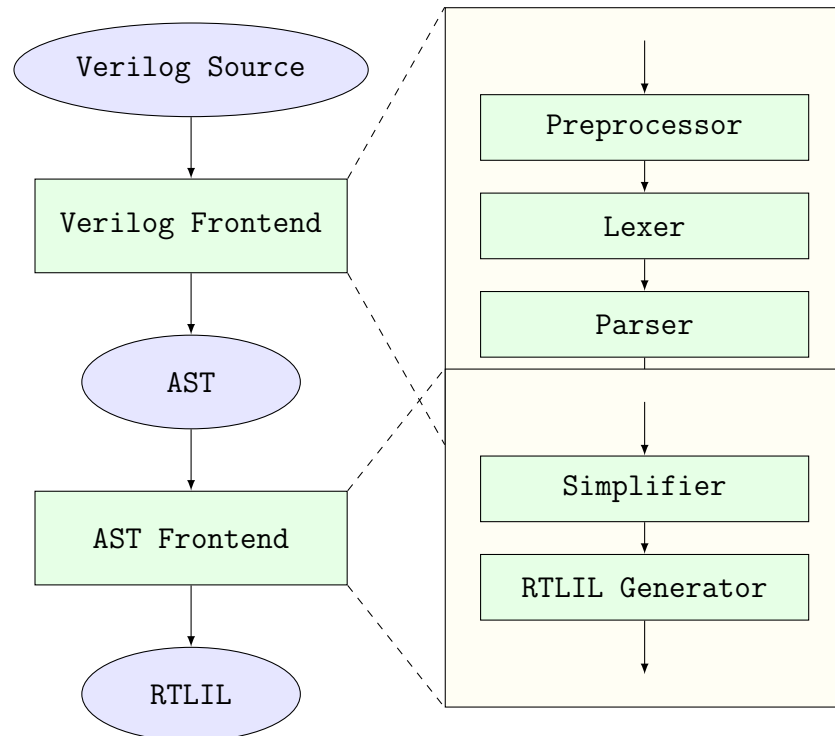


Fig. 4.3: Simplified Verilog to RTLIL data flow

#### Transforming Verilog to AST

The Verilog frontend converts the Verilog sources to an internal AST representation that closely resembles the structure of the original Verilog code. The Verilog frontend consists of three components, the Preprocessor, the Lexer and the Parser.

The source code to the Verilog frontend can be found in `frontends/verilog/` in the Yosys source tree.

#### The Verilog preprocessor

The Verilog preprocessor scans over the Verilog source code and interprets some of the Verilog compiler directives such as ``include`, ``define` and ``ifdef`.

It is implemented as a C++ function that is passed a file descriptor as input and returns the pre-processed Verilog code as a `std::string`.

The source code to the Verilog Preprocessor can be found in `frontends/verilog/preproc.cc` in the Yosys source tree.

## The Verilog lexer

The Verilog Lexer is written using the lexer generator flex. Its source code can be found in `frontends/verilog/verilog_lexer.l` in the Yosys source tree. The lexer does little more than identifying all keywords and literals recognised by the Yosys Verilog frontend.

The lexer keeps track of the current location in the Verilog source code with a `VerilogLexer::out_loc` and uses it to construct parser-defined symbol objects.

Finally the lexer identifies and handles special comments such as “`// synopsys translate_off`” and “`// synopsys full_case`”. (It is recommended to use ``ifdef` constructs instead of the Synopsys `translate_on/off` comments and attributes such as `(* full_case *)` over “`// synopsys full_case`” whenever possible.)

## The Verilog parser

The Verilog Parser is written using the parser generator bison. Its source code can be found in `frontends/verilog/verilog_parser.y` in the Yosys source tree.

It generates an AST using the `AST::AstNode` data structure defined in `frontends/ast/ast.h`. An `AST::AstNode` object has the following properties:

Table 4.1: AST node types with their corresponding Verilog constructs.

AST Node Type	Corresponding Verilog Construct
<code>AST_NONE</code>	This Node type should never be used.
<code>AST_DESIGN</code>	This node type is used for the top node of the AST tree. It has no corresponding Verilog construct.
<code>AST_MODULE</code> , <code>AST_TASK</code> , <code>AST_FUNCTION</code>	<code>module</code> , <code>task</code> and <code>function</code>
<code>AST_WIRE</code>	<code>input</code> , <code>output</code> , <code>wire</code> , <code>reg</code> and <code>integer</code>
<code>AST_MEMORY</code>	Verilog Arrays
<code>AST_AUTOWIRE</code>	Created by the simplifier when an undeclared signal name is used.
<code>AST_PARAMETER</code> , <code>AST_LOCALPARAM</code>	<code>parameter</code> and <code>localparam</code>
<code>AST_PARASET</code>	Parameter set in cell instantiation
<code>AST_ARGUMENT</code>	Port connection in cell instantiation
<code>AST_RANGE</code>	Bit-Index in a signal or element index in array
<code>AST_CONSTANT</code>	A literal value
<code>AST_CELLTYPE</code>	The type of cell in cell instantiation
<code>AST_IDENTIFIER</code>	An Identifier (signal name in expression or cell/task/etc. name in other contexts)
<code>AST_PREFIX</code>	Construct an identifier in the form <code>&lt;prefix&gt;[&lt;index&gt;].&lt;suffix&gt;</code> (used only in advanced generate constructs)
<code>AST_FCALL</code> , <code>AST_TCALL</code>	Call to function or task
<code>AST_TO_SIGNED</code> , <code>AST_TO_UNSIGNED</code>	The <code>\$signed()</code> and <code>\$unsigned()</code> functions
<code>AST_CONCAT</code> , <code>AST_REPLICATE</code>	The <code>{...}</code> and <code>{...{...}}</code> operators
<code>AST_BIT_NOT</code> , <code>AST_BIT_AND</code> , <code>AST_BIT_OR</code> , <code>AST_BIT_XOR</code> , <code>AST_BIT_XNOR</code>	The bitwise operators <code>~</code> , <code>&amp;</code> , <code> </code> , <code>^</code> and <code>~^</code>
<code>AST_REDUCE_AND</code> , <code>AST_REDUCE_OR</code> , <code>AST_REDUCE_XOR</code> , <code>AST_REDUCE_XNOR</code>	The unary reduction operators <code>~</code> , <code>&amp;</code> , <code> </code> , <code>^</code> and <code>~^</code>
<code>AST_REDUCE_BOOL</code>	Conversion from multi-bit value to boolean value (equivalent to <code>AST_REDUCE_OR</code> )

continues on next page

Table 4.1 – continued from previous page

AST_SHIFT_LEFT, AST_SHIFT_RIGHT, AST_SHIFT_SLEFT, AST_SHIFT_SRIGHT	The shift operators <<, >>, <<< and >>>
AST_LT, AST_LE, AST_EQ, AST_NE, AST_GE, AST_GT	The relational operators <, <=, ==, !=, >= and >
AST_ADD, AST_SUB, AST_MUL, AST_DIV, AST_MOD, AST_POW	The binary operators +, -, *, /, % and **
AST_POS, AST_NEG	The prefix operators + and -
AST_LOGIC_AND, AST_LOGIC_OR, AST_LOGIC_NOT	The logic operators &&,    and !
AST_TERNARY	The ternary ?:-operator
AST_MEMRD AST_MEMWR	Read and write memories. These nodes are generated by the AST simplifier for writes/reads to/from Verilog arrays.
AST_ASSIGN	An <code>assign</code> statement
AST_CELL	A cell instantiation
AST_PRIMITIVE	A primitive cell ( <code>and</code> , <code>nand</code> , <code>or</code> , etc.)
AST_ALWAYS, AST_INITIAL	Verilog <code>always</code> - and <code>initial</code> -blocks
AST_BLOCK	A <code>begin-end</code> -block
AST_ASSIGN_EQ. AST_ASSIGN_LE	Blocking (=) and nonblocking (<=) assignments within an <code>always</code> - or <code>initial</code> -block
AST_CASE. AST_COND, AST_DEFAULT	The <code>case</code> ( <code>if</code> ) statements, conditions within a case and the default case respectively
AST_FOR	A <code>for</code> -loop with an <code>always</code> - or <code>initial</code> -block
AST_GENVAR, AST_GENBLOCK, AST_GENFOR, AST_GENIF	The <code>genvar</code> and <code>generate</code> keywords and <code>for</code> and <code>if</code> within a generate block.
AST_POSEDGE, AST_NEGEDGE, AST_EDGE	Event conditions for <code>always</code> blocks.

- The node type  
This enum (`AST::AstNodeType`) specifies the role of the node. [Table 4.1](#) contains a list of all node types.
- The child nodes  
This is a list of pointers to all children in the abstract syntax tree.
- Attributes  
As almost every AST node might have Verilog attributes assigned to it, the `AST::AstNode` has direct support for attributes. Note that the attribute values are again AST nodes.
- Node content  
Each node might have additional content data. A series of member variables exist to hold such data. For example the member `std::string str` can hold a string value and is used e.g. in the `AST_IDENTIFIER` node type to store the identifier name.
- Source code location  
Each `AST::AstNode` is automatically annotated with the current source code location by the `AST::AstNode` constructor. The `location` type is a manual reimplement of the bison-provided location type. This type is defined at `frontends/verilog/verilog_location.h`.

The `AST::AstNode` constructor can be called with up to 4 child nodes. This simplifies the creation of AST nodes for simple expressions a bit. For example the bison code for parsing multiplications:

```

1 basic_expr TOK_ASTER attr basic_expr {
2   $$ = std::make_unique<AstNode>(AST_MUL, std::move($1), std::move($4));

```

(continues on next page)

(continued from previous page)

```

3  SET_AST_NODE_LOC($$.get(), @1, @4);
4  append_attr($$.get(), $3);
5  } |

```

The generated AST data structure is then passed directly to the AST frontend that performs the actual conversion to RTLIL.

Note that the Yosys command `read_verilog` provides the options `-yydebug` and `-dump_ast` that can be used to print the parse tree or abstract syntax tree respectively.

## Transforming AST to RTLIL

The AST frontend converts a set of modules in AST representation to modules in RTLIL representation and adds them to the current design. This is done in two steps: simplification and RTLIL generation.

The source code to the AST frontend can be found in `frontends/ast/` in the Yosys source tree.

### AST simplification

A full-featured AST is too complex to be transformed into RTLIL directly. Therefore it must first be brought into a simpler form. This is done by calling the `AST::AstNode::simplify()` method of all `AST_MODULE` nodes in the AST. This initiates a recursive process that performs the following transformations on the AST data structure:

- Inline all task and function calls.
- Evaluate all `generate`-statements and unroll all `for`-loops.
- Perform const folding where it is necessary (e.g. in the value part of `AST_PARAMETER`, `AST_LOCALPARAM`, `AST_PARASET` and `AST_RANGE` nodes).
- Replace `AST_PRIMITIVE` nodes with appropriate `AST_ASSIGN` nodes.
- Replace dynamic bit ranges in the left-hand-side of assignments with `AST_CASE` nodes with `AST_COND` children for each possible case.
- Detect array access patterns that are too complicated for the `RTLIL::Memory` abstraction and replace them with a set of signals and cases for all reads and/or writes.
- Otherwise replace array accesses with `AST_MEMRD` and `AST_MEMWR` nodes.

In addition to these transformations, the simplifier also annotates the AST with additional information that is needed for the RTLIL generator, namely:

- All ranges (width of signals and bit selections) are not only const folded but (when a constant value is found) are also written to member variables in the `AST_RANGE` node.
- All identifiers are resolved and all `AST_IDENTIFIER` nodes are annotated with a pointer to the AST node that contains the declaration of the identifier. If no declaration has been found, an `AST_AUTOWIRE` node is created and used for the annotation.

This produces an AST that is fairly easy to convert to the RTLIL format.

### Generating RTLIL

After AST simplification, the `AST::AstNode::genRTLIL()` method of each `AST_MODULE` node in the AST is called. This initiates a recursive process that generates equivalent RTLIL data for the AST data.

The `AST::AstNode::genRTLIL()` method returns an `RTLIL::SigSpec` structure. For nodes that represent expressions (operators, constants, signals, etc.), the cells needed to implement the calculation described by

the expression are created and the resulting signal is returned. That way it is easy to generate the circuits for large expressions using depth-first recursion. For nodes that do not represent an expression (such as `AST_CELL`), the corresponding circuit is generated and an empty `RTLIL::SigSpec` is returned.

### Synthesizing Verilog always blocks

For behavioural Verilog code (code utilizing `always`- and `initial`-blocks) it is necessary to also generate `RTLIL::Process` objects. This is done in the following way:

Whenever `AST::AstNode::genRTLIL()` encounters an `always`- or `initial`-block, it creates an instance of `AST_INTERNAL::ProcessGenerator`. This object then generates the `RTLIL::Process` object for the block. It also calls `AST::AstNode::genRTLIL()` for all right-hand-side expressions contained within the block.

First the `AST_INTERNAL::ProcessGenerator` creates a list of all signals assigned within the block. It then creates a set of temporary signals using the naming scheme `$ <number> \ <original_name>` for each of the assigned signals.

Then an `RTLIL::Process` is created that assigns all intermediate values for each left-hand-side signal to the temporary signal in its `RTLIL::CaseRule/RTLIL::SwitchRule` tree.

Finally a `RTLIL::SyncRule` is created for the `RTLIL::Process` that assigns the temporary signals for the final values to the actual signals.

A process may also contain memory writes. A `RTLIL::MemWriteAction` is created for each of them.

Calls to `AST::AstNode::genRTLIL()` are generated for right hand sides as needed. When blocking assignments are used, `AST::AstNode::genRTLIL()` is configured using global variables to use the temporary signals that hold the correct intermediate values whenever one of the previously assigned signals is used in an expression.

Unfortunately the generation of a correct `RTLIL::CaseRule/RTLIL::SwitchRule` tree for behavioural code is a non-trivial task. The AST frontend solves the problem using the approach described on the following pages. The following example illustrates what the algorithm is supposed to do. Consider the following Verilog code:

```

1  always @(posedge clock) begin
2      out1 = in1;
3      if (in2)
4          out1 = !out1;
5      out2 <= out1;
6      if (in3)
7          out2 <= out2;
8      if (in4)
9          if (in5)
10             out3 <= in6;
11             else
12                 out3 <= in7;
13      out1 = out1 ^ out2;
14  end

```

This is translated by the Verilog and AST frontends into the following RTLIL code (attributes, cell parameters and wire declarations not included):

```

1  cell $logic_not $logic_not$<input>:4$2
2      connect \A \in1
3      connect \Y $logic_not$<input>:4$2_Y
4  end

```

(continues on next page)

(continued from previous page)

```

5  cell $xor $xor$<input>:13$3
6  connect \A $1\out1[0:0]
7  connect \B \out2
8  connect \Y $xor$<input>:13$3_Y
9  end
10 process $proc$<input>:1$1
11  assign $0\out3[0:0] \out3
12  assign $0\out2[0:0] $1\out1[0:0]
13  assign $0\out1[0:0] $xor$<input>:13$3_Y
14  switch \in2
15  case 1'1
16  assign $1\out1[0:0] $logic_not$<input>:4$2_Y
17  case
18  assign $1\out1[0:0] \in1
19  end
20  switch \in3
21  case 1'1
22  assign $0\out2[0:0] \out2
23  case
24  end
25  switch \in4
26  case 1'1
27  switch \in5
28  case 1'1
29  assign $0\out3[0:0] \in6
30  case
31  assign $0\out3[0:0] \in7
32  end
33  case
34  end
35  sync posedge \clock
36  update \out1 $0\out1[0:0]
37  update \out2 $0\out2[0:0]
38  update \out3 $0\out3[0:0]
39  end

```

Note that the two operators are translated into separate cells outside the generated process. The signal `out1` is assigned using blocking assignments and therefore `out1` has been replaced with a different signal in all expressions after the initial assignment. The signal `out2` is assigned using nonblocking assignments and therefore is not substituted on the right-hand-side expressions.

The `RTLIL::CaseRule/RTLIL::SwitchRule` tree must be interpreted the following way:

- On each case level (the body of the process is the root case), first the actions on this level are evaluated and then the switches within the case are evaluated. (Note that the last assignment on line 13 of the Verilog code has been moved to the beginning of the RTLIL process to line 13 of the RTLIL listing.)

I.e. the special cases deeper in the switch hierarchy override the defaults on the upper levels. The assignments in lines 12 and 22 of the RTLIL code serve as an example for this.

Note that in contrast to this, the order within the `RTLIL::SwitchRule` objects within a `RTLIL::CaseRule` is preserved with respect to the original AST and Verilog code.

- The whole `RTLIL::CaseRule/RTLIL::SwitchRule` tree describes an asynchronous circuit. I.e. the decision tree formed by the switches can be seen independently for each assigned signal. Whenever one

assigned signal changes, all signals that depend on the changed signals are to be updated. For example the assignments in lines 16 and 18 in the RTLIL code in fact influence the assignment in line 12, even though they are in the “wrong order”.

The only synchronous part of the process is in the `RTLIL::SyncRule` object generated at line 35 in the RTLIL code. The sync rule is the only part of the process where the original signals are assigned. The synchronization event from the original Verilog code has been translated into the synchronization type (`posedge`) and signal (`\clock`) for the `RTLIL::SyncRule` object. In the case of this simple example the `RTLIL::SyncRule` object is later simply transformed into a set of d-type flip-flops and the `RTLIL::CaseRule/RTLIL::SwitchRule` tree to a decision tree using multiplexers.

In more complex examples (e.g. asynchronous resets) the part of the `RTLIL::CaseRule/RTLIL::SwitchRule` tree that describes the asynchronous reset must first be transformed to the correct `RTLIL::SyncRule` objects. This is done by the `proc_arst` pass.

### The ProcessGenerator algorithm

The `AST_INTERNAL::ProcessGenerator` uses the following internal state variables:

- `subst_rvalue_from` and `subst_rvalue_to`  
These two variables hold the replacement pattern that should be used by `AST::AstNode::genRTLIL()` for signals with blocking assignments. After initialization of `AST_INTERNAL::ProcessGenerator` these two variables are empty.
- `subst_lvalue_from` and `subst_lvalue_to`  
These two variables contain the mapping from left-hand-side signals (`\ <name>`) to the current temporary signal for the same thing (initially `$0\ <name>`).
- `current_case`  
A pointer to a `RTLIL::CaseRule` object. Initially this is the root case of the generated `RTLIL::Process`.

As the algorithm runs these variables are continuously modified as well as pushed to the stack and later restored to their earlier values by popping from the stack.

On startup the `ProcessGenerator` generates a new `RTLIL::Process` object with an empty root case and initializes its state variables as described above. Then the `RTLIL::SyncRule` objects are created using the synchronization events from the `AST_ALWAYS` node and the initial values of `subst_lvalue_from` and `subst_lvalue_to`. Then the AST for this process is evaluated recursively.

During this recursive evaluation, three different relevant types of AST nodes can be discovered: `AST_ASSIGN_LE` (nonblocking assignments), `AST_ASSIGN_EQ` (blocking assignments) and `AST_CASE` (if or case statement).

### Handling of nonblocking assignments

When an `AST_ASSIGN_LE` node is discovered, the following actions are performed by the `ProcessGenerator`:

- The left-hand-side is evaluated using `AST::AstNode::genRTLIL()` and mapped to a temporary signal name using `subst_lvalue_from` and `subst_lvalue_to`.
- The right-hand-side is evaluated using `AST::AstNode::genRTLIL()`. For this call, the values of `subst_rvalue_from` and `subst_rvalue_to` are used to map blocking-assigned signals correctly.
- Remove all assignments to the same left-hand-side as this assignment from the `current_case` and all cases within it.
- Add the new assignment to the `current_case`.

### Handling of blocking assignments

When an `AST_ASSIGN_EQ` node is discovered, the following actions are performed by the ProcessGenerator:

- Perform all the steps that would be performed for a nonblocking assignment (see above).
- Remove the found left-hand-side (before lvalue mapping) from `subst_rvalue_from` and also remove the respective bits from `subst_rvalue_to`.
- Append the found left-hand-side (before lvalue mapping) to `subst_rvalue_from` and append the found right-hand-side to `subst_rvalue_to`.

### Handling of cases and if-statements

When an `AST_CASE` node is discovered, the following actions are performed by the ProcessGenerator:

- The values of `subst_rvalue_from`, `subst_rvalue_to`, `subst_lvalue_from` and `subst_lvalue_to` are pushed to the stack.
- A new `RTLIL::SwitchRule` object is generated, the selection expression is evaluated using `AST::AstNode::genRTLIL()` (with the use of `subst_rvalue_from` and `subst_rvalue_to`) and added to the `RTLIL::SwitchRule` object and the object is added to the `current_case`.
- All lvalues assigned to within the `AST_CASE` node using blocking assignments are collected and saved in the local variable `this_case_eq_lvalue`.
- New temporary signals are generated for all signals in `this_case_eq_lvalue` and stored in `this_case_eq_ltemp`.
- The signals in `this_case_eq_lvalue` are mapped using `subst_rvalue_from` and `subst_rvalue_to` and the resulting set of signals is stored in `this_case_eq_rvalue`.

Then the following steps are performed for each `AST_COND` node within the `AST_CASE` node:

- Set `subst_rvalue_from`, `subst_rvalue_to`, `subst_lvalue_from` and `subst_lvalue_to` to the values that have been pushed to the stack.
- Remove `this_case_eq_lvalue` from `subst_lvalue_from/subst_lvalue_to`.
- Append `this_case_eq_lvalue` to `subst_lvalue_from` and append `this_case_eq_ltemp` to `subst_lvalue_to`.
- Push the value of `current_case`.
- Create a new `RTLIL::CaseRule`. Set `current_case` to the new object and add the new object to the `RTLIL::SwitchRule` created above.
- Add an assignment from `this_case_eq_rvalue` to `this_case_eq_ltemp` to the new `current_case`.
- Evaluate the compare value for this case using `AST::AstNode::genRTLIL()` (with the use of `subst_rvalue_from` and `subst_rvalue_to`) modify the new `current_case` accordingly.
- Recursion into the children of the `AST_COND` node.
- Restore `current_case` by popping the old value from the stack.

Finally the following steps are performed:

- The values of `subst_rvalue_from`, `subst_rvalue_to`, `subst_lvalue_from` and `subst_lvalue_to` are popped from the stack.
- The signals from `this_case_eq_lvalue` are removed from the `subst_rvalue_from/subst_rvalue_to`-pair.

- The value of `this_case_eq_lvalue` is appended to `subst_rvalue_from` and the value of `this_case_eq_ltemp` is appended to `subst_rvalue_to`.
- Map the signals in `this_case_eq_lvalue` using `subst_lvalue_from/subst_lvalue_to`.
- Remove all assignments to signals in `this_case_eq_lvalue` in `current_case` and all cases within it.
- Add an assignment from `this_case_eq_ltemp` to `this_case_eq_lvalue` to `current_case`.

### Further analysis of the algorithm for cases and if-statements

With respect to nonblocking assignments the algorithm is easy: later assignments invalidate earlier assignments. For each signal assigned using nonblocking assignments exactly one temporary variable is generated (with the `$0`-prefix) and this variable is used for all assignments of the variable.

Note how all the `_eq`-variables become empty when no blocking assignments are used and many of the steps in the algorithm can then be ignored as a result of this.

For a variable with blocking assignments the algorithm shows the following behaviour: First a new temporary variable is created. This new temporary variable is then registered as the assignment target for all assignments for this variable within the cases for this `AST_CASE` node. Then for each case the new temporary variable is first assigned the old temporary variable. This assignment is overwritten if the variable is actually assigned in this case and is kept as a default value otherwise.

This yields an `RTLIL::CaseRule` that assigns the new temporary variable in all branches. So when all cases have been processed a final assignment is added to the containing block that assigns the new temporary variable to the old one. Note how this step always overrides a previous assignment to the old temporary variable. Other than nonblocking assignments, the old assignment could still have an effect somewhere in the design, as there have been calls to `AST::AstNode::genRTLIL()` with a `subst_rvalue_from/subst_rvalue_to`-tuple that contained the right-hand-side of the old assignment.

### The `proc` pass

The `ProcessGenerator` converts a behavioural model in AST representation to a behavioural model in `RTLIL::Process` representation. The actual conversion from a behavioural model to an RTL representation is performed by the `proc` pass and the passes it launches:

- `proc_clean` and `proc_rmdead`  
These two passes just clean up the `RTLIL::Process` structure. The `proc_clean` pass removes empty parts (eg. empty assignments) from the process and `proc_rmdead` detects and removes unreachable branches from the process's decision trees.
- `proc_arst`  
This pass detects processes that describe d-type flip-flops with asynchronous resets and rewrites the process to better reflect what they are modelling: Before this pass, an asynchronous reset has two edge-sensitive sync rules and one top-level `RTLIL::SwitchRule` for the reset path. After this pass the sync rule for the reset is level-sensitive and the top-level `RTLIL::SwitchRule` has been removed.
- `proc_mux`  
This pass converts the `RTLIL::CaseRule/RTLIL::SwitchRule`-tree to a tree of multiplexers per written signal. After this, the `RTLIL::Process` structure only contains the `RTLIL::SyncRule`s that describe the output registers.
- `proc_dff`  
This pass replaces the `RTLIL::SyncRules` to d-type flip-flops (with asynchronous resets if necessary).
- `proc_memwr`  
This pass replaces the `RTLIL::MemWriteActions` with `$memwr` cells.

- `proc_clean`

A final call to `proc_clean` removes the now empty `RTLIL::Process` objects.

Performing these last processing steps in passes instead of in the Verilog frontend has two important benefits:

First it improves the transparency of the process. Everything that happens in a separate pass is easier to debug, as the RTLIL data structures can be easily investigated before and after each of the steps.

Second it improves flexibility. This scheme can easily be extended to support other types of storage-elements, such as sr-latches or d-latches, without having to extend the actual Verilog frontend.

### Todo

Synthesizing Verilog arrays

Add some information on the generation of `$memrd` and `$memwr` cells and how they are processed in the memory pass.

### Todo

Synthesizing parametric designs

Add some information on the `RTLIL::Module::derive()` method and how it is used to synthesize parametric modules via the hierarchy pass.

## 4.2 Internal formats

Yosys uses two different internal formats. The first is used to store an abstract syntax tree (AST) of a Verilog input file. This format is simply called AST and is generated by the Verilog Frontend. This data structure is consumed by a subsystem called AST Frontend<sup>1</sup>. This AST Frontend then generates a design in Yosys' main internal format, the Register-Transfer-Level-Intermediate-Language (RTLIL) representation. It does that by first performing a number of simplifications within the AST representation and then generating RTLIL from the simplified AST data structure.

The RTLIL representation is used by all passes as input and outputs. This has the following advantages over using different representational formats between different passes:

- The passes can be rearranged in a different order and passes can be removed or inserted.
- Passes can simply pass-thru the parts of the design they don't change without the need to convert between formats. In fact Yosys passes output the same data structure they received as input and performs all changes in place.
- All passes use the same interface, thus reducing the effort required to understand a pass when reading the Yosys source code, e.g. when adding additional features.

The RTLIL representation is basically a netlist representation with the following additional features:

- An internal cell library with fixed-function cells to represent RTL datapath and register cells as well as logical gate-level cells (single-bit gates and registers).
- Support for multi-bit values that can use individual bits from wires as well as constant bits to represent coarse-grain netlists.
- Support for basic behavioural constructs (if-then-else structures and multi-case switches with a sensitivity list for updating the outputs).

<sup>1</sup> In Yosys the term pass is only used to refer to commands that operate on the RTLIL data structure.

- Support for multi-port memories.

The use of RTLIL also has the disadvantage of having a very powerful format between all passes, even when doing gate-level synthesis where the more advanced features are not needed. In order to reduce complexity for passes that operate on a low-level representation, these passes check the features used in the input RTLIL and fail to run when unsupported high-level constructs are used. In such cases a pass that transforms the higher-level constructs to lower-level constructs must be called from the synthesis script first.

### 4.2.1 The RTL Intermediate Language (RTLIL)

All frontends, passes and backends in Yosys operate on a design in RTLIL representation. The only exception are the high-level frontends that use the AST representation as an intermediate step before generating RTLIL data.

In order to avoid reinventing names for the RTLIL classes, they are simply referred to by their full C++ name, i.e. including the `RTLIL::` namespace prefix, in this document.

Figure 4.4 shows a simplified Entity-Relationship Diagram (ER Diagram) of RTLIL. In  $1 : N$  relationships the arrow points from the  $N$  side to the  $1$ . For example one `RTLIL::Design` contains  $N$  (zero to many) instances of `RTLIL::Module`. A two-pointed arrow indicates a  $1 : 1$  relationship.

The `RTLIL::Design` is the root object of the RTLIL data structure. There is always one “current design” in memory which passes operate on, frontends add data to and backends convert to exportable formats. But in some cases passes internally generate additional `RTLIL::Design` objects. For example when a pass is reading an auxiliary Verilog file such as a cell library, it might create an additional `RTLIL::Design` object and call the Verilog frontend with this other object to parse the cell library.

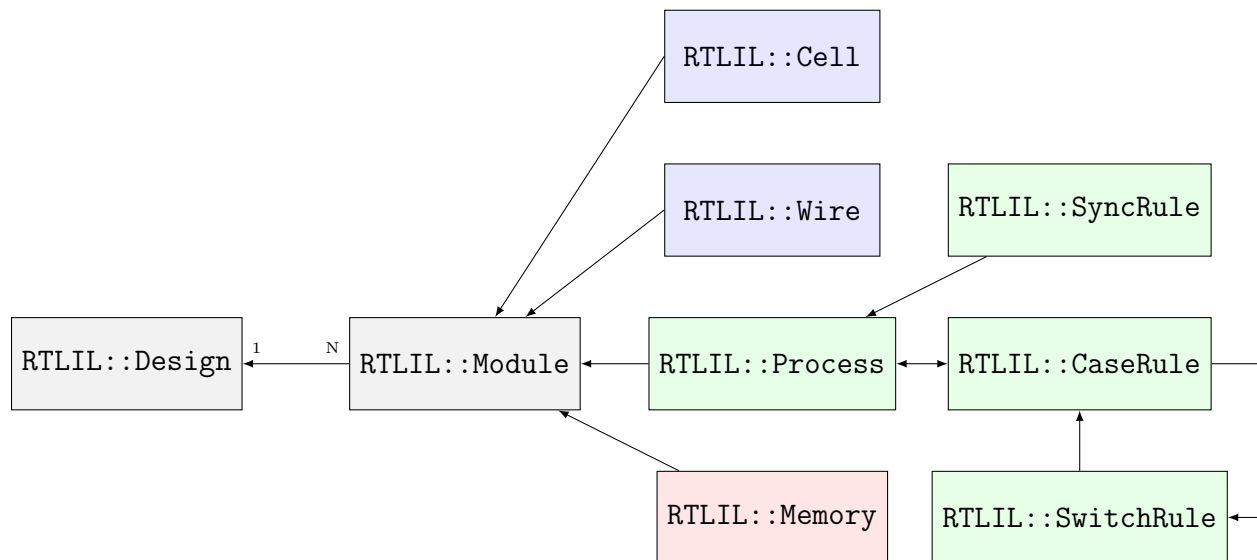


Fig. 4.4: Simplified RTLIL Entity-Relationship Diagram

There is only one active `RTLIL::Design` object that is used by all frontends, passes and backends called by the user, e.g. using a synthesis script. The `RTLIL::Design` then contains zero to many `RTLIL::Module` objects. This corresponds to modules in Verilog or entities in VHDL. Each module in turn contains objects from three different categories:

- `RTLIL::Cell` and `RTLIL::Wire` objects represent classical netlist data.
- `RTLIL::Process` objects represent the decision trees (if-then-else statements, etc.) and synchronization declarations (clock signals and sensitivity) from Verilog always and VHDL process blocks.

- `RTLIL::Memory` objects represent addressable memories (arrays).

Usually the output of the synthesis procedure is a netlist, i.e. all `RTLIL::Process` and `RTLIL::Memory` objects must be replaced by `RTLIL::Cell` and `RTLIL::Wire` objects by synthesis passes.

All features of the HDL that cannot be mapped directly to these RTLIL classes must be transformed to an RTLIL-compatible representation by the HDL frontend. This includes Verilog-features such as generate-blocks, loops and parameters.

The following sections contain a more detailed description of the different parts of RTLIL and rationale behind some of the design decisions.

### RTLIL identifiers

All identifiers in RTLIL (such as module names, port names, signal names, cell types, etc.) follow the following naming convention: they must either start with a backslash (\) or a dollar sign (\$).

Identifiers starting with a backslash are public visible identifiers. Usually they originate from one of the HDL input files. For example the signal name `\sig42` is most likely a signal that was declared using the name `sig42` in an HDL input file. On the other hand the signal name `$sig42` is an auto-generated signal name. The backends convert all identifiers that start with a dollar sign to identifiers that do not collide with identifiers that start with a backslash.

This has three advantages:

- First, it is impossible that an auto-generated identifier collides with an identifier that was provided by the user.
- Second, the information about which identifiers were originally provided by the user is always available which can help guide some optimizations. For example, `opt_clean` tries to preserve signals with a user-provided name but doesn't hesitate to delete signals that have auto-generated names when they just duplicate other signals. Note that this can be overridden with the `-purge` option to also delete internal nets with user-provided names.
- Third, the delicate job of finding suitable auto-generated public visible names is deferred to one central location. Internally auto-generated names that may hold important information for Yosys developers can be used without disturbing external tools. For example the Verilog backend assigns names in the form `_123_`.

Whitespace and control characters (any character with an ASCII code 32 or less) are not allowed in RTLIL identifiers; most frontends and backends cannot support these characters in identifiers.

In order to avoid programming errors, the RTLIL data structures check if all identifiers start with either a backslash or a dollar sign, and contain no whitespace or control characters. Violating these rules results in a runtime error.

All RTLIL identifiers are case sensitive.

Some transformations, such as flattening, may have to change identifiers provided by the user to avoid name collisions. When that happens, attribute `hdlname` is attached to the object with the changed identifier. This attribute contains one name (if emitted directly by the frontend, or is a result of disambiguation) or multiple names separated by spaces (if a result of flattening). All names specified in the `hdlname` attribute are public and do not include the leading \.

### RTLIL::Design and RTLIL::Module

The `RTLIL::Design` object is basically just a container for `RTLIL::Module` objects. In addition to a list of `RTLIL::Module` objects the `RTLIL::Design` also keeps a list of selected objects, i.e. the objects that passes should operate on. In most cases the whole design is selected and therefore passes operate on the whole design. But this mechanism can be useful for more complex synthesis jobs in which only parts of the design should be affected by certain passes.

Besides the objects shown in the *ER diagram* above, an `RTLIL::Module` object contains the following additional properties:

- The module name
- A list of attributes
- A list of connections between wires
- An optional frontend callback used to derive parametrized variations of the module

The attributes can be Verilog attributes imported by the Verilog frontend or attributes assigned by passes. They can be used to store additional metadata about modules or just mark them to be used by certain part of the synthesis script but not by others.

Verilog and VHDL both support parametric modules (known as “generic entities” in VHDL). The RTLIL format does not support parametric modules itself. Instead each module contains a callback function into the AST frontend to generate a parametrized variation of the `RTLIL::Module` as needed. This callback then returns the auto-generated name of the parametrized variation of the module. (A hash over the parameters and the module name is used to prohibit the same parametrized variation from being generated twice. For modules with only a few parameters, a name directly containing all parameters is generated instead of a hash string.)

### RTLIL::Cell and RTLIL::Wire

A module contains zero to many `RTLIL::Cell` and `RTLIL::Wire` objects. Objects of these types are used to model netlists. Usually the goal of all synthesis efforts is to convert all modules to a state where the functionality of the module is implemented only by cells from a given cell library and wires to connect these cells with each other. Note that module ports are just wires with a special property.

An `RTLIL::Wire` object has the following properties:

- The wire name
- A list of attributes
- A width (buses are just wires with a width more than 1)
- Bus direction (MSB to LSB or vice versa)
- Lowest valid bit index (LSB or MSB depending on bus direction)
- If the wire is a port: port number and direction (input/output/inout)

As with modules, the attributes can be Verilog attributes imported by the Verilog frontend or attributes assigned by passes.

In Yosys, busses (signal vectors) are represented using a single wire object with a width more than 1. So Yosys does not convert signal vectors to individual signals. This makes some aspects of RTLIL more complex but enables Yosys to be used for coarse grain synthesis where the cells of the target architecture operate on entire signal vectors instead of single bit wires.

In Verilog and VHDL, busses may have arbitrary bounds, and LSB can have either the lowest or the highest bit index. In RTLIL, bit 0 always corresponds to LSB; however, information from the HDL frontend is preserved so that the bus will be correctly indexed in error messages, backend output, constraint files, etc.

An `RTLIL::Cell` object has the following properties:

- The cell name and type
- A list of attributes
- A list of parameters (for parametric cells)
- Cell ports and the connections of ports to wires and constants

The connections of ports to wires are coded by assigning an `RTLIL::SigSpec` to each cell port. The `RTLIL::SigSpec` data type is described in the next section.

### RTLIL::SigSpec

A “signal” is everything that can be applied to a cell port. I.e.

- A bit from a wire (`RTLIL::SigBit`)  
lem For example: `mywire[24]`
- A range of bits from a wire (wire variant of `RTLIL::SigChunk`)  
lem For example: `mywire, mywire[15:8]`
- Any constant value of arbitrary bit-width (`std::vector<RTLIL::State>>` variant of `RTLIL::SigChunk`)  
lem For example: `1337, 16'b0000010100111001, 1'b1, 1'bx`

The `RTLIL::SigSpec` data type is used to represent signals. It contains a single `RTLIL::SigChunk` or a vector of `RTLIL::SigBit`. The `RTLIL::Cell` object contains one `RTLIL::SigSpec` for each cell port.

In addition, connections between wires are represented using a pair of `RTLIL::SigSpec` objects. Such pairs are needed in different locations. Therefore the type name `RTLIL::SigSig` was defined for such a pair.

### RTLIL::Process

When a high-level HDL frontend processes behavioural code it splits it up into data path logic (e.g. the expression `a + b` is replaced by the output of an adder that takes `a` and `b` as inputs) and an `RTLIL::Process` that models the control logic of the behavioural code. Let’s consider a simple example:

```

1 module ff_with_en_and_async_reset(clock, reset, enable, d, q);
2 input clock, reset, enable, d;
3 output reg q;
4 always @(posedge clock, posedge reset)
5     if (reset)
6         q <= 0;
7     else if (enable)
8         q <= d;
9 endmodule

```

In this example there is no data path and therefore the `RTLIL::Module` generated by the frontend only contains a few `RTLIL::Wire` objects and an `RTLIL::Process`. The `RTLIL::Process` in RTLIL syntax:

```

1 process $proc$ff_with_en_and_async_reset.v:4$1
2     assign $0\q[0:0] \q
3     switch \reset
4         case 1'1
5             assign $0\q[0:0] 1'0
6         case
7             switch \enable
8                 case 1'1
9                     assign $0\q[0:0] \d
10                case
11                end
12     end
13     sync posedge \clock
14     update \q $0\q[0:0]

```

(continues on next page)

(continued from previous page)

```

15   sync posedge \reset
16   update \q $0\q[0:0]
17 end

```

This `RTLIL::Process` contains two `RTLIL::SyncRule` objects, two `RTLIL::SwitchRule` objects and five `RTLIL::CaseRule` objects. The wire `$0\q[0:0]` is an automatically created wire that holds the next value of `\q`. The lines 2..12 describe how `$0\q[0:0]` should be calculated. The lines 13..16 describe how the value of `$0\q[0:0]` is used to update `\q`.

An `RTLIL::Process` is a container for zero or more `RTLIL::SyncRule` objects and exactly one `RTLIL::CaseRule` object, which is called the root case.

An `RTLIL::SyncRule` object contains an (optional) synchronization condition (signal and edge-type), zero or more assignments (`RTLIL::SigSig`), and zero or more memory writes (`RTLIL::MemWriteAction`). The always synchronization condition is used to break combinatorial loops when a latch should be inferred instead.

An `RTLIL::CaseRule` is a container for zero or more assignments (`RTLIL::SigSig`) and zero or more `RTLIL::SwitchRule` objects. An `RTLIL::SwitchRule` objects is a container for zero or more `RTLIL::CaseRule` objects.

In the above example the lines 2..12 are the root case. Here `$0\q[0:0]` is first assigned the old value `\q` as default value (line 2). The root case also contains an `RTLIL::SwitchRule` object (lines 3..12). Such an object is very similar to the C switch statement as it uses a control signal (`\reset` in this case) to determine which of its cases should be active. The `RTLIL::SwitchRule` object then contains one `RTLIL::CaseRule` object per case. In this example there is a case<sup>1</sup> for `\reset == 1` that causes `$0\q[0:0]` to be set (lines 4 and 5) and a default case that in turn contains a switch that sets `$0\q[0:0]` to the value of `\d` if `\enable` is active (lines 6..11).

A case can specify zero or more compare values that will determine whether it matches. Each of the compare values must be the exact same width as the control signal. When more than one compare value is specified, the case matches if any of them matches the control signal; when zero compare values are specified, the case always matches (i.e. it is the default case).

A switch prioritizes cases from first to last: multiple cases can match, but only the first matched case becomes active. This normally synthesizes to a priority encoder. The `parallel_case` attribute allows passes to assume that no more than one case will match, and `full_case` attribute allows passes to assume that exactly one case will match; if these invariants are ever dynamically violated, the behavior is undefined. These attributes are useful when an invariant invisible to the synthesizer causes the control signal to never take certain bit patterns.

The lines 13..16 then cause `\q` to be updated whenever there is a positive clock edge on `\clock` or `\reset`.

In order to generate such a representation, the language frontend must be able to handle blocking and nonblocking assignments correctly. However, the language frontend does not need to identify the correct type of storage element for the output signal or generate multiplexers for the decision tree. This is done by passes that work on the RTLIL representation. Therefore it is relatively easy to substitute these steps with other algorithms that target different target architectures or perform optimizations or other transformations on the decision trees before further processing them.

One of the first actions performed on a design in RTLIL representation in most synthesis scripts is identifying asynchronous resets. This is usually done using the `proc_arst` pass. This pass transforms the above example to the following `RTLIL::Process`:

<sup>1</sup> The syntax `1'1` in the RTLIL code specifies a constant with a length of one bit (the first 1), and this bit is a one (the second 1).

```

1 process $proc$ff_with_en_and_async_reset.v:4$1
2   assign $0\q[0:0] \q
3   switch \enable
4     case 1'1
5       assign $0\q[0:0] \d
6     case
7   end
8   sync posedge \clock
9     update \q $0\q[0:0]
10  sync high \reset
11    update \q 1'0
12 end

```

This pass has transformed the outer `RTLIL::SwitchRule` into a modified `RTLIL::SyncRule` object for the `\reset` signal. Further processing converts the `RTLIL::Process` into e.g. a d-type flip-flop with asynchronous reset and a multiplexer for the enable signal:

```

1 cell $adff $procdff$6
2   parameter \ARST_POLARITY 1'1
3   parameter \ARST_VALUE 1'0
4   parameter \CLK_POLARITY 1'1
5   parameter \WIDTH 1
6   connect \ARST \reset
7   connect \CLK \clock
8   connect \D $0\q[0:0]
9   connect \Q \q
10 end
11 cell $mux $procmux$3
12   parameter \WIDTH 1
13   connect \A \q
14   connect \B \d
15   connect \S \enable
16   connect \Y $0\q[0:0]
17 end

```

Different combinations of passes may yield different results. Note that `$adff` and `$mux` are internal cell types that still need to be mapped to cell types from the target cell library.

Some passes refuse to operate on modules that still contain `RTLIL::Process` objects as the presence of these objects in a module increases the complexity. Therefore the passes to translate processes to a netlist of cells are usually called early in a synthesis script. The `proc` pass calls a series of other passes that together perform this conversion in a way that is suitable for most synthesis tasks.

### RTLIL::Memory

For every array (memory) in the HDL code an `RTLIL::Memory` object is created. A memory object has the following properties:

- The memory name
- A list of attributes
- The width of an addressable word
- The size of the memory in number of words

All read accesses to the memory are transformed to `$memrd` cells and all write accesses to `$memwr` cells by the language frontend. These cells consist of independent read- and write-ports to the memory. Memory initialization is transformed to `$mемinit` cells by the language frontend. The `\MEMID` parameter on these cells is used to link them together and to the `RTLIL::Memory` object they belong to.

The rationale behind using separate cells for the individual ports versus creating a large multiport memory cell right in the language frontend is that the separate `$memrd` and `$memwr` cells can be consolidated using resource sharing. As resource sharing is a non-trivial optimization problem where different synthesis tasks can have different requirements it lends itself to do the optimisation in separate passes and merge the `RTLIL::Memory` objects and `$memrd` and `$memwr` cells to multiport memory blocks after resource sharing is completed.

The memory pass performs this conversion and can (depending on the options passed to it) transform the memories directly to d-type flip-flops and address logic or yield multiport memory blocks (represented using `$mem` cells).

See *Memories* for details about the memory cell types.

## 4.3 Working with the Yosys codebase

This section goes into additional detail on the Yosys source code and git repository. This information is not needed for simply using Yosys, but may be of interest for developers looking to customise Yosys builds.

### 4.3.1 Writing extensions

#### Todo

check text is coherent

#### Todo

update to use `/code_examples/extensions/test*.log`

This chapter contains some bits and pieces of information about programming yosys extensions. Don't be afraid to ask questions on the YosysHQ Discourse.

#### Todo

mention coding guide

### Quick guide

Code examples from this section are included in the `docs/source/code_examples/extensions` directory of the Yosys source code.

### Program components and data formats

See *The RTL Intermediate Language (RTLIL)* document for more information about the internal data storage format used in Yosys and the classes that it provides.

This document will focus on the much simpler version of RTLIL left after the commands `proc` and `memory` (or `memory -nomap`):

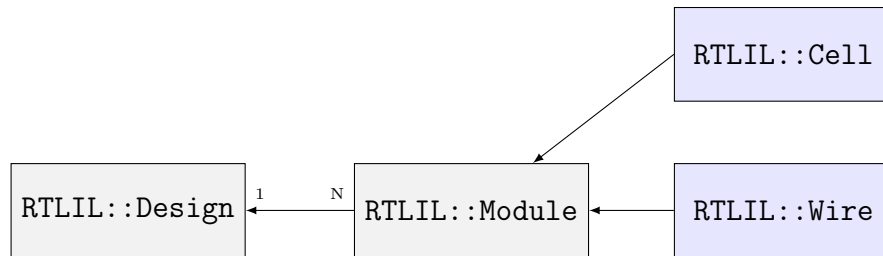


Fig. 4.5: Simplified RTLIL entity-relationship diagram without memories and processes

It is possible to only work on this simpler version:

#### Todo

consider replacing inline code

```

for (RTLIL::Module *module : design->selected_modules() {
    if (module->has_memories_warn() || module->has_processes_warn())
        continue;
    ....
}
  
```

When trying to understand what a command does, creating a small test case to look at the output of `dump` and `show` before and after the command has been executed can be helpful. *Selections* has more information on using these commands.

### Creating a command

#### Todo

add/expand supporting text

Let's create a very simple test command which prints the arguments we called it with, and lists off the current design's modules.

Listing 4.1: Example command `my_cmd` from `my_cmd.cc`

```

#include "kernel/yosys.h"
USING_YOSYS_NAMESPACE

struct MyPass : public Pass {
    MyPass() : Pass("my_cmd", "just a simple test") { }
    void execute(std::vector<std::string> args, RTLIL::Design *design) override
    {
        log("Arguments to my_cmd:\n");
        for (auto &arg : args)
            log(" %s\n", arg);

        log("Modules in current design:\n");
    }
}
  
```

(continues on next page)

(continued from previous page)

```

    for (auto mod : design->modules())
        log(" %s (%d wires, %d cells)\n", mod,
            GetSize(mod->wires()), GetSize(mod->cells()));
    }
} MyPass;

```

Note that we are making a global instance of a class derived from `Yosys::Pass`, which we get by including `kernel/yosys.h`.

### Compiling to a plugin

Yosys can be extended by adding additional C++ code to the Yosys code base, or by loading plugins into Yosys. For maintainability it is generally recommended to create plugins.

The following command compiles our example `my_cmd` to a Yosys plugin:

#### Todo

replace inline code

```

yosys-config --exec --cxx --cxxflags --ldflags \
-o my_cmd.so -shared my_cmd.cc --ldlibs

```

Or shorter:

```

yosys-config --build my_cmd.so my_cmd.cc

```

Running Yosys with the `-m` option allows the plugin to be used. Here's a quick example that also uses the `-p` option to run `my_cmd foo bar`.

```

$ yosys -m ./my_cmd.so -p 'my_cmd foo bar'

```

```

-- Running command `my_cmd foo bar' --

```

```

Arguments to my_cmd:

```

```

  my_cmd
  foo
  bar

```

```

Modules in current design:

```

### Creating modules from scratch

Let's create the following module using the RTLIL API:

Listing 4.2: `absval_ref.v`

```

module absval_ref(input signed [3:0] a, output [3:0] y);
    assign y = a[3] ? -a : a;
endmodule

```

We'll do the same as before and format it as a `Yosys::Pass`.

Listing 4.3: test1 - creating the absval module, from my\_cmd.cc

```

struct Test1Pass : public Pass {
    Test1Pass() : Pass("test1", "creating the absval module") { }
    void execute(std::vector<std::string>, RTLIL::Design *design) override
    {
        if (design->has("\\absval") != 0)
            log_error("A module with the name absval already exists!\n");

        RTLIL::Module *module = design->addModule("\\absval");
        log("Name of this module: %s\n", module);

        RTLIL::Wire *a = module->addWire("\\a", 4);
        a->port_input = true;
        a->port_id = 1;

        RTLIL::Wire *y = module->addWire("\\y", 4);
        y->port_output = true;
        y->port_id = 2;

        RTLIL::Wire *a_inv = module->addWire(NEW_ID, 4);
        module->addNeg(NEW_ID, a, a_inv, true);
        module->addMux(NEW_ID, a, a_inv, RTLIL::SigSpec(a, 3), y);

        module->fixup_ports();
    }
} Test1Pass;

```

```

$ yosys -m ./my_cmd.so -p 'test1' -Q

-- Running command `test1' --
Name of this module: absval

```

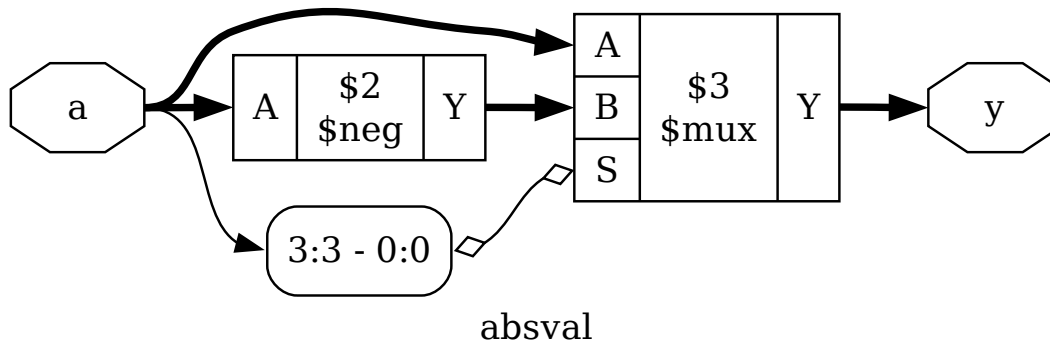
And if we look at the schematic for this new module we see the following:

### Modifying modules

Most commands modify existing modules, not create new ones.

When modifying existing modules, stick to the following DOs and DON'Ts:

- Do not remove wires. Simply disconnect them and let a successive *clean* command worry about removing it.
- Use `module->fixup_ports()` after changing the `port_*` properties of wires.
- You can safely remove cells or change the `connections` property of a cell, but be careful when changing the size of the `SigSpec` connected to a cell port.
- Use the `SigMap` helper class (see next section) when you need a unique handle for each signal bit.

Fig. 4.6: Output of `yosys -m ./my_cmd.so -p 'test1; show'`

### Using the SigMap helper class

Consider the following module:

Listing 4.4: `sigmap_test.v`

```
module test(input a, output x, y);
    assign x = a, y = a;
endmodule
```

In this case `a`, `x`, and `y` are all different names for the same signal. However:

#### Todo

use `my_cmd.cc` `literalincludes`

```
RTLIL::SigSpec a(module->wire("\\a")), x(module->wire("\\x")),
               y(module->wire("\\y"));
log("%d %d %d\n", a == x, x == y, y == a); // will print "0 0 0"
```

The `SigMap` helper class can be used to map all such aliasing signals to a unique signal from the group (usually the wire that is directly driven by a cell or port).

```
SigMap sigmap(module);
log("%d %d %d\n", sigmap(a) == sigmap(x), sigmap(x) == sigmap(y),
               sigmap(y) == sigmap(a)); // will print "1 1 1"
```

### Printing log messages

The `log()` function is a `printf()`-like function that can be used to create log messages.

Use `log_signal()` to create a C-string for a `SigSpec` object:

```
log("Mapped signal x: %s\n", log_signal(sigmap(x)));
```

The pointer returned by `log_signal()` is automatically freed by the log framework at a later time.

Use `log_id()` to create a C-string for an `RTLIL::IdString`:

```
log("Name of this module: %s\n", log_id(module->name));
```

Use `log_header()` and `log_push()/log_pop()` to structure log messages:

#### Todo

replace inline code

```
log_header(design, "Doing important stuff!\n");
log_push();
for (int i = 0; i < 10; i++)
    log("Log message #%d.\n", i);
log_pop();
```

### Error handling

Use `log_error()` to report a non-recoverable error:

#### Todo

replace inline code

```
if (design->modules.count(module->name) != 0)
    log_error("A module with the name %s already exists!\n", module);
```

Use `log_cmd_error()` to report a recoverable error:

```
if (design->selection().empty())
    log_cmd_error("This command can't operator on an empty selection!\n");
```

Use `log_assert()` and `log_abort()` instead of `assert()` and `abort()`.

### The “stubnets” example module

The following is the complete code of the “stubnets” example module. It is included in the Yosys source distribution under `docs/source/code_examples/stubnets`.

Listing 4.5: `stubnets.cc`

```
1 // This is free and unencumbered software released into the public domain.
2 //
3 // Anyone is free to copy, modify, publish, use, compile, sell, or
4 // distribute this software, either in source code form or as a compiled
5 // binary, for any purpose, commercial or non-commercial, and by any
6 // means.
```

(continues on next page)

(continued from previous page)

```

7
8 #include "kernel/yosys.h"
9 #include "kernel/sigtools.h"
10
11 #include <string>
12 #include <map>
13 #include <set>
14
15 USING_YOSYS_NAMESPACE
16 PRIVATE_NAMESPACE_BEGIN
17
18 // this function is called for each module in the design
19 static void find_stub_nets(RTLIL::Design *design, RTLIL::Module *module, bool report_
↳bits)
20 {
21     // use a SigMap to convert nets to a unique representation
22     SigMap sigmap(module);
23
24     // count how many times a single-bit signal is used
25     std::map<RTLIL::SigBit, int> bit_usage_count;
26
27     // count output lines for this module (needed only for summary output at the end)
28     int line_count = 0;
29
30     log("Looking for stub wires in module %s:\n", module);
31
32     // For all ports on all cells
33     for (auto &cell_iter : module->cells_)
34     for (auto &conn : cell_iter.second->connections())
35     {
36         // Get the signals on the port
37         // (use sigmap to get a unique signal name)
38         RTLIL::SigSpec sig = sigmap(conn.second);
39
40         // add each bit to bit_usage_count, unless it is a constant
41         for (auto &bit : sig)
42             if (bit.wire != NULL)
43                 bit_usage_count[bit]++;
44     }
45
46     // for each wire in the module
47     for (auto &wire_iter : module->wires_)
48     {
49         RTLIL::Wire *wire = wire_iter.second;
50
51         // .. but only selected wires
52         if (!design->selected(module, wire))
53             continue;
54
55         // add +1 usage if this wire actually is a port
56         int usage_offset = wire->port_id > 0 ? 1 : 0;
57

```

(continues on next page)

(continued from previous page)

```

58 // we will record which bits of the (possibly multi-bit) wire are stub_
↳signals
59 std::set<int> stub_bits;
60
61 // get a signal description for this wire and split it into separate bits
62 RTLIL::SigSpec sig = sigmap(wire);
63
64 // for each bit (unless it is a constant):
65 // check if it is used at least two times and add to stub_bits otherwise
66 for (int i = 0; i < GetSize(sig); i++)
67     if (sig[i].wire != NULL && (bit_usage_count[sig[i]] + usage_
↳offset) < 2)
68         stub_bits.insert(i);
69
70 // continue if no stub bits found
71 if (stub_bits.size() == 0)
72     continue;
73
74 // report stub bits and/or stub wires, don't report single bits
75 // if called with report_bits set to false.
76 if (GetSize(stub_bits) == GetSize(sig)) {
77     log(" found stub wire: %s\n", wire);
78 } else {
79     if (!report_bits)
80         continue;
81     log(" found wire with stub bits: %s [", wire);
82     for (int bit : stub_bits)
83         log("%s%d", bit == *stub_bits.begin() ? "" : ", ", bit);
84     log("]\n");
85 }
86
87 // we have outputted a line, increment summary counter
88 line_count++;
89 }
90
91 // report summary
92 if (report_bits)
93     log(" found %d stub wires or wires with stub bits.\n", line_count);
94 else
95     log(" found %d stub wires.\n", line_count);
96 }
97
98 // each pass contains a singleton object that is derived from Pass
99 struct StubnetsPass : public Pass {
100     StubnetsPass() : Pass("stubnets") { }
101     void execute(std::vector<std::string> args, RTLIL::Design *design) override
102     {
103         // variables to mirror information from passed options
104         bool report_bits = 0;
105
106         log_header(design, "Executing STUBNETS pass (find stub nets).\n");
107

```

(continues on next page)

(continued from previous page)

```

108     // parse options
109     size_t argidx;
110     for (argidx = 1; argidx < args.size(); argidx++) {
111         std::string arg = args[argidx];
112         if (arg == "-report_bits") {
113             report_bits = true;
114             continue;
115         }
116         break;
117     }
118
119     // handle extra options (e.g. selection)
120     extra_args(args, argidx, design);
121
122     // call find_stub_nets() for each module that is either
123     // selected as a whole or contains selected objects.
124     for (auto &it : design->modules_)
125         if (design->selected_module(it.first))
126             find_stub_nets(design, it.second, report_bits);
127     }
128 } StubnetsPass;
129
130 PRIVATE_NAMESPACE_END

```

Listing 4.6: Makefile

```

1  .PHONY: all dots examples
2  all: dots examples
3  dots:
4  examples:
5
6  .PHONY: test
7  test: stubnets.so
8      yosys -ql test1.log -m ./stubnets.so test.v -p "stubnets"
9      yosys -ql test2.log -m ./stubnets.so test.v -p "opt; stubnets"
10     yosys -ql test3.log -m ./stubnets.so test.v -p "techmap; opt; stubnets -report_
↪bits"
11     tail test1.log test2.log test3.log
12
13 stubnets.so: stubnets.cc
14     yosys-config --exec --cxx --cxxflags --ldflags -o $@ -shared $^ --ldlibs
15
16 .PHONY: clean
17 clean:
18     rm -f test1.log test2.log test3.log
19     rm -f stubnets.so stubnets.d

```

Listing 4.7: test.v

```

1  module uut(in1, in2, in3, out1, out2);
2
3  input [8:0] in1, in2, in3;

```

(continues on next page)

(continued from previous page)

```

4 output [8:0] out1, out2;
5
6 assign out1 = in1 + in2 + (in3 >> 4);
7
8 endmodule

```

### 4.3.2 Compiling with Verific library

The easiest way to get Yosys with Verific support is to [contact YosysHQ](#) for a [Tabby CAD Suite](#) evaluation license and download link. The TabbyCAD Suite includes additional patches and a custom extensions library in order to get the most out of the Verific parser when using Yosys.

If you already have a license for the Verific parser, in either source or binary form, you may be able to compile Yosys with partial Verific support yourself.

#### The Yosys-Verific patch

YosysHQ maintains and develops a patch for Verific in order to better integrate with Yosys and to provide features required by some of the formal verification front-end tools. To license this patch for your own Yosys builds, [contact YosysHQ](#).

#### Warning

While synthesis from RTL may be possible without this patch, YosysHQ provides no guarantees of correctness and is unable to provide support.

We recommend against using unpatched Yosys+Verific builds in conjunction with the formal verification front-end tools unless you are familiar with their inner workings. There are cases where the tools will appear to work, while producing incorrect results.

#### Note

Some of the formal verification front-end tools may not be fully supported without the full TabbyCAD suite. If you want to use these tools, including SBY, make sure to ask us if the Yosys-Verific patch is right for you.

#### Compile options

To enable Verific support `ENABLE_VERIFIC` has to be set to 1 and `VERIFIC_DIR` needs to point to the location where the library is located.

Parameter	Default	Description
<code>ENABLE_VERIFIC</code>	0	Enable compilation with Verific
<code>VERIFIC_DIR</code>	<code>/usr/local/src/verific_lib</code>	Library and headers location

Since there are multiple Verific library builds and they can have different features, there are compile options to select them.

Parameter	Default	Description
ENABLE_VERIFIC_SYSTEMVERILOG	1	SystemVerilog support
ENABLE_VERIFIC_VHDL	1	VHDL support
ENABLE_VERIFIC_HIER_TREE	1	Hierarchy tree support
ENABLE_VERIFIC_YOSYSHQ_EXTENSIONS	0	YosysHQ specific extensions support
ENABLE_VERIFIC_EDIF	0	EDIF support
ENABLE_VERIFIC_LIBERTY	0	Liberty file support

To find the compile options used for a given Yosys build, call `yosys-config --cxxflags`. This documentation was built with the following compile options:

```
--cxxflags      -g -O2 -fno-omit-frame-pointer -mno-omit-leaf-frame-pointer \
                -flto=auto -ffat-lto-objects -fstack-protector-strong \
                -fstack-clash-protection -Wformat -Werror=format-security \
                -fcf-protection -Wall -Wextra -Werror=unused -ggdb \
                -I"/usr/share/yosys/include" -MD -MP -D_YOSYS_ -fPIC \
                -I/usr/include -DYOSYS_ENABLE_HELP_SOURCE -DYOSYS_VER="0.66" \
                -DYOSYS_MAJOR=0 -DYOSYS_MINOR=66 -DYOSYS_COMMIT=0.66 \
                -std=c++20 -O3 -DYOSYS_ENABLE_READLINE -DYOSYS_ENABLE_PLUGINS \
                -DYOSYS_ENABLE_GLOB -DYOSYS_ENABLE_ZLIB -I/usr/include/tcl8.6 \
                -DYOSYS_ENABLE_TCL -DYOSYS_ENABLE_THREADS -DYOSYS_ENABLE_ABC
```

### Note

The YosysHQ specific extensions are only available with the TabbyCAD suite.

## Required Verific features

The following features, along with their corresponding Yosys build parameters, are required for the Yosys-Verific patch:

- RTL elaboration with
  - SystemVerilog with `ENABLE_VERIFIC_SYSTEMVERILOG`, and/or
  - VHDL support with `ENABLE_VERIFIC_VHDL`.
- Hierarchy tree support and static elaboration with `ENABLE_VERIFIC_HIER_TREE`.

Please be aware that the following Verific configuration build parameter needs to be enabled in order to create the fully supported build:

```
database/DBCompileFlags.h:
    DB_PRESERVE_INITIAL_VALUE
```

### Note

Yosys+Verific builds may compile without these features, but we provide no guarantees and cannot offer support if they are disabled or the Yosys-Verific patch is not used.

## Optional Verific features

The following Verific features are available with TabbyCAD and can be enabled in Yosys builds:

- EDIF support with `ENABLE_VERIFIC_EDIF`, and
- Liberty file support with `ENABLE_VERIFIC_LIBERTY`.

## Partially supported builds

This section describes Yosys+Verific configurations which we have confirmed as working in the past, however they are not a part of our regular tests so we cannot guarantee they are still functional.

To be able to compile Yosys with Verific, the Verific library must have support for at least one HDL language with RTL elaboration enabled. The following table lists a series of build configurations which are possible, but only provide a limited subset of features. Please note that support is limited without YosysHQ specific extensions of Verific library.

### Configuration values:

- `ENABLE_VERIFIC_SYSTEMVERILOG`
- `ENABLE_VERIFIC_VHDL`
- `ENABLE_VERIFIC_HIER_TREE`
- `ENABLE_VERIFIC_YOSYSHQ_EXTENSIONS`

Features	Configuration values			
	a	b	c	d
SystemVerilog + RTL elaboration	1	0	0	0
VHDL + RTL elaboration	0	1	0	0
SystemVerilog + VHDL + RTL elaboration	1	1	0	0
SystemVerilog + RTL elaboration + Static elaboration + Hier tree	1	0	1	0
VHDL + RTL elaboration + Static elaboration + Hier tree	0	1	1	0
SystemVerilog + VHDL + RTL elaboration + Static elaboration + Hier tree	1	1	1	0

### Note

In case your Verific build has EDIF and/or Liberty support, you can enable those options. These are not mentioned above for simplification and since they are disabled by default.

## 4.3.3 Writing a new backend using FunctionalIR

### What is FunctionalIR

To simplify the writing of backends for functional languages or similar targets, Yosys provides an alternative intermediate representation called FunctionalIR which maps more directly on those targets.

FunctionalIR represents the design as a function `(inputs, current_state) -> (outputs, next_state)`. This function is broken down into a series of assignments to variables. Each assignment is a simple operation, such as an addition. Complex operations are broken up into multiple steps. For example, an RTLIL addition will be translated into a sign/zero extension of the inputs, followed by an addition.

Like SSA form, each variable is assigned to exactly once. We can thus treat variables and assignments as equivalent and, since this is a graph-like representation, those variables are also called “nodes”. Unlike

RTLIL's cells and wires representation, this representation is strictly ordered (topologically sorted) with definitions preceding their use.

Every node has a “sort” (the `FunctionalIR` term for what might otherwise be called a “type”). The sorts available are

- `bit[n]` for an n-bit bitvector, and
- `memory[n,m]` for an immutable array of  $2^{*n}$  values of sort `bit[m]`.

In terms of actual code, Yosys provides a class `Functional::IR` that represents a design in `FunctionalIR`. `Functional::IR::from_module` generates an instance from an RTLIL module. The entire design is stored as a whole in an internal data structure. To access the design, the `Functional::Node` class provides a reference to a particular node in the design. The `Functional::IR` class supports the syntax `for(auto node : ir)` to iterate over every node.

`Functional::IR` also keeps track of inputs, outputs and states. By a “state” we mean a pair of a “current state” input and a “next state” output. One such pair is created for every register and for every memory. Every input, output and state has a name (equal to their name in RTLIL), a sort and a kind. The kind field usually remains as the default value `$input`, `$output` or `$state`, however some RTLIL cells such as `$assert` or `$anyseq` generate auxiliary inputs/outputs/states that are given a different kind to distinguish them from ordinary RTLIL inputs/outputs/states.

- To access an individual input/output/state, use `ir.input(name, kind)`, `ir.output(name, kind)` or `ir.state(name, kind)`. `kind` defaults to the default kind.
- To iterate over all inputs/outputs/states of a certain kind, methods `ir.inputs`, `ir.outputs`, `ir.states` are provided. Their argument defaults to the default kinds mentioned.
- To iterate over inputs/outputs/states of any kind, use `ir.all_inputs`, `ir.all_outputs` and `ir.all_states`.
- Outputs have a node that indicate the value of the output, this can be retrieved via `output.value()`.
- States have a node that indicate the next value of the state, this can be retrieved via `state.next_value()`. They also have an initial value that is accessed as either `state.initial_value_signal()` or `state.initial_value_memory()`, depending on their sort.

Each node has a “function”, which defines its operation (for a complete list of functions and a specification of their operation, see `functional.h`). Functions are represented as an enum `Functional::Fn` and the function field can be accessed as `node.fn()`. Since the most common operation is a switch over the function that also accesses the arguments, the `Node` class provides a method `visit` that implements the visitor pattern. For example, for an addition node `node` with arguments `n1` and `n2`, `node.visit(visitor)` would call `visitor.add(node, n1, n2)`. Thus typically one would implement a class with a method for every function. Visitors should inherit from either `Functional::AbstractVisitor<ReturnType>` or `Functional::DefaultVisitor<ReturnType>`. The former will produce a compiler error if a case is unhandled, the latter will call `default_handler(node)` instead. Visitor methods should be marked as `override` to provide compiler errors if the arguments are wrong.

## Utility classes

`functional.h` also provides utility classes that are independent of the main `FunctionalIR` representation but are likely to be useful for backends.

`Functional::Writer` provides a simple formatting class that wraps a `std::ostream` and provides the following methods:

- `writer << value` wraps `os << value`.
- `writer.print(fmt, value0, value1, value2, ...)` replaces `{0}`, `{1}`, `{2}`, etc in the string `fmt` with `value0`, `value1`, `value2`, resp. Each value is formatted using `os << value`. It is also possible to

write `{}` to refer to one past the last index, i.e. `{1} {} {} {7} {}` is equivalent to `{1} {2} {3} {7} {8}`.

- `writer.print_with(fn, fmt, value0, value1, value2, ...)` functions much the same as `print` but it uses `os << fn(value)` to print each value and falls back to `os << value` if `fn(value)` is not legal.

`Functional::Scope` keeps track of variable names in a target language. It is used to translate between different sets of legal characters and to avoid accidentally re-defining identifiers. Users should derive a class from `Scope` and supply the following:

- `Scope<Id>` takes a template argument that specifies a type that's used to uniquely distinguish variables. Typically this would be `int` (if variables are used for `Functional::IR` nodes) or `IdString`.
- The derived class should provide a constructor that calls `reserve` for every reserved word in the target language.
- A method `bool is_character_legal(char c, int index)` has to be provided that returns `true` iff `c` is legal in an identifier at position `index`.

Given an instance `scope` of the derived class, the following methods are then available:

- `scope.reserve(std::string name)` marks the given name as being in-use
- `scope.unique_name(IdString suggestion)` generates a previously unused name and attempts to make it similar to `suggestion`.
- `scope(Id id, IdString suggestion)` functions similar to `unique_name`, except that multiple calls with the same `id` are guaranteed to retrieve the same name (independent of `suggestion`).

`sexpr.h` provides classes that represent and pretty-print s-expressions. S-expressions can be constructed with `SExpr::list`, for example `SExpr expr = SExpr::list("add", "x", SExpr::list("mul", "y", "z"))` represents `(add x (mul y z))` (by adding using `SExprUtil::list` to the top of the file, `list` can be used as shorthand for `SExpr::list`). For prettyprinting, `SExprWriter` wraps an `std::ostream` and provides the following methods:

- `writer << sexpr` writes the provided expression to the output, breaking long lines and adding appropriate indentation.
- `writer.open(sexpr)` is similar to `writer << sexpr` but will omit the last closing parenthesis. Further arguments can then be added separately with `<<` or `open`. This allows for printing large s-expressions without needing to construct the whole expression in memory first.
- `writer.open(sexpr, false)` is similar to `writer.open(sexpr)` but further arguments will not be indented. This is used to avoid unlimited indentation on structures with unlimited nesting.
- `writer.close(n = 1)` closes the last `n` open s-expressions.
- `writer.push()` and `writer.pop()` are used to automatically close s-expressions. `writer.pop()` closes all s-expressions opened since the last call to `writer.push()`.
- `writer.comment(string)` writes a comment on a separate-line. `writer.comment(string, true)` appends a comment to the last printed s-expression.
- `writer.flush()` flushes any buffering and should be called before any direct access to the underlying `std::ostream`. It does not close unclosed parentheses.
- The destructor calls `flush` but also closes all unclosed parentheses.

**Example: A minimal functional backend**

At its most basic, there are three steps we need to accomplish for a minimal functional backend. First, we need to convert our design into `FunctionalIR`. This is most easily done by calling the `Functional::IR::from_module()` static method with our top-level module, or iterating over and converting each of the modules in our design. Second, we need to handle each of the `Functional::Nodes` in our design. Iterating over the `Functional::IR` includes reading the module inputs and current state, but not writing the results. So our final step is to handle the outputs and next state.

In order to add an output command to Yosys, we implement the `Yosys::Backend` class and provide an instance of it:

Listing 4.8: Example source code for a minimal functional backend, `dummy.cc`

```
#include "kernel/functional.h"
#include "kernel/yosys.h"

USING_YOSYS_NAMESPACE
PRIVATE_NAMESPACE_BEGIN

struct FunctionalDummyBackend : public Backend {
    FunctionalDummyBackend() : Backend("functional_dummy", "dump generated_
↪Functional IR") {}
    void execute(std::ostream *amp;f, std::string filename, std::vector<std::string>_
↪args, RTLIL::Design *design) override
    {
        // backend pass boiler plate
        log_header(design, "Executing dummy functional backend.\n");

        size_t argidx = 1;
        extra_args(f, filename, args, argidx, design);

        for (auto module : design->selected_modules())
        {
            log("Processing module `%s`.\n", module->name);

            // convert module to FunctionalIR
            auto ir = Functional::IR::from_module(module);
            *f << "module " << module->name.c_str() << "\n";

            // write node functions
            for (auto node : ir)
                *f << " assign " << node.name().unescape()
                << " = " << node.to_string() << "\n";
            *f << "\n";

            // write outputs and next state
            for (auto output : ir.outputs())
                *f << " " << output->kind.unescape()
                << " " << output->name.unescape()
                << " = " << output->value().name().unescape() << "\n";
            for (auto state : ir.states())
                *f << " " << state->kind.unescape()
```

(continues on next page)

(continued from previous page)

```

                                << " " << state->name.unescape()
                                << " = " << state->next_value().name().unescape() <<
->"\n";
                                }
                                }
} FunctionalDummyBackend;

PRIVATE_NAMESPACE_END

```

Because we are using the `Backend` class, our "functional\_dummy" is registered as the `write_functional_dummy` command. The `execute` method is the part that runs when the user calls the command, handling any options, preparing the output file for writing, and iterating over selected modules in the design. Since we don't have any options here, we set `argidx = 1` and call the `extra_args()` method. This method will read the command arguments, raising an error if there are any unexpected ones. It will also assign the pointer `f` to the output file, or `stdout` if none is given.

#### Note

For more on adding new commands to Yosys and how they work, refer to *Writing extensions*.

For this minimal example all we are doing is printing out each node. The `node.name()` method returns an `RTLIL::IdString`, which we convert for printing with `unescape()`. Then, to print the function of the node, we use `node.to_string()` which gives us a string of the form `function(args)`. The `function` part is the result of `Functional::IR::fn_to_string(node.fn())`; while `args` is the zero or more arguments passed to the function, most commonly the name of another node. Behind the scenes, the `node.to_string()` method actually wraps `node.visit(visitor)` with a private visitor whose return type is `std::string`.

Finally we iterate over the module's outputs and states, using `Functional::IROutput::value()` and `Functional::IRState::next_value()` respectively in order to get the results of the transfer function.

### Example: Adapting SMT-LIB backend for Rosette

This section will introduce the SMT-LIB functional backend (*write\_functional\_smt2*) and what changes are needed to work with another s-expression target, *Rosette* (*write\_functional\_rosette*).

#### Overview

Rosette is a solver-aided programming language that extends *Racket* with language constructs for program synthesis, verification, and more. To verify or synthesize code, Rosette compiles it to logical constraints solved with off-the-shelf *SMT* solvers.

—<https://emina.github.io/rosette/>

Rosette, being backed by *SMT* solvers and written with s-expressions, uses code very similar to the *write\_functional\_smt2* output. As a result, the SMT-LIB functional backend can be used as a starting point for implementing a Rosette backend.

Full code listings for the initial SMT-LIB backend and the converted Rosette backend are included in the Yosys source repository under `backends/functional` as `smtlib.cc` and `smtlib_rosette.cc` respectively. Note that the Rosette language is an extension of the *Racket* language; this guide tends to refer to *Racket* when talking about the underlying semantics/syntax of the language.

The major changes from the SMT-LIB backend are as follows:

- all of the `Smt` prefixes in names are replaced with `Smtr` to mean `smtlib_rosette`;

- syntax is adjusted for Racket;
- data structures for input/output/state are changed from using `declare-datatype` with statically typed fields, to using `struct` with no static typing;
- the transfer function also loses its static typing;
- sign/zero extension in Rosette use the output width instead of the number of extra bits, gaining static typing;
- the single scope is traded for a global scope with local scope for each struct;
- initial state is provided as a constant value instead of a set of assertions;
- and the `-provides` option is introduced to more easily use generated code within Rosette based applications.

## Scope

Our first addition to the *minimal backend* above is that for both SMT-LIB and Rosette backends, we are now targetting real languages which bring with them their own sets of constraints with what we can use as identifiers. This is where the `Functional::Scope` class described above comes in; by using this class we can safely rename our identifiers in the generated output without worrying about collisions or illegal names/characters.

In the SMT-LIB version, the `SmtScope` class implements `Scope<int>`; provides a constructor that iterates over a list of reserved keywords, calling `reserve` on each; and defines the `is_character_legal` method to reject any characters which are not allowed in SMT-LIB variable names to then be replaced with underscores in the output. To use this scope we create an instance of it, and call the `Scope::unique_name()` method to generate a unique and legal name for each of our identifiers.

In the Rosette version we update the list of legal ascii characters in the `is_character_legal` method to only those allowed in Racket variable names.

Listing 4.9: diff of `Scope` class

```
-struct SmtScope : public Functional::Scope<int> {
-    SmtScope() {
+struct SmtScope : public Functional::Scope<int> {
+    SmtScope() {
+        for(const char **p = reserved_keywords; *p != nullptr; p++)
+            reserve(*p);
+    }
+    bool is_character_legal(char c, int index) override {
-        return isascii(c) && (isalpha(c) || (isdigit(c) && index > 0) || strchr(
-↪ "~!@%~&*_-+=<>./", c));
+        return isascii(c) && (isalpha(c) || (isdigit(c) && index > 0) || strchr(
+↪ "@$%^&_+=. ", c));
+    }
+};
```

For the reserved keywords we trade the SMT-LIB specification for Racket to prevent parts of our design from accidentally being treated as Racket code. We also no longer need to reserve `pair`, `first`, and `second`. In *write\_functional\_smt2* these are used for combining the `(inputs, current_state)` and `(outputs, next_state)` into a single variable. Racket provides this functionality natively with `cons`, which we will see later.

Listing 4.10: diff of reserved\_keywords list

```

const char *reserved_keywords[] = {
- // reserved keywords from the smtlib spec
- ...
+ // reserved keywords from the racket spec
+ ...

  // reserved for our own purposes
- "pair", "Pair", "first", "second",
- "inputs", "state",
+ "inputs", "state", "name",
  nullptr
};

```

**Note**

We skip over the actual list of reserved keywords from both the smtlib and racket specifications to save on space in this document.

**Sort**

Next up in *write\_functional\_smt2* we see the Sort class. This is a wrapper for the `Functional::Sort` class, providing the additional functionality of mapping variable declarations to s-expressions with the `to_sexpr()` method. The main change from `SmtSort` to `SmtSort` is a syntactical one with signals represented as `bitvectors`, and memories as `lists` of signals.

Listing 4.11: diff of Sort wrapper

```

SEExpr to_sexpr() const {
    if(sort.is_memory()) {
-         return list("Array", list("_", "BitVec", sort.addr_width()),
+         return list("list", list("bitvector", sort.addr_width()), list(
-         list("_", "BitVec", sort.data_width()));
+         "bitvector", sort.data_width()));
    } else if(sort.is_signal()) {
-         return list("_", "BitVec", sort.width());
+         return list("bitvector", sort.width());
    } else {
        log_error("unknown sort");
    }
}

```

**Struct**

As we saw in the *minimal backend* above, the `Functional::IR` class tracks the set of inputs, the set of outputs, and the set of “state” variables. The SMT-LIB backend maps each of these sets into its own `SmtStruct`, with each variable getting a corresponding field in the struct and a specified `Sort`. *write\_functional\_smt2* then defines each of these structs as a new `datatype`, with each element being strongly-typed.

In Rosette, rather than defining new datatypes for our structs, we use the native `struct`. We also only declare each field by name because Racket provides less static typing. For ease of use, we provide the

expected type for each field as comments.

Listing 4.12: diff of `write_definition` method

```

void write_definition(SExprWriter &w) {
-     w.open(list("declare-datatype", name));
-     w.open(list());
-     w.open(list(name));
-     for(const auto &field : fields)
-         w << list(field.accessor, field.sort.to_sexpr());
-     w.close(3);
+     vector<SExpr> field_list;
+     for(const auto &field : fields) {
+         field_list.emplace_back(field.name);
+     }
+     w.push();
+     w.open(list("struct", name, field_list, "#:transparent"));
+     if (field_names.size()) {
+         for (const auto &field : fields) {
+             auto bv_type = field.sort.to_sexpr();
+             w.comment(field.name + " " + bv_type.to_string());
+         }
+     }
+     w.pop();
}

```

Each field is added to the `SmtStruct` with the `insert` method, which also reserves a unique name (or accessor) within the `Scope`. These accessors combine the struct name and field name and are globally unique, being used in the `access` method for reading values from the input/current state.

Listing 4.13: `Struct::access()` method

```

SExpr access(SExpr record, IdString name) {
    size_t i = field_names.at(name);
    return list(fields[i].accessor, std::move(record));
}

```

In Rosette, struct fields are accessed as `<struct_name>-<field_name>` so including the struct name in the field name would be redundant. For `write_functional_rosette` we instead choose to make field names unique only within the struct, while accessors are unique across the whole module. We thus modify the class constructor and `insert` method to support this; providing one scope that is local to the struct (`local_scope`) and one which is shared across the whole module (`global_scope`), leaving the `access` method unchanged.

Listing 4.14: diff of struct constructor

```

-     SmtStruct(std::string name, SmtScope &scope) : scope(scope), name(name) {}
-     void insert(IdString field_name, SmtSort sort) {
+     SmtrStruct(std::string name, SmtrScope &scope) : global_scope(scope), local_
+ ↪scope(), name(name) {}
+     void insert(IdString field_name, SmtrSort sort) {
        field_names(field_name);
-         auto accessor = scope.unique_name("\\\" + name + "_" + field_name.
+ ↪unescape());
-         fields.emplace_back(Field{sort, accessor});

```

(continues on next page)

(continued from previous page)

```

+         auto base_name = local_scope.unique_name(field_name);
+         auto accessor = name + "-" + base_name;
+         global_scope.reserve(accessor);
+         fields.emplace_back(Field{sort, accessor, base_name});
    }

```

Finally, `SmtStruct` also provides a `write_value` template method which calls a provided function on each element in the struct. This is used later for assigning values to the output/next state pair. The only change here is to remove the check for zero-argument constructors since this is not necessary with Rosette structs.

Listing 4.15: diff of `write_value` method

```

    template<typename Fn> void write_value(SExprWriter &w, Fn fn) {
-         if(field_names.empty()) {
-             // Zero-argument constructors in SMTLIB must not be called as
-             ↪functions.
-             w << name;
-         } else {
-             w.open(list(name));
-             for(auto field_name : field_names) {
-                 w << fn(field_name);
-                 w.comment(field_name.unescape(), true);
-             }
-             w.close();
+         w.open(list(name));
+         for(auto field_name : field_names) {
+             w << fn(field_name);
+             w.comment(field_name.unescape(), true);
        }
+         w.close();
    }
}

```

## PrintVisitor

Remember in the *minimal backend* we converted nodes into strings for writing using the `node.to_string()` method, which wrapped `node.visit()` with a private visitor. We now want a custom visitor which can convert nodes into s-expressions. This is where the `PrintVisitor` comes in, implementing the abstract `Functional::AbstractVisitor` class with a return type of `SExpr`. For most functions, the Rosette output is very similar to the corresponding SMT-LIB function with minor adjustments for syntax.

Listing 4.16: portion of `Functional::AbstractVisitor` implementation diff showing similarities

```

    SExpr logical_shift_left(Node, Node a, Node b) override { return list("bvshl",
- ↪n(a), extend(n(b), b.width(), a.width())); }
    SExpr logical_shift_right(Node, Node a, Node b) override { return list("bvlsr",
- ↪n(a), extend(n(b), b.width(), a.width())); }
    SExpr arithmetic_shift_right(Node, Node a, Node b) override { return list("bvashr
- ↪", n(a), extend(n(b), b.width(), a.width())); }
-     SExpr mux(Node, Node a, Node b, Node s) override { return list("ite", to_
- ↪bool(n(s)), n(b), n(a)); }
-     SExpr constant(Node, RTLIL::Const const &value) override { return smt_

```

(continues on next page)

(continued from previous page)

```

↳const(value); }
-     SExpr memory_read(Node, Node mem, Node addr) override { return list("select",
↳n(mem), n(addr)); }
-     SExpr memory_write(Node, Node mem, Node addr, Node data) override { return list(
↳"store", n(mem), n(addr), n(data)); }
+     SExpr mux(Node, Node a, Node b, Node s) override { return list("if", to_
↳bool(n(s)), n(b), n(a)); }
+     SExpr constant(Node, RTLIL::Const const& value) override { return list("bv",
↳smt_const(value), value.size()); }
+     SExpr memory_read(Node, Node mem, Node addr) override { return list("list-ref-bv
↳", n(mem), n(addr)); }
+     SExpr memory_write(Node, Node mem, Node addr, Node data) override { return list(
↳"list-set-bv", n(mem), n(addr), n(data)); }

```

However there are some differences in the two formats with regards to how booleans are handled, with Rosette providing built-in functions for conversion.

Listing 4.17: portion of `Functional::AbstractVisitor` implementation diff showing differences

```

SExpr from_bool(SExpr &&arg) {
-     return list("ite", std::move(arg), "#b1", "#b0");
+     return list("bool->bitvector", std::move(arg));
}
SExpr to_bool(SExpr &&arg) {
-     return list("=", std::move(arg), "#b1");
+     return list("bitvector->bool", std::move(arg));
}

```

Of note here is the rare instance of the Rosette implementation *gaining* static typing rather than losing it. Where SMT\_LIB calls zero/sign extension with the number of extra bits needed (given by `out_width - a.width()`), Rosette instead specifies the type of the output (given by `list("bitvector", out_width)`).

Listing 4.18: zero/sign extension implementation diff

```

-     SExpr zero_extend(Node, Node a, int out_width) override { return list(list("_",
↳"zero_extend", out_width - a.width()), n(a)); }
-     SExpr sign_extend(Node, Node a, int out_width) override { return list(list("_",
↳"sign_extend", out_width - a.width()), n(a)); }
+     SExpr zero_extend(Node, Node a, int out_width) override { return list("zero-
↳extend", n(a), list("bitvector", out_width)); }
+     SExpr sign_extend(Node, Node a, int out_width) override { return list("sign-
↳extend", n(a), list("bitvector", out_width)); }

```

**Note**

Be sure to check the source code for the full list of differences here.

**Module**

With most of the supporting classes out of the way, we now reach our three main steps from the *minimal backend*. These are all handled by the `SmtModule` class, with the mapping from RTLIL module to FunctionalIR happening in the constructor. Each of the three `SmtStructs`; inputs, outputs, and state; are also created in the constructor, with each value in the corresponding lists in the IR being inserted.

Listing 4.19: SmtModule constructor

```

SmtModule(Module *module)
    : ir(Functional::IR::from_module(module))
    , scope()
    , name(scope.unique_name(module->name))
    , input_struct(scope.unique_name(module->name.str() + "_Inputs"), scope)
    , output_struct(scope.unique_name(module->name.str() + "_Outputs"),
↳scope)
    , state_struct(scope.unique_name(module->name.str() + "_State"), scope)
    {
    scope.reserve(name + "-initial");
    for (auto input : ir.inputs())
        input_struct.insert(input->name, input->sort);
    for (auto output : ir.outputs())
        output_struct.insert(output->name, output->sort);
    for (auto state : ir.states())
        state_struct.insert(state->name, state->sort);
    }

```

Since Racket uses the `-` to access struct fields, the `SmtModule` instead uses an underscore for the name of the initial state.

Listing 4.20: diff of Module constructor

```

-         scope.reserve(name + "-initial");
+         scope.reserve(name + "_initial");
+         if (assoc_list_helpers) {
+             input_helper_name = scope.unique_name(module->name.str() + "_
↳inputs_helper");
+             scope.reserve(*input_helper_name);
+             output_helper_name = scope.unique_name(module->name.str() + "_
↳outputs_helper");
+             scope.reserve(*output_helper_name);
+         }

```

The `write` method is then responsible for writing the FunctionalIR to the output file, formatted for the corresponding backend. `SmtModule::write()` breaks the output file down into four parts: defining the three structs, declaring the `pair` datatype, defining the transfer function `(inputs, current_state) -> (outputs, next_state)` with `write_eval`, and declaring the initial state with `write_initial`. The only change for the `SmtModule` is that the `pair` declaration isn't needed.

Listing 4.21: diff of Module::write() method

```

void write(std::ostream &out)
{
    SExprWriter w(out);

    input_struct.write_definition(w);
    output_struct.write_definition(w);
    state_struct.write_definition(w);

-     w << list("declare-datatypes",
-             list(list("Pair", 2)),
-             list(list("par", list("X", "Y"), list(list("pair", list("first",
↪ "X"), list("second", "Y")))))));
-
+     if (use_assoc_list_helpers) {
+         write_assoc_list_helpers(w);
+     }

```

The `write_eval` method is where the FunctionalIR nodes, outputs, and next state are handled. Just as with the *minimal backend*, we iterate over the nodes with `for(auto n : ir)`, and then use the `Struct::write_value()` method for the `output_struct` and `state_struct` to iterate over the outputs and next state respectively.

Listing 4.22: iterating over FunctionalIR nodes in SmtModule::write\_eval()

```

for(auto n : ir)
    if(!inlined(n)) {
        w.open(list("let", list(list(node_to_sexpr(n), n.
↪visit(visitor))), false);
        w.comment(SmtSort(n.sort()).to_sexpr().to_string(),
↪true);
    }

```

The main differences between our two backends here are syntactical. First we change the `define-fun` for the Racket style `define` which drops the explicitly typed inputs/outputs. And then we change the final result from a `pair` to the native `cons` which acts in much the same way, returning both the `outputs` and the `next_state` in a single variable.

Listing 4.23: diff of Module::write\_eval() transfer function declaration

```

-     w.open(list("define-fun", name,
-             list(list("inputs", input_struct.name),
-                 list("state", state_struct.name)),
-             list("Pair", output_struct.name, state_struct.name)));
+     w.open(list("define", list(name, "inputs", "state")));

```

Listing 4.24: diff of output/next state handling Module::write\_eval()

```

-     w.open(list("pair"));

```

(continues on next page)

(continued from previous page)

```

+         w.open(list("cons"));
            output_struct.write_value(w, [&](IdString name) { return node_to_
↪sexpr(ir.output(name).value()); });
            state_struct.write_value(w, [&](IdString name) { return node_to_sexpr(ir.
↪state(name).next_value()); });
            w.pop();

```

For the `write_initial` method, the SMT-LIB backend uses `declare-const` and `asserts` which must always hold true. For Rosette we instead define the initial state as any other variable that can be used by external code. This variable, `[name]_initial`, can then be used in the `[name]` function call; allowing the Rosette code to be used in the generation of the `next_state`, whereas the SMT-LIB code can only verify that a given `next_state` is correct.

Listing 4.25: diff of `Module::write_initial()` method

```

void write_initial(SExprWriter &w)
{
-         std::string initial = name + "-initial";
-         w << list("declare-const", initial, state_struct.name);
+         w.push();
+         auto initial = name + "_initial";
+         w.open(list("define", initial));
+         w.open(list(state_struct.name));
    for (auto state : ir.states()) {
-         if(state->sort.is_signal())
-             w << list("assert", list("=", state_struct.
↪access(initial, state->name), smt_const(state->initial_value_signal())));
-         else if(state->sort.is_memory() {
+         if (state->sort.is_signal())
+             w << list("bv", smt_const(state->initial_value_
↪signal()), state->sort.width());
+         else if (state->sort.is_memory() {
            const auto &contents = state->initial_value_memory();
+             w.open(list("list"));
            for(int i = 0; i < 1<<state->sort.addr_width(); i++) {
-                 auto addr = smt_const(RTLIL::Const(i, state->
↪sort.addr_width()));
-                 w << list("assert", list("=", list("select",
↪state_struct.access(initial, state->name), addr), smt_const(contents[i])));
+                 w << list("bv", smt_const(contents[i]), state->
↪sort.data_width());
            }
+             w.close();
        }
    }
+     w.pop();
+ }
+

```

## Backend

The final part is the `Backend` itself, with much of the same boiler plate as the *minimal backend*. The main difference is that we use the *Module* to perform the actual processing.

Listing 4.26: The `FunctionalSmtBackend`

```

struct FunctionalSmtBackend : public Backend {
    FunctionalSmtBackend() : Backend("functional_smt2", "Generate SMT-LIB from
↳Functional IR") {}

    void help() override { log("\nFunctional SMT Backend.\n\n"); }

    void execute(std::ostream &f, std::string filename, std::vector<std::string>
↳args, RTLIL::Design *design) override
    {
        log_header(design, "Executing Functional SMT Backend.\n");

        size_t argidx = 1;
        extra_args(f, filename, args, argidx, design);

        for (auto module : design->selected_modules()) {
            log("Processing module `%s`.\n", module->name);
            SmtModule smt(module);
            smt.write(*f);
        }
    }
} FunctionalSmtBackend;

```

There are two additions here for Rosette. The first is that the output file needs to start with the `#lang` definition which tells the compiler/interpreter that we want to use the Rosette language module. The second is that the `write_functional_rosette` command takes an optional argument, `-provides`. If this argument is given, then the output file gets an additional line declaring that everything in the file should be exported for use; allowing the file to be treated as a Racket package with structs and mapping function available for use externally.

Listing 4.27: relevant portion of diff of `Backend::execute()` method

```

+         *f << "#lang rosette/safe\n";
+         if (provides) {
+             *f << "(provide (all-defined-out))\n";
+         }

```

### 4.3.4 Identifying the root cause of bugs

This document references Yosys internals and is intended for people interested in solving or investigating Yosys bugs. This also applies if you are using a fuzzing tool; fuzzers have a tendency to find many variations of the same bug, so identifying the root cause is important for avoiding issue spam.

If you're familiar with C/C++, you might try to have a look at the source code of the command that's failing. Even if you can't fix the problem yourself, it can be very helpful for anyone else investigating if you're able to identify where the issue is arising.

## Finding the failing command

Using the `-L` flag can help here, allowing you to specify a file to log to, such as `yosys -L out.log -s script.js`. Most commands will print a header message when they begin; something like 2.48. Executing `HIERARCHY` pass (managing design hierarchy). The last header message will usually be the failing command. There are some commands which don't print a header message, so you may want to add `echo` on to the start of your script. The `echo` command echoes each command executed, along with any arguments given to it. For the `hierarchy` example above this might be `yosys> hierarchy -check`.

### Note

It may also be helpful to use the `log` command to add messages which you can then search for either in the terminal or the logfile. This can be quite useful if your script contains script-passes, like the *Synth commands*, which call many sub-commands and you're not sure exactly which script-pass is calling the failing command.

## Minimizing scripts

### Warning

This section is intended as **advanced usage**, and generally not necessary for normal bug reports.

If you're using a command line prompt, such as `yosys -p 'synth_xilinx' -o design.json design.v`, consider converting it to a script. It's generally much easier to iterate over changes to a script in a file rather than one on the command line, as well as being better for sharing with others.

Listing 4.28: example script, `script.js`, for prompt `yosys -p 'synth_xilinx' -o design.json design.v`

```
read_verilog design.v
synth_xilinx
write_json design.json
```

Next up you want to remove everything *after* the error occurs. If your final command calls sub-commands, replace it with its contents first. In the case of the *Synth commands*, as well as certain other script-passes, you can use the `-run` option to simplify this. For example we can replace `synth -top <top> -lut` with the *example replacement script for synth command*. The options `-top <top> -lut` can be provided to each *synth* step, or to just the step(s) where it is relevant, as done here.

Listing 4.29: example replacement script for *synth* command

```
synth -top <top> -run :coarse
synth -lut -run coarse:fine
synth -lut -run fine:check
synth -run check:
```

Say we ran *example replacement script for synth command* and were able to remove the `synth -run check:` and still got our error, then we check the log and we see the last thing before the error was 7.2. Executing `MEMORY_MAP` pass (converting memories to logic and flip-flops). By checking the output of `yosys -h synth` (or the *synth* help page) we can see that the *memory\_map* pass is called in the `fine` step. We can then update our script to the following:

Listing 4.30: example replacement script for `synth` when `memory_map` is failing

```
synth -top <top> -run :fine
opt -fast -full
memory_map
```

By giving `synth` the option `-run :fine`, we are telling it to run from the beginning of the script until the `fine` step, where we then give it the exact commands to run. There are some cases where the commands given in the help output are not an exact match for what is being run, but are instead a simplification. If you find that replacing the script-pass with its contents causes the error to disappear, or change, try calling the script-pass with `echo on` to see exactly what commands are being called and what options are used.

### Warning

Before continuing further, *back up your code*. The following steps can remove context and lead to over-minimizing scripts, hiding underlying issues. Check out [Why context matters](#) to learn more.

When a problem is occurring many steps into a script, minimizing the design at the start of the script isn't always enough to identify the cause of the issue. Each extra step of the script can lead to larger sections of the input design being needed for the specific problem to be preserved until it causes a crash. So to find the smallest possible reproducer it can sometimes be helpful to remove commands prior to the failure point.

The simplest way to do this is by writing out the design, resetting the current state, and reading back the design:

```
write_rtlil <design.il>; design -reset; read_rtlil <design.il>;
```

In most cases, this can be inserted immediately before the failing command while still producing the error, allowing you to *minimize your RTLIL* with the `<design.il>` output. For our previous example with `memory_map`, if *resetting the design immediately before failure* still gives the same error, then we should now be able to call `yosys design.il -p 'memory_map'` to reproduce it.

Listing 4.31: resetting the design immediately before failure

```
synth -top <top> -run :fine
opt -fast -full
write_rtlil design.il; design -reset; read_rtlil design.il;
memory_map
```

If that doesn't give the error (or doesn't give the same error), then you should try to move the write/reset/read earlier in the script until it does. If you have no idea where exactly you should put the reset, the best way is to use a “binary search” type approach, reducing the possible options by half after each attempt.

### Note

By default, `write_rtlil` doesn't include platform specific IP blocks and other primitive cell models which are typically loaded with a `read_verilog -lib` command at the start of the synthesis script. You may have to duplicate these commands *after* the call to `design -reset`. It is also possible to write out *everything* with `select =*`; `write_rtlil -selected <design.il>`.

As an example, your script has 16 commands in it before failing on the 17th. If resetting immediately before

the 17th doesn't reproduce the error, try between the 8th and 9th (8 is half of the total 16). If that produces the error then you can remove everything before the `read_rtlil` and try reset again in the middle of what's left, making sure to use a different name for the output file so that you don't overwrite what you've already got. If the error isn't produced then you need to go earlier still, so in this case you would do between the 4th and 5th (4 is half of the previous 8). Repeat this until you can't reduce the remaining commands any further.

A more conservative, but more involved, method is to remove or comment out commands prior to the failing command. Each command, or group of commands, can be disabled one at a time while checking if the error still occurs, eventually giving the smallest subset of commands needed to take the original input through to the error. The difficulty with this method is that depending on your design, some commands may be necessary even if they aren't needed to reproduce the error. For example, if your design includes `process` blocks, many commands will fail unless you run the `proc` command. While this approach can do a better job of maintaining context, it is often easier to *recover* the context after the design has been minimized for producing the error. For more on recovering context, checkout [Why context matters](#).

### Why context matters

Sometimes when a command is raising an error, you're seeing a symptom rather than the underlying issue. It's possible that an earlier command may be putting the design in an invalid state, which isn't picked up until the error is raised. This is particularly true for the pre-packaged *Synth commands*, which rely on a combination of generic and architecture specific passes. As new features are added to Yosys and more designs are supported, the types of cells output by a pass can grow and change; and sometimes this leads to a mismatch in what a pass is intended to handle.

If you minimized your script, and removed commands prior to the failure to get a smaller reproducer, try to work backwards and find which commands may have contributed to the design failing. From the minimized design you should have some understanding of the cell or cells which are producing the error; but where did those cells come from? The name and/or type of the cell can often point you in the right direction:

```
# internal cell types start with a $
# lowercase for word-level, uppercase for bit-level
$and
$_AND_

# cell types with $__ are typically intermediate cells used in techmapping
$__MUL16X16

# cell types without a $ are either user-defined or architecture specific
my_module
SB_MAC16

# object names might give you the name of the pass that created them
$procdff$1204
$memory\rom$rdmux[0][0][0]$a$1550

# or even the line number in the Yosys source
$auto$muxcover.cc:557:implement_best_cover$2152
$auto$alumacc.cc:495:replace_alu$1209
```

Try running the unminimized script and search the log for the names of the objects in your minimized design. In the case of cells you can also search for the type of the cell. Remember that calling `stat` will list all the types of cells currently used in the design, and `select -list =*` will list the names of all the current objects. You can add these commands to your script, or use an interactive terminal to run each command individually. Adding them to the script can be more repeatable, but if it takes a long time to run to the

point you're interested in then an interactive shell session can give you more flexibility once you reach that point. You can also add a call to the `shell` command at any point in a script to start an interactive session at a given point; allowing you to script any preparation steps, then come back once it's done.

### The `--dump-design` option

Yosys provides the `--dump-design` option (or `-P` for short) for dumping the design at specific steps of the script based on the log header. If the last step before an error is 7.2. Executing `MEMORY_MAP pass` (converting memories to logic and flip-flops), then calling Yosys with `--dump-design 7.2:bad.il` will save the design *before* this command runs, in the file `bad.il`.

It is also possible to use this option multiple times, e.g. `-P2:hierarchy.il -P7 -P7.2:bad.il`, to get multiple dumps in the same run. This can make it easier to follow the design through each step to find where certain cells or connections are coming from. `--dump-design ALL` is also allowed, writing out the design at each log header.

### A worked example

Say you did all the minimization and found that an error in `synth_xilinx` occurs when a call to `techmap -map +/xilinx/cells_map.v` with `MIN_MUX_INPUTS` defined parses a `$_MUX16_` with all inputs set to 1'x. You could fix the bug in `+/xilinx/cells_map.v`, but that might only solve this one case while leaving other problems that haven't been found yet. So you step through the original script, calling `stat` after each step to find when the `$_MUX16_` is added.

You find that the `$_MUX16_` is introduced by a call to `muxcover`, but all the inputs are defined, so calling `techmap` now works as expected. From running `bugpoint` with the failing `techmap` you know that the cell with index 2297 will fail, so you call `select top/*$2297` to limit to just that cell. This can then be saved with `design -save pre_bug` or `write_rtlil -selected pre_bug.il`, so that you don't have to re-run all the earlier steps to get back here.

Next you step through the remaining commands and call `dump` after each to find when the inputs are disconnected. You find that `opt -full` has optimized away portions of the circuit, leading to `opt_expr` setting the undriven mux inputs to x, but failing to remove the now unnecessary `$_MUX16_`. Now you've identified a problem in `opt_expr` that affects all of the wide muxes, and could happen in any synthesis flow, not just `synth_xilinx`.

#### See also

This example is taken from [YosysHQ/yosys#4590](#) and can be reproduced with a version of Yosys between 0.45 and 0.51.

## 4.3.5 Contributing to Yosys

### Reporting bugs

We fix well-reported bugs the fastest. A good bug report is an issue on the [issue tracker](#) and includes the following information:

#### Title

briefly describe the issue, for example:

techmap of wide mux with undefined inputs raises error during synth\_xilinx

- tells us what's happening ("raises error")
- gives the command affected (`techmap`)

- an overview of the input design (“wide mux with undefined inputs”)
- and some context where it was found (“during `synth_xilinx`”)

### Reproduction Steps

The reproduction steps should be a minimal, complete and verifiable example [MVCE](#). Providing an MVCE with your bug report drastically increases the likelihood that someone will be able to help resolve your issue. Make sure that your report input is free of any problems as reported by the `check` command. One way to minimize a design is to use the `bugpoint` command. You can learn more in the [how-to guide for bugpoint](#).

The reproduction steps are ideally a code-block (starting and ending with triple backquotes) containing the minimized design (Verilog or RTLIL), followed by a code-block containing the minimized yosys script OR a command line call to yosys with code-formatting (starting and ending with single backquotes).

```
min.v
```verilog
// minimized Verilog design
```

min.js
```
read_verilog min.v
# minimum sequence of commands to reproduce error
```

OR

`yosys -p ': minimum sequence of commands;' min.v`
```

Alternatively, you can provide a single code-block which includes the minimized design as a “here document” followed by the sequence of commands which reproduce the error

- see [Loading a design](#) for more on heredocs.

```
```
read_rtlil <<EOF
# minimized RTLIL design
EOF
# minimum sequence of commands
```
```

Don’t forget to mention:

- any important environment variables or command line options
- if the problem occurs for a range of values/designs, what is that range
- if you’re using an external tool, such as `valgrind`, to detect the issue, what version of that tool are you using and what options are you giving it

#### Warning

Please try to avoid the use of any external plugins/tools in the reproduction steps if they are not directly related to the issue being raised. This includes frontend plugins such as GHDL or slang; use `write_rtlil`

on the minimized design instead. This also includes tools which provide a wrapper around Yosys such as OpenLane; you should instead minimize your input and reproduction steps to just the Yosys part.

### Expected Behaviour

Describe what you'd expect to happen when we follow the reproduction steps if the bug was fixed.

If you have a similar design/script that doesn't give the error, include it here as a reference. If the bug is that an error *should* be raised but isn't, note if there are any other commands with similar error messages.

### Actual Behaviour

Describe what you actually see when you follow the reproduction steps.

This can include:

- any error messages
- any details relevant to the crash that were found with `--trace` or `--debug` flags
- the part of the source code that triggers the bug
  - if possible, use a permalink to the source on GitHub
  - you can browse the source repository for a certain commit with the failure and open the source file, select the relevant lines (click on the line number for the first relevant line, then while holding shift click on the line number for the last relevant line), click on the ... that appears and select "Copy permalink"
  - should look something like `https://github.com/YosysHQ/yosys/blob/<commit_hash>/path/to/file#L139-L147`
  - clicking on "Preview" should reveal a code block containing the lines of source specified, with a link to the source file at the given commit

### Additional Details

Anything else you think might be helpful or relevant when verifying or fixing the bug.

Once you have created the issue, any additional details can be added as a comment on that issue. You can include any additional context as to what you were doing when you first encountered the bug.

If this issue discovered through the use of a fuzzer, ALWAYS declare that. If you've minimized the script, consider including the *bugpoint* script you used, or the original script, for example:

```
Minimized with
...
read_verilog design.v
# original sequence of commands prior to error
bugpoint -script <failure.ys> -grep "<string>"
write_rtlil min.il
...

OR

Minimized from
`yosys -p ': original sequence of commands to produce error;' design.v`
```

If possible, it may also help to share the original un-minimized design. If the design is too big for a comment, consider turning it into a [Gist](#)

## Contributing code

### Code that matters

If you're adding complex functionality, or modifying core parts of Yosys, we highly recommend discussing your motivation and approach ahead of time on the [Discourse forum](#). Please, be as explicit and concrete as possible when explaining the motivation for what you're building. Additionally, if you do so on the forum first before you starting hacking away at C++, you might solve your problem without writing a single line of code!

PRs are considered for relevance, priority, and quality based on their descriptions first, code second.

Before you build or fix something, also search for existing [issues](#).

We have open [developer 'jour fixe' \(Dev JF\) meetings](#) where developers from YosysHQ and the community come together to discuss open issues and PRs. This is also a good place to talk to us about how to implement larger PRs.

### Making sense

Given enough effort, the behavior of any code can be figured out to any desired extent. However, the author of the code is by far in the best position to make this as easy as possible.

Yosys is a long-standing project and has accumulated a lot of C-style code that's not written to be read, just written to run. We improve this bit by bit when opportunities arise, but it is what it is. New additions are expected to be a lot cleaner.

The purpose and behavior of the code changed should be described clearly. Your change should contain exactly what it needs to match that description. This means:

- nothing more than that - no dead code, no undocumented features
- nothing missing - if something is partially built, that's fine, but you have to make that clear. For example, some passes only support some types of cells

Here are some software engineering approaches that help:

- Use abstraction to model the problem and hide details
  - Maximize the usage of types (structs over loose variables), not necessarily in an object-oriented way
  - Use functions, scopes, type aliases
- In new passes, make sure the logic behind how and why it works is actually provided in coherent comments, and that variable and type naming is consistent with the terms you use in the description.
- The logic of the implementation should be described in mathematical or algorithm theory terms. Correctness, termination, computational complexity. Make it clear if you're re-implementing a classic data structure for logic synthesis or graph traversal etc.
- There's various ways of traversing the design with use-def indices (for getting drivers and driven signals) available in Yosys. They have advantages and sometimes disadvantages. Prefer not re-implementing these
- Prefer references over pointers, and smart pointers over raw pointers
- Aggressively deduplicate code. Within functions, within passes, across passes, even against existing code

- Prefer declaring things `const`
- Prefer range-based for loops over C-style

### Common mistakes

- Deleting design objects invalidates iterators. Defer deletions or hold a copy of the list of pointers to design objects
- Deleting wires can get sketchy and is intended to be done solely by the `opt_clean` pass so just don't do it
- Iterating over an entire design and checking if things are selected is more inefficient than using the `selected_*` methods
- Remember to call `fixup_ports` at the end if you're modifying module interfaces

### Testing your change

Untested code can't be maintained. Inevitable codebase-wide changes are likely to break anything untested. Tests also help reviewers understand the purpose of the code change in practice.

Your code needs to come with tests. If it's a feature, a test that covers representative examples of the added behavior. If it's a bug fix, it should reproduce the original isolated bug. But in some situations, adding a test isn't viable. If you can't provide a test, explain this decision.

Prefer writing unit tests (`tests/unit`) for isolated tests to the internals of more serious code changes, like those to the core of Yosys, or more algorithmic ones.

The rest of the test suite is mostly based on running Yosys on various Yosys and Tcl scripts that manually call Yosys commands. See *Testing Yosys* for more information about how our test suite is structured. The basic test writing approach is checking for the presence of some kind of object or pattern with `-assert-count` in *Selections*.

It's often best to use equivalence checking with `equiv_opt -assert` or similar to prove that the changes done to the design by a modified pass preserve equivalence. But some code isn't meant to preserve equivalence. Sometimes proving equivalence takes an impractically long time for larger inputs. Also beware, the `equiv_*` passes are a bit quirky and might even have incorrect results in unusual situations.

### Coding style

Yosys is written in C++20.

In general Yosys uses `int` instead of `size_t`. To avoid compiler warnings for implicit type casts, always use `GetSize(foobar)` instead of `foobar.size()`. (`GetSize()` is defined in `kernel/yosys.h`)

For auto formatting code, a `.clang-format` file is present top-level. Yosys code is using tabs for indentation. A tab is 8 characters wide, but prefer not relying on it. A continuation of a statement in the following line is indented by two additional tabs. Lines are as long as you want them to be. A good rule of thumb is to break lines at about column 150. Opening braces can be put on the same or next line as the statement opening the block (if, switch, for, while, do). Put the opening brace on its own line for larger blocks, especially blocks that contains blank lines. Remove trailing whitespace on sight.

Otherwise stick to the [Linux Kernel Coding Style](#).

## Pull requests (PRs)

If you are working on something to add to Yosys, or fix something that isn't working quite right, make a [pull request \(PR\)](#).

An open PR, even as a draft, tells everyone that you're working on it and they don't have to. It can also be a useful way to solicit feedback on in-progress changes.

We use [labels](#) to help categorise issues and PRs. If a label seems relevant to your work, please do add it; this also includes the labels beginning with 'status-'. The 'merge-' labels are used by maintainers for tracking and communicating which PRs are ready and pending merge; please do not use these labels if you are not a maintainer.

## Git style

We don't have a strict commit message style.

Some style hints:

- Refactor and document existing code if you touch it, but in separate commits from your functional changes
- Prefer smaller commits organized by good chunks. Git has a lot of features like fixup commits, interactive rebase with autosquash

## Reviewing PRs

Reviewing PRs is a totally valid form of external contributing to the project!

## Who's the reviewer?

YosysHQ GmbH is a company with a mandate to make decisions for the good of YosysHQ open source software. It was co-founded by Claire Xenia Wolf, the original author of Yosys. Within it, we allocate reviews based on expertise with the topic at hand as well as member time constraints. However, decisions including reviews are also contributed by people external to the company.

If you're intimately acquainted with a part of the codebase, we will be happy to defer to your experience and have you review PRs. The official way we like is our CODEOWNERS file in the git repository. What we're looking for in code owners is activity and trust. For activity, if you're only interested in a yosys pass for example for the time you spend writing a thesis, it might be better to focus on writing good tests and docs in the PRs you submit rather than to commit to code ownership and therefore to be responsible for fixing things and reviewing other people's PRs at various unexpected points later. If you're prolific in some part of the codebase and not a code owner, we still value your experience and may tag you in PRs.

As a matter of fact, the purpose of code ownership is to avoid maintainer burnout by removing orphaned parts of the codebase. If you become a code owner and stop being responsive, in the future, we might decide to remove such code if convenient and costly to maintain. It's simply more respectful of the users' time to explicitly cut something out than let it "bitrot". Larger projects like LLVM or linux could not survive without such things, but Yosys is far smaller, and there are implicit expectations of stability we aim to respect within reason.

Sometimes, multiple maintainers may add review comments. This is considered healthy collaborative even if it might create disagreement at times. If somebody is already reviewing a PR, others, even non-maintainers are free to leave comments with extra observations and alternate perspectives in a collaborative spirit.

## How to review

First, read everything above about contributing. Those are the values you should gently enforce as a reviewer. They're ordered by importance, but explicitly, descriptions are more important than code, long-form comments describing the design are more important than piecemeal comments, etc.

If a PR is poorly described, incomplete, tests are broken, or if the author is not responding, please don't feel pressured to take over their role by reverse engineering the code or fixing things for them, unless there are good reasons to do so.

If a PR author submits LLM outputs they haven't understood themselves, they will not be able to implement feedback. Take this into consideration as well. We do not ban LLM code from the codebase, we ban bad code.

Reviewers may have diverse styles of communication while reviewing - one may do one thorough review, another may prefer a back and forth with the basics out the way before digging into the code. Generally, PRs may have several requests for modifications and long discussions, but often they just are good enough to merge as-is.

The CI is required to go green for merging. New contributors need a CI run to be triggered by a maintainer before their PRs take up computing resources. It's a single click from the github web interface. We test on various platforms and compilers. Sanitizer builds are only tested on the main branch.

### 4.3.6 Testing Yosys

#### Todo

adding tests (makefile-tests vs seed-tests)

#### Running the included test suite

The Yosys source comes with a test suite to avoid regressions and keep everything working as expected. Tests can be run by calling `make test` from the root Yosys directory. By default, this runs vanilla and unit tests.

#### Vanilla tests

These make up the majority of our testing coverage. They can be run with `make vanilla-test` and are based on calls to make subcommands (`make makefile-tests`) and shell scripts (`make seed-tests` and `make abcopt-tests`). Both use `run-test.sh` files, but make-based tests only call `tests/gen-tests-makefile.sh` to generate a makefile appropriate for the given directory, so only afterwards when make is invoked do the tests actually run.

Usually their structure looks something like this: you write a `.ys` file that gets automatically run, which runs a frontend like `read_verilog` or `read_rtlil` with a relative path or a heredoc, then runs some commands including the command under test, and then uses *Selections* with `-assert-count`. Usually it's unnecessary to "register" the test anywhere as if it's being added to an existing directory, depending on how the `run-test.sh` in that directory works.

#### Unit tests

Running the unit tests requires the following additional packages:

```
sudo apt-get install libgtest-dev
```

No additional requirements.

Unit tests can be run with `make unit-test`.

### Functional tests

Testing functional backends (see *Writing a new backend using FunctionalIR*) has a few requirements in addition to those listed in *Build prerequisites*:

```
sudo apt-get install racket
raco pkg install rosette
pip install pytest-xdist pytest-xdist-gnumake
```

```
brew install racket
raco pkg install rosette
pip install pytest-xdist pytest-xdist-gnumake
```

If you don't have one of the *CAD suite(s)* installed, you should also install *Z3* following their instructions.

Then, set the `ENABLE_FUNCTIONAL_TESTS` make variable when calling `make test` and the functional tests will be run as well.

### Docs tests

There are some additional tests for checking examples included in the documentation, which can be run by calling `make test` from the `yosys/docs` sub-directory (or `make -C docs test` from the root). This also includes checking some macro commands to ensure that descriptions of them are kept up to date, and is mostly intended for CI.

### Automatic testing

The Yosys Git repo has automatic testing of builds and running of the included test suite on both Ubuntu and macOS, as well as across range of compiler versions. For up to date information, including OS versions, refer to the [git actions](#) page.


## 4.4 Techmap by example

As a quick recap, the *techmap* command replaces cells in the design with implementations given as Verilog code (called “map files”). It can replace Yosys' internal cell types (such as *\$or*) as well as user-defined cell types.

- Verilog parameters are used extensively to customize the internal cell types.
- Additional special parameters are used by techmap to communicate meta-data to the map files.
- Special wires are used to instruct techmap how to handle a module in the map file.
- Generate blocks and recursion are powerful tools for writing map files.

Code examples used in this document are included in the Yosys code base under `docs/source/code_examples/techmap`.

### 4.4.1 Mapping OR3X1

 **Todo**

add/expand supporting text

 **Note**

This is a simple example for demonstration only. Techmap shouldn't be used to implement basic logic optimization.

Listing 4.32: red\_or3x1\_map.v

```

module \${reduce_or} (A, Y);

    parameter A_SIGNED = 0;
    parameter A_WIDTH = 0;
    parameter Y_WIDTH = 0;

    input [A_WIDTH-1:0] A;
    output [Y_WIDTH-1:0] Y;

    function integer min;
        input integer a, b;
        begin
            if (a < b)
                min = a;
            else
                min = b;
        end
    endfunction

    genvar i;
    generate begin
        if (A_WIDTH == 0) begin
            assign Y = 0;
        end
        if (A_WIDTH == 1) begin
            assign Y = A;
        end
        if (A_WIDTH == 2) begin
            wire ybuf;
            OR3X1 g (.A(A[0]), .B(A[1]), .C(1'b0), .Y(ybuf));
            assign Y = ybuf;
        end
        if (A_WIDTH == 3) begin
            wire ybuf;
            OR3X1 g (.A(A[0]), .B(A[1]), .C(A[2]), .Y(ybuf));
            assign Y = ybuf;
        end
        if (A_WIDTH > 3) begin
            localparam next_stage_sz = (A_WIDTH+2) / 3;

```

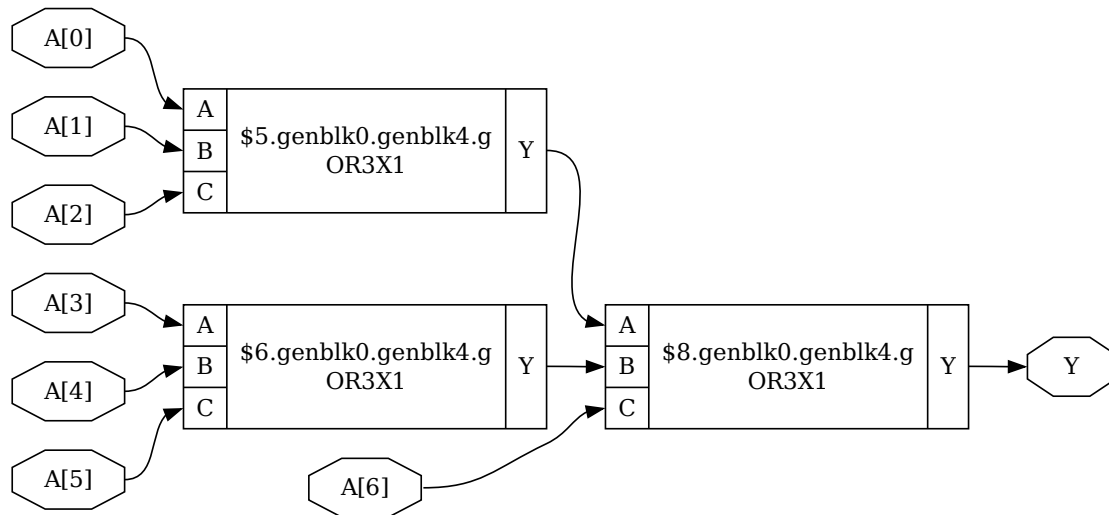
(continues on next page)

(continued from previous page)

```

wire [next_stage_sz-1:0] next_stage;
for (i = 0; i < next_stage_sz; i = i+1) begin
    localparam bits = min(A_WIDTH - 3*i, 3);
    assign next_stage[i] = |A[3*i +: bits];
end
assign Y = |next_stage;
end
end generate
endmodule

```



Listing 4.33: red\_or3x1\_test.y

```

read_verilog red_or3x1_test.v
hierarchy -check -top test

techmap -map red_or3x1_map.v;;

splitnets -ports
show -prefix red_or3x1 -format dot -notitle -lib red_or3x1_cells.v

```

Listing 4.34: red\_or3x1\_test.v

```

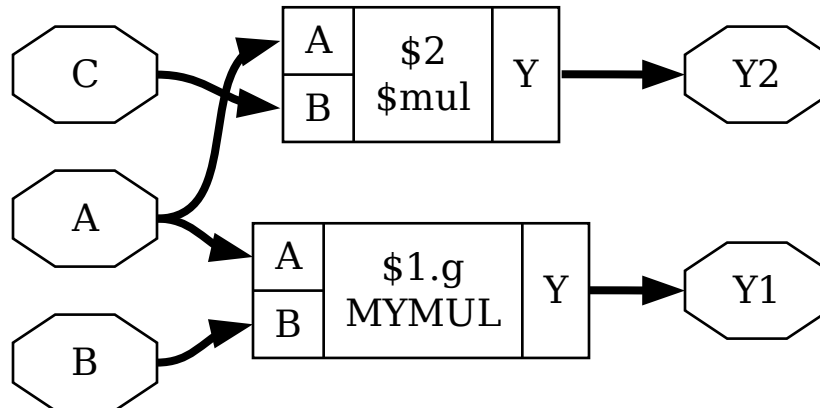
module test (A, Y);
  input [6:0] A;
  output Y;
  assign Y = |A;
endmodule

```

#### 4.4.2 Conditional techmap

- In some cases only cells with certain properties should be substituted.
- The special wire `_TECHMAP_FAIL_` can be used to disable a module in the map file for a certain set of parameters.
- The wire `_TECHMAP_FAIL_` must be set to a constant value. If it is non-zero then the module is disabled for this set of parameters.
- Example use-cases:
  - coarse-grain cell types that only operate on certain bit widths
  - memory resources for different memory geometries (width, depth, ports, etc.)

Example:



Listing 4.35: sym\_mul\_map.v

```

module \ $mul (A, B, Y);
  parameter A_SIGNED = 0;
  parameter B_SIGNED = 0;
  parameter A_WIDTH = 1;
  parameter B_WIDTH = 1;
  parameter Y_WIDTH = 1;

```

(continues on next page)

(continued from previous page)

```

input [A_WIDTH-1:0] A;
input [B_WIDTH-1:0] B;
output [Y_WIDTH-1:0] Y;

wire _TECHMAP_FAIL_ = A_WIDTH != B_WIDTH || B_WIDTH != Y_WIDTH;

MYMUL #( .WIDTH(Y_WIDTH) ) g ( .A(A), .B(B), .Y(Y) );
endmodule

```

Listing 4.36: sym\_mul\_test.v

```

module test(A, B, C, Y1, Y2);
input  [7:0] A, B, C;
output [7:0] Y1 = A * B;
output [15:0] Y2 = A * C;
endmodule

```

Listing 4.37: sym\_mul\_test.yo

```

read_verilog sym_mul_test.v
hierarchy -check -top test

techmap -map sym_mul_map.v;;

show -prefix sym_mul -format dot -notitle -lib sym_mul_cells.v

```

### 4.4.3 Scripting in map modules

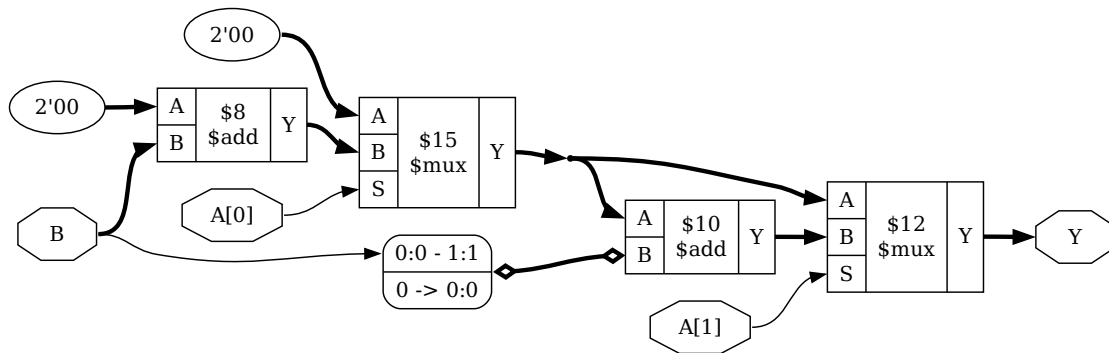
- The special wires `_TECHMAP_DO_*` can be used to run Yosys scripts in the context of the replacement module.
- The wire that comes first in alphabetical order is interpreted as string (must be connected to constants) that is executed as script. Then the wire is removed. Repeat.
- You can even call `techmap` recursively!
- Example use-cases:
  - Using always blocks in map module: call *proc*
  - Perform expensive optimizations (such as *freduce*) on cells where this is known to work well.
  - Interacting with custom commands.

#### Note

PROTIP:

Commands such as *shell*, `show -pause`, and *dump* can be used in the `_TECHMAP_DO_*` scripts for debugging map modules.

Example:



Listing 4.38: mymul\_map.v

```

module MYMUL(A, B, Y);
  parameter WIDTH = 1;
  input [WIDTH-1:0] A, B;
  output reg [WIDTH-1:0] Y;

  wire [1023:0] _TECHMAP_DO_ = "proc; clean";

  integer i;
  always @* begin
    Y = 0;
    for (i = 0; i < WIDTH; i=i+1)
      if (A[i])
        Y = Y + (B << i);
  end
endmodule

```

Listing 4.39: mymul\_test.v

```

module test(A, B, Y);
  input [1:0] A, B;
  output [1:0] Y = A * B;
endmodule

```

Listing 4.40: mymul\_test.yo

```

read_verilog mymul_test.v
hierarchy -check -top test

techmap -map sym_mul_map.v \
  -map mymul_map.v;;

rename test test_mapped
read_verilog mymul_test.v

```

(continues on next page)

(continued from previous page)

```

miter -equiv test test_mapped miter
flatten miter

sat -verify -prove trigger 0 miter

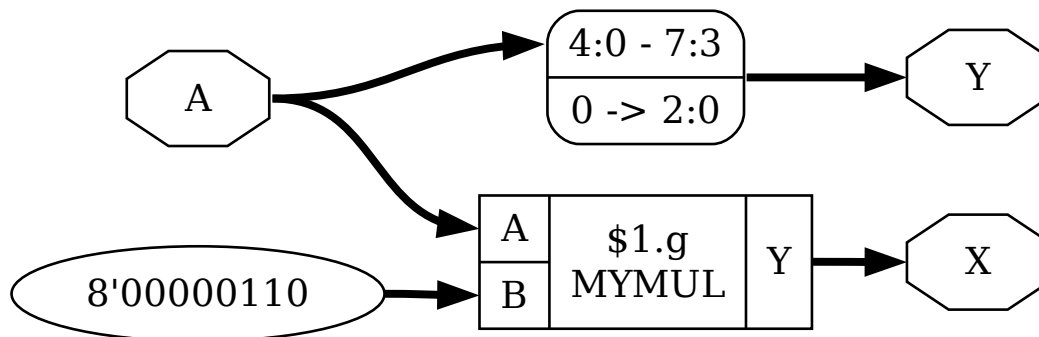
splitnets -ports test_mapped/A
show -prefix mymul -format dot -notitle test_mapped

```

#### 4.4.4 Handling constant inputs

- The special parameters `_TECHMAP_CONSTMSK_<port-name>` and `_TECHMAP_CONSTVAL_<port-name>` can be used to handle constant input values to cells.
- The former contains 1-bits for all constant input bits on the port.
- The latter contains the constant bits or undef (x) for non-constant bits.
- Example use-cases:
  - Converting arithmetic (for example multiply to shift).
  - Identify constant addresses or enable bits in memory interfaces.

Example:



Listing 4.41: mulshift\_map.v

```

module MYMUL(A, B, Y);
  parameter WIDTH = 1;
  input [WIDTH-1:0] A, B;
  output reg [WIDTH-1:0] Y;

  parameter _TECHMAP_CONSTVAL_A_ = WIDTH'bx;
  parameter _TECHMAP_CONSTVAL_B_ = WIDTH'bx;

  reg _TECHMAP_FAIL_;

```

(continues on next page)

(continued from previous page)

```

wire [1023:0] _TECHMAP_DO_ = "proc; clean";

integer i;
always @* begin
    _TECHMAP_FAIL_ <= 1;
    for (i = 0; i < WIDTH; i=i+1) begin
        if (_TECHMAP_CONSTVAL_A_ === WIDTH'd1 << i) begin
            _TECHMAP_FAIL_ <= 0;
            Y <= B << i;
        end
        if (_TECHMAP_CONSTVAL_B_ === WIDTH'd1 << i) begin
            _TECHMAP_FAIL_ <= 0;
            Y <= A << i;
        end
    end
end
endmodule

```

Listing 4.42: mulshift\_test.v

```

module test (A, X, Y);
input [7:0] A;
output [7:0] X = A * 8'd 6;
output [7:0] Y = A * 8'd 8;
endmodule

```

Listing 4.43: mulshift\_test.yo

```

read_verilog mulshift_test.v
hierarchy -check -top test

techmap -map sym_mul_map.v \
        -map mulshift_map.v;;

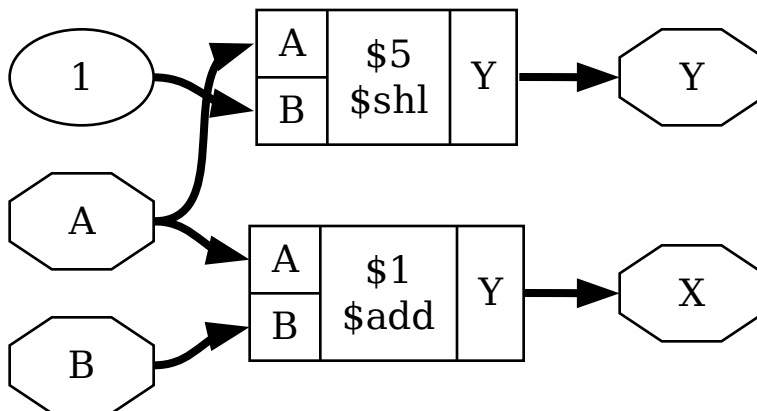
show -prefix mulshift -format dot -notitle -lib sym_mul_cells.v

```

#### 4.4.5 Handling shorted inputs

- The special parameters `_TECHMAP_BITS_CONNMAP_` and `_TECHMAP_CONNMAP_<port-name>_` can be used to handle shorted inputs.
- Each bit of the port correlates to an `_TECHMAP_BITS_CONNMAP_` bits wide number in `_TECHMAP_CONNMAP_<port-name>_`.
- Each unique signal bit is assigned its own number. Identical fields in the `_TECHMAP_CONNMAP_<port-name>_` parameters mean shorted signal bits.
- The numbers 0-3 are reserved for 0, 1, x, and z respectively.
- Example use-cases:
  - Detecting shared clock or control signals in memory interfaces.
  - In some cases this can be used for optimization.

Example:



Listing 4.44: addshift\_map.v

```

module \ $add (A, B, Y);
  parameter A_SIGNED = 0;
  parameter B_SIGNED = 0;
  parameter A_WIDTH = 1;
  parameter B_WIDTH = 1;
  parameter Y_WIDTH = 1;

  input [A_WIDTH-1:0] A;
  input [B_WIDTH-1:0] B;
  output [Y_WIDTH-1:0] Y;

  parameter _TECHMAP_BITS_CONNMAP_ = 0;
  parameter _TECHMAP_CONNMAP_A_ = 0;
  parameter _TECHMAP_CONNMAP_B_ = 0;

  wire _TECHMAP_FAIL_ = A_WIDTH != B_WIDTH || B_WIDTH < Y_WIDTH ||
    _TECHMAP_CONNMAP_A_ != _TECHMAP_CONNMAP_B_;

  assign Y = A << 1;
endmodule

```

Listing 4.45: addshift\_test.v

```

module test (A, B, X, Y);
  input [7:0] A, B;
  output [7:0] X = A + B;
  output [7:0] Y = A + A;
endmodule

```

Listing 4.46: addshift\_test.y

```
read_verilog addshift_test.v
hierarchy -check -top test

techmap -map addshift_map.v;;

show -prefix addshift -format dot -notitle
```

## 4.4.6 Notes on using techmap

- Don't use positional cell parameters in map modules.
- You can use the `$__-` prefix for internal cell types to avoid collisions with the user-namespace. But always use two underscores or the internal consistency checker will trigger on these cells.
- Techmap has two major use cases:
  - Creating good logic-level representation of arithmetic functions. This also means using dedicated hardware resources such as half- and full-adder cells in ASICs or dedicated carry logic in FPGAs.
  - Mapping of coarse-grain resources such as block memory or DSP cells.

## 4.5 Hashing and associative data structures in Yosys

### 4.5.1 Container classes based on hashing

Yosys uses `dict<K, T>` and `pool<T>` as main container classes. `dict<K, T>` is essentially a replacement for `std::unordered_map<K, T>` and `pool<T>` is a replacement for `std::unordered_set<T>`. The main characteristics are:

- **`dict<K, T>` and `pool<T>` are about 2x faster than the std containers**  
(though this claim hasn't been verified for over 10 years)
- **references to elements in a `dict<K, T>` or `pool<T>` are invalidated by insert and remove operations** (similar to `std::vector<T>` on `push_back()`).
- **some iterators are invalidated by `erase()`. specifically, iterators that have not passed the erased element yet are invalidated.** (`erase()` itself returns valid iterator to the next element.)
- **no iterators are invalidated by `insert()`. elements are inserted at `begin()`.** i.e. only a new iterator that starts at `begin()` will see the inserted elements.
- **the method `.count(key, iterator)` is like `.count(key)` but only considers elements that can be reached via the iterator.**
- **iterators can be compared. `it1 < it2` means that the position of `t2` can be reached via `t1` but not vice versa.**
- **the method `.sort()` can be used to sort the elements in the container** the container stays sorted until elements are added or removed.
- **`dict<K, T>` and `pool<T>` will have the same order of iteration across all compilers, standard libraries and architectures.**

In addition to `dict<K, T>` and `pool<T>` there is also an `idict<K>` that creates a bijective map from `K` to incrementing integers. For example:

```

idict<string, 42> si;
log("%d\n", si("hello"));      // will print 42
log("%d\n", si("world"));      // will print 43
log("%d\n", si.at("world"));   // will print 43
log("%d\n", si.at("dummy"));   // will throw exception
log("%s\n", si[42]);           // will print hello
log("%s\n", si[43]);           // will print world
log("%s\n", si[44]);           // will throw exception

```

It is not possible to remove elements from an idict.

Finally `mfp<K>` implements a merge-find set data structure (aka. disjoint-set or union-find) over the type `K` (“mfp” = merge-find-promote).

## 4.5.2 The hash function

The hash function generally used in Yosys is the XOR version of DJB2:

```
state = ((state << 5) + state) ^ value
```

This is an old-school hash designed to hash ASCII characters. Yosys doesn’t hash a lot of ASCII text, but it still happens to be a local optimum due to factors described later.

Hash function quality is multi-faceted and highly dependent on what is being hashed. Yosys isn’t concerned by any cryptographic qualities, instead the goal is minimizing total hashing collision risk given the data patterns within Yosys. In general, a good hash function typically folds values into a state accumulator with a mathematical function that is fast to compute and has some beneficial properties. One of these is the avalanche property, which demands that a small change such as flipping a bit or incrementing by one in the input produces a large, unpredictable change in the output. Additionally, the bit independence criterion states that any pair of output bits should change independently when any single input bit is inverted. These properties are important for avoiding hash collision on data patterns like the hash of a sequence not colliding with its permutation, not losing from the state the information added by hashing preceding elements, etc.

DJB2 lacks these properties. Instead, since Yosys hashes large numbers of data structures composed of incrementing integer IDs, Yosys abuses the predictability of DJB2 to get lower hash collisions, with regular nature of the hashes surviving through the interaction with the “modulo prime” operations in the associative data structures. For example, some most common objects in Yosys are interned `IdStrings` of incrementing indices or `SigBits` with bit offsets into wire (represented by its unique `IdString` name) as the typical case. This is what makes DJB2 a local optimum. Additionally, the ADD version of DJB2 (like above but with addition instead of XOR) is used to this end for some types, abandoning the general pattern of folding values into a state value.

## 4.5.3 Making a type hashable

Let’s first take a look at the external interface on a simplified level. Generally, to get the hash for `T obj`, you would call the utility function `run_hash<T>(const T& obj)`, corresponding to `hash_ops<T>::hash(obj)`, the default implementation of which uses `hash_ops<T>::hash_into(Hasher(), obj)`. `Hasher` is the class actually implementing the hash function, hiding its initialized internal state, and passing it out on `hash_t yield()` with perhaps some finalization steps.

`hash_ops<T>` is the star of the show. By default it pulls the `Hasher h` through a `Hasher T::hash_into(Hasher h)` method. That’s the method you have to implement to make a record (class or struct) type easily hashable with Yosys hashlib associative data structures.

`hash_ops<T>` is specialized for built-in types like `int` or `bool` and treats pointers the same as integers, so it doesn’t dereference pointers. Since many RTLIL data structures like `RTLIL::Wire` carry their own unique

index `Hasher::hash_t hashidx_`; there are specializations for `hash_ops<Wire*>` and others in `kernel/hashlib.h` that actually dereference the pointers and call `hash_into` on the instances pointed to.

`hash_ops<T>` is also specialized for simple compound types like `std::pair<U>` by calling `hash_into` in sequence on its members. For flexible size containers like `std::vector<U>` the size of the container is hashed first. That is also how implementing hashing for a custom record data type should be - unless there is strong reason to do otherwise, call `h.eat(m)` on the `Hasher h` you have received for each member in sequence and `return h`;

The `hash_ops<T>::hash(obj)` method is not intended to be called when context of implementing the hashing for a record or other compound type. When writing it, you should connect it to `hash_ops<T>::hash_into(Hasher h)` as shown below. If you have a strong reason to do so, and you have to create a special implementation for top-level hashing, look at how `hash_ops<RTLIL::SigBit>::hash(...)` is implemented in `kernel/rtlil.h`.

#### 4.5.4 Porting plugins from the legacy interface

Previously, the interface to implement hashing on custom types was just `unsigned int T::hash() const`. This meant hashes for members were computed independently and then ad-hoc combined with the hash function with some xorshift operations thrown in to mix bits together somewhat. A plugin can stay compatible with both versions prior and after the break by implementing both interfaces based on the existence and value of `YS_HASHING_VERSION`.

Listing 4.47: Example hash compatibility wrapper

```
#ifndef YS_HASHING_VERSION
unsigned int T::hash() const {
    return mkhash(a, b);
}
#elif YS_HASHING_VERSION == 1
Hasher T::hash_into(Hasher h) const {
    h.eat(a);
    h.eat(b);
    return h;
}
Hasher T::hash() const {
    Hasher h;
    h.eat(*this);
    return h;
}
#else
#error "Unsupported hashing interface"
#endif
```

Feel free to contact Yosys maintainers with related issues.

## A PRIMER ON DIGITAL CIRCUIT SYNTHESIS

This chapter contains a short introduction to the basic principles of digital circuit synthesis.

### 5.1 Levels of abstraction

Digital circuits can be represented at different levels of abstraction. During the design process a circuit is usually first specified using a higher level abstraction. Implementation can then be understood as finding a functionally equivalent representation at a lower abstraction level. When this is done automatically using software, the term synthesis is used.

So synthesis is the automatic conversion of a high-level representation of a circuit to a functionally equivalent low-level representation of a circuit. Figure 5.1 lists the different levels of abstraction and how they relate to different kinds of synthesis.

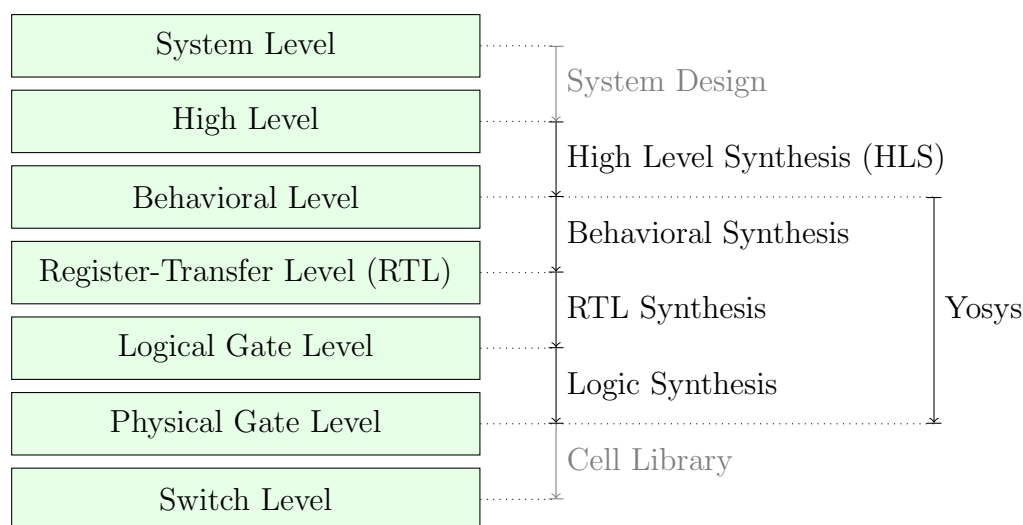


Fig. 5.1: Different levels of abstraction and synthesis.

Regardless of the way a lower level representation of a circuit is obtained (synthesis or manual design), the lower level representation is usually verified by comparing simulation results of the lower level and the higher level representation<sup>1</sup>. Therefore even if no synthesis is used, there must still be a simulatable representation of the circuit in all levels to allow for verification of the design.

Note: The exact meaning of terminology such as “High-Level” is of course not fixed over time. For example the HDL “ABEL” was first introduced in 1985 as “A High-Level Design Language for Programmable Logic

<sup>1</sup> In recent years formal equivalence checking also became an important verification method for validating RTL and lower abstraction representation of the design.

Devices” [LHBB85], but would not be considered a “High-Level Language” today.

### 5.1.1 System level

The System Level abstraction of a system only looks at its biggest building blocks like CPUs and computing cores. At this level the circuit is usually described using traditional programming languages like C/C++ or Matlab. Sometimes special software libraries are used that are aimed at simulation circuits on the system level, such as SystemC.

Usually no synthesis tools are used to automatically transform a system level representation of a circuit to a lower-level representation. But system level design tools exist that can be used to connect system level building blocks.

The IEEE 1685-2009 standard defines the IP-XACT file format that can be used to represent designs on the system level and building blocks that can be used in such system level designs. [A+10]

### 5.1.2 High level

The high-level abstraction of a system (sometimes referred to as algorithmic level) is also often represented using traditional programming languages, but with a reduced feature set. For example when representing a design at the high level abstraction in C, pointers can only be used to mimic concepts that can be found in hardware, such as memory interfaces. Full featured dynamic memory management is not allowed as it has no corresponding concept in digital circuits.

Tools exist to synthesize high level code (usually in the form of C/C++/SystemC code with additional metadata) to behavioural HDL code (usually in the form of Verilog or VHDL code). Aside from the many commercial tools for high level synthesis there are also a number of FOSS tools for high level synthesis.

### 5.1.3 Behavioural level

At the behavioural abstraction level a language aimed at hardware description such as Verilog or VHDL is used to describe the circuit, but so-called behavioural modelling is used in at least part of the circuit description. In behavioural modelling there must be a language feature that allows for imperative programming to be used to describe data paths and registers. This is the always-block in Verilog and the process-block in VHDL.

In behavioural modelling, code fragments are provided together with a sensitivity list; a list of signals and conditions. In simulation, the code fragment is executed whenever a signal in the sensitivity list changes its value or a condition in the sensitivity list is triggered. A synthesis tool must be able to transfer this representation into an appropriate datapath followed by the appropriate types of register.

For example consider the following Verilog code fragment:

```
1 always @(posedge clk)
2   y <= a + b;
```

In simulation the statement `y <= a + b` is executed whenever a positive edge on the signal `clk` is detected. The synthesis result however will contain an adder that calculates the sum `a + b` all the time, followed by a d-type flip-flop with the adder output on its D-input and the signal `y` on its Q-output.

Usually the imperative code fragments used in behavioural modelling can contain statements for conditional execution (`if`- and `case`-statements in Verilog) as well as loops, as long as those loops can be completely unrolled.

Interestingly there seems to be no other FOSS Tool that is capable of performing Verilog or VHDL behavioural syntheses besides Yosys.

### 5.1.4 Register-Transfer Level (RTL)

On the Register-Transfer Level the design is represented by combinatorial data paths and registers (usually d-type flip flops). The following Verilog code fragment is equivalent to the previous Verilog example, but is in RTL representation:

```

1 assign tmp = a + b;           // combinatorial data path
2
3 always @(posedge clk)       // register
4     y <= tmp;
```

A design in RTL representation is usually stored using HDLs like Verilog and VHDL. But only a very limited subset of features is used, namely minimalistic always-blocks (Verilog) or process-blocks (VHDL) that model the register type used and unconditional assignments for the datapath logic. The use of HDLs on this level simplifies simulation as no additional tools are required to simulate a design in RTL representation.

Many optimizations and analyses can be performed best at the RTL level. Examples include FSM detection and optimization, identification of memories or other larger building blocks and identification of shareable resources.

Note that RTL is the first abstraction level in which the circuit is represented as a graph of circuit elements (registers and combinatorial cells) and signals. Such a graph, when encoded as list of cells and connections, is called a netlist.

RTL synthesis is easy as each circuit node element in the netlist can simply be replaced with an equivalent gate-level circuit. However, usually the term RTL synthesis does not only refer to synthesizing an RTL netlist to a gate level netlist but also to performing a number of highly sophisticated optimizations within the RTL representation, such as the examples listed above.

A number of FOSS tools exist that can perform isolated tasks within the domain of RTL synthesis steps. But there seems to be no FOSS tool that covers a wide range of RTL synthesis operations.

### 5.1.5 Logical gate level

At the logical gate level the design is represented by a netlist that uses only cells from a small number of single-bit cells, such as basic logic gates (AND, OR, NOT, XOR, etc.) and registers (usually D-Type Flip-flops).

A number of netlist formats exists that can be used on this level, e.g. the Electronic Design Interchange Format (EDIF), but for ease of simulation often a HDL netlist is used. The latter is a HDL file (Verilog or VHDL) that only uses the most basic language constructs for instantiation and connecting of cells.

There are two challenges in logic synthesis: First finding opportunities for optimizations within the gate level netlist and second the optimal (or at least good) mapping of the logic gate netlist to an equivalent netlist of physically available gate types.

The simplest approach to logic synthesis is two-level logic synthesis, where a logic function is converted into a sum-of-products representation, e.g. using a Karnaugh map. This is a simple approach, but has exponential worst-case effort and cannot make efficient use of physical gates other than AND/NAND-, OR/NOR- and NOT-Gates.

Therefore modern logic synthesis tools utilize much more complicated multi-level logic synthesis algorithms [BHSV90]. Most of these algorithms convert the logic function to a Binary-Decision-Diagram (BDD) or And-Inverter-Graph (AIG) and work from that representation. The former has the advantage that it has a unique normalized form. The latter has much better worst case performance and is therefore better suited for the synthesis of large logic functions.

Good FOSS tools exists for multi-level logic synthesis.

Yosys contains basic logic synthesis functionality but can also use ABC for the logic synthesis step. Using ABC is recommended.

### 5.1.6 Physical gate level

On the physical gate level only gates are used that are physically available on the target architecture. In some cases this may only be NAND, NOR and NOT gates as well as D-Type registers. In other cases this might include cells that are more complex than the cells used at the logical gate level (e.g. complete half-adders). In the case of an FPGA-based design the physical gate level representation is a netlist of LUTs with optional output registers, as these are the basic building blocks of FPGA logic cells.

For the synthesis tool chain this abstraction is usually the lowest level. In case of an ASIC-based design the cell library might contain further information on how the physical cells map to individual switches (transistors).

### 5.1.7 Switch level

A switch level representation of a circuit is a netlist utilizing single transistors as cells. Switch level modelling is possible in Verilog and VHDL, but is seldom used in modern designs, as in modern digital ASIC or FPGA flows the physical gates are considered the atomic build blocks of the logic circuit.

### 5.1.8 Yosys

Yosys is a Verilog HDL synthesis tool. This means that it takes a behavioural design description as input and generates an RTL, logical gate or physical gate level description of the design as output. Yosys' main strengths are behavioural and RTL synthesis. A wide range of commands (synthesis passes) exist within Yosys that can be used to perform a wide range of synthesis tasks within the domain of behavioural, RTL and logic synthesis. Yosys is designed to be extensible and therefore is a good basis for implementing custom synthesis tools for specialised tasks.

## 5.2 Features of synthesizable Verilog

The subset of Verilog [A+06] that is synthesizable is specified in a separate IEEE standards document, the IEEE standard 1364.1-2002 [A+02]. This standard also describes how certain language constructs are to be interpreted in the scope of synthesis.

This section provides a quick overview of the most important features of synthesizable Verilog, structured in order of increasing complexity.

### 5.2.1 Structural Verilog

Structural Verilog (also known as Verilog Netlists) is a Netlist in Verilog syntax. Only the following language constructs are used in this case:

- Constant values
- Wire and port declarations
- Static assignments of signals to other signals
- Cell instantiations

Many tools (especially at the back end of the synthesis chain) only support structural Verilog as input. ABC is an example of such a tool. Unfortunately there is no standard specifying what Structural Verilog actually is, leading to some confusion about what syntax constructs are supported in structural Verilog when it comes to features such as attributes or multi-bit signals.

## 5.2.2 Expressions in Verilog

In all situations where Verilog accepts a constant value or signal name, expressions using arithmetic operations such as `+`, `-` and `*`, boolean operations such as `&` (AND), `|` (OR) and `^` (XOR) and many others (comparison operations, unary operator, etc.) can also be used.

During synthesis these operators are replaced by cells that implement the respective function.

Many FOSS tools that claim to be able to process Verilog in fact only support basic structural Verilog and simple expressions. Yosys can be used to convert full featured synthesizable Verilog to this simpler subset, thus enabling such applications to be used with a richer set of Verilog features.

## 5.2.3 Behavioural modelling

Code that utilizes the Verilog `always` statement is using Behavioural Modelling. In behavioural modelling, a circuit is described by means of imperative program code that is executed on certain events, namely any change, a rising edge, or a falling edge of a signal. This is a very flexible construct during simulation but is only synthesizable when one of the following is modelled:

- **Asynchronous or latched logic**

In this case the sensitivity list must contain all expressions that are used within the `always` block. The syntax `@*` can be used for these cases. Examples of this kind include:

```

1 // asynchronous
2 always @* begin
3     if (add_mode)
4         y <= a + b;
5     else
6         y <= a - b;
7 end
8
9 // latched
10 always @* begin
11     if (!hold)
12         y <= a + b;
13 end

```

Note that latched logic is often considered bad style and in many cases just the result of sloppy HDL design. Therefore many synthesis tools generate warnings whenever latched logic is generated.

- **Synchronous logic (with optional synchronous reset)**

This is logic with d-type flip-flops on the output. In this case the sensitivity list must only contain the respective clock edge. Example:

```

1 // counter with synchronous reset
2 always @(posedge clk) begin
3     if (reset)
4         y <= 0;
5     else
6         y <= y + 1;
7 end

```

- **Synchronous logic with asynchronous reset**

This is logic with d-type flip-flops with asynchronous resets on the output. In this case the sensitivity list must only contain the respective clock and reset edges. The values assigned in the reset branch must be constant. Example:

```

1 // counter with asynchronous reset
2 always @(posedge clk, posedge reset) begin
3     if (reset)
4         y <= 0;
5     else
6         y <= y + 1;
7 end

```

Many synthesis tools support a wider subset of flip-flops that can be modelled using always-statements (including Yosys). But only the ones listed above are covered by the Verilog synthesis standard and when writing new designs one should limit herself or himself to these cases.

In behavioural modelling, blocking assignments (=) and non-blocking assignments (<=) can be used. The concept of blocking vs. non-blocking assignment is one of the most misunderstood constructs in Verilog [CI00].

The blocking assignment behaves exactly like an assignment in any imperative programming language, while with the non-blocking assignment the right hand side of the assignment is evaluated immediately but the actual update of the left hand side register is delayed until the end of the time-step. For example the Verilog code `a <= b; b <= a;` exchanges the values of the two registers.

## 5.2.4 Functions and tasks

Verilog supports Functions and Tasks to bundle statements that are used in multiple places (similar to Procedures in imperative programming). Both constructs can be implemented easily by substituting the function/task-call with the body of the function or task.

## 5.2.5 Conditionals, loops and generate-statements

Verilog supports `if-else`-statements and `for`-loops inside `always`-statements.

It also supports both features in `generate`-statements on the module level. This can be used to selectively enable or disable parts of the module based on the module parameters (`if-else`) or to generate a set of similar subcircuits (`for`).

While the `if-else`-statement inside an `always`-block is part of behavioural modelling, the three other cases are (at least for a synthesis tool) part of a built-in macro processor. Therefore it must be possible for the synthesis tool to completely unroll all loops and evaluate the condition in all `if-else`-statement in `generate`-statements using const-folding..

## 5.2.6 Arrays and memories

Verilog supports arrays. This is in general a synthesizable language feature. In most cases arrays can be synthesized by generating addressable memories. However, when complex or asynchronous access patterns are used, it is not possible to model an array as memory. In these cases the array must be modelled using individual signals for each word and all accesses to the array must be implemented using large multiplexers.

In some cases it would be possible to model an array using memories, but it is not desired. Consider the following delay circuit:

```

1 module (clk, in_data, out_data);
2
3 parameter BITS = 8;
4 parameter STAGES = 4;
5
6 input clk;

```

(continues on next page)

(continued from previous page)

```
7 input [BITS-1:0] in_data;
8 output [BITS-1:0] out_data;
9 reg [BITS-1:0] ffs [STAGES-1:0];
10
11 integer i;
12 always @(posedge clk) begin
13     ffs[0] <= in_data;
14     for (i = 1; i < STAGES; i = i+1)
15         ffs[i] <= ffs[i-1];
16 end
17
18 assign out_data = ffs[STAGES-1];
19
20 endmodule
```

This could be implemented using an addressable memory with STAGES input and output ports. A better implementation would be to use a simple chain of flip-flops (a so-called shift register). This better implementation can either be obtained by first creating a memory-based implementation and then optimizing it based on the static address signals for all ports or directly identifying such situations in the language front end and converting all memory accesses to direct accesses to the correct signals.

## 5.3 Challenges in digital circuit synthesis

This section summarizes the most important challenges in digital circuit synthesis. Tools can be characterized by how well they address these topics.

### 5.3.1 Standards compliance

The most important challenge is compliance with the HDL standards in question (in case of Verilog the IEEE Standards 1364.1-2002 and 1364-2005). This can be broken down in two items:

- Completeness of implementation of the standard
- Correctness of implementation of the standard

Completeness is mostly important to guarantee compatibility with existing HDL code. Once a design has been verified and tested, HDL designers are very reluctant regarding changes to the design, even if it is only about a few minor changes to work around a missing feature in a new synthesis tool.

Correctness is crucial. In some areas this is obvious (such as correct synthesis of basic behavioural models). But it is also crucial for the areas that concern minor details of the standard, such as the exact rules for handling signed expressions, even when the HDL code does not target different synthesis tools. This is because (unlike software source code that is only processed by compilers), in most design flows HDL code is not only processed by the synthesis tool but also by one or more simulators and sometimes even a formal verification tool. It is key for this verification process that all these tools use the same interpretation for the HDL code.

### 5.3.2 Optimizations

Generally it is hard to give a one-dimensional description of how well a synthesis tool optimizes the design. First of all because not all optimizations are applicable to all designs and all synthesis tasks. Some optimizations work (best) on a coarse-grained level (with complex cells such as adders or multipliers) and others work (best) on a fine-grained level (single bit gates). Some optimizations target area and others target speed. Some work well on large designs while others don't scale well and can only be applied to small designs.

A good tool is capable of applying a wide range of optimizations at different levels of abstraction and gives the designer control over which optimizations are performed (or skipped) and what the optimization goals are.

### 5.3.3 Technology mapping

Technology mapping is the process of converting the design into a netlist of cells that are available in the target architecture. In an ASIC flow this might be the process-specific cell library provided by the fab. In an FPGA flow this might be LUT cells as well as special function units such as dedicated multipliers. In a coarse-grain flow this might even be more complex special function units.

An open and vendor independent tool is especially of interest if it supports a wide range of different types of target architectures.

## 5.4 Script-based synthesis flows

A digital design is usually started by implementing a high-level or system-level simulation of the desired function. This description is then manually transformed (or re-implemented) into a synthesizable lower-level description (usually at the behavioural level) and the equivalence of the two representations is verified by simulating both and comparing the simulation results.

Then the synthesizable description is transformed to lower-level representations using a series of tools and the results are again verified using simulation. This process is illustrated in Fig. 5.2.

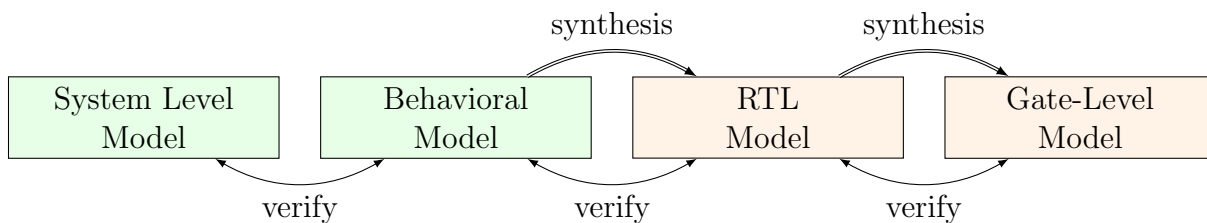


Fig. 5.2: Typical design flow. Green boxes represent manually created models. Orange boxes represent models generated by synthesis tools.

In this example the System Level Model and the Behavioural Model are both manually written design files. After the equivalence of system level model and behavioural model has been verified, the lower level representations of the design can be generated using synthesis tools. Finally the RTL Model and the Gate-Level Model are verified and the design process is finished.

However, in any real-world design effort there will be multiple iterations for this design process. The reason for this can be the late change of a design requirement or the fact that the analysis of a low-abstraction model (e.g. gate-level timing analysis) revealed that a design change is required in order to meet the design requirements (e.g. maximum possible clock speed).

Whenever the behavioural model or the system level model is changed their equivalence must be re-verified by re-running the simulations and comparing the results. Whenever the behavioural model is changed the synthesis must be re-run and the synthesis results must be re-verified.

In order to guarantee reproducibility it is important to be able to re-run all automatic steps in a design project with a fixed set of settings easily. Because of this, usually all programs used in a synthesis flow can be controlled using scripts. This means that all functions are available via text commands. When such a tool provides a GUI, this is complementary to, and not instead of, a command line interface.

Usually a synthesis flow in an UNIX/Linux environment would be controlled by a shell script that calls all required tools (synthesis and simulation/verification in this example) in the correct order. Each of these

tools would be called with a script file containing commands for the respective tool. All settings required for the tool would be provided by these script files so that no manual interaction would be necessary. These script files are considered design sources and should be kept under version control just like the source code of the system level and the behavioural model.

## 5.5 Methods from compiler design

Some parts of synthesis tools involve problem domains that are traditionally known from compiler design. This section addresses some of these domains.

### 5.5.1 Lexing and parsing

The best known concepts from compiler design are probably lexing and parsing. These are two methods that together can be used to process complex computer languages easily. [ASU86]

A lexer consumes single characters from the input and generates a stream of lexical tokens that consist of a type and a value. For example the Verilog input `assign foo = bar + 42;` might be translated by the lexer to the list of lexical tokens given in Tab. 5.1.

Table 5.1: Exemplary token list for the statement `assign foo = bar + 42;`

| Token-Type     | Token-Value |
|----------------|-------------|
| TOK_ASSIGN     | -           |
| TOK_IDENTIFIER | “foo”       |
| TOK_EQ         | -           |
| TOK_IDENTIFIER | “bar”       |
| TOK_PLUS       | -           |
| TOK_NUMBER     | 42          |
| TOK_SEMICOLON  | -           |

The lexer is usually generated by a lexer generator (e.g. flex) from a description file that is using regular expressions to specify the text pattern that should match the individual tokens.

The lexer is also responsible for skipping ignored characters (such as whitespace outside string constants and comments in the case of Verilog) and converting the original text snippet to a token value.

Note that individual keywords use different token types (instead of a keyword type with different token values). This is because the parser usually can only use the Token-Type to make a decision on the grammatical role of a token.

The parser then transforms the list of tokens into a parse tree that closely resembles the productions from the computer languages grammar. As the lexer, the parser is also typically generated by a code generator (e.g. bison) from a grammar description in Backus-Naur Form (BNF).

Let’s consider the following BNF (in Bison syntax):

```

1 assign_stmt: TOK_ASSIGN TOK_IDENTIFIER TOK_EQ expr TOK_SEMICOLON;
2 expr: TOK_IDENTIFIER | TOK_NUMBER | expr TOK_PLUS expr;

```

The parser converts the token list to the parse tree in Fig. 5.3. Note that the parse tree never actually exists as a whole as data structure in memory. Instead the parser calls user-specified code snippets (so-called reduce-functions) for all inner nodes of the parse tree in depth-first order.

In some very simple applications (e.g. code generation for stack machines) it is possible to perform the task at hand directly in the reduce functions. But usually the reduce functions are only used to build an

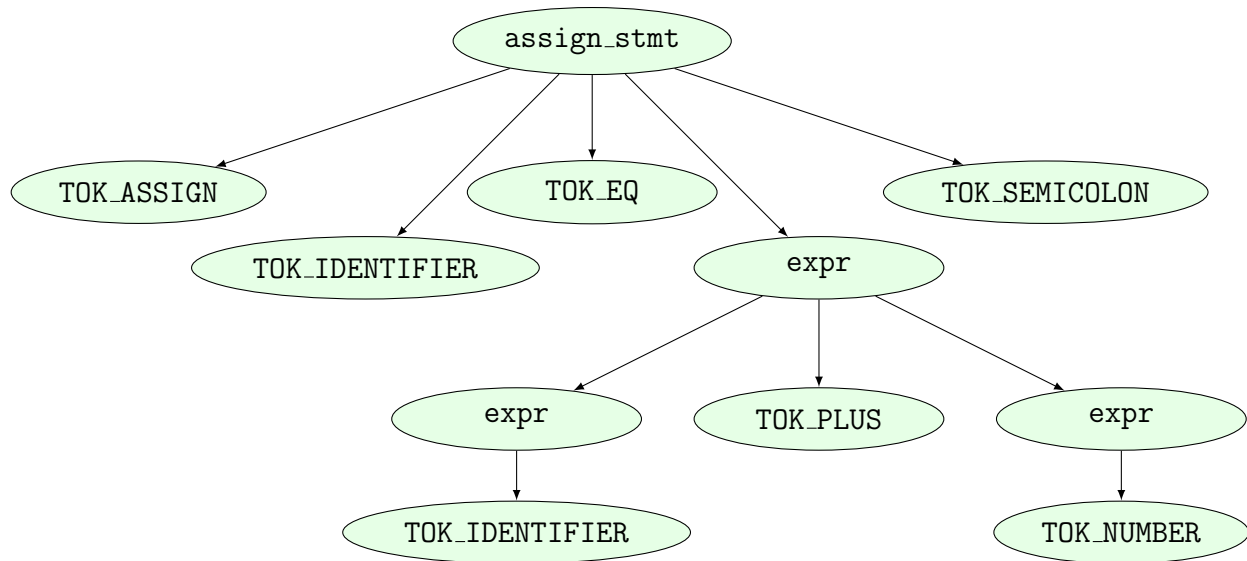


Fig. 5.3: Example parse tree for the Verilog expression `assign foo = bar + 42;`

in-memory data structure with the relevant information from the parse tree. This data structure is called an abstract syntax tree (AST).

The exact format for the abstract syntax tree is application specific (while the format of the parse tree and token list are mostly dictated by the grammar of the language at hand). Figure 5.4 illustrates what an AST for the parse tree in Fig. 5.3 could look like.

Usually the AST is then converted into yet another representation that is more suitable for further processing. In compilers this is often an assembler-like three-address-code intermediate representation. [ASU86]

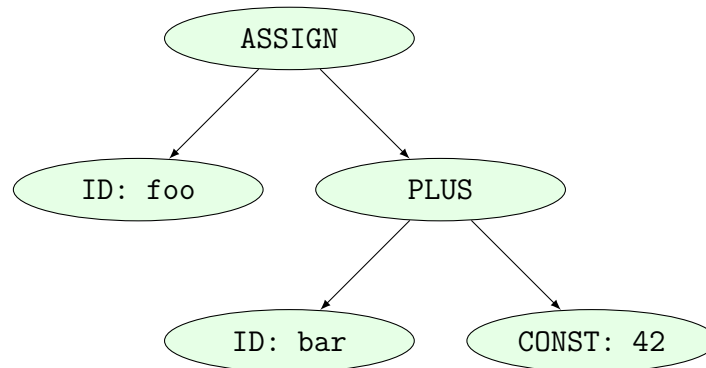


Fig. 5.4: Example abstract syntax tree for the Verilog expression `assign foo = bar + 42;`

## 5.5.2 Multi-pass compilation

Complex problems are often best solved when split up into smaller problems. This is certainly true for compilers as well as for synthesis tools. The components responsible for solving the smaller problems can be connected in two different ways: through Single-Pass Pipelining and by using Multiple Passes.

Traditionally a parser and lexer are connected using the pipelined approach: The lexer provides a function that is called by the parser. This function reads data from the input until a complete lexical token has been read. Then this token is returned to the parser. So the lexer does not first generate a complete list of lexical

tokens and then pass it to the parser. Instead they run concurrently and the parser can consume tokens as the lexer produces them.

The single-pass pipelining approach has the advantage of lower memory footprint (at no time must the complete design be kept in memory) but has the disadvantage of tighter coupling between the interacting components.

Therefore single-pass pipelining should only be used when the lower memory footprint is required or the components are also conceptually tightly coupled. The latter certainly is the case for a parser and its lexer. But when data is passed between two conceptually loosely coupled components it is often beneficial to use a multi-pass approach.

In the multi-pass approach the first component processes all the data and the result is stored in a in-memory data structure. Then the second component is called with this data. This reduces complexity, as only one component is running at a time. It also improves flexibility as components can be exchanged easier.

Most modern compilers are multi-pass compilers.

### 5.5.3 Static Single Assignment (SSA) form

In imperative programming (and behavioural HDL design) it is possible to assign the same variable multiple times. This can either mean that the variable is independently used in two different contexts or that the final value of the variable depends on a condition.

The following examples show C code in which one variable is used independently in two different contexts:

```

1 void demo1()
2 {
3     int a = 1;
4     printf("%d\n", a);
5
6     a = 2;
7     printf("%d\n", a);
8 }

```

```

void demo1()
{
    int a = 1;
    printf("%d\n", a);

    int b = 2;
    printf("%d\n", b);
}

```

```

1 void demo2(bool foo)
2 {
3     int a;
4     if (foo) {
5         a = 23;
6         printf("%d\n", a);
7     } else {
8         a = 42;
9         printf("%d\n", a);
10    }
11 }

```

```
void demo2(bool foo)
{
    int a, b;
    if (foo) {
        a = 23;
        printf("%d\n", a);
    } else {
        b = 42;
        printf("%d\n", b);
    }
}
```

In both examples the left version (only variable `a`) and the right version (variables `a` and `b`) are equivalent. Therefore it is desired for further processing to bring the code in an equivalent form for both cases.

In the following example the variable is assigned twice but it cannot be easily replaced by two variables:

```
void demo3(bool foo)
{
    int a = 23
    if (foo)
        a = 42;
    printf("%d\n", a);
}
```

Static single assignment (SSA) form is a representation of imperative code that uses identical representations for the left and right version of demos 1 and 2, but can still represent demo 3. In SSA form each assignment assigns a new variable (usually written with an index). But it also introduces a special  $\Phi$ -function to merge the different instances of a variable when needed. In C-pseudo-code the demo 3 would be written as follows using SSA from:

```
void demo3(bool foo)
{
    int a_1, a_2, a_3;
    a_1 = 23
    if (foo)
        a_2 = 42;
    a_3 = phi(a_1, a_2);
    printf("%d\n", a_3);
}
```

The  $\Phi$ -function is usually interpreted as “these variables must be stored in the same memory location” during code generation. Most modern compilers for imperative languages such as C/C++ use SSA form for at least some of its passes as it is very easy to manipulate and analyse.

## RTLIL TEXT REPRESENTATION

This appendix documents the text representation of RTLIL in extended Backus-Naur form (EBNF).

The grammar is not meant to represent semantic limitations. That is, the grammar is “permissive”, and later stages of processing perform more rigorous checks.

The grammar is also not meant to represent the exact grammar used in the RTLIL frontend, since that grammar is specific to processing by `lex` and `yacc`, is even more permissive, and is somewhat less understandable than simple EBNF notation.

Finally, note that all statements (rules ending in `-stmt`) terminate in an end-of-line. Because of this, a statement cannot be broken into multiple lines.

### 6.1 Lexical elements

#### 6.1.1 Characters

An RTLIL file is a stream of bytes. Strictly speaking, a “character” in an RTLIL file is a single byte. The lexer treats multi-byte encoded characters as consecutive single-byte characters. While other encodings *may* work, UTF-8 is known to be safe to use. Byte order marks at the beginning of the file will cause an error.

ASCII spaces (32) and tabs (9) separate lexer tokens.

A `nonws` character, used in identifiers, is any character whose encoding consists solely of bytes above ASCII space (32).

An `eo1` is one or more consecutive ASCII newlines (10) and carriage returns (13).

#### 6.1.2 Identifiers

There are two types of identifiers in RTLIL:

- Publically visible identifiers
- Auto-generated identifiers

```
<id> ::= <public-id> | <autogen-id>
<public-id> ::= \ <nonws>+
<autogen-id> ::= $ <nonws>+
```

#### 6.1.3 Values

A *value* consists of a width in bits and a bit representation, most significant bit first. Bits may be any of:

- 0: A logic zero value
- 1: A logic one value

- **x**: An unknown logic value (or don't care in case patterns)
- **z**: A high-impedance value (or don't care in case patterns)
- **m**: A marked bit (internal use only)
- **-**: A don't care value

When the bit representation has fewer bits than the width, it is padded to the width with the most significant explicit bit, or 0 if the most significant explicit bit is 1, or x if there are no explicit bits.

An *integer* is simply a signed integer value in decimal format. **Warning:** Integer constants are limited to 32 bits. That is, they may only be in the range [-2147483648, 2147483648). Integers outside this range will result in an error.

```
<value>      ::= <decimal-digit>+ ' <binary-digit>*  
<decimal-digit> ::= 0 | 1 | 2 | 3 | 4 | 5 | 6 | 7 | 8 | 9  
<binary-digit> ::= 0 | 1 | x | z | m | -  
<integer>    ::= -? <decimal-digit>+
```

### 6.1.4 Strings

A string is a series of characters delimited by double-quote characters. Within a string, any character except ASCII NUL (0) may be used. In addition, certain escapes can be used:

- **\n**: A newline
- **\t**: A tab
- **\ooo**: A character specified as a one, two, or three digit octal value

All other characters may be escaped by a backslash, and become the following character. Thus:

- **\\**: A backslash
- **\"**: A double-quote
- **\r**: An 'r' character

### 6.1.5 Comments

A comment starts with a # character and proceeds to the end of the line. All comments are ignored.

## 6.2 File

A file consists of an optional autoindex statement followed by zero or more modules.

```
<file> ::= <autoidx-stmt>? <module>*
```

### 6.2.1 Autoindex statements

The autoindex statement sets the global autoindex value used by Yosys when it needs to generate a unique name, e.g. `flattenN`. The N part is filled with the value of the global autoindex value, which is subsequently incremented. This global has to be dumped into RTLIL, otherwise e.g. dumping and running a pass would have different properties than just running a pass on a warm design.

```
<autoidx-stmt> ::= autoidx <integer> <eol>
```

## 6.2.2 Modules

Declares a module, with zero or more attributes, consisting of zero or more wires, memories, cells, processes, and connections.

```

<module> ::= <attr-stmt>* <module-stmt> <module-body> <module-end-stmt>
<module-stmt> ::= module <id> <eol>
<module-body> ::= (<param-stmt>
| <conn-stmt>
| <wire>
| <memory>
| <cell>
| <process>)*
<param-stmt> ::= parameter <id> <constant>? <eol>
<constant> ::= <value> | <integer> | <string>
<module-end-stmt> ::= end <eol>

```

## 6.2.3 Attribute statements

Declares an attribute with the given identifier and value.

```

<attr-stmt> ::= attribute <id> <constant> <eol>

```

## 6.2.4 Signal specifications

A signal is anything that can be applied to a cell port, i.e. a constant value, all bits or a selection of bits from a wire, or concatenations of those.

**Warning:** When an integer constant is a sigspec, it is always 32 bits wide, 2's complement. For example, a constant of  $-1$  is the same as `32'11111111111111111111111111111111`, while a constant of  $1$  is the same as `32'1`.

See *RTLIL::SigSpec* for an overview of signal specifications.

```

<sigspec> ::= <constant>
| <wire-id>
| <sigspec> [ <integer> (:<integer>)? ]
| { <sigspec>* }

```

When a `<wire-id>` is specified, the wire must have been previously declared.

When a signal slice is specified, the left-hand integer must be greater than or equal to the right-hand integer.

## 6.2.5 Connections

Declares a connection between the given signals.

```

<conn-stmt> ::= connect <sigspec> <sigspec> <eol>

```

## 6.2.6 Wires

Declares a wire, with zero or more attributes, with the given identifier and options in the enclosing module.

See *RTLIL::Cell* and *RTLIL::Wire* for an overview of wires.

```

<wire> ::= <attr-stmt>* <wire-stmt>
<wire-stmt> ::= wire <wire-option>* <wire-id> <eol>
<wire-id> ::= <id>
<wire-option> ::= width <integer>
                | offset <integer>
                | input <integer>
                | output <integer>
                | inout <integer>
                | upto
                | signed

```

## 6.2.7 Memories

Declares a memory, with zero or more attributes, with the given identifier and options in the enclosing module.

See *RTLIL::Memory* for an overview of memory cells, and *Memories* for details about memory cell types.

```

<memory> ::= <attr-stmt>* <memory-stmt>
<memory-stmt> ::= memory <memory-option>* <id> <eol>
<memory-option> ::= width <integer>
                  | size <integer>
                  | offset <integer>

```

## 6.2.8 Cells

Declares a cell, with zero or more attributes, with the given identifier and type in the enclosing module.

Cells perform functions on input signals. See *Internal cell library* for a detailed list of cell types.

```

<cell> ::= <attr-stmt>* <cell-stmt> <cell-body-stmt>* <cell-end-stmt>
<cell-stmt> ::= cell <cell-type> <cell-id> <eol>
<cell-id> ::= <id>
<cell-type> ::= <id>
<cell-body-stmt> ::= parameter (signed | real)? <id> <constant> <eol>
                  | connect <id> <sigspec> <eol>
<cell-end-stmt> ::= end <eol>

```

## 6.2.9 Processes

Declares a process, with zero or more attributes, with the given identifier in the enclosing module. The body of a process consists of zero or more assignments followed by zero or more switches and zero or more syncs.

See *RTLIL::Process* for an overview of processes.

```

<process> ::= <attr-stmt>* <proc-stmt> <process-body> <proc-end-stmt>
<proc-stmt> ::= process <id> <eol>
<process-body> ::= <assign-stmt>* <switch>* <sync>*
<assign-stmt> ::= assign <dest-sigspec> <src-sigspec> <eol>
<dest-sigspec> ::= <sigspec>
<src-sigspec> ::= <sigspec>
<proc-end-stmt> ::= end <eol>

```

### 6.2.10 Switches

Switches test a signal for equality against a list of cases. Each case specifies a comma-separated list of signals to check against. If there are no signals in the list, then the case is the default case. The body of a case consists of zero or more assignments followed by zero or more switches. Both switches and cases may have zero or more attributes.

```

<switch> ::= <switch-stmt> <case>* <switch-end-stmt>
<switch-stmt> ::= <attr-stmt>* switch <sigspec> <eol>
<case> ::= <attr-stmt>* <case-stmt> <case-body>
<case-stmt> ::= case <compare>? <eol>
<compare> ::= <sigspec> (, <sigspec>)*
<case-body> ::= <assign-stmt>* <switch>*
<switch-end-stmt> ::= end <eol>

```

### 6.2.11 Syncs

Syncs update signals with other signals when an event happens. Such an event may be:

- An edge or level on a signal
- Global clock ticks
- Initialization
- Always

```

<sync> ::= <sync-stmt> <update-stmt>*
<sync-stmt> ::= sync <sync-type> <sigspec> <eol>
| sync global <eol>
| sync init <eol>
| sync always <eol>
<sync-type> ::= low | high | posedge | negedge | edge
<update-stmt> ::= update <dest-sigspec> <src-sigspec> <eol>
| <attr-stmt>* memwr <id> <sigspec> <sigspec> <sigspec> <constant>
↔<eol>

```



## AUXILIARY LIBRARIES

The Yosys source distribution contains some auxiliary libraries that are compiled into Yosys and can be used in plugins.

### 7.1 BigInt

The files in `libs/bigint/` provide a library for performing arithmetic with arbitrary length integers. It is written by Matt McCutchen.

The BigInt library is used for evaluating constant expressions, e.g. using the `ConstEval` class provided in `kernel/consteval.h`.

See also: <http://mattmccutchen.net/bigint/>

### 7.2 dlfcn-win32

The `dlfcn` library enables runtime loading of plugins without requiring recompilation of Yosys. The files in `libs/dlfcn-win32` provide an implementation of `dlfcn` for Windows.

See also: <https://github.com/dlfcn-win32/dlfcn-win32>

### 7.3 ezSAT

The files in `libs/ezsat` provide a library for simplifying generating CNF formulas for SAT solvers. It also contains bindings of MiniSAT. The ezSAT library is written by C. Wolf. It is used by the `sat` pass.

### 7.4 fst

`libfst` files from `gtkwave` are included in `libs/fst` to support reading/writing signal traces from/to the GTKWave developed FST format. This is primarily used in the `sim` command.

### 7.5 json11

For reading/writing designs from/to JSON, `read_json` and `write_json` should be used. For everything else there is the `json11` library:

json11 is a tiny JSON library for C++11, providing JSON parsing and serialization.

This library is used for outputting machine-readable statistics (`stat` with `-json` flag), using the RPC frontend (`connect_rpc`), and the yosys-witness `yw` format.

## 7.6 MiniSAT

The files in `libs/minisat` provide a high-performance SAT solver, used by the `sat` command.

## 7.7 SHA1

The files in `libs/sha1/` provide a public domain SHA1 implementation written by Steve Reid, Bruce Guenter, and Volker Grabsch. It is used for generating unique names when specializing parameterized modules.

## 7.8 SubCircuit

The files in `libs/subcircuit` provide a library for solving the subcircuit isomorphism problem. It is written by C. Wolf and based on the Ullmann Subgraph Isomorphism Algorithm [Ull76]. It is used by the `extract` pass.

## AUXILIARY PROGRAMS

Besides the main yosys executable, the Yosys distribution contains a set of additional helper programs.

### 8.1 yosys-config

The `yosys-config` tool (an auto-generated shell-script) can be used to query compiler options and other information needed for building loadable modules for Yosys. See *Writing extensions* for details.

```
Usage: ./yosys-config [--exec] [--prefix pf] args..
       ./yosys-config --build modname.so cppsources..
```

Replacement args:

```
--cxx          g++
--cxxflags     -g -O2 -fno-omit-frame-pointer -mno-omit-leaf-frame-pointer \
               -flto=auto -ffat-lto-objects -fstack-protector-strong \
               -fstack-clash-protection -Wformat -Werror=format-security \
               -fcf-protection -Wall -Wextra -Werror=unused -ggdb \
               -I"/usr/share/yosys/include" -MD -MP -D_YOSYS_ -fPIC \
               -I/usr/include -DYOSYS_ENABLE_HELP_SOURCE -DYOSYS_VER=\"0.66\" \
               -DYOSYS_MAJOR=0 -DYOSYS_MINOR=66 -DYOSYS_COMMIT=0.66 \
               -std=c++20 -O3 -DYOSYS_ENABLE_READLINE -DYOSYS_ENABLE_PLUGINS \
               -DYOSYS_ENABLE_GLOB -DYOSYS_ENABLE_ZLIB -I/usr/include/tcl8.6 \
               -DYOSYS_ENABLE_TCL -DYOSYS_ENABLE_THREADS -DYOSYS_ENABLE_ABC
--linkflags    -rdynamic
--ldflags      (alias of --linkflags)
--libs         -lstdc++ -lm -lrt -lreadline -lffi -ldl -lz -ltcl8.6 -ltclstub8.6 -
↳lpthread
--ldlibs       (alias of --libs)
--bindir       /usr/bin
--datdir       /usr/share/yosys
```

All other args are passed through as they are.

Use `--exec` to call a command instead of generating output. Example usage:

```
./yosys-config --exec --cxx --cxxflags --ldflags -o plugin.so -shared plugin.cc --libs
```

The above command can be abbreviated as:

```
./yosys-config --build plugin.so plugin.cc
```

(continues on next page)

(continued from previous page)

Use `--prefix` to change the prefix for the special args from `'--'` to something else. Example:

```
./yosys-config --prefix @ bindir: @bindir
```

The args `--bindir` and `--datdir` can be directly followed by a slash and additional text. Example:

```
./yosys-config --datdir/simlib.v
```

## 8.2 yosys-filterlib

### Todo

how does a filterlib rules-file work?

The `yosys-filterlib` tool is a small utility that can be used to strip or extract information from a Liberty file. This can be useful for removing sensitive or proprietary information such as timing or other trade secrets.

```
Usage: filterlib [rules-file [liberty-file]]
or: filterlib -verilogsim [liberty-file]
```

## 8.3 yosys-abc

This is a fork of ABC with a small set of custom modifications that have not yet been accepted upstream. Not all versions of Yosys work with all versions of ABC. So Yosys comes with its own `yosys-abc` to avoid compatibility issues between the two.

```
usage: ./yosys-abc [-c cmd] [-q cmd] [-C cmd] [-Q cmd] [-f script] [-h] [-o file] [-s] [-
→t type] [-T type] [-x] [-b] [file]
-c cmd      execute commands `cmd'
-q cmd      execute commands `cmd' quietly
-C cmd      execute commands `cmd', then continue in interactive mode
-Q cmd      execute commands `cmd' quietly, then continue in interactive mode
-F script   execute commands from a script file and echo commands
-f script   execute commands from a script file
-h          print the command usage
-o file     specify output filename to store the result
-s          do not read any initialization file
-t type     specify input type (blif_mv (default), blif_mvs, blif, or none)
-T type     specify output type (blif_mv (default), blif_mvs, blif, or none)
-x          equivalent to '-t none -T none'
-b         running in bridge mode
```

## 8.4 yosys-smtbmc

The `yosys-smtbmc` tool is a utility used by SBY for interacting with smt solvers.

```

yosys-smtbmc [options] <yosys_smt2_output>

-h, --help
    show this message

-t <num_steps>
-t <skip_steps>:<num_steps>
-t <skip_steps>:<step_size>:<num_steps>
    default: skip_steps=0, step_size=1, num_steps=20

-g
    generate an arbitrary trace that satisfies
    all assertions and assumptions.

-i
    instead of BMC run temporal induction

-c
    instead of regular BMC run cover analysis

-m <module_name>
    name of the top module

--smtc <constr_filename>
    read constraints file

--cex <cex_filename>
    read cex file as written by ABC's "write_cex -n"

--aig <prefix>
    read AIGER map file (as written by Yosys' "write_aiger -map")
    and AIGER witness file. The file names are <prefix>.aim for
    the map file and <prefix>.aiw for the witness file.

--aig <aim_filename>:<aiw_filename>
    like above, but for map files and witness files that do not
    share a filename prefix (or use different file extensions).

--aig-noheader
    the AIGER witness file does not include the status and
    properties lines.

--yw <yosys_witness_filename>
    read a Yosys witness.

--btorwit <btor_witness_filename>
    read a BTOR witness.

--noinfo

```

(continues on next page)

(continued from previous page)

```
only run the core proof, do not collect and print any
additional information (e.g. which assert failed)

--presat
  check if the design with assumptions but without assertions
  is SAT before checking if assertions are UNSAT. This will
  detect if there are contradicting assumptions. In some cases
  this will also help to "warm up" the solver, potentially
  yielding a speedup.

--final-only
  only check final constraints, assume base case

--assume-skipped <start_step>
  assume asserts in skipped steps in BMC.
  no assumptions are created for skipped steps
  before <start_step>.

--dump-vcd <vcd_filename>
  write trace to this VCD file
  (hint: use 'write_smt2 -wires' for maximum
  coverage of signals in generated VCD file)

--dump-yw <yw_filename>
  write trace as a Yosys witness trace

--dump-vlogtb <verilog_filename>
  write trace as Verilog test bench

--vlogtb-top <hierarchical_name>
  use the given entity as top module for the generated
  Verilog test bench. The <hierarchical_name> is relative
  to the design top module without the top module name.

--dump-smtc <constr_filename>
  write trace as constraints file

--smtc-init
  write just the last state as initial constraint to smtc file

--smtc-top <old>[:<new>]
  replace <old> with <new> in constraints dumped to smtc
  file and only dump object below <old> in design hierarchy.

--noinit
  do not assume initial conditions in state 0

--dump-all
  when using -g or -i, create a dump file for each
  step. The character '%' is replaced in all dump
  filenames with the step number.
```

(continues on next page)

(continued from previous page)

```
--append <num_steps>
  add <num_steps> time steps at the end of the trace
  when creating a counter example (this additional time
  steps will still be constrained by assumptions)

--binary
  dump anyconst values as raw bit strings

--keep-going
  continue BMC after the first failed assertion and report
  further failed assertions. To output multiple traces
  covering all found failed assertions, the character '%' is
  replaced in all dump filenames with an increasing number.
  In cover mode, don't stop when a cover trace contains a failed
  assertion.

--check-witness
  check that the used witness file contains sufficient
  constraints to force an assertion failure.

--detect-loops
  check if states are unique in temporal induction counter examples
  (this feature is experimental and incomplete)

--incremental
  run in incremental mode (experimental)

--track-assumes
  track individual assumptions and report a subset of used
  assumptions that are sufficient for the reported outcome. This
  can be used to debug PREUNSAT failures as well as to find a
  smaller set of sufficient assumptions.

--minimize-assumes
  when using --track-assumes, solve for a minimal set of sufficient assumptions.

-s <solver>
  set SMT solver: z3, yices, boolector, bitwuzla, cvc4, cvc5, mathsat, dummy
  default: yices

-S <opt>
  pass <opt> as command line argument to the solver

--timeout <value>
  set the solver timeout to the specified value (in seconds).

--logic <smt2_logic>
  use the specified SMT2 logic (e.g. QF_AUFBV)

--dummy <filename>
  if solver is "dummy", read solver output from that file
  otherwise: write solver output to that file
```

(continues on next page)

(continued from previous page)

```

--smt2-option <option>=<value>
    enable an SMT-LIBv2 option.

-v
    enable debug output

--unroll
    unroll uninterpreted functions

--noincr
    don't use incremental solving, instead restart solver for
    each (check-sat). This also avoids (push) and (pop).

--noprogess
    disable timer display during solving
    (this option is set implicitly on Windows)

--dump-smt2 <filename>
    write smt2 statements to file

--info <smt2-info-stmt>
    include the specified smt2 info statement in the smt2 output

--nocomments
    strip all comments from the generated smt2 code

```

## 8.5 yosys-witness

`yosys-witness` is a new tool to inspect and convert yosys witness traces. This is used in SBY and SCY for producing traces in a consistent format independent of the solver.

```
Usage: yosys-witness [OPTIONS] COMMAND [ARGS]...
```

Options:

```
--help Show this message and exit.
```

Commands:


```

aiw2yw  Convert an AIGER witness trace into a Yosys witness trace.
display Display a Yosys witness trace in a human readable format.
stats   Display statistics of a Yosys witness trace.
wit2yw  Convert a BTOR witness trace into a Yosys witness trace.
yw2aiw  Convert a Yosys witness trace into an AIGER witness trace.
yw2yw   Transform a Yosys witness trace.

```

### Note

`yosys-witness` requires [click](#) Python package for use.

 **Todo**

see if we can get the two hanging appnotes as lit references



## INTERNAL CELL LIBRARY

The intermediate language used by Yosys (RTLIL) represents logic and memory with a series of cells. This section provides details for those cells, breaking them down into two major categories: coarse-grain word-level cells; and fine-grain gate-level cells. An additional section contains a list of properties which may be shared across multiple cells.

### 9.1 Word-level cells

Most of the RTL cells closely resemble the operators available in HDLs such as Verilog or VHDL. Therefore Verilog operators are used in the following sections to define the behaviour of the RTL cells.

Note that all RTL cells have parameters indicating the size of inputs and outputs. When passes modify RTL cells they must always keep the values of these parameters in sync with the size of the signals connected to the inputs and outputs.

Simulation models for the RTL cells can be found in the file `techlibs/common/simlib.v` in the Yosys source tree.

#### 9.1.1 Unary operators

All unary RTL cells have one input port `A` and one output port `Y`. They also have the following parameters:

**A\_SIGNED**

Set to a non-zero value if the input `A` is signed and therefore should be sign-extended when needed.

**A\_WIDTH**

The width of the input port `A`.

**Y\_WIDTH**

The width of the output port `Y`.

Table 9.1: Cell types for unary operators with their corresponding Verilog expressions.

| Verilog                 | Cell Type                  |
|-------------------------|----------------------------|
| <code>Y = ~A</code>     | <code>\$not</code>         |
| <code>Y = +A</code>     | <code>\$pos</code>         |
| <code>Y = -A</code>     | <code>\$neg</code>         |
| <code>Y = &amp;A</code> | <code>\$reduce_and</code>  |
| <code>Y =  A</code>     | <code>\$reduce_or</code>   |
| <code>Y = ^A</code>     | <code>\$reduce_xor</code>  |
| <code>Y = ~^A</code>    | <code>\$reduce_xnor</code> |
| <code>Y =  A</code>     | <code>\$reduce_bool</code> |
| <code>Y = !A</code>     | <code>\$logic_not</code>   |

For the unary cells that output a logical value (*\$reduce\_and*, *\$reduce\_or*, *\$reduce\_xor*, *\$reduce\_xnor*, *\$reduce\_bool*, *\$logic\_not*), when the *Y\_WIDTH* parameter is greater than 1, the output is zero-extended, and only the least significant bit varies.

Note that *\$reduce\_or* and *\$reduce\_bool* generally represent the same logic function. But the *read\_verilog* frontend will generate them in different situations. A *\$reduce\_or* cell is generated when the prefix `|` operator is being used. A *\$reduce\_bool* cell is generated when a bit vector is used as a condition in an `if`-statement or `?:-`expression.

```
yosys> help $buf
```

A simple coarse-grain buffer cell type for the experimental buffered-normalized mode. Note this cell does't get removed by 'opt\_clean' and is not recommended for general use.

**Properties**

*is\_evaluable*

Simulation model (verilog)

Listing 9.1: simlib.v

```
106 module \ $buf (A, Y);
107
108     parameter WIDTH = 0;
109
110     input [WIDTH-1:0] A;
111     output [WIDTH-1:0] Y;
112
113     assign Y = A;
114
115 endmodule
```

```
yosys> help $logic_not
```

A logical inverter. This corresponds to the Verilog unary prefix `!` operator.

**Properties**

*is\_evaluable*

Simulation model (verilog)

Listing 9.2: simlib.v

```
1521 module \ $logic_not (A, Y);
1522
1523     parameter A_SIGNED = 0;
1524     parameter A_WIDTH = 0;
1525     parameter Y_WIDTH = 0;
1526
1527     input [A_WIDTH-1:0] A;
1528     output [Y_WIDTH-1:0] Y;
1529
1530     generate
1531         if (A_SIGNED) begin:BLOCK1
1532             assign Y = !$signed(A);
1533         end else begin:BLOCK2
```

(continues on next page)

(continued from previous page)

```

1534     assign Y = !A;
1535     end
1536   endgenerate
1537
1538 endmodule

```

yosys> help \$neg

An arithmetic inverter. This corresponds to the Verilog unary prefix ‘-’ operator.

**Properties**

*is\_evaluable*

Simulation model (verilog)

Listing 9.3: simlib.v

```

126 module \neg (A, Y);
127
128     parameter A_SIGNED = 0;
129     parameter A_WIDTH = 0;
130     parameter Y_WIDTH = 0;
131
132     input [A_WIDTH-1:0] A;
133     output [Y_WIDTH-1:0] Y;
134
135     generate
136         if (A_SIGNED) begin:BLOCK1
137             assign Y = -$signed(A);
138         end else begin:BLOCK2
139             assign Y = -A;
140         end
141     endgenerate
142
143 endmodule

```

yosys> help \$not

**Bit-wise inverter**

This corresponds to the Verilog unary prefix ‘~’ operator.

**Properties**

*is\_evaluable*

Simulation model (verilog)

Listing 9.4: simlib.v

```

48 module \not (A, Y);
49
50     parameter A_SIGNED = 0;
51     parameter A_WIDTH = 0;
52     parameter Y_WIDTH = 0;
53
54     input [A_WIDTH-1:0] A;

```

(continues on next page)

(continued from previous page)

```

55     output [Y_WIDTH-1:0] Y;
56
57     generate
58         if (A_SIGNED) begin:BLOCK1
59             assign Y = ~$signed(A);
60         end else begin:BLOCK2
61             assign Y = ~A;
62         end
63     endgenerate
64
65 endmodule

```

yosys> help \$pos

A buffer. This corresponds to the Verilog unary prefix '+' operator.

#### Properties

*is\_evaluable*

Simulation model (verilog)

Listing 9.5: simlib.v

```

76 module \ $pos (A, Y);
77
78     parameter A_SIGNED = 0;
79     parameter A_WIDTH = 0;
80     parameter Y_WIDTH = 0;
81
82     input [A_WIDTH-1:0] A;
83     output [Y_WIDTH-1:0] Y;
84
85     generate
86         if (A_SIGNED) begin:BLOCK1
87             assign Y = $signed(A);
88         end else begin:BLOCK2
89             assign Y = A;
90         end
91     endgenerate
92
93 endmodule

```

yosys> help \$reduce\_and

An AND reduction. This corresponds to the Verilog unary prefix '&' operator.

#### Properties

*is\_evaluable*

Simulation model (verilog)

Listing 9.6: simlib.v

```

278 module \ $reduce_and (A, Y);
279
280     parameter A_SIGNED = 0;

```

(continues on next page)

(continued from previous page)

```

281 parameter A_WIDTH = 0;
282 parameter Y_WIDTH = 0;
283
284 input [A_WIDTH-1:0] A;
285 output [Y_WIDTH-1:0] Y;
286
287 generate
288     if (A_SIGNED) begin:BLOCK1
289         assign Y = &$signed(A);
290     end else begin:BLOCK2
291         assign Y = &A;
292     end
293 endgenerate
294
295 endmodule

```

yosys> help \$reduce\_bool

An OR reduction. This cell type is used instead of \$reduce\_or when a signal is implicitly converted to a boolean signal, e.g. for operands of '&&' and '|'|.

#### Properties

*is\_evaluable*

Simulation model (verilog)

Listing 9.7: simlib.v

```

391 module \ $reduce_bool (A, Y);
392
393     parameter A_SIGNED = 0;
394     parameter A_WIDTH = 0;
395     parameter Y_WIDTH = 0;
396
397     input [A_WIDTH-1:0] A;
398     output [Y_WIDTH-1:0] Y;
399
400     generate
401         if (A_SIGNED) begin:BLOCK1
402             assign Y = !(!$signed(A));
403         end else begin:BLOCK2
404             assign Y = !(!A);
405         end
406     endgenerate
407
408 endmodule

```

yosys> help \$reduce\_or

An OR reduction. This corresponds to the Verilog unary prefix '|' operator.

#### Properties

*is\_evaluable*

Simulation model (verilog)

Listing 9.8: simlib.v

```

306 module \${reduce_or} (A, Y);
307
308     parameter A_SIGNED = 0;
309     parameter A_WIDTH = 0;
310     parameter Y_WIDTH = 0;
311
312     input [A_WIDTH-1:0] A;
313     output [Y_WIDTH-1:0] Y;
314
315     generate
316         if (A_SIGNED) begin:BLOCK1
317             assign Y = |$signed(A);
318         end else begin:BLOCK2
319             assign Y = |A;
320         end
321     endgenerate
322
323 endmodule

```

yosys> help \${reduce\_xnor}

A XNOR reduction. This corresponds to the Verilog unary prefix `~^` operator.

#### Properties

*is\_evaluable*

Simulation model (verilog)

Listing 9.9: simlib.v

```

362 module \${reduce_xnor} (A, Y);
363
364     parameter A_SIGNED = 0;
365     parameter A_WIDTH = 0;
366     parameter Y_WIDTH = 0;
367
368     input [A_WIDTH-1:0] A;
369     output [Y_WIDTH-1:0] Y;
370
371     generate
372         if (A_SIGNED) begin:BLOCK1
373             assign Y = ~^$signed(A);
374         end else begin:BLOCK2
375             assign Y = ~^A;
376         end
377     endgenerate
378
379 endmodule

```

yosys> help \${reduce\_xor}

A XOR reduction. This corresponds to the Verilog unary prefix `^` operator.

#### Properties

*is\_evaluable*

Simulation model (verilog)

Listing 9.10: simlib.v

```
334 module \${reduce_xor} (A, Y);
335
336     parameter A_SIGNED = 0;
337     parameter A_WIDTH = 0;
338     parameter Y_WIDTH = 0;
339
340     input [A_WIDTH-1:0] A;
341     output [Y_WIDTH-1:0] Y;
342
343     generate
344         if (A_SIGNED) begin:BLOCK1
345             assign Y = ^$signed(A);
346         end else begin:BLOCK2
347             assign Y = ^A;
348         end
349     endgenerate
350
351 endmodule
```

### 9.1.2 Binary operators

All binary RTL cells have two input ports A and B and one output port Y. They also have the following parameters:

#### A\_SIGNED

Set to a non-zero value if the input A is signed and therefore should be sign-extended when needed.

#### A\_WIDTH

The width of the input port A.

#### B\_SIGNED

Set to a non-zero value if the input B is signed and therefore should be sign-extended when needed.

#### B\_WIDTH

The width of the input port B.

#### Y\_WIDTH

The width of the output port Y.

Table 9.2: Cell types for binary operators with their corresponding Verilog expressions.

| Verilog          | Cell Type          | Verilog      | Cell Type         |
|------------------|--------------------|--------------|-------------------|
| $Y = A \& B$     | <i>\$and</i>       | $Y = A ** B$ | <i>\$pow</i>      |
| $Y = A   B$      | <i>\$or</i>        | $Y = A < B$  | <i>\$lt</i>       |
| $Y = A \wedge B$ | <i>\$xor</i>       | $Y = A <= B$ | <i>\$le</i>       |
| $Y = A \sim B$   | <i>\$xnor</i>      | $Y = A == B$ | <i>\$eq</i>       |
| $Y = A \ll B$    | <i>\$shl</i>       | $Y = A != B$ | <i>\$ne</i>       |
| $Y = A \gg B$    | <i>\$shr</i>       | $Y = A >= B$ | <i>\$ge</i>       |
| $Y = A \lll B$   | <i>\$sshl</i>      | $Y = A > B$  | <i>\$gt</i>       |
| $Y = A \ggg B$   | <i>\$sshr</i>      | $Y = A + B$  | <i>\$add</i>      |
| $Y = A \&\& B$   | <i>\$logic_and</i> | $Y = A - B$  | <i>\$sub</i>      |
| $Y = A    B$     | <i>\$logic_or</i>  | $Y = A * B$  | <i>\$mul</i>      |
| $Y = A === B$    | <i>\$eqx</i>       | $Y = A / B$  | <i>\$div</i>      |
| $Y = A !== B$    | <i>\$nex</i>       | $Y = A \% B$ | <i>\$mod</i>      |
| N/A              | <i>\$shift</i>     | N/A          | <i>\$divfloor</i> |
| N/A              | <i>\$shiftx</i>    | N/A          | <i>\$modfloor</i> |

The *\$shl* and *\$shr* cells implement logical shifts, whereas the *\$sshl* and *\$sshr* cells implement arithmetic shifts. The *\$shl* and *\$sshl* cells implement the same operation. All four of these cells interpret the second operand as unsigned, and require B\_SIGNED to be zero.

Two additional shift operator cells are available that do not directly correspond to any operator in Verilog, *\$shift* and *\$shiftx*. The *\$shift* cell performs a right logical shift if the second operand is positive (or unsigned), and a left logical shift if it is negative. The *\$shiftx* cell performs the same operation as the *\$shift* cell, but the vacated bit positions are filled with undef (x) bits, and corresponds to the Verilog indexed part-select expression.

For the binary cells that output a logical value (*\$logic\_and*, *\$logic\_or*, *\$eqx*, *\$nex*, *\$lt*, *\$le*, *\$eq*, *\$ne*, *\$ge*, *\$gt*), when the Y\_WIDTH parameter is greater than 1, the output is zero-extended, and only the least significant bit varies.

Division and modulo cells are available in two rounding modes. The original *\$div* and *\$mod* cells are based on truncating division, and correspond to the semantics of the verilog / and % operators. The *\$divfloor* and *\$modfloor* cells represent flooring division and flooring modulo, the latter of which corresponds to the % operator in Python. See the following table for a side-by-side comparison between the different semantics.

Table 9.3: Comparison between different rounding modes for division and modulo cells.

| Division | Result | Truncating |       | Flooring   |            |
|----------|--------|------------|-------|------------|------------|
|          |        | \$div      | \$mod | \$divfloor | \$modfloor |
| -10 / 3  | -3.3   | -3         | -1    | -4         | 2          |
| 10 / -3  | -3.3   | -3         | 1     | -4         | -2         |
| -10 / -3 | 3.3    | 3          | -1    | 3          | -1         |
| 10 / 3   | 3.3    | 3          | 1     | 3          | 1          |

```
yosys> help $add
```

Addition of inputs 'A' and 'B'. This corresponds to the Verilog '+' operator.

#### Properties

*is\_evaluable*

Simulation model (verilog)

Listing 9.11: simlib.v

```

981 module \${add} (A, B, Y);
982
983     parameter A_SIGNED = 0;
984     parameter B_SIGNED = 0;
985     parameter A_WIDTH = 0;
986     parameter B_WIDTH = 0;
987     parameter Y_WIDTH = 0;
988
989     input [A_WIDTH-1:0] A;
990     input [B_WIDTH-1:0] B;
991     output [Y_WIDTH-1:0] Y;
992
993     generate
994         if (A_SIGNED && B_SIGNED) begin:BLOCK1
995             assign Y = $signed(A) + $signed(B);
996         end else begin:BLOCK2
997             assign Y = A + B;
998         end
999     endgenerate
1000
1001 endmodule

```

yosys> help \$and

A bit-wise AND. This corresponds to the Verilog '&' operator.

#### Properties

*is\_evaluable*

Simulation model (verilog)

Listing 9.12: simlib.v

```

154 module \${and} (A, B, Y);
155
156     parameter A_SIGNED = 0;
157     parameter B_SIGNED = 0;
158     parameter A_WIDTH = 0;
159     parameter B_WIDTH = 0;
160     parameter Y_WIDTH = 0;
161
162     input [A_WIDTH-1:0] A;
163     input [B_WIDTH-1:0] B;
164     output [Y_WIDTH-1:0] Y;
165
166     generate
167         if (A_SIGNED && B_SIGNED) begin:BLOCK1
168             assign Y = $signed(A) & $signed(B);
169         end else begin:BLOCK2
170             assign Y = A & B;
171         end

```

(continues on next page)

(continued from previous page)

```

172     endgenerate
173
174 endmodule

```

yosys> help \$bweqx

### Bit-wise case equality

A bit-wise version of *\$eqx*.

#### Properties

- *is\_evaluable*
- *x-aware*

Simulation model (verilog)

Listing 9.13: simlib.v

```

2013 module \bweqx (A, B, Y);
2014
2015     parameter WIDTH = 0;
2016
2017     input [WIDTH-1:0] A, B;
2018     output [WIDTH-1:0] Y;
2019
2020     genvar i;
2021     generate
2022         for (i = 0; i < WIDTH; i = i + 1) begin:slices
2023             assign Y[i] = A[i] === B[i];
2024         end
2025     endgenerate
2026
2027 endmodule

```

yosys> help \$div

### Divider

This corresponds to the Verilog */* operator, performing division and truncating the result (rounding towards 0).

#### Properties

- *is\_evaluable*
- *x-output*

Simulation model (verilog)

Listing 9.14: simlib.v

```

1340 module $div (A, B, Y);
1341
1342     parameter A_SIGNED = 0;
1343     parameter B_SIGNED = 0;
1344     parameter A_WIDTH = 0;
1345     parameter B_WIDTH = 0;

```

(continues on next page)

(continued from previous page)

```

1346 parameter Y_WIDTH = 0;
1347
1348 input [A_WIDTH-1:0] A;
1349 input [B_WIDTH-1:0] B;
1350 output [Y_WIDTH-1:0] Y;
1351
1352 generate
1353     if (A_SIGNED && B_SIGNED) begin:BLOCK1
1354         assign Y = $signed(A) / $signed(B);
1355     end else begin:BLOCK2
1356         assign Y = A / B;
1357     end
1358 endgenerate
1359
1360 endmodule

```

yosys> help \$divfloor

Division with floored result (rounded towards negative infinity).

#### Properties

*is\_evaluable*

Simulation model (verilog)

Listing 9.15: simlib.v

```

1403 module \divfloor (A, B, Y);
1404
1405     parameter A_SIGNED = 0;
1406     parameter B_SIGNED = 0;
1407     parameter A_WIDTH = 0;
1408     parameter B_WIDTH = 0;
1409     parameter Y_WIDTH = 0;
1410
1411     input [A_WIDTH-1:0] A;
1412     input [B_WIDTH-1:0] B;
1413     output [Y_WIDTH-1:0] Y;
1414
1415     generate
1416         if (A_SIGNED && B_SIGNED) begin:BLOCK1
1417             localparam WIDTH =
1418                 A_WIDTH >= B_WIDTH && A_WIDTH >= Y_WIDTH ? A_WIDTH :
1419                 B_WIDTH >= A_WIDTH && B_WIDTH >= Y_WIDTH ? B_WIDTH : Y_WIDTH;
1420             wire [WIDTH:0] A_buf, B_buf, N_buf;
1421             assign A_buf = $signed(A);
1422             assign B_buf = $signed(B);
1423             assign N_buf = (A[A_WIDTH-1] == B[B_WIDTH-1]) || A == 0 ? A_buf :
1424             ↪ $signed(A_buf - (B[B_WIDTH-1] ? B_buf+1 : B_buf-1));
1425             assign Y = $signed(N_buf) / $signed(B_buf);
1426         end else begin:BLOCK2
1427             assign Y = A / B;
1428         end
1429     endgenerate

```

(continues on next page)

(continued from previous page)

```
1429
1430 endmodule
```

```
yosys> help $eq
```

An equality comparison between inputs 'A' and 'B'. This corresponds to the Verilog '==' operator.

**Properties**

- is\_evaluable*

Simulation model (verilog)

Listing 9.16: simlib.v

```
790 module \ $eq (A, B, Y);
791
792     parameter A_SIGNED = 0;
793     parameter B_SIGNED = 0;
794     parameter A_WIDTH = 0;
795     parameter B_WIDTH = 0;
796     parameter Y_WIDTH = 0;
797
798     input [A_WIDTH-1:0] A;
799     input [B_WIDTH-1:0] B;
800     output [Y_WIDTH-1:0] Y;
801
802     generate
803         if (A_SIGNED && B_SIGNED) begin:BLOCK1
804             assign Y = $signed(A) == $signed(B);
805         end else begin:BLOCK2
806             assign Y = A == B;
807         end
808     endgenerate
809
810 endmodule
```

```
yosys> help $eqx
```

**Case equality**

An exact equality comparison between inputs 'A' and 'B'. Also known as the case equality operator. This corresponds to the Verilog '=== ' operator. Unlike equality comparison that can give 'x' as output, an exact equality comparison will strictly give '0' or '1' as output, even if input includes 'x' or 'z' values.

**Properties**

- is\_evaluable*
- x-aware*

Simulation model (verilog)

Listing 9.17: simlib.v

```
855 module \ $eqx (A, B, Y);
856
```

(continues on next page)

(continued from previous page)

```

857 parameter A_SIGNED = 0;
858 parameter B_SIGNED = 0;
859 parameter A_WIDTH = 0;
860 parameter B_WIDTH = 0;
861 parameter Y_WIDTH = 0;
862
863 input [A_WIDTH-1:0] A;
864 input [B_WIDTH-1:0] B;
865 output [Y_WIDTH-1:0] Y;
866
867 generate
868     if (A_SIGNED && B_SIGNED) begin:BLOCK1
869         assign Y = $signed(A) === $signed(B);
870     end else begin:BLOCK2
871         assign Y = A === B;
872     end
873 endgenerate
874
875 endmodule

```

yosys> help \$ge

A greater-than-or-equal-to comparison between inputs 'A' and 'B'. This corresponds to the Verilog '>=' operator.

#### Properties

*is\_evaluable*

Simulation model (verilog)

Listing 9.18: simlib.v

```

918 module \ $ge (A, B, Y);
919
920 parameter A_SIGNED = 0;
921 parameter B_SIGNED = 0;
922 parameter A_WIDTH = 0;
923 parameter B_WIDTH = 0;
924 parameter Y_WIDTH = 0;
925
926 input [A_WIDTH-1:0] A;
927 input [B_WIDTH-1:0] B;
928 output [Y_WIDTH-1:0] Y;
929
930 generate
931     if (A_SIGNED && B_SIGNED) begin:BLOCK1
932         assign Y = $signed(A) >= $signed(B);
933     end else begin:BLOCK2
934         assign Y = A >= B;
935     end
936 endgenerate
937
938 endmodule

```

yosys> help \$gt

A greater-than comparison between inputs ‘A’ and ‘B’. This corresponds to the Verilog ‘>’ operator.

### Properties

*is\_evaluable*

Simulation model (verilog)

Listing 9.19: simlib.v

```

950 module \&gtgt (A, B, Y);
951
952     parameter A_SIGNED = 0;
953     parameter B_SIGNED = 0;
954     parameter A_WIDTH = 0;
955     parameter B_WIDTH = 0;
956     parameter Y_WIDTH = 0;
957
958     input [A_WIDTH-1:0] A;
959     input [B_WIDTH-1:0] B;
960     output [Y_WIDTH-1:0] Y;
961
962     generate
963         if (A_SIGNED && B_SIGNED) begin:BLOCK1
964             assign Y = $signed(A) > $signed(B);
965         end else begin:BLOCK2
966             assign Y = A > B;
967         end
968     endgenerate
969
970 endmodule

```

yosys> help \$le

A less-than-or-equal-to comparison between inputs ‘A’ and ‘B’. This corresponds to the Verilog ‘<=’ operator.

### Properties

*is\_evaluable*

Simulation model (verilog)

Listing 9.20: simlib.v

```

758 module \<le (A, B, Y);
759
760     parameter A_SIGNED = 0;
761     parameter B_SIGNED = 0;
762     parameter A_WIDTH = 0;
763     parameter B_WIDTH = 0;
764     parameter Y_WIDTH = 0;
765
766     input [A_WIDTH-1:0] A;
767     input [B_WIDTH-1:0] B;
768     output [Y_WIDTH-1:0] Y;
769

```

(continues on next page)

(continued from previous page)

```

770     generate
771         if (A_SIGNED && B_SIGNED) begin:BLOCK1
772             assign Y = $signed(A) <= $signed(B);
773         end else begin:BLOCK2
774             assign Y = A <= B;
775         end
776     endgenerate
777
778 endmodule

```

yosys> help \$logic\_and

A logical AND. This corresponds to the Verilog '&&' operator.

#### Properties

*is\_evaluable*

Simulation model (verilog)

Listing 9.21: simlib.v

```

1549 module \ $logic_and (A, B, Y);
1550
1551     parameter A_SIGNED = 0;
1552     parameter B_SIGNED = 0;
1553     parameter A_WIDTH = 0;
1554     parameter B_WIDTH = 0;
1555     parameter Y_WIDTH = 0;
1556
1557     input [A_WIDTH-1:0] A;
1558     input [B_WIDTH-1:0] B;
1559     output [Y_WIDTH-1:0] Y;
1560
1561     generate
1562         if (A_SIGNED && B_SIGNED) begin:BLOCK1
1563             assign Y = $signed(A) && $signed(B);
1564         end else begin:BLOCK2
1565             assign Y = A && B;
1566         end
1567     endgenerate
1568
1569 endmodule

```

yosys> help \$logic\_or

A logical OR. This corresponds to the Verilog '||' operator.

#### Properties

*is\_evaluable*

Simulation model (verilog)

Listing 9.22: simlib.v

```

1580 module \ $logic_or (A, B, Y);
1581

```

(continues on next page)

(continued from previous page)

```

1582 parameter A_SIGNED = 0;
1583 parameter B_SIGNED = 0;
1584 parameter A_WIDTH = 0;
1585 parameter B_WIDTH = 0;
1586 parameter Y_WIDTH = 0;
1587
1588 input [A_WIDTH-1:0] A;
1589 input [B_WIDTH-1:0] B;
1590 output [Y_WIDTH-1:0] Y;
1591
1592 generate
1593     if (A_SIGNED && B_SIGNED) begin:BLOCK1
1594         assign Y = $signed(A) || $signed(B);
1595     end else begin:BLOCK2
1596         assign Y = A || B;
1597     end
1598 endgenerate
1599
1600 endmodule

```

yosys> help \$lt

A less-than comparison between inputs 'A' and 'B'. This corresponds to the Verilog '<' operator.

#### Properties

*is\_evaluable*

Simulation model (verilog)

Listing 9.23: simlib.v

```

726 module \ $lt (A, B, Y);
727
728 parameter A_SIGNED = 0;
729 parameter B_SIGNED = 0;
730 parameter A_WIDTH = 0;
731 parameter B_WIDTH = 0;
732 parameter Y_WIDTH = 0;
733
734 input [A_WIDTH-1:0] A;
735 input [B_WIDTH-1:0] B;
736 output [Y_WIDTH-1:0] Y;
737
738 generate
739     if (A_SIGNED && B_SIGNED) begin:BLOCK1
740         assign Y = $signed(A) < $signed(B);
741     end else begin:BLOCK2
742         assign Y = A < B;
743     end
744 endgenerate
745
746 endmodule

```

yosys> help \$mod

**Modulo**

This corresponds to the Verilog ‘%’ operator, giving the module (or remainder) of division and truncating the result (rounding towards 0).

Invariant:  $\$div(A, B) * B + \$mod(A, B) == A$

**Properties**

- *is\_evaluable*
- *x-output*

Simulation model (verilog)

Listing 9.24: simlib.v

```

1372 module \${mod} (A, B, Y);
1373
1374     parameter A_SIGNED = 0;
1375     parameter B_SIGNED = 0;
1376     parameter A_WIDTH = 0;
1377     parameter B_WIDTH = 0;
1378     parameter Y_WIDTH = 0;
1379
1380     input [A_WIDTH-1:0] A;
1381     input [B_WIDTH-1:0] B;
1382     output [Y_WIDTH-1:0] Y;
1383
1384     generate
1385         if (A_SIGNED && B_SIGNED) begin:BLOCK1
1386             assign Y = $signed(A) % $signed(B);
1387         end else begin:BLOCK2
1388             assign Y = A % B;
1389         end
1390     endgenerate
1391
1392 endmodule

```

yosys> help \$modfloor

Modulo/remainder of division with floored result (rounded towards negative infinity).

Invariant:  $\$divfloor(A, B) * B + \$modfloor(A, B) == A$

**Properties**

- *is\_evaluable*

Simulation model (verilog)

Listing 9.25: simlib.v

```

1443 module \${modfloor} (A, B, Y);
1444
1445     parameter A_SIGNED = 0;
1446     parameter B_SIGNED = 0;
1447     parameter A_WIDTH = 0;
1448     parameter B_WIDTH = 0;
1449     parameter Y_WIDTH = 0;

```

(continues on next page)

(continued from previous page)

```

1450
1451   input [A_WIDTH-1:0] A;
1452   input [B_WIDTH-1:0] B;
1453   output [Y_WIDTH-1:0] Y;
1454
1455   generate
1456     if (A_SIGNED && B_SIGNED) begin:BLOCK1
1457       localparam WIDTH = B_WIDTH >= Y_WIDTH ? B_WIDTH : Y_WIDTH;
1458       wire [WIDTH-1:0] B_buf, Y_trunc;
1459       assign B_buf = $signed(B);
1460       assign Y_trunc = $signed(A) % $signed(B);
1461       // flooring mod is the same as truncating mod for positive division
1462       →results (A and B have
1463         // the same sign), as well as when there's no remainder.
1464         // For all other cases, they behave as `floor - trunc = B`
1465         assign Y = (A[A_WIDTH-1] == B[B_WIDTH-1] || Y_trunc == 0 ? Y_trunc :
1466         →$signed(B_buf) + $signed(Y_trunc);
1467     end else begin:BLOCK2
1468       // no difference between truncating and flooring for unsigned
1469       assign Y = A % B;
1470     end
1471   endgenerate
1472 endmodule

```

yosys> help \$mul

Multiplication of inputs 'A' and 'B'. This corresponds to the Verilog '\*' operator.

#### Properties

*is\_evaluable*

Simulation model (verilog)

Listing 9.26: simlib.v

```

1045 module \ $mul (A, B, Y);
1046
1047   parameter A_SIGNED = 0;
1048   parameter B_SIGNED = 0;
1049   parameter A_WIDTH = 0;
1050   parameter B_WIDTH = 0;
1051   parameter Y_WIDTH = 0;
1052
1053   input [A_WIDTH-1:0] A;
1054   input [B_WIDTH-1:0] B;
1055   output [Y_WIDTH-1:0] Y;
1056
1057   generate
1058     if (A_SIGNED && B_SIGNED) begin:BLOCK1
1059       assign Y = $signed(A) * $signed(B);
1060     end else begin:BLOCK2
1061       assign Y = A * B;
1062     end

```

(continues on next page)

(continued from previous page)

```

1063     endgenerate
1064
1065 endmodule

```

yosys> help \$ne

An inequality comparison between inputs 'A' and 'B'. This corresponds to the Verilog '!=' operator.

#### Properties

*is\_evaluable*

Simulation model (verilog)

Listing 9.27: simlib.v

```

822 module \ $ne (A, B, Y);
823
824     parameter A_SIGNED = 0;
825     parameter B_SIGNED = 0;
826     parameter A_WIDTH = 0;
827     parameter B_WIDTH = 0;
828     parameter Y_WIDTH = 0;
829
830     input [A_WIDTH-1:0] A;
831     input [B_WIDTH-1:0] B;
832     output [Y_WIDTH-1:0] Y;
833
834     generate
835         if (A_SIGNED && B_SIGNED) begin:BLOCK1
836             assign Y = $signed(A) != $signed(B);
837         end else begin:BLOCK2
838             assign Y = A != B;
839         end
840     endgenerate
841
842 endmodule

```

yosys> help \$nex

#### Case inequality

This corresponds to the Verilog '!===' operator.

Refer to *\$eqx* for more details.

#### Properties

- *is\_evaluable*
- *x-aware*

Simulation model (verilog)

Listing 9.28: simlib.v

```

886 module \ $nex (A, B, Y);
887
888     parameter A_SIGNED = 0;

```

(continues on next page)

(continued from previous page)

```

889 parameter B_SIGNED = 0;
890 parameter A_WIDTH = 0;
891 parameter B_WIDTH = 0;
892 parameter Y_WIDTH = 0;
893
894 input [A_WIDTH-1:0] A;
895 input [B_WIDTH-1:0] B;
896 output [Y_WIDTH-1:0] Y;
897
898 generate
899     if (A_SIGNED && B_SIGNED) begin:BLOCK1
900         assign Y = $signed(A) !== $signed(B);
901     end else begin:BLOCK2
902         assign Y = A !== B;
903     end
904 endgenerate
905
906 endmodule

```

yosys> help \$or

A bit-wise OR. This corresponds to the Verilog ‘|’ operator.

#### Properties

*is\_evaluable*

Simulation model (verilog)

Listing 9.29: simlib.v

```

185 module \$or (A, B, Y);
186
187     parameter A_SIGNED = 0;
188     parameter B_SIGNED = 0;
189     parameter A_WIDTH = 0;
190     parameter B_WIDTH = 0;
191     parameter Y_WIDTH = 0;
192
193     input [A_WIDTH-1:0] A;
194     input [B_WIDTH-1:0] B;
195     output [Y_WIDTH-1:0] Y;
196
197     generate
198         if (A_SIGNED && B_SIGNED) begin:BLOCK1
199             assign Y = $signed(A) | $signed(B);
200         end else begin:BLOCK2
201             assign Y = A | B;
202         end
203     endgenerate
204
205 endmodule

```

yosys> help \$pow

Exponentiation of an input ( $Y = A ** B$ ). This corresponds to the Verilog ‘\*\*’ operator.

**Properties***is\_evaluable*

Simulation model (verilog)

Listing 9.30: simlib.v

```

1485 module \$pow (A, B, Y);
1486
1487     parameter A_SIGNED = 0;
1488     parameter B_SIGNED = 0;
1489     parameter A_WIDTH = 0;
1490     parameter B_WIDTH = 0;
1491     parameter Y_WIDTH = 0;
1492
1493     input [A_WIDTH-1:0] A;
1494     input [B_WIDTH-1:0] B;
1495     output [Y_WIDTH-1:0] Y;
1496
1497     generate
1498         if (A_SIGNED && B_SIGNED) begin:BLOCK1
1499             assign Y = $signed(A) ** $signed(B);
1500         end else if (A_SIGNED) begin:BLOCK2
1501             assign Y = $signed(A) ** B;
1502         end else if (B_SIGNED) begin:BLOCK3
1503             assign Y = A ** $signed(B);
1504         end else begin:BLOCK4
1505             assign Y = A ** B;
1506         end
1507     endgenerate
1508
1509 endmodule

```

yosys&gt; help \$shift

**Variable shifter**

Performs a right logical shift if the second operand is positive (or unsigned), and a left logical shift if it is negative.

**Properties***is\_evaluable*

Simulation model (verilog)

Listing 9.31: simlib.v

```

543 module \$shift (A, B, Y);
544
545     parameter A_SIGNED = 0;
546     parameter B_SIGNED = 0;
547     parameter A_WIDTH = 0;
548     parameter B_WIDTH = 0;
549     parameter Y_WIDTH = 0;
550
551     input [A_WIDTH-1:0] A;

```

(continues on next page)

(continued from previous page)

```

552 input [B_WIDTH-1:0] B;
553 output [Y_WIDTH-1:0] Y;
554
555 generate
556     if (A_SIGNED) begin:BLOCK1
557         if (B_SIGNED) begin:BLOCK2
558             assign Y = $signed(B) < 0 ? $signed(A) << -B : $signed(A) >> B;
559         end else begin:BLOCK3
560             assign Y = $signed(A) >> B;
561         end
562     end else begin:BLOCK4
563         if (B_SIGNED) begin:BLOCK5
564             assign Y = $signed(B) < 0 ? A << -B : A >> B;
565         end else begin:BLOCK6
566             assign Y = A >> B;
567         end
568     end
569 endgenerate
570
571 endmodule

```

yosys> help \$shiftx

#### Indexed part-select

Same as the *\$shift* cell, but fills with 'x'.

#### Properties

- *is\_evaluable*
- *x-output*

Simulation model (verilog)

Listing 9.32: simlib.v

```

580 module \ $shiftx (A, B, Y);
581
582     parameter A_SIGNED = 0;
583     parameter B_SIGNED = 0;
584     parameter A_WIDTH = 0;
585     parameter B_WIDTH = 0;
586     parameter Y_WIDTH = 0;
587
588     input [A_WIDTH-1:0] A;
589     input [B_WIDTH-1:0] B;
590     output [Y_WIDTH-1:0] Y;
591
592     generate
593         if (Y_WIDTH > 0)
594             if (B_SIGNED) begin:BLOCK1
595                 assign Y = A[$signed(B) +: Y_WIDTH];
596             end else begin:BLOCK2
597                 assign Y = A[B +: Y_WIDTH];

```

(continues on next page)

(continued from previous page)

```

598         end
599     endgenerate
600
601 endmodule

```

yosys> help \$shl

A logical shift-left operation. This corresponds to the Verilog '<<' operator.

**Properties**

*is\_evaluable*

Simulation model (verilog)

Listing 9.33: simlib.v

```

419 module \ $shl (A, B, Y);
420
421     parameter A_SIGNED = 0;
422     parameter B_SIGNED = 0;
423     parameter A_WIDTH = 0;
424     parameter B_WIDTH = 0;
425     parameter Y_WIDTH = 0;
426
427     input [A_WIDTH-1:0] A;
428     input [B_WIDTH-1:0] B;
429     output [Y_WIDTH-1:0] Y;
430
431     generate
432         if (A_SIGNED) begin:BLOCK1
433             assign Y = $signed(A) << B;
434         end else begin:BLOCK2
435             assign Y = A << B;
436         end
437     endgenerate
438
439 endmodule

```

yosys> help \$shr

A logical shift-right operation. This corresponds to the Verilog '>>' operator.

**Properties**

*is\_evaluable*

Simulation model (verilog)

Listing 9.34: simlib.v

```

450 module \ $shr (A, B, Y);
451
452     parameter A_SIGNED = 0;
453     parameter B_SIGNED = 0;
454     parameter A_WIDTH = 0;
455     parameter B_WIDTH = 0;
456     parameter Y_WIDTH = 0;

```

(continues on next page)

(continued from previous page)

```

457
458   input [A_WIDTH-1:0] A;
459   input [B_WIDTH-1:0] B;
460   output [Y_WIDTH-1:0] Y;
461
462   generate
463     if (A_SIGNED) begin:BLOCK1
464       assign Y = $signed(A) >> B;
465     end else begin:BLOCK2
466       assign Y = A >> B;
467     end
468   endgenerate
469
470 endmodule

```

yosys> help \$sshl

An arithmetic shift-left operation. This corresponds to the Verilog '<<<' operator.

#### Properties

*is\_evaluable*

Simulation model (verilog)

Listing 9.35: simlib.v

```

482 module \$sshl (A, B, Y);
483
484   parameter A_SIGNED = 0;
485   parameter B_SIGNED = 0;
486   parameter A_WIDTH = 0;
487   parameter B_WIDTH = 0;
488   parameter Y_WIDTH = 0;
489
490   input [A_WIDTH-1:0] A;
491   input [B_WIDTH-1:0] B;
492   output [Y_WIDTH-1:0] Y;
493
494   generate
495     if (A_SIGNED) begin:BLOCK1
496       assign Y = $signed(A) <<< B;
497     end else begin:BLOCK2
498       assign Y = A <<< B;
499     end
500   endgenerate
501
502 endmodule

```

yosys> help \$sshr

An arithmetic shift-right operation. This corresponds to the Verilog '>>>' operator.

#### Properties

*is\_evaluable*

Simulation model (verilog)

Listing 9.36: simlib.v

```

514 module \$sshr (A, B, Y);
515
516     parameter A_SIGNED = 0;
517     parameter B_SIGNED = 0;
518     parameter A_WIDTH = 0;
519     parameter B_WIDTH = 0;
520     parameter Y_WIDTH = 0;
521
522     input [A_WIDTH-1:0] A;
523     input [B_WIDTH-1:0] B;
524     output [Y_WIDTH-1:0] Y;
525
526     generate
527         if (A_SIGNED) begin:BLOCK1
528             assign Y = $signed(A) >>> B;
529         end else begin:BLOCK2
530             assign Y = A >>> B;
531         end
532     endgenerate
533
534 endmodule

```

yosys> help \$sub

Subtraction between inputs 'A' and 'B'. This corresponds to the Verilog '-' operator.

#### Properties

*is\_evaluable*

Simulation model (verilog)

Listing 9.37: simlib.v

```

1013 module \$sub (A, B, Y);
1014
1015     parameter A_SIGNED = 0;
1016     parameter B_SIGNED = 0;
1017     parameter A_WIDTH = 0;
1018     parameter B_WIDTH = 0;
1019     parameter Y_WIDTH = 0;
1020
1021     input [A_WIDTH-1:0] A;
1022     input [B_WIDTH-1:0] B;
1023     output [Y_WIDTH-1:0] Y;
1024
1025     generate
1026         if (A_SIGNED && B_SIGNED) begin:BLOCK1
1027             assign Y = $signed(A) - $signed(B);
1028         end else begin:BLOCK2
1029             assign Y = A - B;
1030         end
1031     endgenerate
1032

```

(continues on next page)

(continued from previous page)

1033 `endmodule`

yosys&gt; help \$xnor

A bit-wise XNOR. This corresponds to the Verilog ‘`~^`’ operator.**Properties***is\_evaluable*

Simulation model (verilog)

Listing 9.38: simlib.v

```

247 module \xnor (A, B, Y);
248
249     parameter A_SIGNED = 0;
250     parameter B_SIGNED = 0;
251     parameter A_WIDTH = 0;
252     parameter B_WIDTH = 0;
253     parameter Y_WIDTH = 0;
254
255     input [A_WIDTH-1:0] A;
256     input [B_WIDTH-1:0] B;
257     output [Y_WIDTH-1:0] Y;
258
259     generate
260         if (A_SIGNED && B_SIGNED) begin:BLOCK1
261             assign Y = $signed(A) ~^ $signed(B);
262         end else begin:BLOCK2
263             assign Y = A ~^ B;
264         end
265     endgenerate
266
267 endmodule

```

yosys&gt; help \$xor

A bit-wise XOR. This corresponds to the Verilog ‘`^`’ operator.**Properties***is\_evaluable*

Simulation model (verilog)

Listing 9.39: simlib.v

```

216 module \xor (A, B, Y);
217
218     parameter A_SIGNED = 0;
219     parameter B_SIGNED = 0;
220     parameter A_WIDTH = 0;
221     parameter B_WIDTH = 0;
222     parameter Y_WIDTH = 0;
223
224     input [A_WIDTH-1:0] A;
225     input [B_WIDTH-1:0] B;

```

(continues on next page)

(continued from previous page)

```

226     output [Y_WIDTH-1:0] Y;
227
228     generate
229         if (A_SIGNED && B_SIGNED) begin:BLOCK1
230             assign Y = $signed(A) ^ $signed(B);
231         end else begin:BLOCK2
232             assign Y = A ^ B;
233         end
234     endgenerate
235
236 endmodule

```

### 9.1.3 Multiplexers

Multiplexers are generated by the Verilog HDL frontend for `?:`-expressions. Multiplexers are also generated by the proc pass to map the decision trees from RTLIL::Process objects to logic.

The simplest multiplexer cell type is `$mux`. Cells of this type have a WIDTH parameter and data inputs A and B and a data output Y, all of the specified width. This cell also has a single bit control input S. If S is 0 the value from the input A is sent to the output, if it is 1 the value from the B input is sent to the output. So the `$mux` cell implements the function  $Y = S ? B : A$ .

The `$pmux` cell is used to multiplex between many inputs using a one-hot select signal. Cells of this type have a WIDTH and a S\_WIDTH parameter and inputs A, B, and S and an output Y. The S input is S\_WIDTH bits wide. The A input and the output are both WIDTH bits wide and the B input is WIDTH\*S\_WIDTH bits wide. When all bits of S are zero, the value from A input is sent to the output. If the  $n$ 'th bit from S is set, the value  $n$ 'th WIDTH bits wide slice of the B input is sent to the output. When more than one bit from S is set the output is undefined. Cells of this type are used to model “parallel cases” (defined by using the `parallel_case` attribute, the `unique` or `unique0` SystemVerilog keywords, or detected by an optimization).

The `$tribuf` cell is used to implement tristate logic. Cells of this type have a WIDTH parameter and inputs A and EN and an output Y. The A input and Y output are WIDTH bits wide, and the EN input is one bit wide. When EN is 0, the output is not driven. When EN is 1, the value from A input is sent to the Y output. Therefore, the `$tribuf` cell implements the function  $Y = EN ? A : 'bz$ .

Behavioural code with cascaded if-then-else- and case-statements usually results in trees of multiplexer cells. Many passes (from various optimizations to FSM extraction) heavily depend on these multiplexer trees to understand dependencies between signals. Therefore optimizations should not break these multiplexer trees (e.g. by replacing a multiplexer between a calculated signal and a constant zero with an `$and` gate).

```
yosys> help $bmux
```

#### Binary-encoded multiplexer

Selects between ‘slices’ of A where each value of S corresponds to a unique slice.

#### Properties

*is\_evaluable*

Simulation model (verilog)

Listing 9.40: simlib.v

```

1666 module \ $bmux (A, S, Y);
1667

```

(continues on next page)

(continued from previous page)

```

1668 parameter WIDTH = 0;
1669 parameter S_WIDTH = 0;
1670
1671 input [(WIDTH << S_WIDTH)-1:0] A;
1672 input [S_WIDTH-1:0] S;
1673 output [WIDTH-1:0] Y;
1674
1675 wire [WIDTH-1:0] bm0_out, bm1_out;
1676
1677 generate
1678     if (S_WIDTH > 1) begin:muxlogic
1679         \bmux #(.WIDTH(WIDTH), .S_WIDTH(S_WIDTH-1)) bm0 (.A(A[(WIDTH << (S_
1680 →WIDTH - 1))-1:0]), .S(S[S_WIDTH-2:0]), .Y(bm0_out));
1681         \bmux #(.WIDTH(WIDTH), .S_WIDTH(S_WIDTH-1)) bm1 (.A(A[(WIDTH << S_
1682 →WIDTH)-1:WIDTH << (S_WIDTH - 1)]), .S(S[S_WIDTH-2:0]), .Y(bm1_out));
1683         assign Y = S[S_WIDTH-1] ? bm1_out : bm0_out;
1684     end else if (S_WIDTH == 1) begin:simple
1685         assign Y = S ? A[2*WIDTH-1:WIDTH] : A[WIDTH-1:0];
1686     end else begin:passthru
1687         assign Y = A;
1688     end
1689 endgenerate
1690 endmodule

```

yosys> help \$bwmux

### Bit-wise multiplexer

Equivalent to a series of 1-bit wide *\$mux* cells.

#### Properties

*is\_evaluable*

Simulation model (verilog)

Listing 9.41: simlib.v

```

2035 module \bwmux (A, B, S, Y);
2036
2037     parameter WIDTH = 0;
2038
2039     input [WIDTH-1:0] A, B;
2040     input [WIDTH-1:0] S;
2041     output [WIDTH-1:0] Y;
2042
2043     genvar i;
2044     generate
2045         for (i = 0; i < WIDTH; i = i + 1) begin:slices
2046             assign Y[i] = S[i] ? B[i] : A[i];
2047         end
2048     endgenerate
2049
2050 endmodule

```

yosys> help \$demux

Demultiplexer i.e routing single input to several outputs based on select signal. Unselected outputs are driven to zero.

**Properties**

*is\_evaluable*

Simulation model (verilog)

Listing 9.42: simlib.v

```

1741 module \demux (A, S, Y);
1742
1743     parameter WIDTH = 1;
1744     parameter S_WIDTH = 1;
1745
1746     input [WIDTH-1:0] A;
1747     input [S_WIDTH-1:0] S;
1748     output [(WIDTH << S_WIDTH)-1:0] Y;
1749
1750     genvar i;
1751     generate
1752         for (i = 0; i < (1 << S_WIDTH); i = i + 1) begin:slices
1753             assign Y[i*WIDTH+:WIDTH] = (S == i) ? A : 0;
1754         end
1755     endgenerate
1756
1757 endmodule

```

yosys> help \$mux

Multiplexer i.e selecting between two inputs based on select signal.

**Properties**

*is\_evaluable*

Simulation model (verilog)

Listing 9.43: simlib.v

```

1647 module \mux (A, B, S, Y);
1648
1649     parameter WIDTH = 0;
1650
1651     input [WIDTH-1:0] A, B;
1652     input S;
1653     output [WIDTH-1:0] Y;
1654
1655     assign Y = S ? B : A;
1656
1657 endmodule

```

yosys> help \$pmux

**Priority-encoded multiplexer**

Selects between ‘slices’ of B where each slice corresponds to a single bit of S. Outputs A when all bits of S are low.

## Properties

- *is\_evaluable*
- *x-output*

Simulation model (verilog)

Listing 9.44: simlib.v

```

1699 module \$_pmux (A, B, S, Y);
1700
1701     parameter WIDTH = 0;
1702     parameter S_WIDTH = 0;
1703
1704     input [WIDTH-1:0] A;
1705     input [WIDTH*S_WIDTH-1:0] B;
1706     input [S_WIDTH-1:0] S;
1707     output reg [WIDTH-1:0] Y;
1708
1709     integer i;
1710     reg found_active_sel_bit;
1711
1712     always @* begin
1713         Y = A;
1714         found_active_sel_bit = 0;
1715         for (i = 0; i < S_WIDTH; i = i+1)
1716             case (S[i])
1717                 1'b1: begin
1718                     Y = found_active_sel_bit ? 'bx : B >> (WIDTH*i);
1719                     found_active_sel_bit = 1;
1720                 end
1721                 1'b0: ;
1722                 1'bx: begin
1723                     Y = 'bx;
1724                     found_active_sel_bit = 'bx;
1725                 end
1726             endcase
1727     end
1728
1729 endmodule

```

yosys&gt; help \$tribuf

A tri-state buffer. This buffer conditionally drives the output with the value of the input based on the enable signal.

Simulation model (verilog)

Listing 9.45: simlib.v

```

1816 module \$_tribuf (A, EN, Y);
1817
1818     parameter WIDTH = 0;
1819
1820     input [WIDTH-1:0] A;

```

(continues on next page)

(continued from previous page)

```

1821     input EN;
1822     output [WIDTH-1:0] Y;
1823
1824     assign Y = EN ? A : 'bz;
1825
1826 endmodule

```

### 9.1.4 Registers

SR-type latches are represented by *\$sr* cells. These cells have input ports SET and CLR and an output port Q. They have the following parameters:

#### WIDTH

The width of inputs SET and CLR and output Q.

#### SET\_POLARITY

The set input bits are active-high if this parameter has the value 1'b1 and active-low if this parameter is 1'b0.

#### CLR\_POLARITY

The reset input bits are active-high if this parameter has the value 1'b1 and active-low if this parameter is 1'b0.

Both set and reset inputs have separate bits for every output bit. When both the set and reset inputs of an *\$sr* cell are active for a given bit index, the reset input takes precedence.

D-type flip-flops are represented by *\$dff* cells. These cells have a clock port CLK, an input port D and an output port Q. The following parameters are available for *\$dff* cells:

#### WIDTH

The width of input D and output Q.

#### CLK\_POLARITY

Clock is active on the positive edge if this parameter has the value 1'b1 and on the negative edge if this parameter is 1'b0.

D-type flip-flops with asynchronous reset are represented by *\$adff* cells. As the *\$dff* cells they have CLK, D and Q ports. In addition they also have a single-bit ARST input port for the reset pin and the following additional two parameters:

#### ARST\_POLARITY

The asynchronous reset is active-high if this parameter has the value 1'b1 and active-low if this parameter is 1'b0.

#### ARST\_VALUE

The state of Q will be set to this value when the reset is active.

Usually these cells are generated by the *proc* pass using the information in the designs RTLIL::Process objects.

D-type flip-flops with synchronous reset are represented by *\$sdff* cells. As the *\$dff* cells they have CLK, D and Q ports. In addition they also have a single-bit SRST input port for the reset pin and the following additional two parameters:

#### SRST\_POLARITY

The synchronous reset is active-high if this parameter has the value 1'b1 and active-low if this parameter is 1'b0.

**SRST\_VALUE**

The state of Q will be set to this value when the reset is active.

Note that the *\$adff* and *\$sdff* cells can only be used when the reset value is constant.

D-type flip-flops with asynchronous load are represented by *\$aldff* cells. As the *\$dff* cells they have CLK, D and Q ports. In addition they also have a single-bit ALOAD input port for the async load enable pin, a AD input port with the same width as data for the async load data, and the following additional parameter:

**ALOAD\_POLARITY**

The asynchronous load is active-high if this parameter has the value 1'b1 and active-low if this parameter is 1'b0.

D-type flip-flops with asynchronous set and reset are represented by *\$dffsr* cells. As the *\$dff* cells they have CLK, D and Q ports. In addition they also have multi-bit SET and CLR input ports and the corresponding polarity parameters, like *\$sr* cells. When both set and reset are active, the state and output is undefined.

D-type flip-flops with enable are represented by *\$dffe*, *\$adffe*, *\$aldffe*, *\$dffsre*, *\$sdffe*, and *\$sdffce* cells, which are enhanced variants of *\$dff*, *\$adff*, *\$aldff*, *\$dffsr*, *\$sdff* (with reset over enable) and *\$sdff* (with enable over reset) cells, respectively. They have the same ports and parameters as their base cell. In addition they also have a single-bit EN input port for the enable pin and the following parameter:

**EN\_POLARITY**

The enable input is active-high if this parameter has the value 1'b1 and active-low if this parameter is 1'b0.

D-type latches are represented by *\$dlatch* cells. These cells have an enable port EN, an input port D, and an output port Q. The following parameters are available for *\$dlatch* cells:

**WIDTH**

The width of input D and output Q.

**EN\_POLARITY**

The enable input is active-high if this parameter has the value 1'b1 and active-low if this parameter is 1'b0.

The latch is transparent when the EN input is active.

D-type latches with reset are represented by *\$adlatch* cells. In addition to *\$dlatch* ports and parameters, they also have a single-bit ARST input port for the reset pin and the following additional parameters:

**ARST\_POLARITY**

The asynchronous reset is active-high if this parameter has the value 1'b1 and active-low if this parameter is 1'b0.

**ARST\_VALUE**

The state of Q will be set to this value when the reset is active.

D-type latches with set and reset are represented by *\$dlatchsr* cells. In addition to *\$dlatch* ports and parameters, they also have multi-bit SET and CLR input ports and the corresponding polarity parameters, like *\$sr* cells.

```
yosys> help $adff
```

```
Simulation model (verilog)
```

Listing 9.46: simlib.v

```

2431 module \${dff} (CLK, ARST, D, Q);
2432
2433     parameter WIDTH = 0;
2434     parameter CLK_POLARITY = 1'b1;
2435     parameter ARST_POLARITY = 1'b1;
2436     parameter ARST_VALUE = 0;
2437
2438     input CLK, ARST;
2439     input [WIDTH-1:0] D;
2440     output reg [WIDTH-1:0] Q;
2441     wire pos_clk = CLK == CLK_POLARITY;
2442     wire pos_arst = ARST == ARST_POLARITY;
2443
2444     always @(posedge pos_clk, posedge pos_arst) begin
2445         if (pos_arst)
2446             Q <= ARST_VALUE;
2447         else
2448             Q <= D;
2449     end
2450
2451 endmodule

```

```
yosys> help $adffe
```

```
Simulation model (verilog)
```

Listing 9.47: simlib.v

```

2506 module \${adffe} (CLK, ARST, EN, D, Q);
2507
2508     parameter WIDTH = 0;
2509     parameter CLK_POLARITY = 1'b1;
2510     parameter EN_POLARITY = 1'b1;
2511     parameter ARST_POLARITY = 1'b1;
2512     parameter ARST_VALUE = 0;
2513
2514     input CLK, ARST, EN;
2515     input [WIDTH-1:0] D;
2516     output reg [WIDTH-1:0] Q;
2517     wire pos_clk = CLK == CLK_POLARITY;
2518     wire pos_arst = ARST == ARST_POLARITY;
2519
2520     always @(posedge pos_clk, posedge pos_arst) begin
2521         if (pos_arst)
2522             Q <= ARST_VALUE;
2523         else if (EN == EN_POLARITY)
2524             Q <= D;
2525     end
2526
2527 endmodule

```

```
yosys> help $adlatch
```

Simulation model (verilog)

Listing 9.48: simlib.v

```

2631 module \${adlatch} (EN, ARST, D, Q);
2632
2633     parameter WIDTH = 0;
2634     parameter EN_POLARITY = 1'b1;
2635     parameter ARST_POLARITY = 1'b1;
2636     parameter ARST_VALUE = 0;
2637
2638     input EN, ARST;
2639     input [WIDTH-1:0] D;
2640     output reg [WIDTH-1:0] Q;
2641
2642     always @* begin
2643         if (ARST == ARST_POLARITY)
2644             Q = ARST_VALUE;
2645         else if (EN == EN_POLARITY)
2646             Q = D;
2647     end
2648
2649 endmodule

```

yosys> help \$aldff

Simulation model (verilog)

Listing 9.49: simlib.v

```

2456 module \${aldff} (CLK, ALOAD, AD, D, Q);
2457
2458     parameter WIDTH = 0;
2459     parameter CLK_POLARITY = 1'b1;
2460     parameter ALOAD_POLARITY = 1'b1;
2461
2462     input CLK, ALOAD;
2463     input [WIDTH-1:0] AD;
2464     input [WIDTH-1:0] D;
2465     output reg [WIDTH-1:0] Q;
2466     wire pos_clk = CLK == CLK_POLARITY;
2467     wire pos_load = ALOAD == ALOAD_POLARITY;
2468
2469     always @(posedge pos_clk, posedge pos_load) begin
2470         if (pos_load)
2471             Q <= AD;
2472         else
2473             Q <= D;
2474     end
2475
2476 endmodule

```

yosys> help \$aldffe

Simulation model (verilog)

Listing 9.50: simlib.v

```

2532 module \${dffe} (CLK, ALOAD, AD, EN, D, Q);
2533
2534     parameter WIDTH = 0;
2535     parameter CLK_POLARITY = 1'b1;
2536     parameter EN_POLARITY = 1'b1;
2537     parameter ALOAD_POLARITY = 1'b1;
2538
2539     input CLK, ALOAD, EN;
2540     input [WIDTH-1:0] D;
2541     input [WIDTH-1:0] AD;
2542     output reg [WIDTH-1:0] Q;
2543     wire pos_clk = CLK == CLK_POLARITY;
2544     wire pos_aload = ALOAD == ALOAD_POLARITY;
2545
2546     always @(posedge pos_clk, posedge pos_aload) begin
2547         if (pos_aload)
2548             Q <= AD;
2549         else if (EN == EN_POLARITY)
2550             Q <= D;
2551     end
2552
2553 endmodule

```

```
yosys> help $dff
```

```
Simulation model (verilog)
```

Listing 9.51: simlib.v

```

2323 module \${dff} (CLK, D, Q);
2324
2325     parameter WIDTH = 0;
2326     parameter CLK_POLARITY = 1'b1;
2327
2328     input CLK;
2329     input [WIDTH-1:0] D;
2330     output reg [WIDTH-1:0] Q;
2331     wire pos_clk = CLK == CLK_POLARITY;
2332
2333     always @(posedge pos_clk) begin
2334         Q <= D;
2335     end
2336
2337 endmodule

```

```
yosys> help $dffe
```

```
Simulation model (verilog)
```

Listing 9.52: simlib.v

```

2342 module \dfffe (CLK, EN, D, Q);
2343
2344     parameter WIDTH = 0;
2345     parameter CLK_POLARITY = 1'b1;
2346     parameter EN_POLARITY = 1'b1;
2347
2348     input CLK, EN;
2349     input [WIDTH-1:0] D;
2350     output reg [WIDTH-1:0] Q;
2351     wire pos_clk = CLK == CLK_POLARITY;
2352
2353     always @(posedge pos_clk) begin
2354         if (EN == EN_POLARITY) Q <= D;
2355     end
2356
2357 endmodule

```

```
yosys> help $dffsr
```

```
Simulation model (verilog)
```

Listing 9.53: simlib.v

```

2363 module \dffsr (CLK, SET, CLR, D, Q);
2364
2365     parameter WIDTH = 0;
2366     parameter CLK_POLARITY = 1'b1;
2367     parameter SET_POLARITY = 1'b1;
2368     parameter CLR_POLARITY = 1'b1;
2369
2370     input CLK;
2371     input [WIDTH-1:0] SET, CLR, D;
2372     output reg [WIDTH-1:0] Q;
2373
2374     wire pos_clk = CLK == CLK_POLARITY;
2375     wire [WIDTH-1:0] pos_set = SET_POLARITY ? SET : ~SET;
2376     wire [WIDTH-1:0] pos_clr = CLR_POLARITY ? CLR : ~CLR;
2377
2378     genvar i;
2379     generate
2380         for (i = 0; i < WIDTH; i = i+1) begin:bitslices
2381             always @(posedge pos_set[i], posedge pos_clr[i], posedge pos_clk)
2382                 if (pos_clr[i])
2383                     Q[i] <= 0;
2384                 else if (pos_set[i])
2385                     Q[i] <= 1;
2386                 else
2387                     Q[i] <= D[i];
2388         end
2389     endgenerate
2390

```

(continues on next page)

(continued from previous page)

2391 `endmodule`

yosys&gt; help \$dffsre

Simulation model (verilog)

Listing 9.54: simlib.v

```

2396 module \dffsre (CLK, SET, CLR, EN, D, Q);
2397
2398     parameter WIDTH = 0;
2399     parameter CLK_POLARITY = 1'b1;
2400     parameter SET_POLARITY = 1'b1;
2401     parameter CLR_POLARITY = 1'b1;
2402     parameter EN_POLARITY = 1'b1;
2403
2404     input CLK, EN;
2405     input [WIDTH-1:0] SET, CLR, D;
2406     output reg [WIDTH-1:0] Q;
2407
2408     wire pos_clk = CLK == CLK_POLARITY;
2409     wire [WIDTH-1:0] pos_set = SET_POLARITY ? SET : ~SET;
2410     wire [WIDTH-1:0] pos_clr = CLR_POLARITY ? CLR : ~CLR;
2411
2412     genvar i;
2413     generate
2414         for (i = 0; i < WIDTH; i = i+1) begin:bitslices
2415             always @(posedge pos_set[i], posedge pos_clr[i], posedge pos_clk)
2416                 if (pos_clr[i])
2417                     Q[i] <= 0;
2418                 else if (pos_set[i])
2419                     Q[i] <= 1;
2420                 else if (EN == EN_POLARITY)
2421                     Q[i] <= D[i];
2422         end
2423     endgenerate
2424
2425 endmodule

```

yosys&gt; help \$dlatch

Simulation model (verilog)

Listing 9.55: simlib.v

```

2612 module \dlatch (EN, D, Q);
2613
2614     parameter WIDTH = 0;
2615     parameter EN_POLARITY = 1'b1;
2616
2617     input EN;
2618     input [WIDTH-1:0] D;
2619     output reg [WIDTH-1:0] Q;

```

(continues on next page)

(continued from previous page)

```

2620
2621     always @* begin
2622         if (EN == EN_POLARITY)
2623             Q = D;
2624     end
2625
2626 endmodule

```

yosys> help \$dlatchsr

Simulation model (verilog)

Listing 9.56: simlib.v

```

2655 module \ $dlatchsr (EN, SET, CLR, D, Q);
2656
2657     parameter WIDTH = 0;
2658     parameter EN_POLARITY = 1'b1;
2659     parameter SET_POLARITY = 1'b1;
2660     parameter CLR_POLARITY = 1'b1;
2661
2662     input EN;
2663     input [WIDTH-1:0] SET, CLR, D;
2664     output reg [WIDTH-1:0] Q;
2665
2666     wire pos_en = EN == EN_POLARITY;
2667     wire [WIDTH-1:0] pos_set = SET_POLARITY ? SET : ~SET;
2668     wire [WIDTH-1:0] pos_clr = CLR_POLARITY ? CLR : ~CLR;
2669
2670     genvar i;
2671     generate
2672         for (i = 0; i < WIDTH; i = i+1) begin:bitslices
2673             always @*
2674                 if (pos_clr[i])
2675                     Q[i] = 0;
2676                 else if (pos_set[i])
2677                     Q[i] = 1;
2678                 else if (pos_en)
2679                     Q[i] = D[i];
2680         end
2681     endgenerate
2682
2683 endmodule

```

yosys> help \$sdff

Simulation model (verilog)

Listing 9.57: simlib.v

```

2481 module \ $sdff (CLK, SRST, D, Q);
2482
2483     parameter WIDTH = 0;

```

(continues on next page)

(continued from previous page)

```

2484 parameter CLK_POLARITY = 1'b1;
2485 parameter SRST_POLARITY = 1'b1;
2486 parameter SRST_VALUE = 0;
2487
2488 input CLK, SRST;
2489 input [WIDTH-1:0] D;
2490 output reg [WIDTH-1:0] Q;
2491 wire pos_clk = CLK == CLK_POLARITY;
2492 wire pos_srst = SRST == SRST_POLARITY;
2493
2494 always @(posedge pos_clk) begin
2495     if (pos_srst)
2496         Q <= SRST_VALUE;
2497     else
2498         Q <= D;
2499 end
2500
2501 endmodule

```

```
yosys> help $sdffce
```

```
Simulation model (verilog)
```

Listing 9.58: simlib.v

```

2584 module \sdffce (CLK, SRST, EN, D, Q);
2585
2586     parameter WIDTH = 0;
2587     parameter CLK_POLARITY = 1'b1;
2588     parameter EN_POLARITY = 1'b1;
2589     parameter SRST_POLARITY = 1'b1;
2590     parameter SRST_VALUE = 0;
2591
2592     input CLK, SRST, EN;
2593     input [WIDTH-1:0] D;
2594     output reg [WIDTH-1:0] Q;
2595     wire pos_clk = CLK == CLK_POLARITY;
2596     wire pos_srst = SRST == SRST_POLARITY;
2597
2598     always @(posedge pos_clk) begin
2599         if (EN == EN_POLARITY) begin
2600             if (pos_srst)
2601                 Q <= SRST_VALUE;
2602             else
2603                 Q <= D;
2604         end
2605     end
2606
2607 endmodule

```

```
yosys> help $sdffe
```

```
Simulation model (verilog)
```

Listing 9.59: simlib.v

```

2558 module \$sdffe (CLK, SRST, EN, D, Q);
2559
2560     parameter WIDTH = 0;
2561     parameter CLK_POLARITY = 1'b1;
2562     parameter EN_POLARITY = 1'b1;
2563     parameter SRST_POLARITY = 1'b1;
2564     parameter SRST_VALUE = 0;
2565
2566     input CLK, SRST, EN;
2567     input [WIDTH-1:0] D;
2568     output reg [WIDTH-1:0] Q;
2569     wire pos_clk = CLK == CLK_POLARITY;
2570     wire pos_srst = SRST == SRST_POLARITY;
2571
2572     always @(posedge pos_clk) begin
2573         if (pos_srst)
2574             Q <= SRST_VALUE;
2575         else if (EN == EN_POLARITY)
2576             Q <= D;
2577     end
2578
2579 endmodule

```

```
yosys> help $sr
```

```
Simulation model (verilog)
```

Listing 9.60: simlib.v

```

2273 module \$sr (SET, CLR, Q);
2274
2275     parameter WIDTH = 0;
2276     parameter SET_POLARITY = 1'b1;
2277     parameter CLR_POLARITY = 1'b1;
2278
2279     input [WIDTH-1:0] SET, CLR;
2280     output reg [WIDTH-1:0] Q;
2281
2282     wire [WIDTH-1:0] pos_set = SET_POLARITY ? SET : ~SET;
2283     wire [WIDTH-1:0] pos_clr = CLR_POLARITY ? CLR : ~CLR;
2284
2285     genvar i;
2286     generate
2287         for (i = 0; i < WIDTH; i = i+1) begin:bitslices
2288             always @*
2289                 if (pos_clr[i])
2290                     Q[i] <= 0;
2291                 else if (pos_set[i])
2292                     Q[i] <= 1;
2293         end
2294     endgenerate

```

(continues on next page)

(continued from previous page)

```

2295
2296 endmodule

```

### 9.1.5 Memories

Memories are either represented using RTLIL::Memory objects, *\$memrd\_v2*, *\$memwr\_v2*, and *\$mement\_v2* cells, or by *\$mem\_v2* cells alone.

In the first alternative the RTLIL::Memory objects hold the general metadata for the memory (bit width, size in number of words, etc.) and for each port a *\$memrd\_v2* (read port) or *\$memwr\_v2* (write port) cell is created. Having individual cells for read and write ports has the advantage that they can be consolidated using resource sharing passes. In some cases this drastically reduces the number of required ports on the memory cell. In this alternative, memory initialization data is represented by *\$mement\_v2* cells, which allow delaying constant folding for initialization addresses and data until after the frontend finishes.

The *\$memrd\_v2* cells have a clock input CLK, an enable input EN, an address input ADDR, a data output DATA, an asynchronous reset input ARST, and a synchronous reset input SRST. They also have the following parameters:

#### MEMID

The name of the RTLIL::Memory object that is associated with this read port.

#### ABITS

The number of address bits (width of the ADDR input port).

#### WIDTH

The number of data bits (width of the DATA output port). Note that this may be a power-of-two multiple of the underlying memory's width – such ports are called wide ports and access an aligned group of cells at once. In this case, the corresponding low bits of ADDR must be tied to 0.

#### CLK\_ENABLE

When this parameter is non-zero, the clock is used. Otherwise this read port is asynchronous and the CLK input is not used.

#### CLK\_POLARITY

Clock is active on the positive edge if this parameter has the value 1'b1 and on the negative edge if this parameter is 1'b0.

#### TRANSPARENCY\_MASK

This parameter is a bitmask of write ports that this read port is transparent with. The bits of this parameter are indexed by the write port's PORTID parameter. Transparency can only be enabled between synchronous ports sharing a clock domain. When transparency is enabled for a given port pair, a read and write to the same address in the same cycle will return the new value. Otherwise the old value is returned.

#### COLLISION\_X\_MASK

This parameter is a bitmask of write ports that have undefined collision behavior with this port. The bits of this parameter are indexed by the write port's PORTID parameter. This behavior can only be enabled between synchronous ports sharing a clock domain. When undefined collision is enabled for a given port pair, a read and write to the same address in the same cycle will return the undefined (all-X) value. This option is exclusive (for a given port pair) with the transparency option.

#### ARST\_VALUE

Whenever the ARST input is asserted, the data output will be reset to this value. Only used for synchronous ports.

#### SRST\_VALUE

Whenever the SRST input is synchronously asserted, the data output will be reset to this value. Only

used for synchronous ports.

**INIT\_VALUE**

The initial value of the data output, for synchronous ports.

**CE\_OVER\_SRST**

If this parameter is non-zero, the **SRST** input is only recognized when **EN** is true. Otherwise, **SRST** is recognized regardless of **EN**.

The *\$memwr\_v2* cells have a clock input **CLK**, an enable input **EN** (one enable bit for each data bit), an address input **ADDR** and a data input **DATA**. They also have the following parameters:

**MEMID**

The name of the `RTLIL::Memory` object that is associated with this write port.

**ABITS**

The number of address bits (width of the **ADDR** input port).

**WIDTH**

The number of data bits (width of the **DATA** output port). Like with *\$memrd\_v2* cells, the width is allowed to be any power-of-two multiple of memory width, with the corresponding restriction on address.

**CLK\_ENABLE**

When this parameter is non-zero, the clock is used. Otherwise this write port is asynchronous and the **CLK** input is not used.

**CLK\_POLARITY**

Clock is active on positive edge if this parameter has the value `1'b1` and on the negative edge if this parameter is `1'b0`.

**PORTID**

An identifier for this write port, used to index write port bit mask parameters.

**PRIORITY\_MASK**

This parameter is a bitmask of write ports that this write port has priority over in case of writing to the same address. The bits of this parameter are indexed by the other write port's **PORTID** parameter. Write ports can only have priority over write ports with lower port ID. When two ports write to the same address and neither has priority over the other, the result is undefined. Priority can only be set between two synchronous ports sharing the same clock domain.

The *\$meminit\_v2* cells have an address input **ADDR**, a data input **DATA**, with the width of the **DATA** port equal to **WIDTH** parameter times **WORDS** parameter, and a bit enable mask input **EN** with width equal to **WIDTH** parameter. All three of the inputs must resolve to a constant for synthesis to succeed.

**MEMID**

The name of the `RTLIL::Memory` object that is associated with this initialization cell.

**ABITS**

The number of address bits (width of the **ADDR** input port).

**WIDTH**

The number of data bits per memory location.

**WORDS**

The number of consecutive memory locations initialized by this cell.

**PRIORITY**

The cell with the higher integer value in this parameter wins an initialization conflict.

The HDL frontend models a memory using `RTLIL::Memory` objects and asynchronous *\$memrd\_v2* and *\$memwr\_v2* cells. The *memory* pass (i.e. its various sub-passes) migrates *\$dff* cells into the *\$memrd\_v2*

and `$memwr_v2` cells making them synchronous, then converts them to a single `$mem_v2` cell and (optionally) maps this cell type to `$dff` cells for the individual words and multiplexer-based address decoders for the read and write interfaces. When the last step is disabled or not possible, a `$mem_v2` cell is left in the design.

The `$mem_v2` cell provides the following parameters:

**MEMID**

The name of the original RTLIL::Memory object that became this `$mem_v2` cell.

**SIZE**

The number of words in the memory.

**ABITS**

The number of address bits.

**WIDTH**

The number of data bits per word.

**INIT**

The initial memory contents.

**RD\_PORTS**

The number of read ports on this memory cell.

**RD\_WIDE\_CONTINUATION**

This parameter is `RD_PORTS` bits wide, containing a bitmask of “wide continuation” read ports. Such ports are used to represent the extra data bits of wide ports in the combined cell, and must have all control signals identical with the preceding port, except for address, which must have the proper sub-cell address encoded in the low bits.

**RD\_CLK\_ENABLE**

This parameter is `RD_PORTS` bits wide, containing a clock enable bit for each read port.

**RD\_CLK\_POLARITY**

This parameter is `RD_PORTS` bits wide, containing a clock polarity bit for each read port.

**RD\_TRANSPARENCY\_MASK**

This parameter is `RD_PORTS*WR_PORTS` bits wide, containing a concatenation of all `TRANSPARENCY_MASK` values of the original `$memrd_v2` cells.

**RD\_COLLISION\_X\_MASK**

This parameter is `RD_PORTS*WR_PORTS` bits wide, containing a concatenation of all `COLLISION_X_MASK` values of the original `$memrd_v2` cells.

**RD\_CE\_OVER\_SRST**

This parameter is `RD_PORTS` bits wide, determining relative synchronous reset and enable priority for each read port.

**RD\_INIT\_VALUE**

This parameter is `RD_PORTS*WIDTH` bits wide, containing the initial value for each synchronous read port.

**RD\_ARST\_VALUE**

This parameter is `RD_PORTS*WIDTH` bits wide, containing the asynchronous reset value for each synchronous read port.

**RD\_SRST\_VALUE**

This parameter is `RD_PORTS*WIDTH` bits wide, containing the synchronous reset value for each synchronous read port.

**WR\_PORTS**

The number of write ports on this memory cell.

**WR\_WIDE\_CONTINUATION**

This parameter is WR\_PORTS bits wide, containing a bitmask of “wide continuation” write ports.

**WR\_CLK\_ENABLE**

This parameter is WR\_PORTS bits wide, containing a clock enable bit for each write port.

**WR\_CLK\_POLARITY**

This parameter is WR\_PORTS bits wide, containing a clock polarity bit for each write port.

**WR\_PRIORITY\_MASK**

This parameter is WR\_PORTS\*WR\_PORTS bits wide, containing a concatenation of all PRIORITY\_MASK values of the original *\$memwr\_v2* cells.

The *\$mem\_v2* cell has the following ports:

**RD\_CLK**

This input is RD\_PORTS bits wide, containing all clock signals for the read ports.

**RD\_EN**

This input is RD\_PORTS bits wide, containing all enable signals for the read ports.

**RD\_ADDR**

This input is RD\_PORTS\*ABITS bits wide, containing all address signals for the read ports.

**RD\_DATA**

This output is RD\_PORTS\*WIDTH bits wide, containing all data signals for the read ports.

**RD\_ARST**

This input is RD\_PORTS bits wide, containing all asynchronous reset signals for the read ports.

**RD\_SRST**

This input is RD\_PORTS bits wide, containing all synchronous reset signals for the read ports.

**WR\_CLK**

This input is WR\_PORTS bits wide, containing all clock signals for the write ports.

**WR\_EN**

This input is WR\_PORTS\*WIDTH bits wide, containing all enable signals for the write ports.

**WR\_ADDR**

This input is WR\_PORTS\*ABITS bits wide, containing all address signals for the write ports.

**WR\_DATA**

This input is WR\_PORTS\*WIDTH bits wide, containing all data signals for the write ports.

The *memory\_collect* pass can be used to convert discrete *\$memrd\_v2*, *\$memwr\_v2*, and *\$meminit\_v2* cells belonging to the same memory to a single *\$mem\_v2* cell, whereas the *memory\_unpack* pass performs the inverse operation. The *memory\_dff* pass can combine asynchronous memory ports that are fed by or feeding registers into synchronous memory ports. The *memory\_bram* pass can be used to recognize *\$mem\_v2* cells that can be implemented with a block RAM resource on an FPGA. The *memory\_map* pass can be used to implement *\$mem\_v2* cells as basic logic: word-wide DFFs and address decoders.

```
yosys> help $mem
```

```
Simulation model (verilog)
```

Listing 9.61: simlib.v

```

2942 module \ $mem (RD_CLK, RD_EN, RD_ADDR, RD_DATA, WR_CLK, WR_EN, WR_ADDR, WR_DATA);
2943
2944     parameter MEMID = "";
2945     parameter signed SIZE = 4;
2946     parameter signed OFFSET = 0;
2947     parameter signed ABITS = 2;
2948     parameter signed WIDTH = 8;
2949     parameter signed INIT = 1'bx;
2950
2951     parameter signed RD_PORTS = 1;
2952     parameter RD_CLK_ENABLE = 1'b1;
2953     parameter RD_CLK_POLARITY = 1'b1;
2954     parameter RD_TRANSPARENT = 1'b1;
2955
2956     parameter signed WR_PORTS = 1;
2957     parameter WR_CLK_ENABLE = 1'b1;
2958     parameter WR_CLK_POLARITY = 1'b1;
2959
2960     input [RD_PORTS-1:0] RD_CLK;
2961     input [RD_PORTS-1:0] RD_EN;
2962     input [RD_PORTS*ABITS-1:0] RD_ADDR;
2963     output reg [RD_PORTS*WIDTH-1:0] RD_DATA;
2964
2965     input [WR_PORTS-1:0] WR_CLK;
2966     input [WR_PORTS*WIDTH-1:0] WR_EN;
2967     input [WR_PORTS*ABITS-1:0] WR_ADDR;
2968     input [WR_PORTS*WIDTH-1:0] WR_DATA;
2969
2970     reg [WIDTH-1:0] memory [SIZE-1:0];
2971
2972     integer i, j;
2973     reg [WR_PORTS-1:0] LAST_WR_CLK;
2974     reg [RD_PORTS-1:0] LAST_RD_CLK;
2975
2976     function port_active;
2977         input clk_enable;
2978         input clk_polarity;
2979         input last_clk;
2980         input this_clk;
2981         begin
2982             casez ({clk_enable, clk_polarity, last_clk, this_clk})
2983                 4'b0???: port_active = 1;
2984                 4'b1101: port_active = 1;
2985                 4'b1010: port_active = 1;
2986                 default: port_active = 0;
2987             endcase
2988         end
2989     endfunction
2990
2991     initial begin
2992         for (i = 0; i < SIZE; i = i+1)

```

(continues on next page)

(continued from previous page)

```

2993     memory[i] = INIT >>> (i*WIDTH);
2994 end
2995
2996 always @(RD_CLK, RD_ADDR, RD_DATA, WR_CLK, WR_EN, WR_ADDR, WR_DATA) begin
2997     `ifdef SIMLIB_MEMDELAY
2998         #`SIMLIB_MEMDELAY;
2999     `endif
3000     for (i = 0; i < RD_PORTS; i = i+1) begin
3001         if (!RD_TRANSPARENT[i] && RD_CLK_ENABLE[i] && RD_EN[i] && port_
↪active(RD_CLK_ENABLE[i], RD_CLK_POLARITY[i], LAST_RD_CLK[i], RD_CLK[i])) begin
3002             // $display("Read from %s: addr=%b data=%b", MEMID, RD_ADDR[i*ABITS_
↪+: ABITS], memory[RD_ADDR[i*ABITS +: ABITS] - OFFSET]);
3003             RD_DATA[i*WIDTH +: WIDTH] <= memory[RD_ADDR[i*ABITS +: ABITS] -
↪OFFSET];
3004         end
3005     end
3006
3007     for (i = 0; i < WR_PORTS; i = i+1) begin
3008         if (port_active(WR_CLK_ENABLE[i], WR_CLK_POLARITY[i], LAST_WR_CLK[i],
↪WR_CLK[i]))
3009             for (j = 0; j < WIDTH; j = j+1)
3010                 if (WR_EN[i*WIDTH+j]) begin
3011                     // $display("Write to %s: addr=%b data=%b", MEMID, WR_
↪ADDR[i*ABITS +: ABITS], WR_DATA[i*WIDTH+j]);
3012                     memory[WR_ADDR[i*ABITS +: ABITS] - OFFSET][j] = WR_
↪DATA[i*WIDTH+j];
3013                 end
3014         end
3015
3016     for (i = 0; i < RD_PORTS; i = i+1) begin
3017         if ((RD_TRANSPARENT[i] || !RD_CLK_ENABLE[i]) && port_active(RD_CLK_
↪ENABLE[i], RD_CLK_POLARITY[i], LAST_RD_CLK[i], RD_CLK[i])) begin
3018             // $display("Transparent read from %s: addr=%b data=%b", MEMID, RD_
↪ADDR[i*ABITS +: ABITS], memory[RD_ADDR[i*ABITS +: ABITS] - OFFSET]);
3019             RD_DATA[i*WIDTH +: WIDTH] <= memory[RD_ADDR[i*ABITS +: ABITS] -
↪OFFSET];
3020         end
3021     end
3022
3023     LAST_RD_CLK <= RD_CLK;
3024     LAST_WR_CLK <= WR_CLK;
3025 end
3026
3027 endmodule

```

```
yosys> help $mem_v2
```

```
Simulation model (verilog)
```

Listing 9.62: simlib.v

```

3031 module \$mem_v2 (RD_CLK, RD_EN, RD_ARST, RD_SRST, RD_ADDR, RD_DATA, WR_CLK, WR_EN,
↳WR_ADDR, WR_DATA);
3032
3033     parameter MEMID = "";
3034     parameter signed SIZE = 4;
3035     parameter signed OFFSET = 0;
3036     parameter signed ABITS = 2;
3037     parameter signed WIDTH = 8;
3038     parameter signed INIT = 1'bx;
3039
3040     parameter signed RD_PORTS = 1;
3041     parameter RD_CLK_ENABLE = 1'b1;
3042     parameter RD_CLK_POLARITY = 1'b1;
3043     parameter RD_TRANSPARENCY_MASK = 1'b0;
3044     parameter RD_COLLISION_X_MASK = 1'b0;
3045     parameter RD_WIDE_CONTINUATION = 1'b0;
3046     parameter RD_CE_OVER_SRST = 1'b0;
3047     parameter RD_ARST_VALUE = 1'b0;
3048     parameter RD_SRST_VALUE = 1'b0;
3049     parameter RD_INIT_VALUE = 1'b0;
3050
3051     parameter signed WR_PORTS = 1;
3052     parameter WR_CLK_ENABLE = 1'b1;
3053     parameter WR_CLK_POLARITY = 1'b1;
3054     parameter WR_PRIORITY_MASK = 1'b0;
3055     parameter WR_WIDE_CONTINUATION = 1'b0;
3056
3057     input [RD_PORTS-1:0] RD_CLK;
3058     input [RD_PORTS-1:0] RD_EN;
3059     input [RD_PORTS-1:0] RD_ARST;
3060     input [RD_PORTS-1:0] RD_SRST;
3061     input [RD_PORTS*ABITS-1:0] RD_ADDR;
3062     output reg [RD_PORTS*WIDTH-1:0] RD_DATA;
3063
3064     input [WR_PORTS-1:0] WR_CLK;
3065     input [WR_PORTS*WIDTH-1:0] WR_EN;
3066     input [WR_PORTS*ABITS-1:0] WR_ADDR;
3067     input [WR_PORTS*WIDTH-1:0] WR_DATA;
3068
3069     reg [WIDTH-1:0] memory [SIZE-1:0];
3070
3071     integer i, j, k;
3072     reg [WR_PORTS-1:0] LAST_WR_CLK;
3073     reg [RD_PORTS-1:0] LAST_RD_CLK;
3074
3075     function port_active;
3076         input clk_enable;
3077         input clk_polarity;
3078         input last_clk;
3079         input this_clk;
3080     begin

```

(continues on next page)

(continued from previous page)

```

3081         casez ({clk_enable, clk_polarity, last_clk, this_clk})
3082             4'b0???: port_active = 1;
3083             4'b1101: port_active = 1;
3084             4'b1010: port_active = 1;
3085             default: port_active = 0;
3086         endcase
3087     end
3088 endfunction
3089
3090 initial begin
3091     for (i = 0; i < SIZE; i = i+1)
3092         memory[i] = INIT >>> (i*WIDTH);
3093     RD_DATA = RD_INIT_VALUE;
3094 end
3095
3096 always @(RD_CLK, RD_ARST, RD_ADDR, RD_DATA, WR_CLK, WR_EN, WR_ADDR, WR_DATA)
↳begin
3097     `ifdef SIMLIB_MEMDELAY
3098         #`SIMLIB_MEMDELAY;
3099     `endif
3100     for (i = 0; i < RD_PORTS; i = i+1) begin
3101         if (RD_CLK_ENABLE[i] && RD_EN[i] && port_active(RD_CLK_ENABLE[i], RD_
↳CLK_POLARITY[i], LAST_RD_CLK[i], RD_CLK[i])) begin
3102             // $display("Read from %s: addr=%b data=%b", MEMID, RD_ADDR[i*ABITS
↳
↳+: ABITS], memory[RD_ADDR[i*ABITS +: ABITS] - OFFSET]);
3103             RD_DATA[i*WIDTH +: WIDTH] <= memory[RD_ADDR[i*ABITS +: ABITS] -
↳
↳OFFSET];
3104
3105             for (j = 0; j < WR_PORTS; j = j+1) begin
3106                 if (RD_TRANSPARENCY_MASK[i*WR_PORTS + j] && port_active(WR_CLK_
↳ENABLE[j], WR_CLK_POLARITY[j], LAST_WR_CLK[j], WR_CLK[j]) && RD_ADDR[i*ABITS +:
↳
↳ABITS] == WR_ADDR[j*ABITS +: ABITS])
3107                     for (k = 0; k < WIDTH; k = k+1)
3108                         if (WR_EN[j*WIDTH+k])
3109                             RD_DATA[i*WIDTH+k] <= WR_DATA[j*WIDTH+k];
3110                 if (RD_COLLISION_X_MASK[i*WR_PORTS + j] && port_active(WR_CLK_
↳ENABLE[j], WR_CLK_POLARITY[j], LAST_WR_CLK[j], WR_CLK[j]) && RD_ADDR[i*ABITS +:
↳
↳ABITS] == WR_ADDR[j*ABITS +: ABITS])
3111                     for (k = 0; k < WIDTH; k = k+1)
3112                         if (WR_EN[j*WIDTH+k])
3113                             RD_DATA[i*WIDTH+k] <= 1'bx;
3114             end
3115         end
3116     end
3117
3118     for (i = 0; i < WR_PORTS; i = i+1) begin
3119         if (port_active(WR_CLK_ENABLE[i], WR_CLK_POLARITY[i], LAST_WR_CLK[i],
↳
↳WR_CLK[i]))
3120             for (j = 0; j < WIDTH; j = j+1)
3121                 if (WR_EN[i*WIDTH+j]) begin
3122                     // $display("Write to %s: addr=%b data=%b", MEMID, WR_
↳
↳ADDR[i*ABITS +: ABITS], WR_DATA[i*WIDTH+j]);

```

(continues on next page)

(continued from previous page)

```

3123         memory[WR_ADDR[i*ABITS +: ABITS] - OFFSET][j] = WR_
↪DATA[i*WIDTH+j];
3124     end
3125 end
3126
3127     for (i = 0; i < RD_PORTS; i = i+1) begin
3128         if (!RD_CLK_ENABLE[i]) begin
3129             // $display("Combinatorial read from %s: addr=%b data=%b", MEMID,
↪RD_ADDR[i*ABITS +: ABITS], memory[RD_ADDR[i*ABITS +: ABITS] - OFFSET]);
3130             RD_DATA[i*WIDTH +: WIDTH] <= memory[RD_ADDR[i*ABITS +: ABITS] -
↪OFFSET];
3131         end
3132     end
3133
3134     for (i = 0; i < RD_PORTS; i = i+1) begin
3135         if (RD_SRST[i] && port_active(RD_CLK_ENABLE[i], RD_CLK_POLARITY[i],
↪LAST_RD_CLK[i], RD_CLK[i]) && (RD_EN[i] || !RD_CE_OVER_SRST[i]))
3136             RD_DATA[i*WIDTH +: WIDTH] <= RD_SRST_VALUE[i*WIDTH +: WIDTH];
3137         if (RD_ARST[i])
3138             RD_DATA[i*WIDTH +: WIDTH] <= RD_ARST_VALUE[i*WIDTH +: WIDTH];
3139     end
3140
3141     LAST_RD_CLK <= RD_CLK;
3142     LAST_WR_CLK <= WR_CLK;
3143 end
3144
3145 endmodule

```

```
yosys> help $meminit
```

```
Simulation model (verilog)
```

Listing 9.63: simlib.v

```

2893 module \ $meminit (ADDR, DATA);
2894
2895     parameter MEMID = "";
2896     parameter ABITS = 8;
2897     parameter WIDTH = 8;
2898     parameter WORDS = 1;
2899
2900     parameter PRIORITY = 0;
2901
2902     input [ABITS-1:0] ADDR;
2903     input [WORDS*WIDTH-1:0] DATA;
2904
2905     initial begin
2906         if (MEMID != "") begin
2907             $display("ERROR: Found non-simulatable instance of $meminit!");
2908             $finish;
2909         end
2910     end

```

(continues on next page)

(continued from previous page)

```
2911
2912 endmodule
```

```
yosys> help $meminit_v2
```

```
Simulation model (verilog)
```

Listing 9.64: simlib.v

```
2917 module \ $meminit_v2 (ADDR, DATA, EN);
2918
2919     parameter MEMID = "";
2920     parameter ABITS = 8;
2921     parameter WIDTH = 8;
2922     parameter WORDS = 1;
2923
2924     parameter PRIORITY = 0;
2925
2926     input [ABITS-1:0] ADDR;
2927     input [WORDS*WIDTH-1:0] DATA;
2928     input [WIDTH-1:0] EN;
2929
2930     initial begin
2931         if (MEMID != "") begin
2932             $display("ERROR: Found non-simulatable instance of $meminit_v2!");
2933             $finish;
2934         end
2935     end
2936
2937 endmodule
```

```
yosys> help $memrd
```

```
Simulation model (verilog)
```

Listing 9.65: simlib.v

```
2784 module \ $memrd (CLK, EN, ADDR, DATA);
2785
2786     parameter MEMID = "";
2787     parameter ABITS = 8;
2788     parameter WIDTH = 8;
2789
2790     parameter CLK_ENABLE = 0;
2791     parameter CLK_POLARITY = 0;
2792     parameter TRANSPARENT = 0;
2793
2794     input CLK, EN;
2795     input [ABITS-1:0] ADDR;
2796     output [WIDTH-1:0] DATA;
2797
2798     initial begin
2799         if (MEMID != "") begin
```

(continues on next page)

(continued from previous page)

```

2800         $display("ERROR: Found non-simulatable instance of $memrd!");
2801         $finish;
2802     end
2803 end
2804
2805 endmodule

```

yosys> help \$memrd\_v2

Simulation model (verilog)

Listing 9.66: simlib.v

```

2809 module \ $memrd_v2 (CLK, EN, ARST, SRST, ADDR, DATA);
2810
2811     parameter MEMID = "";
2812     parameter ABITS = 8;
2813     parameter WIDTH = 8;
2814
2815     parameter CLK_ENABLE = 0;
2816     parameter CLK_POLARITY = 0;
2817     parameter TRANSPARENCY_MASK = 0;
2818     parameter COLLISION_X_MASK = 0;
2819     parameter ARST_VALUE = 0;
2820     parameter SRST_VALUE = 0;
2821     parameter INIT_VALUE = 0;
2822     parameter CE_OVER_SRST = 0;
2823
2824     input CLK, EN, ARST, SRST;
2825     input [ABITS-1:0] ADDR;
2826     output [WIDTH-1:0] DATA;
2827
2828     initial begin
2829         if (MEMID != "") begin
2830             $display("ERROR: Found non-simulatable instance of $memrd_v2!");
2831             $finish;
2832         end
2833     end
2834
2835 endmodule

```

yosys> help \$memwr

Simulation model (verilog)

Listing 9.67: simlib.v

```

2840 module \ $memwr (CLK, EN, ADDR, DATA);
2841
2842     parameter MEMID = "";
2843     parameter ABITS = 8;
2844     parameter WIDTH = 8;
2845

```

(continues on next page)

(continued from previous page)

```

2846 parameter CLK_ENABLE = 0;
2847 parameter CLK_POLARITY = 0;
2848 parameter PRIORITY = 0;
2849
2850 input CLK;
2851 input [WIDTH-1:0] EN;
2852 input [ABITS-1:0] ADDR;
2853 input [WIDTH-1:0] DATA;
2854
2855 initial begin
2856     if (MEMID != "") begin
2857         $display("ERROR: Found non-simulatable instance of $memwr!");
2858         $finish;
2859     end
2860 end
2861
2862 endmodule

```

```
yosys> help $memwr_v2
```

```
Simulation model (verilog)
```

Listing 9.68: simlib.v

```

2865 module \ $memwr_v2 (CLK, EN, ADDR, DATA);
2866
2867     parameter MEMID = "";
2868     parameter ABITS = 8;
2869     parameter WIDTH = 8;
2870
2871     parameter CLK_ENABLE = 0;
2872     parameter CLK_POLARITY = 0;
2873     parameter PORTID = 0;
2874     parameter PRIORITY_MASK = 0;
2875
2876     input CLK;
2877     input [WIDTH-1:0] EN;
2878     input [ABITS-1:0] ADDR;
2879     input [WIDTH-1:0] DATA;
2880
2881     initial begin
2882         if (MEMID != "") begin
2883             $display("ERROR: Found non-simulatable instance of $memwr_v2!");
2884             $finish;
2885         end
2886     end
2887
2888 endmodule

```

## 9.1.6 Finite state machines

### Todo

Describe `$fsm` cell

yosys> help \$fsm

Simulation model (verilog)

Listing 9.69: simlib.v

```

2689 module \fsm (CLK, ARST, CTRL_IN, CTRL_OUT);
2690
2691     parameter NAME = "";
2692
2693     parameter CLK_POLARITY = 1'b1;
2694     parameter ARST_POLARITY = 1'b1;
2695
2696     parameter CTRL_IN_WIDTH = 1;
2697     parameter CTRL_OUT_WIDTH = 1;
2698
2699     parameter STATE_BITS = 1;
2700     parameter STATE_NUM = 1;
2701     parameter STATE_NUM_LOG2 = 1;
2702     parameter STATE_RST = 0;
2703     parameter STATE_TABLE = 1'b0;
2704
2705     parameter TRANS_NUM = 1;
2706     parameter TRANS_TABLE = 4'b0x0x;
2707
2708     input CLK, ARST;
2709     input [CTRL_IN_WIDTH-1:0] CTRL_IN;
2710     output reg [CTRL_OUT_WIDTH-1:0] CTRL_OUT;
2711
2712     wire pos_clk = CLK == CLK_POLARITY;
2713     wire pos_arst = ARST == ARST_POLARITY;
2714
2715     reg [STATE_BITS-1:0] state;
2716     reg [STATE_BITS-1:0] state_tmp;
2717     reg [STATE_BITS-1:0] next_state;
2718
2719     reg [STATE_BITS-1:0] tr_state_in;
2720     reg [STATE_BITS-1:0] tr_state_out;
2721     reg [CTRL_IN_WIDTH-1:0] tr_ctrl_in;
2722     reg [CTRL_OUT_WIDTH-1:0] tr_ctrl_out;
2723
2724     integer i;
2725
2726     task tr_fetch;
2727         input [31:0] tr_num;

```

(continues on next page)

(continued from previous page)

```

2728     reg [31:0] tr_pos;
2729     reg [STATE_NUM_LOG2-1:0] state_num;
2730     begin
2731         tr_pos = (2*STATE_NUM_LOG2+CTRL_IN_WIDTH+CTRL_OUT_WIDTH)*tr_num;
2732         tr_ctrl_out = TRANS_TABLE >> tr_pos;
2733         tr_pos = tr_pos + CTRL_OUT_WIDTH;
2734         state_num = TRANS_TABLE >> tr_pos;
2735         tr_state_out = STATE_TABLE >> (STATE_BITS*state_num);
2736         tr_pos = tr_pos + STATE_NUM_LOG2;
2737         tr_ctrl_in = TRANS_TABLE >> tr_pos;
2738         tr_pos = tr_pos + CTRL_IN_WIDTH;
2739         state_num = TRANS_TABLE >> tr_pos;
2740         tr_state_in = STATE_TABLE >> (STATE_BITS*state_num);
2741         tr_pos = tr_pos + STATE_NUM_LOG2;
2742     end
2743 endtask
2744
2745 always @(posedge pos_clk, posedge pos_arst) begin
2746     if (pos_arst) begin
2747         state_tmp = STATE_TABLE[STATE_BITS*(STATE_RST+1)-1:STATE_BITS*STATE_
↳RST];
2748         for (i = 0; i < STATE_BITS; i = i+1)
2749             if (state_tmp[i] === 1'bz)
2750                 state_tmp[i] = 0;
2751         state <= state_tmp;
2752     end else begin
2753         state_tmp = next_state;
2754         for (i = 0; i < STATE_BITS; i = i+1)
2755             if (state_tmp[i] === 1'bz)
2756                 state_tmp[i] = 0;
2757         state <= state_tmp;
2758     end
2759 end
2760
2761 always @(state, CTRL_IN) begin
2762     next_state <= STATE_TABLE[STATE_BITS*(STATE_RST+1)-1:STATE_BITS*STATE_RST];
2763     CTRL_OUT <= 'bx;
2764     // $display("---");
2765     // $display("Q: %b %b", state, CTRL_IN);
2766     for (i = 0; i < TRANS_NUM; i = i+1) begin
2767         tr_fetch(i);
2768         // $display("T: %b %b -> %b %b [%d]", tr_state_in, tr_ctrl_in, tr_state_
↳out, tr_ctrl_out, i);
2769         casez ({state, CTRL_IN})
2770             {tr_state_in, tr_ctrl_in}: begin
2771                 // $display("-> %b %b <- MATCH", state, CTRL_IN);
2772                 {next_state, CTRL_OUT} <= {tr_state_out, tr_ctrl_out};
2773             end
2774         endcase
2775     end
2776 end
2777

```

(continues on next page)

(continued from previous page)

2778 `endmodule`

### 9.1.7 Coarse arithmetics

#### Todo

Add information about *\$alu*, *\$fa*, *\$macc\_v2*, and *\$lcu* cells.

The *\$macc* cell type represents a generalized multiply and accumulate operation. The cell is purely combinational. It outputs the result of summing up a sequence of products and other injected summands.

```
Y = 0 +- a0factor1 * a0factor2 +- a1factor1 * a1factor2 +- ...
    + B[0] + B[1] + ...
```

The A port consists of concatenated pairs of multiplier inputs (“factors”). A zero length factor2 acts as a constant 1, turning factor1 into a simple summand.

In this pseudocode, *u(foo)* means an unsigned int that’s *foo* bits long.

```
struct A {
    u(CONFIG.mul_info[0].factor1_len) a0factor1;
    u(CONFIG.mul_info[0].factor2_len) a0factor2;
    u(CONFIG.mul_info[1].factor1_len) a1factor1;
    u(CONFIG.mul_info[1].factor2_len) a1factor2;
    ...
};
```

The cell’s *CONFIG* parameter determines the layout of cell port A. The *CONFIG* parameter carries the following information:

```
struct CONFIG {
    u4 num_bits;
    struct mul_info {
        bool is_signed;
        bool is_subtract;
        u(num_bits) factor1_len;
        u(num_bits) factor2_len;
    }[num_ports];
};
```

B is an array of concatenated 1-bit-wide unsigned integers to also be summed up.

```
yosys> help $alu
```

#### Arithmetic logic unit

A building block supporting both binary addition/subtraction operations, and indirectly, comparison operations. Typically created by the *alumacc* pass, which transforms: *\$add*, *\$sub*, *\$lt*, *\$le*, *\$ge*, *\$gt*, *\$eq*, *\$eqx*, *\$ne*, *\$nex* cells into this *\$alu* cell.

#### Properties

*is\_evaluable*

Simulation model (verilog)

Listing 9.70: simlib.v

```

665 module \${alu} (A, B, CI, BI, X, Y, CO);
666
667     parameter A_SIGNED = 0;
668     parameter B_SIGNED = 0;
669     parameter A_WIDTH = 1;
670     parameter B_WIDTH = 1;
671     parameter Y_WIDTH = 1;
672
673     input [A_WIDTH-1:0] A;           // Input operand
674     input [B_WIDTH-1:0] B;           // Input operand
675     output [Y_WIDTH-1:0] X;          // A xor B (sign-extended, optional B inversion,
676                                     // used in combination with
677                                     // reduction-AND for $eq/$ne ops)
678     output [Y_WIDTH-1:0] Y;          // Sum
679
680     input CI;                        // Carry-in (set for $sub)
681     input BI;                        // Invert-B (set for $sub)
682     output [Y_WIDTH-1:0] CO;         // Carry-out
683
684     wire [Y_WIDTH-1:0] AA, BB;
685
686     generate
687         if (A_SIGNED && B_SIGNED) begin:BLOCK1
688             assign AA = $signed(A), BB = BI ? ~$signed(B) : $signed(B);
689         end else begin:BLOCK2
690             assign AA = $unsigned(A), BB = BI ? ~$unsigned(B) : $unsigned(B);
691         end
692     endgenerate
693
694     // this is 'x' if Y and CO should be all 'x', and '0' otherwise
695     wire y_co_undef = ^{A, A, B, B, CI, CI, BI, BI};
696
697     assign X = AA ^ BB;
698     // Full adder
699     assign Y = (AA + BB + CI) ^ {Y_WIDTH{y_co_undef}};
700
701     function get_carry;
702         input a, b, c;
703         get_carry = (a&b) | (a&c) | (b&c);
704     endfunction
705
706     genvar i;
707     generate
708         assign CO[0] = get_carry(AA[0], BB[0], CI) ^ y_co_undef;
709         for (i = 1; i < Y_WIDTH; i = i+1) begin:BLOCK3
710             assign CO[i] = get_carry(AA[i], BB[i], CO[i-1]) ^ y_co_undef;
711         end
712     endgenerate
713
714 endmodule

```

yosys> help \$fa

**Properties**

*is\_evaluable*

Simulation model (verilog)

Listing 9.71: simlib.v

```

605 module \fa (A, B, C, X, Y);
606
607     parameter WIDTH = 1;
608
609     input [WIDTH-1:0] A, B, C;
610     output [WIDTH-1:0] X, Y;
611
612     wire [WIDTH-1:0] t1, t2, t3;
613
614     assign t1 = A ^ B, t2 = A & B, t3 = C & t1;
615     assign Y = t1 ^ C, X = (t2 | t3) ^ (Y ^ Y);
616
617 endmodule

```

yosys> help \$lcu

Lookahead carry unit A building block dedicated to fast computation of carry-bits used in binary arithmetic operations. By replacing the ripple carry structure used in full-adder blocks, the more significant bits of the sum can be expected to be computed more quickly. Typically created during *techmap* of \$alu cells (see the “\_90\_alu” rule in +/techmap.v).

**Properties**

*is\_evaluable*

Simulation model (verilog)

Listing 9.72: simlib.v

```

633 module $lcu (P, G, CI, CO);
634
635     parameter WIDTH = 1;
636
637     input [WIDTH-1:0] P;    // Propagate
638     input [WIDTH-1:0] G;    // Generate
639     input CI;              // Carry-in
640
641     output reg [WIDTH-1:0] CO; // Carry-out
642
643     integer i;
644     always @* begin
645         CO = 'bx;
646         if (~{P, G, CI} != 1'bx) begin
647             CO[0] = G[0] || (P[0] && CI);
648             for (i = 1; i < WIDTH; i = i+1)
649                 CO[i] = G[i] || (P[i] && CO[i-1]);
650         end
651     end

```

(continues on next page)

(continued from previous page)

```
652
653 endmodule
```

```
yosys> help $macc
```

Multiply and accumulate. A building block for summing any number of negated and unnegated signals and arithmetic products of pairs of signals. Cell port A concatenates pairs of signals to be multiplied together. When the second signal in a pair is zero length, a constant 1 is used instead as the second factor. Cell port B concatenates 1-bit-wide signals to also be summed, such as “carry in” in adders. Typically created by the *alumacc* pass, which transforms \$add and \$mul into \$macc cells.

#### Properties

*is\_evaluable*

Simulation model (verilog)

Listing 9.73: simlib.v

```
1081 module \macc (A, B, Y);
1082
1083     parameter A_WIDTH = 0;
1084     parameter B_WIDTH = 0;
1085     parameter Y_WIDTH = 0;
1086     // CONFIG determines the layout of A, as explained below
1087     parameter CONFIG = 4'b0000;
1088     parameter CONFIG_WIDTH = 4;
1089
1090     // In the terms used for this cell, there's mixed meanings for the term "port".
1091     ↪To disambiguate:
1092     // A cell port is for example the A input (it is constructed in C++ as cell->
1093     ↪setPort(ID::A, ...))
1094     // Multiplier ports are pairs of multiplier inputs ("factors").
1095     // If the second signal in such a pair is zero length, no multiplication is
1096     ↪necessary, and the first signal is just added to the sum.
1097     input [A_WIDTH-1:0] A; // Cell port A is the concatenation of all arithmetic
1098     ↪ports
1099     input [B_WIDTH-1:0] B; // Cell port B is the concatenation of single-bit
1100     ↪unsigned signals to be also added to the sum
1101     output reg [Y_WIDTH-1:0] Y; // Output sum
1102
1103     // Xilinx XSIM does not like $clog2() below..
1104     function integer my_clog2;
1105         input integer v;
1106         begin
1107             if (v > 0)
1108                 v = v - 1;
1109             my_clog2 = 0;
1110             while (v) begin
1111                 v = v >> 1;
1112                 my_clog2 = my_clog2 + 1;
1113             end
1114         end
1115     endfunction
1116
```

(continues on next page)

(continued from previous page)

```

1112 // Bits that a factor's length field in CONFIG per factor in cell port A
1113 localparam integer num_bits = CONFIG[3:0] > 0 ? CONFIG[3:0] : 1;
1114 // Number of multiplier ports
1115 localparam integer num_ports = (CONFIG_WIDTH-4) / (2 + 2*num_bits);
1116 // Minium bit width of an induction variable to iterate over all bits of cell
↳port A
1117 localparam integer num_abits = my_clog2(A_WIDTH) > 0 ? my_clog2(A_WIDTH) : 1;
1118
1119 // In this pseudocode, u(foo) means an unsigned int that's foo bits long.
1120 // The CONFIG parameter carries the following information:
1121 // struct CONFIG {
1122 //     u4 num_bits;
1123 //     struct port_field {
1124 //         bool is_signed;
1125 //         bool is_subtract;
1126 //         u(num_bits) factor1_len;
1127 //         u(num_bits) factor2_len;
1128 //     }[num_ports];
1129 // };
1130
1131 // The A cell port carries the following information:
1132 // struct A {
1133 //     u(CONFIG.port_field[0].factor1_len) port0factor1;
1134 //     u(CONFIG.port_field[0].factor2_len) port0factor2;
1135 //     u(CONFIG.port_field[1].factor1_len) port1factor1;
1136 //     u(CONFIG.port_field[1].factor2_len) port1factor2;
1137 //     ...
1138 // };
1139 // and log(sizeof(A)) is num_abits.
1140 // No factor1 may have a zero length.
1141 // A factor2 having a zero length implies factor2 is replaced with a constant 1.
1142
1143 // Additionally, B is an array of 1-bit-wide unsigned integers to also be
↳summed up.
1144 // Finally, we have:
1145 // Y = port0factor1 * port0factor2 + port1factor1 * port1factor2 + ...
1146 //     * B[0] + B[1] + ...
1147
1148 function [2*num_ports*num_abits-1:0] get_port_offsets;
1149     input [CONFIG_WIDTH-1:0] cfg;
1150     integer i, cursor;
1151     begin
1152         cursor = 0;
1153         get_port_offsets = 0;
1154         for (i = 0; i < num_ports; i = i+1) begin
1155             get_port_offsets[(2*i + 0)*num_abits +: num_abits] = cursor;
1156             cursor = cursor + cfg[4 + i*(2 + 2*num_bits) + 2 +: num_bits];
1157             get_port_offsets[(2*i + 1)*num_abits +: num_abits] = cursor;
1158             cursor = cursor + cfg[4 + i*(2 + 2*num_bits) + 2 + num_bits +: num_
↳bits];
1159         end
1160     end

```

(continues on next page)

(continued from previous page)

```

1161     endfunction
1162
1163     localparam [2*num_ports*num_abits-1:0] port_offsets = get_port_offsets(CONFIG);
1164
1165     `define PORT_IS_SIGNED    (0 + CONFIG[4 + i*(2 + 2*num_bits)])
1166     `define PORT_DO_SUBTRACT (0 + CONFIG[4 + i*(2 + 2*num_bits) + 1])
1167     `define PORT_SIZE_A      (0 + CONFIG[4 + i*(2 + 2*num_bits) + 2 +: num_bits])
1168     `define PORT_SIZE_B      (0 + CONFIG[4 + i*(2 + 2*num_bits) + 2 + num_bits +:
↪num_bits])
1169     `define PORT_OFFSET_A    (0 + port_offsets[2*i*num_abits +: num_abits])
1170     `define PORT_OFFSET_B    (0 + port_offsets[2*i*num_abits + num_abits +: num_
↪abits])
1171
1172     integer i, j;
1173     reg [Y_WIDTH-1:0] tmp_a, tmp_b;
1174
1175     always @* begin
1176         Y = 0;
1177         for (i = 0; i < num_ports; i = i+1)
1178             begin
1179                 tmp_a = 0;
1180                 tmp_b = 0;
1181
1182                 for (j = 0; j < `PORT_SIZE_A; j = j+1)
1183                     tmp_a[j] = A[`PORT_OFFSET_A + j];
1184
1185                 if (`PORT_IS_SIGNED && `PORT_SIZE_A > 0)
1186                     for (j = `PORT_SIZE_A; j < Y_WIDTH; j = j+1)
1187                         tmp_a[j] = tmp_a[`PORT_SIZE_A-1];
1188
1189                 for (j = 0; j < `PORT_SIZE_B; j = j+1)
1190                     tmp_b[j] = A[`PORT_OFFSET_B + j];
1191
1192                 if (`PORT_IS_SIGNED && `PORT_SIZE_B > 0)
1193                     for (j = `PORT_SIZE_B; j < Y_WIDTH; j = j+1)
1194                         tmp_b[j] = tmp_b[`PORT_SIZE_B-1];
1195
1196                 if (`PORT_SIZE_B > 0)
1197                     tmp_a = tmp_a * tmp_b;
1198
1199                 if (`PORT_DO_SUBTRACT)
1200                     Y = Y - tmp_a;
1201                 else
1202                     Y = Y + tmp_a;
1203             end
1204         for (i = 0; i < B_WIDTH; i = i+1) begin
1205             Y = Y + B[i];
1206         end
1207     end
1208
1209     `undef PORT_IS_SIGNED
1210     `undef PORT_DO_SUBTRACT

```

(continues on next page)

(continued from previous page)

```

1211   `undef PORT_SIZE_A
1212   `undef PORT_SIZE_B
1213   `undef PORT_OFFSET_A
1214   `undef PORT_OFFSET_B
1215
1216 endmodule

```

yosys> help \$macc\_v2

Multiply and add. This cell represents a generic fused multiply-add operation, it supersedes the earlier \$macc cell.

#### Properties

*is\_evaluable*

Simulation model (verilog)

Listing 9.74: simlib.v

```

1228 module \macc_v2 (A, B, C, Y);
1229
1230   parameter NPRODUCTS = 0;
1231   parameter NADDENDS = 0;
1232   parameter A_WIDTHS = 16'h0000;
1233   parameter B_WIDTHS = 16'h0000;
1234   parameter C_WIDTHS = 16'h0000;
1235   parameter Y_WIDTH = 0;
1236
1237   parameter PRODUCT_NEGATED = 1'bx;
1238   parameter ADDEND_NEGATED = 1'bx;
1239   parameter A_SIGNED = 1'bx;
1240   parameter B_SIGNED = 1'bx;
1241   parameter C_SIGNED = 1'bx;
1242
1243   function integer sum_widths1;
1244     input [(16*NPRODUCTS)-1:0] widths;
1245     integer i;
1246     begin
1247       sum_widths1 = 0;
1248       for (i = 0; i < NPRODUCTS; i++) begin
1249         sum_widths1 = sum_widths1 + widths[16*i+:16];
1250       end
1251     end
1252   endfunction
1253
1254   function integer sum_widths2;
1255     input [(16*NADDENDS)-1:0] widths;
1256     integer i;
1257     begin
1258       sum_widths2 = 0;
1259       for (i = 0; i < NADDENDS; i++) begin
1260         sum_widths2 = sum_widths2 + widths[16*i+:16];
1261       end
1262     end

```

(continues on next page)

(continued from previous page)

```

1263     endfunction
1264
1265     input [sum_widths1(A_WIDTHS)-1:0] A; // concatenation of LHS factors
1266     input [sum_widths1(B_WIDTHS)-1:0] B; // concatenation of RHS factors
1267     input [sum_widths2(C_WIDTHS)-1:0] C; // concatenation of summands
1268     output reg [Y_WIDTH-1:0] Y; // output sum
1269
1270     integer i, j, ai, bi, ci, aw, bw, cw;
1271     reg [Y_WIDTH-1:0] product;
1272     reg [Y_WIDTH-1:0] addend, oper_a, oper_b;
1273
1274     always @* begin
1275         Y = 0;
1276         ai = 0;
1277         bi = 0;
1278         for (i = 0; i < NPRODUCTS; i = i+1)
1279             begin
1280                 aw = A_WIDTHS[16*i+:16];
1281                 bw = B_WIDTHS[16*i+:16];
1282
1283                 oper_a = 0;
1284                 oper_b = 0;
1285                 for (j = 0; j < Y_WIDTH && j < aw; j = j + 1)
1286                     oper_a[j] = A[ai + j];
1287                 for (j = 0; j < Y_WIDTH && j < bw; j = j + 1)
1288                     oper_b[j] = B[bi + j];
1289                 // A_SIGNED[i] == B_SIGNED[i] as RTLIL invariant
1290                 if (A_SIGNED[i] && B_SIGNED[i]) begin
1291                     for (j = aw; j > 0 && j < Y_WIDTH; j = j + 1)
1292                         oper_a[j] = oper_a[j - 1];
1293                     for (j = bw; j > 0 && j < Y_WIDTH; j = j + 1)
1294                         oper_b[j] = oper_b[j - 1];
1295                 end
1296
1297                 product = oper_a * oper_b;
1298
1299                 if (PRODUCT_NEGATED[i])
1300                     Y = Y - product;
1301                 else
1302                     Y = Y + product;
1303
1304                 ai = ai + aw;
1305                 bi = bi + bw;
1306             end
1307
1308         ci = 0;
1309         for (i = 0; i < NADDEDS; i = i+1)
1310             begin
1311                 cw = C_WIDTHS[16*i+:16];
1312
1313                 addend = 0;
1314                 for (j = 0; j < Y_WIDTH && j < cw; j = j + 1)

```

(continues on next page)

(continued from previous page)

```

1315         addend[j] = C[ci + j];
1316     if (C_SIGNED[i]) begin
1317         for (j = cw; j > 0 && j < Y_WIDTH; j = j + 1)
1318             addend[j] = addend[j - 1];
1319     end
1320
1321     if (ADDEEND_NEGATED[i])
1322         Y = Y - addend;
1323     else
1324         Y = Y + addend;
1325
1326     ci = ci + cw;
1327 end
1328 end
1329
1330 endmodule

```

### 9.1.8 Arbitrary logic functions

The *\$lut* cell type implements a single-output LUT (lookup table). It implements an arbitrary logic function with its `\LUT` parameter to map input port `\A` to values of `\Y` output port values. In pseudocode:  $Y = \text{\LUT}[\text{\A}]$ . `\A` has width set by parameter `\WIDTH` and `\Y` has a width of 1. Every logic function with a single bit output has a unique *\$lut* representation.

The *\$sop* cell type implements a sum-of-products expression, also known as disjunctive normal form (DNF). It implements an arbitrary logic function. Its structure mimics a programmable logic array (PLA). Output port `\Y` is the sum of products of the bits of the input port `\A` as defined by parameter `\TABLE`. `\A` is `\WIDTH` bits wide. The number of products in the sum is set by parameter `\DEPTH`, and each product has two bits for each input bit - for the presence of the unnegated and negated version of said input bit in the product. Therefore the `\TABLE` parameter holds  $2 * \text{\WIDTH} * \text{\DEPTH}$  bits.

For example:

Let `\WIDTH` be 3. We would like to represent  $Y = \sim A[0] + A[1] \sim A[2]$ . There are 2 products to be summed, so `\DEPTH` shall be 2.

```

~A[2]-----+
 A[2]-----+
~A[1]----+||
 A[1]---+|||
~A[0]--+|||
 A[0]+||||
      ||||| product formula
      010000 ~\A[0]
      001001 \A[1]~\A[2]

```

So the value of `\TABLE` will become 010000001001.

Any logic function with a single bit output can be represented with *\$sop* but may have variously minimized or ordered summands represented in the `\TABLE` values.

```
yosys> help $lut
```

**Properties***is\_evaluable*

Simulation model (verilog)

Listing 9.75: simlib.v

```

1763 module \${lut} (A, Y);
1764
1765     parameter WIDTH = 0;
1766     parameter LUT = 0;
1767
1768     input [WIDTH-1:0] A;
1769     output Y;
1770
1771     \${bmux} #(.WIDTH(1), .S_WIDTH(WIDTH)) mux(.A(LUT[(1<<WIDTH)-1:0]), .S(A), .Y(Y));
1772
1773 endmodule

```

yosys&gt; help \$sop

**Properties***is\_evaluable*

Simulation model (verilog)

Listing 9.76: simlib.v

```

1779 module \${sop} (A, Y);
1780
1781     parameter WIDTH = 0;
1782     parameter DEPTH = 0;
1783     parameter TABLE = 0;
1784
1785     input [WIDTH-1:0] A;
1786     output reg Y;
1787
1788     integer i, j;
1789     reg match;
1790
1791     always @* begin
1792         Y = 0;
1793         for (i = 0; i < DEPTH; i=i+1) begin
1794             match = 1;
1795             for (j = 0; j < WIDTH; j=j+1) begin
1796                 if (TABLE[2*WIDTH*i + 2*j + 0] && A[j]) match = 0;
1797                 if (TABLE[2*WIDTH*i + 2*j + 1] && !A[j]) match = 0;
1798             end
1799             if (match) Y = 1;
1800         end
1801     end
1802
1803 endmodule

```

## 9.1.9 Specify rules

### Todo

*\$specify2*, *\$specify3*, and *\$specrule* cells.

```
yosys> help $specify2
```

```
Simulation model (verilog)
```

Listing 9.77: simlib.v

```
1831 module \${specify2} (EN, SRC, DST);
1832
1833     parameter FULL = 0;
1834     parameter SRC_WIDTH = 1;
1835     parameter DST_WIDTH = 1;
1836
1837     parameter SRC_DST_PEN = 0;
1838     parameter SRC_DST_POL = 0;
1839
1840     parameter T_RISE_MIN = 0;
1841     parameter T_RISE_TYP = 0;
1842     parameter T_RISE_MAX = 0;
1843
1844     parameter T_FALL_MIN = 0;
1845     parameter T_FALL_TYP = 0;
1846     parameter T_FALL_MAX = 0;
1847
1848     input EN;
1849     input [SRC_WIDTH-1:0] SRC;
1850     input [DST_WIDTH-1:0] DST;
1851
1852     localparam SD = SRC_DST_PEN ? (SRC_DST_POL ? 1 : 2) : 0;
1853
1854     `ifdef SIMLIB_SPECIFY
1855     specify
1856         if (EN && SD==0 && !FULL) (SRC => DST) = (T_RISE_MIN:T_RISE_TYP:T_RISE_MAX,
1857 → T_FALL_MIN:T_FALL_TYP:T_FALL_MAX);
1858         if (EN && SD==0 && FULL) (SRC *> DST) = (T_RISE_MIN:T_RISE_TYP:T_RISE_MAX,
1859 → T_FALL_MIN:T_FALL_TYP:T_FALL_MAX);
1860         if (EN && SD==1 && !FULL) (SRC +=> DST) = (T_RISE_MIN:T_RISE_TYP:T_RISE_MAX,
1861 → T_FALL_MIN:T_FALL_TYP:T_FALL_MAX);
1862         if (EN && SD==1 && FULL) (SRC **> DST) = (T_RISE_MIN:T_RISE_TYP:T_RISE_MAX,
1863 → T_FALL_MIN:T_FALL_TYP:T_FALL_MAX);
1864         if (EN && SD==2 && !FULL) (SRC ==> DST) = (T_RISE_MIN:T_RISE_TYP:T_RISE_MAX,
1865 → T_FALL_MIN:T_FALL_TYP:T_FALL_MAX);
1866         if (EN && SD==2 && FULL) (SRC **> DST) = (T_RISE_MIN:T_RISE_TYP:T_RISE_MAX,
1867 → T_FALL_MIN:T_FALL_TYP:T_FALL_MAX);
1868     endspecify
1869     `endif
```

(continues on next page)

(continued from previous page)

```
1864
1865 endmodule
```

```
yosys> help $specify3
```

```
Simulation model (verilog)
```

Listing 9.78: simlib.v

```
1870 module \ $specify3 (EN, SRC, DST, DAT);
1871
1872     parameter FULL = 0;
1873     parameter SRC_WIDTH = 1;
1874     parameter DST_WIDTH = 1;
1875
1876     parameter EDGE_EN = 0;
1877     parameter EDGE_POL = 0;
1878
1879     parameter SRC_DST_PEN = 0;
1880     parameter SRC_DST_POL = 0;
1881
1882     parameter DAT_DST_PEN = 0;
1883     parameter DAT_DST_POL = 0;
1884
1885     parameter T_RISE_MIN = 0;
1886     parameter T_RISE_TYP = 0;
1887     parameter T_RISE_MAX = 0;
1888
1889     parameter T_FALL_MIN = 0;
1890     parameter T_FALL_TYP = 0;
1891     parameter T_FALL_MAX = 0;
1892
1893     input EN;
1894     input [SRC_WIDTH-1:0] SRC;
1895     input [DST_WIDTH-1:0] DST, DAT;
1896
1897     localparam ED = EDGE_EN ? (EDGE_POL ? 1 : 2) : 0;
1898     localparam SD = SRC_DST_PEN ? (SRC_DST_POL ? 1 : 2) : 0;
1899     localparam DD = DAT_DST_PEN ? (DAT_DST_POL ? 1 : 2) : 0;
1900
1901     `ifdef SIMLIB_SPECIFY
1902     specify
1903         // DD=0
1904
1905         if (EN && DD==0 && SD==0 && ED==0 && !FULL) ( SRC => (DST : DAT))_L
↪= (T_RISE_MIN:T_RISE_TYP:T_RISE_MAX, T_FALL_MIN:T_FALL_TYP:T_FALL_MAX);
1906         if (EN && DD==0 && SD==0 && ED==0 && FULL) ( SRC *> (DST : DAT))_L
↪= (T_RISE_MIN:T_RISE_TYP:T_RISE_MAX, T_FALL_MIN:T_FALL_TYP:T_FALL_MAX);
1907         if (EN && DD==0 && SD==0 && ED==1 && !FULL) (posedge SRC => (DST : DAT))_L
↪= (T_RISE_MIN:T_RISE_TYP:T_RISE_MAX, T_FALL_MIN:T_FALL_TYP:T_FALL_MAX);
1908         if (EN && DD==0 && SD==0 && ED==1 && FULL) (posedge SRC *> (DST : DAT))_L
↪= (T_RISE_MIN:T_RISE_TYP:T_RISE_MAX, T_FALL_MIN:T_FALL_TYP:T_FALL_MAX);
```

(continues on next page)

(continued from previous page)

```

1909     if (EN && DD==0 && SD==0 && ED==2 && !FULL) (negedge SRC => (DST : DAT))␣
↪= (T_RISE_MIN:T_RISE_TYP:T_RISE_MAX, T_FALL_MIN:T_FALL_TYP:T_FALL_MAX);
1910     if (EN && DD==0 && SD==0 && ED==2 && FULL) (negedge SRC *> (DST : DAT))␣
↪= (T_RISE_MIN:T_RISE_TYP:T_RISE_MAX, T_FALL_MIN:T_FALL_TYP:T_FALL_MAX);
1911
1912     if (EN && DD==0 && SD==1 && ED==0 && !FULL) (      SRC +=> (DST : DAT))␣
↪= (T_RISE_MIN:T_RISE_TYP:T_RISE_MAX, T_FALL_MIN:T_FALL_TYP:T_FALL_MAX);
1913     if (EN && DD==0 && SD==1 && ED==0 && FULL) (      SRC +=> (DST : DAT))␣
↪= (T_RISE_MIN:T_RISE_TYP:T_RISE_MAX, T_FALL_MIN:T_FALL_TYP:T_FALL_MAX);
1914     if (EN && DD==0 && SD==1 && ED==1 && !FULL) (posedge SRC +=> (DST : DAT))␣
↪= (T_RISE_MIN:T_RISE_TYP:T_RISE_MAX, T_FALL_MIN:T_FALL_TYP:T_FALL_MAX);
1915     if (EN && DD==0 && SD==1 && ED==1 && FULL) (posedge SRC +=> (DST : DAT))␣
↪= (T_RISE_MIN:T_RISE_TYP:T_RISE_MAX, T_FALL_MIN:T_FALL_TYP:T_FALL_MAX);
1916     if (EN && DD==0 && SD==1 && ED==2 && !FULL) (negedge SRC +=> (DST : DAT))␣
↪= (T_RISE_MIN:T_RISE_TYP:T_RISE_MAX, T_FALL_MIN:T_FALL_TYP:T_FALL_MAX);
1917     if (EN && DD==0 && SD==1 && ED==2 && FULL) (negedge SRC +=> (DST : DAT))␣
↪= (T_RISE_MIN:T_RISE_TYP:T_RISE_MAX, T_FALL_MIN:T_FALL_TYP:T_FALL_MAX);
1918
1919     if (EN && DD==0 && SD==2 && ED==0 && !FULL) (      SRC --> (DST : DAT))␣
↪= (T_RISE_MIN:T_RISE_TYP:T_RISE_MAX, T_FALL_MIN:T_FALL_TYP:T_FALL_MAX);
1920     if (EN && DD==0 && SD==2 && ED==0 && FULL) (      SRC --> (DST : DAT))␣
↪= (T_RISE_MIN:T_RISE_TYP:T_RISE_MAX, T_FALL_MIN:T_FALL_TYP:T_FALL_MAX);
1921     if (EN && DD==0 && SD==2 && ED==1 && !FULL) (posedge SRC --> (DST : DAT))␣
↪= (T_RISE_MIN:T_RISE_TYP:T_RISE_MAX, T_FALL_MIN:T_FALL_TYP:T_FALL_MAX);
1922     if (EN && DD==0 && SD==2 && ED==1 && FULL) (posedge SRC --> (DST : DAT))␣
↪= (T_RISE_MIN:T_RISE_TYP:T_RISE_MAX, T_FALL_MIN:T_FALL_TYP:T_FALL_MAX);
1923     if (EN && DD==0 && SD==2 && ED==2 && !FULL) (negedge SRC --> (DST : DAT))␣
↪= (T_RISE_MIN:T_RISE_TYP:T_RISE_MAX, T_FALL_MIN:T_FALL_TYP:T_FALL_MAX);
1924     if (EN && DD==0 && SD==2 && ED==2 && FULL) (negedge SRC --> (DST : DAT))␣
↪= (T_RISE_MIN:T_RISE_TYP:T_RISE_MAX, T_FALL_MIN:T_FALL_TYP:T_FALL_MAX);
1925
1926     // DD=1
1927
1928     if (EN && DD==1 && SD==0 && ED==0 && !FULL) (      SRC => (DST +: DAT))␣
↪= (T_RISE_MIN:T_RISE_TYP:T_RISE_MAX, T_FALL_MIN:T_FALL_TYP:T_FALL_MAX);
1929     if (EN && DD==1 && SD==0 && ED==0 && FULL) (      SRC *> (DST +: DAT))␣
↪= (T_RISE_MIN:T_RISE_TYP:T_RISE_MAX, T_FALL_MIN:T_FALL_TYP:T_FALL_MAX);
1930     if (EN && DD==1 && SD==0 && ED==1 && !FULL) (posedge SRC => (DST +: DAT))␣
↪= (T_RISE_MIN:T_RISE_TYP:T_RISE_MAX, T_FALL_MIN:T_FALL_TYP:T_FALL_MAX);
1931     if (EN && DD==1 && SD==0 && ED==1 && FULL) (posedge SRC *> (DST +: DAT))␣
↪= (T_RISE_MIN:T_RISE_TYP:T_RISE_MAX, T_FALL_MIN:T_FALL_TYP:T_FALL_MAX);
1932     if (EN && DD==1 && SD==0 && ED==2 && !FULL) (negedge SRC => (DST +: DAT))␣
↪= (T_RISE_MIN:T_RISE_TYP:T_RISE_MAX, T_FALL_MIN:T_FALL_TYP:T_FALL_MAX);
1933     if (EN && DD==1 && SD==0 && ED==2 && FULL) (negedge SRC *> (DST +: DAT))␣
↪= (T_RISE_MIN:T_RISE_TYP:T_RISE_MAX, T_FALL_MIN:T_FALL_TYP:T_FALL_MAX);
1934
1935     if (EN && DD==1 && SD==1 && ED==0 && !FULL) (      SRC +=> (DST +: DAT))␣
↪= (T_RISE_MIN:T_RISE_TYP:T_RISE_MAX, T_FALL_MIN:T_FALL_TYP:T_FALL_MAX);
1936     if (EN && DD==1 && SD==1 && ED==0 && FULL) (      SRC +=> (DST +: DAT))␣
↪= (T_RISE_MIN:T_RISE_TYP:T_RISE_MAX, T_FALL_MIN:T_FALL_TYP:T_FALL_MAX);
1937     if (EN && DD==1 && SD==1 && ED==1 && !FULL) (posedge SRC +=> (DST +: DAT))␣
↪= (T_RISE_MIN:T_RISE_TYP:T_RISE_MAX, T_FALL_MIN:T_FALL_TYP:T_FALL_MAX);

```

(continues on next page)

(continued from previous page)

```

1938     if (EN && DD==1 && SD==1 && ED==1 && FULL) (posedge SRC +> (DST +: DAT))
↳= (T_RISE_MIN:T_RISE_TYP:T_RISE_MAX, T_FALL_MIN:T_FALL_TYP:T_FALL_MAX);
1939     if (EN && DD==1 && SD==1 && ED==2 && !FULL) (negedge SRC +> (DST +: DAT))
↳= (T_RISE_MIN:T_RISE_TYP:T_RISE_MAX, T_FALL_MIN:T_FALL_TYP:T_FALL_MAX);
1940     if (EN && DD==1 && SD==1 && ED==2 && FULL) (negedge SRC +> (DST +: DAT))
↳= (T_RISE_MIN:T_RISE_TYP:T_RISE_MAX, T_FALL_MIN:T_FALL_TYP:T_FALL_MAX);
1941
1942     if (EN && DD==1 && SD==2 && ED==0 && !FULL) (      SRC ==> (DST +: DAT))
↳= (T_RISE_MIN:T_RISE_TYP:T_RISE_MAX, T_FALL_MIN:T_FALL_TYP:T_FALL_MAX);
1943     if (EN && DD==1 && SD==2 && ED==0 && FULL) (      SRC -*> (DST +: DAT))
↳= (T_RISE_MIN:T_RISE_TYP:T_RISE_MAX, T_FALL_MIN:T_FALL_TYP:T_FALL_MAX);
1944     if (EN && DD==1 && SD==2 && ED==1 && !FULL) (posedge SRC ==> (DST +: DAT))
↳= (T_RISE_MIN:T_RISE_TYP:T_RISE_MAX, T_FALL_MIN:T_FALL_TYP:T_FALL_MAX);
1945     if (EN && DD==1 && SD==2 && ED==1 && FULL) (posedge SRC -*> (DST +: DAT))
↳= (T_RISE_MIN:T_RISE_TYP:T_RISE_MAX, T_FALL_MIN:T_FALL_TYP:T_FALL_MAX);
1946     if (EN && DD==1 && SD==2 && ED==2 && !FULL) (negedge SRC ==> (DST +: DAT))
↳= (T_RISE_MIN:T_RISE_TYP:T_RISE_MAX, T_FALL_MIN:T_FALL_TYP:T_FALL_MAX);
1947     if (EN && DD==1 && SD==2 && ED==2 && FULL) (negedge SRC -*> (DST +: DAT))
↳= (T_RISE_MIN:T_RISE_TYP:T_RISE_MAX, T_FALL_MIN:T_FALL_TYP:T_FALL_MAX);
1948
1949     // DD=2
1950
1951     if (EN && DD==2 && SD==0 && ED==0 && !FULL) (      SRC => (DST -: DAT))
↳= (T_RISE_MIN:T_RISE_TYP:T_RISE_MAX, T_FALL_MIN:T_FALL_TYP:T_FALL_MAX);
1952     if (EN && DD==2 && SD==0 && ED==0 && FULL) (      SRC *> (DST -: DAT))
↳= (T_RISE_MIN:T_RISE_TYP:T_RISE_MAX, T_FALL_MIN:T_FALL_TYP:T_FALL_MAX);
1953     if (EN && DD==2 && SD==0 && ED==1 && !FULL) (posedge SRC => (DST -: DAT))
↳= (T_RISE_MIN:T_RISE_TYP:T_RISE_MAX, T_FALL_MIN:T_FALL_TYP:T_FALL_MAX);
1954     if (EN && DD==2 && SD==0 && ED==1 && FULL) (posedge SRC *> (DST -: DAT))
↳= (T_RISE_MIN:T_RISE_TYP:T_RISE_MAX, T_FALL_MIN:T_FALL_TYP:T_FALL_MAX);
1955     if (EN && DD==2 && SD==0 && ED==2 && !FULL) (negedge SRC => (DST -: DAT))
↳= (T_RISE_MIN:T_RISE_TYP:T_RISE_MAX, T_FALL_MIN:T_FALL_TYP:T_FALL_MAX);
1956     if (EN && DD==2 && SD==0 && ED==2 && FULL) (negedge SRC *> (DST -: DAT))
↳= (T_RISE_MIN:T_RISE_TYP:T_RISE_MAX, T_FALL_MIN:T_FALL_TYP:T_FALL_MAX);
1957
1958     if (EN && DD==2 && SD==1 && ED==0 && !FULL) (      SRC +> (DST -: DAT))
↳= (T_RISE_MIN:T_RISE_TYP:T_RISE_MAX, T_FALL_MIN:T_FALL_TYP:T_FALL_MAX);
1959     if (EN && DD==2 && SD==1 && ED==0 && FULL) (      SRC +> (DST -: DAT))
↳= (T_RISE_MIN:T_RISE_TYP:T_RISE_MAX, T_FALL_MIN:T_FALL_TYP:T_FALL_MAX);
1960     if (EN && DD==2 && SD==1 && ED==1 && !FULL) (posedge SRC +> (DST -: DAT))
↳= (T_RISE_MIN:T_RISE_TYP:T_RISE_MAX, T_FALL_MIN:T_FALL_TYP:T_FALL_MAX);
1961     if (EN && DD==2 && SD==1 && ED==1 && FULL) (posedge SRC +> (DST -: DAT))
↳= (T_RISE_MIN:T_RISE_TYP:T_RISE_MAX, T_FALL_MIN:T_FALL_TYP:T_FALL_MAX);
1962     if (EN && DD==2 && SD==1 && ED==2 && !FULL) (negedge SRC +> (DST -: DAT))
↳= (T_RISE_MIN:T_RISE_TYP:T_RISE_MAX, T_FALL_MIN:T_FALL_TYP:T_FALL_MAX);
1963     if (EN && DD==2 && SD==1 && ED==2 && FULL) (negedge SRC +> (DST -: DAT))
↳= (T_RISE_MIN:T_RISE_TYP:T_RISE_MAX, T_FALL_MIN:T_FALL_TYP:T_FALL_MAX);
1964
1965     if (EN && DD==2 && SD==2 && ED==0 && !FULL) (      SRC ==> (DST -: DAT))
↳= (T_RISE_MIN:T_RISE_TYP:T_RISE_MAX, T_FALL_MIN:T_FALL_TYP:T_FALL_MAX);
1966     if (EN && DD==2 && SD==2 && ED==0 && FULL) (      SRC -*> (DST -: DAT))
↳= (T_RISE_MIN:T_RISE_TYP:T_RISE_MAX, T_FALL_MIN:T_FALL_TYP:T_FALL_MAX);

```

(continues on next page)

(continued from previous page)

```

1967     if (EN && DD==2 && SD==2 && ED==1 && !FULL) (posedge SRC ==> (DST -: DAT))
↳= (T_RISE_MIN:T_RISE_TYP:T_RISE_MAX, T_FALL_MIN:T_FALL_TYP:T_FALL_MAX);
1968     if (EN && DD==2 && SD==2 && ED==1 && FULL) (posedge SRC -*> (DST -: DAT))
↳= (T_RISE_MIN:T_RISE_TYP:T_RISE_MAX, T_FALL_MIN:T_FALL_TYP:T_FALL_MAX);
1969     if (EN && DD==2 && SD==2 && ED==2 && !FULL) (negedge SRC ==> (DST -: DAT))
↳= (T_RISE_MIN:T_RISE_TYP:T_RISE_MAX, T_FALL_MIN:T_FALL_TYP:T_FALL_MAX);
1970     if (EN && DD==2 && SD==2 && ED==2 && FULL) (negedge SRC -*> (DST -: DAT))
↳= (T_RISE_MIN:T_RISE_TYP:T_RISE_MAX, T_FALL_MIN:T_FALL_TYP:T_FALL_MAX);
1971     endspecify
1972     `endif
1973
1974 endmodule

```

```
yosys> help $specrule
```

```
Simulation model (verilog)
```

Listing 9.79: simlib.v

```

1979 module \specrule (SRC_EN, DST_EN, SRC, DST);
1980
1981     parameter TYPE = "";
1982     parameter T_LIMIT = 0;
1983     parameter T_LIMIT2 = 0;
1984
1985     parameter SRC_WIDTH = 1;
1986     parameter DST_WIDTH = 1;
1987
1988     parameter SRC_PEN = 0;
1989     parameter SRC_POL = 0;
1990
1991     parameter DST_PEN = 0;
1992     parameter DST_POL = 0;
1993
1994     input SRC_EN, DST_EN;
1995     input [SRC_WIDTH-1:0] SRC;
1996     input [DST_WIDTH-1:0] DST;
1997
1998     `ifdef SIMLIB_SPECIFY
1999     specify
2000         // TBD
2001     endspecify
2002     `endif
2003
2004 endmodule

```

### 9.1.10 Formal verification cells

#### Note

Some front-ends may not support the generic `$check` cell, in such cases calling `chformal -lower` will

convert each *\$check* cell into it's equivalent. See *chformal* for more.

### Todo

Describe formal cells

*\$check*, *\$assert*, *\$assume*, *\$live*, *\$fair*, *\$cover*, *\$equiv*, *\$initstate*, *\$anyconst*, *\$anyseq*, *\$anyinit*, *\$allconst*, and *\$allseq*.

Also *\$ff* and *\$\_FF\_* cells.

```
yosys> help $allconst
```

Simulation model (verilog)

Listing 9.80: simlib.v

```
2183 module \ $allconst (Y);
2184
2185     parameter WIDTH = 0;
2186
2187     output [WIDTH-1:0] Y;
2188
2189     assign Y = 'bx;
2190
2191 endmodule
```

```
yosys> help $allseq
```

Simulation model (verilog)

Listing 9.81: simlib.v

```
2196 module \ $allseq (Y);
2197
2198     parameter WIDTH = 0;
2199
2200     output [WIDTH-1:0] Y;
2201
2202     assign Y = 'bx;
2203
2204 endmodule
```

```
yosys> help $anyconst
```

Simulation model (verilog)

Listing 9.82: simlib.v

```
2136 module \ $anyconst (Y);
2137
```

(continues on next page)

(continued from previous page)

```

2138     parameter WIDTH = 0;
2139
2140     output [WIDTH-1:0] Y;
2141
2142     assign Y = 'bx;
2143
2144 endmodule

```

yosys> help \$anyinit

Simulation model (verilog)

Listing 9.83: simlib.v

```

2165 module \ $anyinit (D, Q);
2166
2167     parameter WIDTH = 0;
2168
2169     input [WIDTH-1:0] D;
2170     output reg [WIDTH-1:0] Q;
2171
2172     initial Q <= 'bx;
2173
2174     always @(`SIMLIB_GLOBAL_CLOCK) begin
2175         Q <= D;
2176     end
2177
2178 endmodule

```

yosys> help \$anyseq

Simulation model (verilog)

Listing 9.84: simlib.v

```

2149 module \ $anyseq (Y);
2150
2151     parameter WIDTH = 0;
2152
2153     output [WIDTH-1:0] Y;
2154
2155     assign Y = 'bx;
2156
2157 endmodule

```

yosys> help \$assert

Simulation model (verilog)

Listing 9.85: simlib.v

```

2055 module \ $assert (A, EN);
2056

```

(continues on next page)

(continued from previous page)

```
2057     input A, EN;
2058
2059     `ifndef SIMLIB_NOCHECKS
2060     always @* begin
2061         if (A !== 1'b1 && EN === 1'b1) begin
2062             $display("Assertion %m failed!");
2063             $stop;
2064         end
2065     end
2066     `endif
2067
2068 endmodule
```

yosys> help \$assume

Simulation model (verilog)

Listing 9.86: simlib.v

```
2073 module \ $assume (A, EN);
2074
2075     input A, EN;
2076
2077     `ifndef SIMLIB_NOCHECKS
2078     always @* begin
2079         if (A !== 1'b1 && EN === 1'b1) begin
2080             $display("Assumption %m failed!");
2081             $stop;
2082         end
2083     end
2084     `endif
2085
2086 endmodule
```

yosys> help \$cover

Simulation model (verilog)

Listing 9.87: simlib.v

```
2109 module \ $cover (A, EN);
2110
2111     input A, EN;
2112
2113 endmodule
```

yosys> help \$equiv

Simulation model (verilog)

Listing 9.88: simlib.v

```

2209 module \sequiv (A, B, Y);
2210
2211     input A, B;
2212     output Y;
2213
2214     assign Y = (A !== 1'bx && A !== B) ? 1'bx : A;
2215
2216     `ifndef SIMLIB_NOCHECKS
2217     always @* begin
2218         if (A !== 1'bx && A !== B) begin
2219             $display("Equivalence failed!");
2220             $stop;
2221         end
2222     end
2223     `endif
2224
2225 endmodule

```

```
yosys> help $fair
```

```
Simulation model (verilog)
```

Listing 9.89: simlib.v

```

2100 module \fair (A, EN);
2101
2102     input A, EN;
2103
2104 endmodule

```

```
yosys> help $ff
```

```
Simulation model (verilog)
```

Listing 9.90: simlib.v

```

2306 module \ff (D, Q);
2307
2308     parameter WIDTH = 0;
2309
2310     input [WIDTH-1:0] D;
2311     output reg [WIDTH-1:0] Q;
2312
2313     always @(`SIMLIB_GLOBAL_CLOCK) begin
2314         Q <= D;
2315     end
2316
2317 endmodule

```

```
yosys> help $initstate
```

```
Simulation model (verilog)
```

Listing 9.91: simlib.v

```

2118 module \$initstate (Y);
2119
2120     output reg Y = 1;
2121     reg [3:0] cnt = 1;
2122     reg trig = 0;
2123
2124     initial trig <= 1;
2125
2126     always @(cnt, trig) begin
2127         Y <= |cnt;
2128         cnt <= cnt + |cnt;
2129     end
2130
2131 endmodule

```

```
yosys> help $live
```

```
Simulation model (verilog)
```

Listing 9.92: simlib.v

```

2091 module $live (A, EN);
2092
2093     input A, EN;
2094
2095 endmodule

```

## Formal support cells

```
yosys> help $future_ff
```

```
Simulation model (verilog)
```

Listing 9.93: simlib.v

```

3208 module $future_ff (A, Y);
3209
3210     parameter WIDTH = 0;
3211
3212     input [WIDTH-1:0] A;
3213     output [WIDTH-1:0] Y;
3214
3215     assign Y = A;
3216
3217 endmodule

```

```
yosys> help $get_tag
```

```
Simulation model (verilog)
```

Listing 9.94: simlib.v

```

3167 module \${get_tag} (A, Y);
3168
3169     parameter TAG = "";
3170     parameter WIDTH = 0;
3171
3172     input [WIDTH-1:0] A;
3173     output [WIDTH-1:0] Y;
3174
3175     assign Y = A;
3176
3177 endmodule

```

```
yosys> help ${original_tag}
```

```
Simulation model (verilog)
```

Listing 9.95: simlib.v

```

3194 module \${original_tag} (A, Y);
3195
3196     parameter TAG = "";
3197     parameter WIDTH = 0;
3198
3199     input [WIDTH-1:0] A;
3200     output [WIDTH-1:0] Y;
3201
3202     assign Y = A;
3203
3204 endmodule

```

```
yosys> help ${overwrite_tag}
```

```
Simulation model (verilog)
```

Listing 9.96: simlib.v

```

3181 module \${overwrite_tag} (A, SET, CLR);
3182
3183     parameter TAG = "";
3184     parameter WIDTH = 0;
3185
3186     input [WIDTH-1:0] A;
3187     input [WIDTH-1:0] SET;
3188     input [WIDTH-1:0] CLR;
3189
3190 endmodule

```

```
yosys> help ${set_tag}
```

```
Simulation model (verilog)
```

Listing 9.97: simlib.v

```

3151 module \${set_tag} (A, SET, CLR, Y);
3152
3153     parameter TAG = "";
3154     parameter WIDTH = 0;
3155
3156     input [WIDTH-1:0] A;
3157     input [WIDTH-1:0] SET;
3158     input [WIDTH-1:0] CLR;
3159     output [WIDTH-1:0] Y;
3160
3161     assign Y = A;
3162
3163 endmodule

```

### 9.1.11 Debugging cells

The *\$print* cell is used to log the values of signals, akin to (and translatable to) the *\$display* and *\$write* family of tasks in Verilog. It has the following parameters:

#### FORMAT

The internal format string. The syntax is described below.

#### ARGS\_WIDTH

The width (in bits) of the signal on the *ARGS* port.

#### TRG\_ENABLE

True if triggered on specific signals defined in *TRG*; false if triggered whenever *ARGS* or *EN* change and *EN* is 1.

If *TRG\_ENABLE* is true, the following parameters also apply:

#### TRG\_WIDTH

The number of bits in the *TRG* port.

#### TRG\_POLARITY

For each bit in *TRG*, 1 if that signal is positive-edge triggered, 0 if negative-edge triggered.

#### PRIORITY

When multiple *\$print* or *\$check* cells fire on the same trigger, they execute in descending priority order.

Ports:

#### TRG

The signals that control when this *\$print* cell is triggered.

If the width of this port is zero and *TRG\_ENABLE* is true, the cell is triggered during initial evaluation (time zero) only.

#### EN

Enable signal for the whole cell.

#### ARGS

The values to be displayed, in format string order.

yosys> help \$check

Simulation model (verilog)

Listing 9.98: simlib.v

```

2250 module \ $check (A, EN, TRG, ARGS);
2251
2252     parameter FLAVOR = "";
2253     parameter PRIORITY = 0;
2254
2255     parameter FORMAT = "";
2256     parameter ARGS_WIDTH = 0;
2257
2258     parameter TRG_ENABLE = 1;
2259     parameter TRG_WIDTH = 0;
2260     parameter TRG_POLARITY = 0;
2261
2262     input A;
2263     input EN;
2264     input [TRG_WIDTH-1:0] TRG;
2265     input [ARGS_WIDTH-1:0] ARGS;
2266
2267 endmodule

```

yosys> help \$print

Simulation model (verilog)

Listing 9.99: simlib.v

```

2230 module \ $print (EN, TRG, ARGS);
2231
2232     parameter PRIORITY = 0;
2233
2234     parameter FORMAT = "";
2235     parameter signed ARGS_WIDTH = 0;
2236
2237     parameter TRG_ENABLE = 1;
2238     parameter signed TRG_WIDTH = 0;
2239     parameter TRG_POLARITY = 0;
2240
2241     input EN;
2242     input [TRG_WIDTH-1:0] TRG;
2243     input [ARGS_WIDTH-1:0] ARGS;
2244
2245 endmodule

```

yosys> help \$scopeinfo

Simulation model (verilog)

Listing 9.100: simlib.v

```

3222 module \${scopeinfo} ();
3223
3224     parameter TYPE = "";
3225
3226 endmodule

```

### Format string syntax

The format string syntax resembles Python f-strings. Regular text is passed through unchanged until a format specifier is reached, starting with a `{`.

Format specifiers have the following syntax. Unless noted, all items are required:

`{`

Denotes the start of the format specifier.

**size**

Signal size in bits; this many bits are consumed from the `ARGS` port by this specifier.

:

Separates the size from the remaining items.

**justify**

> for right-justified, < for left-justified.

**padding**

0 for zero-padding, or a space for space-padding.

**width?**

(optional) The number of characters wide to pad to.

**base**

- `b` for base-2 integers (binary)
- `o` for base-8 integers (octal)
- `d` for base-10 integers (decimal)
- `h` for base-16 integers (hexadecimal)
- `c` for ASCII characters/strings
- `t` and `r` for simulation time (corresponding to `$time` and `$realtime`)

For integers, this item may follow:

**+?**

(optional, decimals only) Include a leading plus for non-negative numbers. This can assist with symmetry with negatives in tabulated output.

**signedness**

`u` for unsigned, `s` for signed. This distinction is only respected when rendering decimals.

ASCII characters/strings have no special options, but the signal size must be divisible by 8.

For simulation time, the signal size must be zero.

Finally:

`}`

Denotes the end of the format specifier.

Some example format specifiers:

- `{8:>02hu}` - 8-bit unsigned integer rendered as hexadecimal, right-justified, zero-padded to 2 characters wide.
- `{32:< 15d+s}` - 32-bit signed integer rendered as decimal, left-justified, space-padded to 15 characters wide, positive values prefixed with `+`.
- `{16:< 10hu}` - 16-bit unsigned integer rendered as hexadecimal, left-justified, space-padded to 10 characters wide.
- `{0:>010t}` - simulation time, right-justified, zero-padded to 10 characters wide.

To include literal `{` and `}` characters in your format string, use `{{` and `}}` respectively.

It is an error for a format string to consume more or less bits from `ARGS` than the port width.

Values are never truncated, regardless of the specified width.

Note that further restrictions on allowable combinations of options may apply depending on the backend used.

For example, Verilog does not have a format specifier that allows zero-padding a string (i.e. more than 1 ASCII character), though zero-padding a single character is permitted.

Thus, while the RTLIL format specifier `{8:>02c}` translates to `%02c`, `{16:>02c}` cannot be represented in Verilog and will fail to emit. In this case, `{16:> 02c}` must be used, which translates to `%2s`.

### 9.1.12 Wire cells

#### Todo

Add information about `$slice` and `$concat` cells.

```
yosys> help $concat
```

Concatenation of inputs into a single output (  $Y = \{B, A\}$  ).

#### Properties

*is\_evaluable*

Simulation model (verilog)

Listing 9.101: simlib.v

```

1625 module \ $concat (A, B, Y);
1626
1627     parameter A_WIDTH = 0;
1628     parameter B_WIDTH = 0;
1629
1630     input [A_WIDTH-1:0] A;
1631     input [B_WIDTH-1:0] B;
1632     output [A_WIDTH+B_WIDTH-1:0] Y;
1633
1634     assign Y = {B, A};
1635
1636 endmodule

```

```
yosys> help $connect
```

Simulation model (verilog)

Listing 9.102: simlib.v

```
3232 module \ $connect (A, B);
3233
3234     parameter WIDTH = 0;
3235
3236     inout [WIDTH-1:0] A;
3237     inout [WIDTH-1:0] B;
3238
3239     tran connect[WIDTH-1:0] (A, B);
3240
3241 endmodule
```

```
yosys> help $input_port
```

Simulation model (verilog)

Listing 9.103: simlib.v

```
3246 module \ $input_port (Y);
3247
3248     parameter WIDTH = 0;
3249
3250     inout [WIDTH-1:0] Y;
3251
3252 endmodule
```

```
yosys> help $slice
```

### Properties

*is\_evaluable*

Simulation model (verilog)

Listing 9.104: simlib.v

```
1604 module \ $slice (A, Y);
1605
1606     parameter OFFSET = 0;
1607     parameter A_WIDTH = 0;
1608     parameter Y_WIDTH = 0;
1609
1610     input [A_WIDTH-1:0] A;
1611     output [Y_WIDTH-1:0] Y;
1612
1613     assign Y = A >> OFFSET;
1614
1615 endmodule
```

## 9.2 Gate-level cells

For gate level logic networks, fixed function single bit cells are used that do not provide any parameters.

Simulation models for these cells can be found in the file `techlibs/common/simcells.v` in the Yosys source tree.

In most cases gate level logic networks are created from RTL networks using the `techmap` pass. The flip-flop cells from the gate level logic network can be mapped to physical flip-flop cells from a Liberty file using the `dfflibmap` pass. The combinatorial logic cells can be mapped to physical cells from a Liberty file via ABC using the `abc` pass.

### 9.2.1 Combinatorial cells (simple)

Table 9.4: Cell types for gate level combinatorial cells (simple)

| Verilog                | Cell Type             |
|------------------------|-----------------------|
| $Y = A$                | <code>\$_BUF_</code>  |
| $Y = \sim A$           | <code>\$_NOT_</code>  |
| $Y = A \& B$           | <code>\$_AND_</code>  |
| $Y = \sim(A \& B)$     | <code>\$_NAND_</code> |
| $Y = A   B$            | <code>\$_OR_</code>   |
| $Y = \sim(A   B)$      | <code>\$_NOR_</code>  |
| $Y = A \wedge B$       | <code>\$_XOR_</code>  |
| $Y = \sim(A \wedge B)$ | <code>\$_XNOR_</code> |
| $Y = S ? B : A$        | <code>\$_MUX_</code>  |

```
yosys> help $_AND_
```

A 2-input AND gate.

```
Truth table:  A B | Y
              -----+----
              0 0 | 0
              0 1 | 0
              1 0 | 0
              1 1 | 1
```

#### Properties

*is\_evaluable*

Simulation model (verilog)

Listing 9.105: `simcells.v`

```
78 module \$_AND_ (A, B, Y);
79     input A, B;
80     output Y;
81     assign Y = A & B;
82 endmodule
```

```
yosys> help $_BUF_
```

A buffer. This cell type is always optimized away by the `opt_clean` pass.

```
Truth table:  A | Y
              ---+---
              0 | 0
              1 | 1
```

**Properties***is\_evaluable*

Simulation model (verilog)

Listing 9.106: simcells.v

```
40 module \$_BUF_ (A, Y);
41     input A;
42     output Y;
43     assign Y = A;
44 endmodule
```

yosys&gt; help \$\_MUX\_

A 2-input MUX gate.

```
Truth table:  A B S | Y
              -----+---
              a - 0 | a
              - b 1 | b
```

**Properties***is\_evaluable*

Simulation model (verilog)

Listing 9.107: simcells.v

```
236 module \$_MUX_ (A, B, S, Y);
237     input A, B, S;
238     output Y;
239     assign Y = S ? B : A;
240 endmodule
```

yosys&gt; help \$\_NAND\_

A 2-input NAND gate.

```
Truth table:  A B | Y
              -----+---
              0 0 | 1
              0 1 | 1
              1 0 | 1
              1 1 | 0
```

**Properties***is\_evaluable*

Simulation model (verilog)

Listing 9.108: simcells.v

```

98 module \$_NAND_ (A, B, Y);
99     input A, B;
100    output Y;
101    assign Y = ~(A & B);
102 endmodule

```

yosys> help \$\_NOR\_

A 2-input NOR gate.

| Truth table: | A | B | Y |
|--------------|---|---|---|
|              | 0 | 0 | 1 |
|              | 0 | 1 | 0 |
|              | 1 | 0 | 0 |
|              | 1 | 1 | 0 |

#### Properties

*is\_evaluable*

Simulation model (verilog)

Listing 9.109: simcells.v

```

138 module \$_NOR_ (A, B, Y);
139     input A, B;
140    output Y;
141    assign Y = ~(A | B);
142 endmodule

```

yosys> help \$\_NOT\_

An inverter gate.

| Truth table: | A | Y |
|--------------|---|---|
|              | 0 | 1 |
|              | 1 | 0 |

#### Properties

*is\_evaluable*

Simulation model (verilog)

Listing 9.110: simcells.v

```

58 module \$_NOT_ (A, Y);
59     input A;
60    output Y;
61    assign Y = ~A;
62 endmodule

```

yosys> help \$\_OR\_

A 2-input OR gate.

```
Truth table:  A B | Y
              -----+---
                0 0 | 0
                0 1 | 1
                1 0 | 1
                1 1 | 1
```

### Properties

*is\_evaluable*

Simulation model (verilog)

Listing 9.111: simcells.v

```
118 module \$_OR_ (A, B, Y);
119     input A, B;
120     output Y;
121     assign Y = A | B;
122 endmodule
```

yosys> help \$\_XNOR\_

A 2-input XNOR gate.

```
Truth table:  A B | Y
              -----+---
                0 0 | 1
                0 1 | 0
                1 0 | 0
                1 1 | 1
```

### Properties

*is\_evaluable*

Simulation model (verilog)

Listing 9.112: simcells.v

```
178 module \$_XNOR_ (A, B, Y);
179     input A, B;
180     output Y;
181     assign Y = ~(A ^ B);
182 endmodule
```

yosys> help \$\_XOR\_

A 2-input XOR gate.

```
Truth table:  A B | Y
              -----+---
                0 0 | 0
```

(continues on next page)

(continued from previous page)

```

0 1 | 1
1 0 | 1
1 1 | 0

```

**Properties***is\_evaluable*

Simulation model (verilog)

Listing 9.113: simcells.v

```

158 module \$_XOR_ (A, B, Y);
159     input A, B;
160     output Y;
161     assign Y = A ^ B;
162 endmodule

```

**9.2.2 Combinatorial cells (combined)**

These cells combine two or more combinatorial cells (simple) into a single cell.

Table 9.5: Cell types for gate level combinatorial cells (combined)

| Verilog                         | Cell Type               |
|---------------------------------|-------------------------|
| $Y = A \& \sim B$               | <code>\$_ANDNOT_</code> |
| $Y = A   \sim B$                | <code>\$_ORNOT_</code>  |
| $Y = \sim((A \& B)   C)$        | <code>\$_AOI3_</code>   |
| $Y = \sim((A   B) \& C)$        | <code>\$_OAI3_</code>   |
| $Y = \sim((A \& B)   (C \& D))$ | <code>\$_AOI4_</code>   |
| $Y = \sim((A   B) \& (C   D))$  | <code>\$_OAI4_</code>   |
| $Y = \sim(S ? B : A)$           | <code>\$_NMUX_</code>   |
| (see below)                     | <code>\$_MUX4_</code>   |
| (see below)                     | <code>\$_MUX8_</code>   |
| (see below)                     | <code>\$_MUX16_</code>  |

The `$_MUX4_`, `$_MUX8_` and `$_MUX16_` cells are used to model wide muxes, and correspond to the following Verilog code:

```

// $_MUX4_
assign Y = T ? (S ? D : C) :
           (S ? B : A);

// $_MUX8_
assign Y = U ? T ? (S ? H : G) :
           (S ? F : E) :
           T ? (S ? D : C) :
           (S ? B : A);

// $_MUX16_
assign Y = V ? U ? T ? (S ? P : O) :
           (S ? N : M) :
           T ? (S ? L : K) :
           (S ? J : I);

```

(continues on next page)

(continued from previous page)

```

    U ? T ? (S ? H : G) :
        (S ? F : E) :
    T ? (S ? D : C) :
        (S ? B : A);

```

```
yosys> help $_ANDNOT_
```

A 2-input AND-NOT gate.

```

Truth table:   A B | Y
               -----+---
                0 0 | 0
                0 1 | 0
                1 0 | 1
                1 1 | 0

```

### Properties

*is\_evaluable*

Simulation model (verilog)

Listing 9.114: simcells.v

```

198 module \$_ANDNOT_ (A, B, Y);
199     input A, B;
200     output Y;
201     assign Y = A & (~B);
202 endmodule

```

```
yosys> help $_AOI3_
```

A 3-input And-Or-Invert gate.

```

Truth table:   A B C | Y
               -----+---
                0 0 0 | 1
                0 0 1 | 0
                0 1 0 | 1
                0 1 1 | 0
                1 0 0 | 1
                1 0 1 | 0
                1 1 0 | 0
                1 1 1 | 0

```

### Properties

*is\_evaluable*

Simulation model (verilog)

Listing 9.115: simcells.v

```

367 module \$_AOI3_ (A, B, C, Y);
368     input A, B, C;
369     output Y;
370     assign Y = ~((A & B) | C);
371 endmodule

```

yosys> help \$\_AOI4\_

A 4-input And-Or-Invert gate.

```

Truth table:   A B C D | Y
               -----+---
               0 0 0 0 | 1
               0 0 0 1 | 1
               0 0 1 0 | 1
               0 0 1 1 | 0
               0 1 0 0 | 1
               0 1 0 1 | 1
               0 1 1 0 | 1
               0 1 1 1 | 0
               1 0 0 0 | 1
               1 0 0 1 | 1
               1 0 1 0 | 1
               1 0 1 1 | 0
               1 1 0 0 | 0
               1 1 0 1 | 0
               1 1 1 0 | 0
               1 1 1 1 | 0

```

### Properties

*is\_evaluable*

Simulation model (verilog)

Listing 9.116: simcells.v

```

423 module \$_AOI4_ (A, B, C, D, Y);
424     input A, B, C, D;
425     output Y;
426     assign Y = ~((A & B) | (C & D));
427 endmodule

```

yosys> help \$\_MUX16\_

A 16-input MUX gate.

```

Truth table:   A B C D E F G H I J K L M N O P S T U V | Y
               -----+---
               a - - - - - - - - - - - - - 0 0 0 0 | a
               - b - - - - - - - - - - - - - 1 0 0 0 | b
               - - c - - - - - - - - - - - - - 0 1 0 0 | c
               - - - d - - - - - - - - - - - - - 1 1 0 0 | d

```

(continues on next page)

(continued from previous page)

```

- - - - e - - - - - - - - - - 0 0 1 0 | e
- - - - f - - - - - - - - - - 1 0 1 0 | f
- - - - g - - - - - - - - - - 0 1 1 0 | g
- - - - h - - - - - - - - - - 1 1 1 0 | h
- - - - i - - - - - - - - - - 0 0 0 1 | i
- - - - j - - - - - - - - - - 1 0 0 1 | j
- - - - k - - - - - - - - - - 0 1 0 1 | k
- - - - l - - - - - - - - - - 1 1 0 1 | l
- - - - m - - - - - - - - - - 0 0 1 1 | m
- - - - n - - - - - - - - - - 1 0 1 1 | n
- - - - o - - - - - - - - - - 0 1 1 1 | o
- - - - p - - - - - - - - - - 1 1 1 1 | p

```

**Properties***is\_evaluable*

Simulation model (verilog)

Listing 9.117: simcells.v

```

336 module \$_MUX16_ (A, B, C, D, E, F, G, H, I, J, K, L, M, N, O, P, S, T, U, V, Y);
337   input A, B, C, D, E, F, G, H, I, J, K, L, M, N, O, P, S, T, U, V;
338   output Y;
339   assign Y = V ? U ? T ? (S ? P : O) :
340             (S ? N : M) :
341             T ? (S ? L : K) :
342             (S ? J : I) :
343             U ? T ? (S ? H : G) :
344             (S ? F : E) :
345             T ? (S ? D : C) :
346             (S ? B : A);
347 endmodule

```

yosys&gt; help \$\_MUX4\_

A 4-input MUX gate.

```

Truth table:   A B C D S T | Y
               +-----+
               a - - - 0 0 | a
               - b - - 1 0 | b
               - - c - 0 1 | c
               - - - d 1 1 | d

```

**Properties***is\_evaluable*

Simulation model (verilog)

Listing 9.118: simcells.v

```

276 module \$_MUX4_ (A, B, C, D, S, T, Y);
277     input A, B, C, D, S, T;
278     output Y;
279     assign Y = T ? (S ? D : C) :
280                (S ? B : A);
281 endmodule

```

yosys> help \$\_MUX8\_

An 8-input MUX gate.

```

Truth table:   A B C D E F G H S T U | Y
               -----+-----
               a - - - - - 0 0 0 | a
               - b - - - - - 1 0 0 | b
               - - c - - - - - 0 1 0 | c
               - - - d - - - - - 1 1 0 | d
               - - - - e - - - - 0 0 1 | e
               - - - - - f - - - 1 0 1 | f
               - - - - - g - 0 1 1 | g
               - - - - - - h 1 1 1 | h

```

### Properties

*is\_evaluable*

Simulation model (verilog)

Listing 9.119: simcells.v

```

301 module \$_MUX8_ (A, B, C, D, E, F, G, H, S, T, U, Y);
302     input A, B, C, D, E, F, G, H, S, T, U;
303     output Y;
304     assign Y = U ? T ? (S ? H : G) :
305                (S ? F : E) :
306                T ? (S ? D : C) :
307                (S ? B : A);
308 endmodule

```

yosys> help \$\_NMUX\_

A 2-input inverting MUX gate.

```

Truth table:   A B S | Y
               -----+-----
               0 - 0 | 1
               1 - 0 | 0
               - 0 1 | 1
               - 1 1 | 0

```

### Properties

*is\_evaluable*

Simulation model (verilog)

Listing 9.120: simcells.v

```

256 module \$_NMUX_ (A, B, S, Y);
257     input A, B, S;
258     output Y;
259     assign Y = S ? !B : !A;
260 endmodule

```

yosys&gt; help \$\_OAI3\_

A 3-input Or-And-Invert gate.

```

Truth table:   A B C | Y
               -+---
                0 0 0 | 1
                0 0 1 | 1
                0 1 0 | 1
                0 1 1 | 0
                1 0 0 | 1
                1 0 1 | 0
                1 1 0 | 1
                1 1 1 | 0

```

**Properties***is\_evaluable*

Simulation model (verilog)

Listing 9.121: simcells.v

```

391 module \$_OAI3_ (A, B, C, Y);
392     input A, B, C;
393     output Y;
394     assign Y = ~(A | B) & C;
395 endmodule

```

yosys&gt; help \$\_OAI4\_

A 4-input Or-And-Invert gate.

```

Truth table:   A B C D | Y
               -+---
                0 0 0 0 | 1
                0 0 0 1 | 1
                0 0 1 0 | 1
                0 0 1 1 | 1
                0 1 0 0 | 1
                0 1 0 1 | 0
                0 1 1 0 | 0
                0 1 1 1 | 0
                1 0 0 0 | 1
                1 0 0 1 | 0
                1 0 1 0 | 0

```

(continues on next page)

(continued from previous page)

```

1 0 1 1 | 0
1 1 0 0 | 1
1 1 0 1 | 0
1 1 1 0 | 0
1 1 1 1 | 0

```

**Properties***is\_evaluable*

Simulation model (verilog)

Listing 9.122: simcells.v

```

455 module \$_OAI4_ (A, B, C, D, Y);
456     input A, B, C, D;
457     output Y;
458     assign Y = ~((A | B) & (C | D));
459 endmodule

```

yosys&gt; help \$\_ORNOT\_

A 2-input OR-NOT gate.

```

Truth table:   A B | Y
               ----+----
                 0 0 | 1
                 0 1 | 0
                 1 0 | 1
                 1 1 | 1

```

**Properties***is\_evaluable*

Simulation model (verilog)

Listing 9.123: simcells.v

```

218 module \$_ORNOT_ (A, B, Y);
219     input A, B;
220     output Y;
221     assign Y = A | (~B);
222 endmodule

```

### 9.2.3 Flip-flop cells

The cell types `$_DFF_N_` and `$_DFF_P_` represent d-type flip-flops.

Table 9.6: Cell types for basic flip-flops

| Verilog                                    | Cell Type              |
|--------------------------------------------|------------------------|
| <code>always @(negedge C) Q &lt;= D</code> | <code>\$_DFF_N_</code> |
| <code>always @(posedge C) Q &lt;= D</code> | <code>\$_DFF_P_</code> |

The cell types `$_DFFE_[NP][NP]_` implement d-type flip-flops with enable. The values in the table for these cell types relate to the following Verilog code template.

```
always @(CLK_EDGE C)
  if (EN == EN_LVL)
    Q <= D;
```

Table 9.7: Cell types for gate level logic networks (FFs with enable)

| <i>ClkEdge</i> | <i>EnLvl</i> | Cell Type                |
|----------------|--------------|--------------------------|
| negedge        | 0            | <code>\$_DFFE_NN_</code> |
| negedge        | 1            | <code>\$_DFFE_NP_</code> |
| posedge        | 0            | <code>\$_DFFE_PN_</code> |
| posedge        | 1            | <code>\$_DFFE_PP_</code> |

The cell types `$_DFF_[NP][NP][01]_` implement d-type flip-flops with asynchronous reset. The values in the table for these cell types relate to the following Verilog code template, where `RST_EDGE` is `posedge` if `RST_LVL` if 1, and `negedge` otherwise.

```
always @(CLK_EDGE C, RST_EDGE R)
  if (R == RST_LVL)
    Q <= RST_VAL;
  else
    Q <= D;
```

The cell types `$_SDFF_[NP][NP][01]_` implement d-type flip-flops with synchronous reset. The values in the table for these cell types relate to the following Verilog code template:

```
always @(CLK_EDGE C)
  if (R == RST_LVL)
    Q <= RST_VAL;
  else
    Q <= D;
```

Table 9.8: Cell types for gate level logic networks (FFs with reset)

| <i>ClkEdge</i> | <i>RstLvl</i> | <i>RstVal</i> | Cell Type                                            |
|----------------|---------------|---------------|------------------------------------------------------|
| negedge        | 0             | 0             | <code>\$_DFF_NNO_</code> , <code>\$_SDFF_NNO_</code> |
| negedge        | 0             | 1             | <code>\$_DFF_NN1_</code> , <code>\$_SDFF_NN1_</code> |
| negedge        | 1             | 0             | <code>\$_DFF_NPO_</code> , <code>\$_SDFF_NPO_</code> |
| negedge        | 1             | 1             | <code>\$_DFF_NP1_</code> , <code>\$_SDFF_NP1_</code> |
| posedge        | 0             | 0             | <code>\$_DFF_PNO_</code> , <code>\$_SDFF_PNO_</code> |
| posedge        | 0             | 1             | <code>\$_DFF_PN1_</code> , <code>\$_SDFF_PN1_</code> |
| posedge        | 1             | 0             | <code>\$_DFF_PPO_</code> , <code>\$_SDFF_PPO_</code> |
| posedge        | 1             | 1             | <code>\$_DFF_PP1_</code> , <code>\$_SDFF_PP1_</code> |

The cell types `$_DFFE_[NP][NP][01][NP]_` implement d-type flip-flops with asynchronous reset and enable. The values in the table for these cell types relate to the following Verilog code template, where `RST_EDGE` is `posedge` if `RST_LVL` if 1, and `negedge` otherwise.

```
always @(CLK_EDGE C, RST_EDGE R)
  if (R == RST_LVL)
```

(continues on next page)

(continued from previous page)

```

Q <= RST_VAL;
else if (EN == EN_LVL)
Q <= D;

```

The cell types `$_SDFFE_[NP][NP][01][NP]_` implement d-type flip-flops with synchronous reset and enable, with reset having priority over enable. The values in the table for these cell types relate to the following Verilog code template:

```

always @(CLK_EDGE C)
  if (R == RST_LVL)
    Q <= RST_VAL;
  else if (EN == EN_LVL)
    Q <= D;

```

The cell types `$_SDFFCE_[NP][NP][01][NP]_` implement d-type flip-flops with synchronous reset and enable, with enable having priority over reset. The values in the table for these cell types relate to the following Verilog code template:

```

always @(CLK_EDGE C)
  if (EN == EN_LVL)
    if (R == RST_LVL)
      Q <= RST_VAL;
    else
      Q <= D;

```

Table 9.9: Cell types for gate level logic networks (FFs with reset and enable)

| <i>ClkEdge</i> | <i>RstLvl</i> | <i>RstVal</i> | <i>EnLvl</i> | Cell Type                                                                               |
|----------------|---------------|---------------|--------------|-----------------------------------------------------------------------------------------|
| negedge        | 0             | 0             | 0            | <code>\$_DFFE_NNON_</code> , <code>\$_SDFFE_NNON_</code> , <code>\$_SDFFCE_NNON_</code> |
| negedge        | 0             | 0             | 1            | <code>\$_DFFE_NNOP_</code> , <code>\$_SDFFE_NNOP_</code> , <code>\$_SDFFCE_NNOP_</code> |
| negedge        | 0             | 1             | 0            | <code>\$_DFFE_NN1N_</code> , <code>\$_SDFFE_NN1N_</code> , <code>\$_SDFFCE_NN1N_</code> |
| negedge        | 0             | 1             | 1            | <code>\$_DFFE_NN1P_</code> , <code>\$_SDFFE_NN1P_</code> , <code>\$_SDFFCE_NN1P_</code> |
| negedge        | 1             | 0             | 0            | <code>\$_DFFE_NPON_</code> , <code>\$_SDFFE_NPON_</code> , <code>\$_SDFFCE_NPON_</code> |
| negedge        | 1             | 0             | 1            | <code>\$_DFFE_NPOP_</code> , <code>\$_SDFFE_NPOP_</code> , <code>\$_SDFFCE_NPOP_</code> |
| negedge        | 1             | 1             | 0            | <code>\$_DFFE_NP1N_</code> , <code>\$_SDFFE_NP1N_</code> , <code>\$_SDFFCE_NP1N_</code> |
| negedge        | 1             | 1             | 1            | <code>\$_DFFE_NP1P_</code> , <code>\$_SDFFE_NP1P_</code> , <code>\$_SDFFCE_NP1P_</code> |
| posedge        | 0             | 0             | 0            | <code>\$_DFFE_PNON_</code> , <code>\$_SDFFE_PNON_</code> , <code>\$_SDFFCE_PNON_</code> |
| posedge        | 0             | 0             | 1            | <code>\$_DFFE_PNOP_</code> , <code>\$_SDFFE_PNOP_</code> , <code>\$_SDFFCE_PNOP_</code> |
| posedge        | 0             | 1             | 0            | <code>\$_DFFE_PN1N_</code> , <code>\$_SDFFE_PN1N_</code> , <code>\$_SDFFCE_PN1N_</code> |
| posedge        | 0             | 1             | 1            | <code>\$_DFFE_PN1P_</code> , <code>\$_SDFFE_PN1P_</code> , <code>\$_SDFFCE_PN1P_</code> |
| posedge        | 1             | 0             | 0            | <code>\$_DFFE_PPON_</code> , <code>\$_SDFFE_PPON_</code> , <code>\$_SDFFCE_PPON_</code> |
| posedge        | 1             | 0             | 1            | <code>\$_DFFE_PPOP_</code> , <code>\$_SDFFE_PPOP_</code> , <code>\$_SDFFCE_PPOP_</code> |
| posedge        | 1             | 1             | 0            | <code>\$_DFFE_PP1N_</code> , <code>\$_SDFFE_PP1N_</code> , <code>\$_SDFFCE_PP1N_</code> |
| posedge        | 1             | 1             | 1            | <code>\$_DFFE_PP1P_</code> , <code>\$_SDFFE_PP1P_</code> , <code>\$_SDFFCE_PP1P_</code> |

The cell types `$_DFFSR_[NP][NP][NP]_` implement d-type flip-flops with asynchronous set and reset. The values in the table for these cell types relate to the following Verilog code template, where `RST_EDGE` is `posedge` if `RST_LVL` is 1, `negedge` otherwise, and `SET_EDGE` is `posedge` if `SET_LVL` is 1, `negedge` otherwise.

When both set and reset are active, the state and output is undefined. The Verilog code model does not correspond to this due to limitations of synthesizable Verilog.

```

always @(CLK_EDGE C, RST_EDGE R, SET_EDGE S)
  if (R == RST_LVL)
    Q <= 0;
  else if (S == SET_LVL)
    Q <= 1;
  else
    Q <= D;

```

Table 9.10: Cell types for gate level logic networks (FFs with set and reset)

| <i>ClkEdge</i> | <i>SetLvl</i> | <i>RstLvl</i> | Cell Type                  |
|----------------|---------------|---------------|----------------------------|
| negedge        | 0             | 0             | <code>\$_DFFSR_MNN_</code> |
| negedge        | 0             | 1             | <code>\$_DFFSR_MNP_</code> |
| negedge        | 1             | 0             | <code>\$_DFFSR_NPN_</code> |
| negedge        | 1             | 1             | <code>\$_DFFSR_NPP_</code> |
| posedge        | 0             | 0             | <code>\$_DFFSR_PNN_</code> |
| posedge        | 0             | 1             | <code>\$_DFFSR_PNP_</code> |
| posedge        | 1             | 0             | <code>\$_DFFSR_PPN_</code> |
| posedge        | 1             | 1             | <code>\$_DFFSR_PPP_</code> |

The cell types `$_DFFSRE_[NP][NP][NP][NP]_` implement d-type flip-flops with asynchronous set and reset and enable. The values in the table for these cell types relate to the following Verilog code template, where `RST_EDGE` is `posedge` if `RST_LVL` if 1, `negedge` otherwise, and `SET_EDGE` is `posedge` if `SET_LVL` if 1, `negedge` otherwise.

When both set and reset are active, the state and output is undefined. The Verilog code model does not correspond to this due to limitations of synthesizable Verilog.


```

always @(CLK_EDGE C, RST_EDGE R, SET_EDGE S)
  if (R == RST_LVL)
    Q <= 0;
  else if (S == SET_LVL)
    Q <= 1;
  else if (E == EN_LVL)
    Q <= D;

```

Table 9.11: Cell types for gate level logic networks (FFs with set and reset and enable)

| <i>ClkEdge</i> | <i>SetLvl</i> | <i>RstLvl</i> | <i>EnLvl</i> | Cell Type              |
|----------------|---------------|---------------|--------------|------------------------|
| negedge        | 0             | 0             | 0            | <i>\$_DFFSRE_NNNN_</i> |
| negedge        | 0             | 0             | 1            | <i>\$_DFFSRE_NNNP_</i> |
| negedge        | 0             | 1             | 0            | <i>\$_DFFSRE_NNPN_</i> |
| negedge        | 0             | 1             | 1            | <i>\$_DFFSRE_NNPP_</i> |
| negedge        | 1             | 0             | 0            | <i>\$_DFFSRE_NPNN_</i> |
| negedge        | 1             | 0             | 1            | <i>\$_DFFSRE_NPNP_</i> |
| negedge        | 1             | 1             | 0            | <i>\$_DFFSRE_NPPN_</i> |
| negedge        | 1             | 1             | 1            | <i>\$_DFFSRE_NPPP_</i> |
| posedge        | 0             | 0             | 0            | <i>\$_DFFSRE_PNNN_</i> |
| posedge        | 0             | 0             | 1            | <i>\$_DFFSRE_PNNP_</i> |
| posedge        | 0             | 1             | 0            | <i>\$_DFFSRE_PNPN_</i> |
| posedge        | 0             | 1             | 1            | <i>\$_DFFSRE_PNPP_</i> |
| posedge        | 1             | 0             | 0            | <i>\$_DFFSRE_PPNN_</i> |
| posedge        | 1             | 0             | 1            | <i>\$_DFFSRE_PPNP_</i> |
| posedge        | 1             | 1             | 0            | <i>\$_DFFSRE_PPPN_</i> |
| posedge        | 1             | 1             | 1            | <i>\$_DFFSRE_PPPP_</i> |

 **Todo**flip-flops with async load, *\$\_ALDFFE?\_{NP}{2,3}\_*yosys> help *\$\_ALDFFE\_NNN\_*

A negative edge D-type flip-flop with negative polarity async load and negative polarity clock enable.

```
Truth table:  D C L AD E | Q
-----+-----
- - 0 a - | a
d \ - - 0 | d
- - - - - | q
```

Simulation model (verilog)

Listing 9.124: simcells.v

```
1420 module \$_ALDFFE_NNN_ (D, C, L, AD, E, Q);
1421     input D, C, L, AD, E;
1422     output reg Q;
1423     always @(negedge C or negedge L) begin
1424         if (L == 0)
1425             Q <= AD;
1426         else if (E == 0)
1427             Q <= D;
1428     end
1429 endmodule
```

yosys> help *\$\_ALDFFE\_NNP\_*

A negative edge D-type flip-flop with negative polarity async load and positive polarity clock enable.

```
Truth table:  D C L AD E | Q
              -----+----
              - - 0 a - | a
              d \ - - 1 | d
              - - - - - | q
```

Simulation model (verilog)

Listing 9.125: simcells.v

```
1445 module \$_ALDFFE_NNP_ (D, C, L, AD, E, Q);
1446     input D, C, L, AD, E;
1447     output reg Q;
1448     always @(negedge C or negedge L) begin
1449         if (L == 0)
1450             Q <= AD;
1451         else if (E == 1)
1452             Q <= D;
1453     end
1454 endmodule
```

yosys> help \$\_ALDFFE\_NPN\_

A negative edge D-type flip-flop with positive polarity async load and negative polarity clock enable.

```
Truth table:  D C L AD E | Q
              -----+----
              - - 1 a - | a
              d \ - - 0 | d
              - - - - - | q
```

Simulation model (verilog)

Listing 9.126: simcells.v

```
1470 module \$_ALDFFE_NPN_ (D, C, L, AD, E, Q);
1471     input D, C, L, AD, E;
1472     output reg Q;
1473     always @(negedge C or posedge L) begin
1474         if (L == 1)
1475             Q <= AD;
1476         else if (E == 0)
1477             Q <= D;
1478     end
1479 endmodule
```

yosys> help \$\_ALDFFE\_NPP\_

A negative edge D-type flip-flop with positive polarity async load and positive polarity clock enable.

```
Truth table:  D C L AD E | Q
              -----+----
              - - 1 a - | a
```

(continues on next page)

(continued from previous page)

```

d \ - - 1 | d
- - - - - | q

```

Simulation model (verilog)

Listing 9.127: simcells.v

```

1495 module \$_ALDFFE_NPP_ (D, C, L, AD, E, Q);
1496     input D, C, L, AD, E;
1497     output reg Q;
1498     always @(negedge C or posedge L) begin
1499         if (L == 1)
1500             Q <= AD;
1501         else if (E == 1)
1502             Q <= D;
1503     end
1504 endmodule

```

yosys&gt; help \$\_ALDFFE\_PNN\_

A positive edge D-type flip-flop with negative polarity async load and negative polarity clock enable.

```

Truth table:   D C L AD E | Q
               -----+----
               - - 0 a - | a
               d / - - 0 | d
               - - - - - | q

```

Simulation model (verilog)

Listing 9.128: simcells.v

```

1520 module \$_ALDFFE_PNN_ (D, C, L, AD, E, Q);
1521     input D, C, L, AD, E;
1522     output reg Q;
1523     always @(posedge C or negedge L) begin
1524         if (L == 0)
1525             Q <= AD;
1526         else if (E == 0)
1527             Q <= D;
1528     end
1529 endmodule

```

yosys&gt; help \$\_ALDFFE\_PNP\_

A positive edge D-type flip-flop with negative polarity async load and positive polarity clock enable.

```

Truth table:   D C L AD E | Q
               -----+----
               - - 0 a - | a
               d / - - 1 | d
               - - - - - | q

```

Simulation model (verilog)

Listing 9.129: simcells.v

```

1545 module \$_ALDFFE_PNP_ (D, C, L, AD, E, Q);
1546     input D, C, L, AD, E;
1547     output reg Q;
1548     always @(posedge C or negedge L) begin
1549         if (L == 0)
1550             Q <= AD;
1551         else if (E == 1)
1552             Q <= D;
1553     end
1554 endmodule

```

yosys> help \$\_ALDFFE\_PPN\_

A positive edge D-type flip-flop with positive polarity async load and negative polarity clock enable.

```

Truth table:   D C L AD E | Q
-----+-----
- - 1 a - | a
d / - - 0 | d
- - - - - | q

```

Simulation model (verilog)

Listing 9.130: simcells.v

```

1570 module \$_ALDFFE_PPN_ (D, C, L, AD, E, Q);
1571     input D, C, L, AD, E;
1572     output reg Q;
1573     always @(posedge C or posedge L) begin
1574         if (L == 1)
1575             Q <= AD;
1576         else if (E == 0)
1577             Q <= D;
1578     end
1579 endmodule

```

yosys> help \$\_ALDFFE\_PPP\_

A positive edge D-type flip-flop with positive polarity async load and positive polarity clock enable.

```

Truth table:   D C L AD E | Q
-----+-----
- - 1 a - | a
d / - - 1 | d
- - - - - | q

```

Simulation model (verilog)

Listing 9.131: simcells.v

```

1595 module \$_ALDFFE_PPP_ (D, C, L, AD, E, Q);
1596     input D, C, L, AD, E;
1597     output reg Q;

```

(continues on next page)

(continued from previous page)

```

1598     always @(posedge C or posedge L) begin
1599         if (L == 1)
1600             Q <= AD;
1601         else if (E == 1)
1602             Q <= D;
1603     end
1604 endmodule

```

yosys> help \$\_ALDFF\_NN\_

A negative edge D-type flip-flop with negative polarity async load.

```

Truth table:   D C L AD | Q
               -----+----
               - - 0 a | a
               d \ - - | d
               - - - - | q

```

Simulation model (verilog)

Listing 9.132: simcells.v

```

1323 module \$_ALDFF_NN_ (D, C, L, AD, Q);
1324     input D, C, L, AD;
1325     output reg Q;
1326     always @(negedge C or negedge L) begin
1327         if (L == 0)
1328             Q <= AD;
1329         else
1330             Q <= D;
1331     end
1332 endmodule

```

yosys> help \$\_ALDFF\_NP\_

A negative edge D-type flip-flop with positive polarity async load.

```

Truth table:   D C L AD | Q
               -----+----
               - - 1 a | a
               d \ - - | d
               - - - - | q

```

Simulation model (verilog)

Listing 9.133: simcells.v

```

1347 module \$_ALDFF_NP_ (D, C, L, AD, Q);
1348     input D, C, L, AD;
1349     output reg Q;
1350     always @(negedge C or posedge L) begin
1351         if (L == 1)
1352             Q <= AD;
1353         else

```

(continues on next page)

(continued from previous page)

```

1354         Q <= D;
1355     end
1356 endmodule

```

```
yosys> help $_ALDFF_PN_
```

A positive edge D-type flip-flop with negative polarity async load.

```

Truth table:   D C L AD | Q
-----+-----
              - - 0 a | a
              d / - - | d
              - - - - | q

```

Simulation model (verilog)

Listing 9.134: simcells.v

```

1371 module \$_ALDFF_PN_ (D, C, L, AD, Q);
1372     input D, C, L, AD;
1373     output reg Q;
1374     always @(posedge C or negedge L) begin
1375         if (L == 0)
1376             Q <= AD;
1377         else
1378             Q <= D;
1379     end
1380 endmodule

```

```
yosys> help $_ALDFF_PP_
```

A positive edge D-type flip-flop with positive polarity async load.

```

Truth table:   D C L AD | Q
-----+-----
              - - 1 a | a
              d / - - | d
              - - - - | q

```

Simulation model (verilog)

Listing 9.135: simcells.v

```

1395 module \$_ALDFF_PP_ (D, C, L, AD, Q);
1396     input D, C, L, AD;
1397     output reg Q;
1398     always @(posedge C or posedge L) begin
1399         if (L == 1)
1400             Q <= AD;
1401         else
1402             Q <= D;
1403     end
1404 endmodule

```

yosys> help \$\_DFFE\_NNON\_

A negative edge D-type flip-flop with negative polarity reset and negative polarity clock enable.

```
Truth table:   D C R E | Q
               +-----+
               - - 0 - | 0
               d \ - 0 | d
               - - - - | q
```

Simulation model (verilog)

Listing 9.136: simcells.v

```
924 module \$_DFFE_NNON_ (D, C, R, E, Q);
925     input D, C, R, E;
926     output reg Q;
927     always @(negedge C or negedge R) begin
928         if (R == 0)
929             Q <= 0;
930         else if (E == 0)
931             Q <= D;
932     end
933 endmodule
```

yosys> help \$\_DFFE\_NNOP\_

A negative edge D-type flip-flop with negative polarity reset and positive polarity clock enable.

```
Truth table:   D C R E | Q
               +-----+
               - - 0 - | 0
               d \ - 1 | d
               - - - - | q
```

Simulation model (verilog)

Listing 9.137: simcells.v

```
949 module \$_DFFE_NNOP_ (D, C, R, E, Q);
950     input D, C, R, E;
951     output reg Q;
952     always @(negedge C or negedge R) begin
953         if (R == 0)
954             Q <= 0;
955         else if (E == 1)
956             Q <= D;
957     end
958 endmodule
```

yosys> help \$\_DFFE\_NN1N\_

A negative edge D-type flip-flop with negative polarity set and negative polarity clock enable.

```
Truth table:   D C R E | Q
               +-----+
               - - - - | q
```

(continues on next page)

(continued from previous page)

```

- - 0 - | 1
d \ - 0 | d
- - - - | q

```

Simulation model (verilog)

Listing 9.138: simcells.v

```

974 module \$_DFFE_NN1N_ (D, C, R, E, Q);
975     input D, C, R, E;
976     output reg Q;
977     always @(negedge C or negedge R) begin
978         if (R == 0)
979             Q <= 1;
980         else if (E == 0)
981             Q <= D;
982     end
983 endmodule

```

yosys&gt; help \$\_DFFE\_NN1P\_

A negative edge D-type flip-flop with negative polarity set and positive polarity clock enable.

```

Truth table:   D C R E | Q
               +-----+
               - - 0 - | 1
               d \ - 1 | d
               - - - - | q

```

Simulation model (verilog)

Listing 9.139: simcells.v

```

999 module \$_DFFE_NN1P_ (D, C, R, E, Q);
1000     input D, C, R, E;
1001     output reg Q;
1002     always @(negedge C or negedge R) begin
1003         if (R == 0)
1004             Q <= 1;
1005         else if (E == 1)
1006             Q <= D;
1007     end
1008 endmodule

```

yosys&gt; help \$\_DFFE\_NN\_

A negative edge D-type flip-flop with negative polarity enable.

```

Truth table:   D C E | Q
               +-----+
               d \ 0 | d
               - - - | q

```

Simulation model (verilog)

Listing 9.140: simcells.v

```

650 module \$_DFFE_NN_ (D, C, E, Q);
651     input D, C, E;
652     output reg Q;
653     always @(negedge C) begin
654         if (!E) Q <= D;
655     end
656 endmodule

```

yosys> help \$\_DFFE\_NPON\_

A negative edge D-type flip-flop with positive polarity reset and negative polarity clock enable.

```

Truth table:   D C R E | Q
               -----+----
               - - 1 - | 0
               d \ - 0 | d
               - - - - | q

```

Simulation model (verilog)

Listing 9.141: simcells.v

```

1024 module \$_DFFE_NPON_ (D, C, R, E, Q);
1025     input D, C, R, E;
1026     output reg Q;
1027     always @(negedge C or posedge R) begin
1028         if (R == 1)
1029             Q <= 0;
1030         else if (E == 0)
1031             Q <= D;
1032     end
1033 endmodule

```

yosys> help \$\_DFFE\_NPOP\_

A negative edge D-type flip-flop with positive polarity reset and positive polarity clock enable.

```

Truth table:   D C R E | Q
               -----+----
               - - 1 - | 0
               d \ - 1 | d
               - - - - | q

```

Simulation model (verilog)

Listing 9.142: simcells.v

```

1049 module \$_DFFE_NPOP_ (D, C, R, E, Q);
1050     input D, C, R, E;
1051     output reg Q;
1052     always @(negedge C or posedge R) begin
1053         if (R == 1)
1054             Q <= 0;

```

(continues on next page)

(continued from previous page)

```

1055     else if (E == 1)
1056         Q <= D;
1057     end
1058 endmodule

```

yosys> help \$\_DFFE\_NP1N\_

A negative edge D-type flip-flop with positive polarity set and negative polarity clock enable.

```

Truth table:   D C R E | Q
               - - - - + - -
               - - 1 - | 1
               d \ - 0 | d
               - - - - | q

```

Simulation model (verilog)

Listing 9.143: simcells.v

```

1074 module \$_DFFE_NP1N_ (D, C, R, E, Q);
1075     input D, C, R, E;
1076     output reg Q;
1077     always @(negedge C or posedge R) begin
1078         if (R == 1)
1079             Q <= 1;
1080         else if (E == 0)
1081             Q <= D;
1082     end
1083 endmodule

```

yosys> help \$\_DFFE\_NP1P\_

A negative edge D-type flip-flop with positive polarity set and positive polarity clock enable.

```

Truth table:   D C R E | Q
               - - - - + - -
               - - 1 - | 1
               d \ - 1 | d
               - - - - | q

```

Simulation model (verilog)

Listing 9.144: simcells.v

```

1099 module \$_DFFE_NP1P_ (D, C, R, E, Q);
1100     input D, C, R, E;
1101     output reg Q;
1102     always @(negedge C or posedge R) begin
1103         if (R == 1)
1104             Q <= 1;
1105         else if (E == 1)
1106             Q <= D;
1107     end
1108 endmodule

```

yosys> help \$\_DFFE\_NP\_

A negative edge D-type flip-flop with positive polarity enable.

```
Truth table:   D C E | Q
               -----+---
                d \ 1 | d
                - - - | q
```

Simulation model (verilog)

Listing 9.145: simcells.v

```
670 module \$_DFFE_NP_ (D, C, E, Q);
671     input D, C, E;
672     output reg Q;
673     always @(negedge C) begin
674         if (E) Q <= D;
675     end
676 endmodule
```

yosys> help \$\_DFFE\_PNON\_

A positive edge D-type flip-flop with negative polarity reset and negative polarity clock enable.

```
Truth table:   D C R E | Q
               -----+---
                - - 0 - | 0
                d / - 0 | d
                - - - - | q
```

Simulation model (verilog)

Listing 9.146: simcells.v

```
1124 module \$_DFFE_PNON_ (D, C, R, E, Q);
1125     input D, C, R, E;
1126     output reg Q;
1127     always @(posedge C or negedge R) begin
1128         if (R == 0)
1129             Q <= 0;
1130         else if (E == 0)
1131             Q <= D;
1132     end
1133 endmodule
```

yosys> help \$\_DFFE\_PNOP\_

A positive edge D-type flip-flop with negative polarity reset and positive polarity clock enable.

```
Truth table:   D C R E | Q
               -----+---
                - - 0 - | 0
                d / - 1 | d
                - - - - | q
```

Simulation model (verilog)

Listing 9.147: simcells.v

```

1149 module \$_DFFE_PNOP_ (D, C, R, E, Q);
1150     input D, C, R, E;
1151     output reg Q;
1152     always @(posedge C or negedge R) begin
1153         if (R == 0)
1154             Q <= 0;
1155         else if (E == 1)
1156             Q <= D;
1157     end
1158 endmodule

```

yosys> help \$\_DFFE\_PN1N\_

A positive edge D-type flip-flop with negative polarity set and negative polarity clock enable.

```

Truth table:   D C R E | Q
-----+-----
- - 0 - | 1
d / - 0 | d
- - - - | q

```

Simulation model (verilog)

Listing 9.148: simcells.v

```

1174 module \$_DFFE_PN1N_ (D, C, R, E, Q);
1175     input D, C, R, E;
1176     output reg Q;
1177     always @(posedge C or negedge R) begin
1178         if (R == 0)
1179             Q <= 1;
1180         else if (E == 0)
1181             Q <= D;
1182     end
1183 endmodule

```

yosys> help \$\_DFFE\_PN1P\_

A positive edge D-type flip-flop with negative polarity set and positive polarity clock enable.

```

Truth table:   D C R E | Q
-----+-----
- - 0 - | 1
d / - 1 | d
- - - - | q

```

Simulation model (verilog)

Listing 9.149: simcells.v

```

1199 module \$_DFFE_PN1P_ (D, C, R, E, Q);
1200     input D, C, R, E;
1201     output reg Q;

```

(continues on next page)

(continued from previous page)

```

1202     always @(posedge C or negedge R) begin
1203         if (R == 0)
1204             Q <= 1;
1205         else if (E == 1)
1206             Q <= D;
1207     end
1208 endmodule

```

yosys> help \$\_DFFE\_PN\_

A positive edge D-type flip-flop with negative polarity enable.

```

Truth table:   D C E | Q
               -----+---
               d / 0 | d
               - - - | q

```

Simulation model (verilog)

Listing 9.150: simcells.v

```

690 module \$_DFFE_PN_ (D, C, E, Q);
691     input D, C, E;
692     output reg Q;
693     always @(posedge C) begin
694         if (!E) Q <= D;
695     end
696 endmodule

```

yosys> help \$\_DFFE\_PPON\_

A positive edge D-type flip-flop with positive polarity reset and negative polarity clock enable.

```

Truth table:   D C R E | Q
               -----+---
               - - 1 - | 0
               d / - 0 | d
               - - - - | q

```

Simulation model (verilog)

Listing 9.151: simcells.v

```

1224 module \$_DFFE_PPON_ (D, C, R, E, Q);
1225     input D, C, R, E;
1226     output reg Q;
1227     always @(posedge C or posedge R) begin
1228         if (R == 1)
1229             Q <= 0;
1230         else if (E == 0)
1231             Q <= D;
1232     end
1233 endmodule

```

```
yosys> help $_DFFE_PPOP_
```

A positive edge D-type flip-flop with positive polarity reset and positive polarity clock enable.

```
Truth table:   D C R E | Q
               +-----+
               - - 1 - | 0
               d / - 1 | d
               - - - - | q
```

Simulation model (verilog)

Listing 9.152: simcells.v

```
1249 module \$_DFFE_PPOP_ (D, C, R, E, Q);
1250     input D, C, R, E;
1251     output reg Q;
1252     always @(posedge C or posedge R) begin
1253         if (R == 1)
1254             Q <= 0;
1255         else if (E == 1)
1256             Q <= D;
1257     end
1258 endmodule
```

```
yosys> help $_DFFE_PP1N_
```

A positive edge D-type flip-flop with positive polarity set and negative polarity clock enable.

```
Truth table:   D C R E | Q
               +-----+
               - - 1 - | 1
               d / - 0 | d
               - - - - | q
```

Simulation model (verilog)

Listing 9.153: simcells.v

```
1274 module \$_DFFE_PP1N_ (D, C, R, E, Q);
1275     input D, C, R, E;
1276     output reg Q;
1277     always @(posedge C or posedge R) begin
1278         if (R == 1)
1279             Q <= 1;
1280         else if (E == 0)
1281             Q <= D;
1282     end
1283 endmodule
```

```
yosys> help $_DFFE_PP1P_
```

A positive edge D-type flip-flop with positive polarity set and positive polarity clock enable.

```
Truth table:   D C R E | Q
               +-----+
               - - 1 - | 1
```

(continues on next page)

(continued from previous page)

```

- - 1 - | 1
d / - 1 | d
- - - - | q

```

Simulation model (verilog)

Listing 9.154: simcells.v

```

1299 module \$_DFFE_PP1P_ (D, C, R, E, Q);
1300     input D, C, R, E;
1301     output reg Q;
1302     always @(posedge C or posedge R) begin
1303         if (R == 1)
1304             Q <= 1;
1305         else if (E == 1)
1306             Q <= D;
1307     end
1308 endmodule

```

yosys&gt; help \$\_DFFE\_PP\_

A positive edge D-type flip-flop with positive polarity enable.

```

Truth table:   D C E | Q
-----+----
              d / 1 | d
              - - - | q

```

Simulation model (verilog)

Listing 9.155: simcells.v

```

710 module \$_DFFE_PP_ (D, C, E, Q);
711     input D, C, E;
712     output reg Q;
713     always @(posedge C) begin
714         if (E) Q <= D;
715     end
716 endmodule

```

yosys&gt; help \$\_DFFSRE\_NNNN\_

A negative edge D-type flip-flop with negative polarity set, negative polarity reset and negative polarity clock enable.

```

Truth table:   C S R E D | Q
-----+----
              - 0 0 - - | x
              - - 0 - - | 0
              - 0 - - - | 1
              \ - - 0 d | d
              - - - - - | q

```

Simulation model (verilog)

Listing 9.156: simcells.v

```

1854 module \$_DFFSRE_NNNN_ (C, S, R, E, D, Q);
1855     input C, S, R, E, D;
1856     output reg Q;
1857     always @(negedge C, negedge S, negedge R) begin
1858         if (R == 0)
1859             Q <= 0;
1860         else if (S == 0)
1861             Q <= 1;
1862         else if (E == 0)
1863             Q <= D;
1864     end
1865 endmodule

```

yosys> help \$\_DFFSRE\_NNNP\_

A negative edge D-type flip-flop with negative polarity set, negative polarity reset and positive polarity clock enable.

```

Truth table:   C S R E D | Q
               +-----+
               - 0 0 - - | x
               - - 0 - - | 0
               - 0 - - - | 1
               \ - - 1 d | d
               - - - - - | q

```

Simulation model (verilog)

Listing 9.157: simcells.v

```

1883 module \$_DFFSRE_NNNP_ (C, S, R, E, D, Q);
1884     input C, S, R, E, D;
1885     output reg Q;
1886     always @(negedge C, negedge S, negedge R) begin
1887         if (R == 0)
1888             Q <= 0;
1889         else if (S == 0)
1890             Q <= 1;
1891         else if (E == 1)
1892             Q <= D;
1893     end
1894 endmodule

```

yosys> help \$\_DFFSRE\_NNPN\_

A negative edge D-type flip-flop with negative polarity set, positive polarity reset and negative polarity clock enable.

```

Truth table:   C S R E D | Q
               +-----+
               - 0 1 - - | x
               - - 1 - - | 0
               - 0 - - - | 1

```

(continues on next page)

(continued from previous page)

```

\ - - 0 d | d
- - - - - | q

```

Simulation model (verilog)

Listing 9.158: simcells.v

```

1912 module \$_DFFSRE_NNPN_ (C, S, R, E, D, Q);
1913     input C, S, R, E, D;
1914     output reg Q;
1915     always @(negedge C, negedge S, posedge R) begin
1916         if (R == 1)
1917             Q <= 0;
1918         else if (S == 0)
1919             Q <= 1;
1920         else if (E == 0)
1921             Q <= D;
1922     end
1923 endmodule

```

yosys&gt; help \$\_DFFSRE\_NNPP\_

A negative edge D-type flip-flop with negative polarity set, positive polarity reset and positive polarity clock enable.

```

Truth table:   C S R E D | Q
               +-----+
               - 0 1 - - | x
               - - 1 - - | 0
               - 0 - - - | 1
               \ - - 1 d | d
               - - - - - | q

```

Simulation model (verilog)

Listing 9.159: simcells.v

```

1941 module \$_DFFSRE_NNPP_ (C, S, R, E, D, Q);
1942     input C, S, R, E, D;
1943     output reg Q;
1944     always @(negedge C, negedge S, posedge R) begin
1945         if (R == 1)
1946             Q <= 0;
1947         else if (S == 0)
1948             Q <= 1;
1949         else if (E == 1)
1950             Q <= D;
1951     end
1952 endmodule

```

yosys&gt; help \$\_DFFSRE\_NPNN\_

A negative edge D-type flip-flop with positive polarity set, negative polarity reset and negative polarity clock enable.

```

Truth table:   C S R E D | Q
               +-----+
               - 1 0 - - | x
               - - 0 - - | 0
               - 1 - - - | 1
               \ - - 0 d | d
               - - - - - | q

```

Simulation model (verilog)

Listing 9.160: simcells.v

```

1970 module \$_DFFSRE_NPNN_ (C, S, R, E, D, Q);
1971     input C, S, R, E, D;
1972     output reg Q;
1973     always @(negedge C, posedge S, negedge R) begin
1974         if (R == 0)
1975             Q <= 0;
1976         else if (S == 1)
1977             Q <= 1;
1978         else if (E == 0)
1979             Q <= D;
1980     end
1981 endmodule

```

yosys> help \$\_DFFSRE\_NPNP\_

A negative edge D-type flip-flop with positive polarity set, negative polarity reset and positive polarity clock enable.

```

Truth table:   C S R E D | Q
               +-----+
               - 1 0 - - | x
               - - 0 - - | 0
               - 1 - - - | 1
               \ - - 1 d | d
               - - - - - | q

```

Simulation model (verilog)

Listing 9.161: simcells.v

```

1999 module \$_DFFSRE_NPNP_ (C, S, R, E, D, Q);
2000     input C, S, R, E, D;
2001     output reg Q;
2002     always @(negedge C, posedge S, negedge R) begin
2003         if (R == 0)
2004             Q <= 0;
2005         else if (S == 1)
2006             Q <= 1;
2007         else if (E == 1)
2008             Q <= D;
2009     end
2010 endmodule

```

yosys> help \$\_DFFSRE\_NPPN\_

A negative edge D-type flip-flop with positive polarity set, positive polarity reset and negative polarity clock enable.

| Truth table: | C | S | R | E | D | Q |
|--------------|---|---|---|---|---|---|
|              | - | 1 | 1 | - | - | x |
|              | - | - | 1 | - | - | 0 |
|              | - | 1 | - | - | - | 1 |
|              | \ | - | - | 0 | d | d |
|              | - | - | - | - | - | q |

Simulation model (verilog)

Listing 9.162: simcells.v

```

2028 module \$_DFFSRE_NPPN_ (C, S, R, E, D, Q);
2029     input C, S, R, E, D;
2030     output reg Q;
2031     always @(negedge C, posedge S, posedge R) begin
2032         if (R == 1)
2033             Q <= 0;
2034         else if (S == 1)
2035             Q <= 1;
2036         else if (E == 0)
2037             Q <= D;
2038     end
2039 endmodule

```

yosys> help \$\_DFFSRE\_NPPP\_

A negative edge D-type flip-flop with positive polarity set, positive polarity reset and positive polarity clock enable.

| Truth table: | C | S | R | E | D | Q |
|--------------|---|---|---|---|---|---|
|              | - | 1 | 1 | - | - | x |
|              | - | - | 1 | - | - | 0 |
|              | - | 1 | - | - | - | 1 |
|              | \ | - | - | 1 | d | d |
|              | - | - | - | - | - | q |

Simulation model (verilog)

Listing 9.163: simcells.v

```

2057 module \$_DFFSRE_NPPP_ (C, S, R, E, D, Q);
2058     input C, S, R, E, D;
2059     output reg Q;
2060     always @(negedge C, posedge S, posedge R) begin
2061         if (R == 1)
2062             Q <= 0;
2063         else if (S == 1)
2064             Q <= 1;

```

(continues on next page)

(continued from previous page)

```

2065         else if (E == 1)
2066             Q <= D;
2067     end
2068 endmodule

```

yosys> help \$\_DFFSRE\_PNNN\_

A positive edge D-type flip-flop with negative polarity set, negative polarity reset and negative polarity clock enable.

```

Truth table:   C S R E D | Q
-----+-----
- 0 0 - - | x
- - 0 - - | 0
- 0 - - - | 1
/ - - 0 d | d
- - - - - | q

```

Simulation model (verilog)

Listing 9.164: simcells.v

```

2086 module \$_DFFSRE_PNNN_ (C, S, R, E, D, Q);
2087     input C, S, R, E, D;
2088     output reg Q;
2089     always @(posedge C, negedge S, negedge R) begin
2090         if (R == 0)
2091             Q <= 0;
2092         else if (S == 0)
2093             Q <= 1;
2094         else if (E == 0)
2095             Q <= D;
2096     end
2097 endmodule

```

yosys> help \$\_DFFSRE\_PNNP\_

A positive edge D-type flip-flop with negative polarity set, negative polarity reset and positive polarity clock enable.

```

Truth table:   C S R E D | Q
-----+-----
- 0 0 - - | x
- - 0 - - | 0
- 0 - - - | 1
/ - - 1 d | d
- - - - - | q

```

Simulation model (verilog)

Listing 9.165: simcells.v

```

2115 module \$_DFFSRE_PNNP_ (C, S, R, E, D, Q);
2116     input C, S, R, E, D;

```

(continues on next page)

(continued from previous page)

```

2117     output reg Q;
2118     always @(posedge C, negedge S, negedge R) begin
2119         if (R == 0)
2120             Q <= 0;
2121         else if (S == 0)
2122             Q <= 1;
2123         else if (E == 1)
2124             Q <= D;
2125     end
2126 endmodule

```

yosys> help \$\_DFFSRE\_PNPN\_

A positive edge D-type flip-flop with negative polarity set, positive polarity reset and negative polarity clock enable.

| Truth table: | C | S | R | E | D | Q |
|--------------|---|---|---|---|---|---|
|              | - | 0 | 1 | - | - | x |
|              | - | - | 1 | - | - | 0 |
|              | - | 0 | - | - | - | 1 |
|              | / | - | - | 0 | d | d |
|              | - | - | - | - | - | q |

Simulation model (verilog)

Listing 9.166: simcells.v

```

2144 module \$_DFFSRE_PNPN_ (C, S, R, E, D, Q);
2145     input C, S, R, E, D;
2146     output reg Q;
2147     always @(posedge C, negedge S, posedge R) begin
2148         if (R == 1)
2149             Q <= 0;
2150         else if (S == 0)
2151             Q <= 1;
2152         else if (E == 0)
2153             Q <= D;
2154     end
2155 endmodule

```

yosys> help \$\_DFFSRE\_PNPP\_

A positive edge D-type flip-flop with negative polarity set, positive polarity reset and positive polarity clock enable.

| Truth table: | C | S | R | E | D | Q |
|--------------|---|---|---|---|---|---|
|              | - | 0 | 1 | - | - | x |
|              | - | - | 1 | - | - | 0 |
|              | - | 0 | - | - | - | 1 |
|              | / | - | - | 1 | d | d |
|              | - | - | - | - | - | q |

Simulation model (verilog)

Listing 9.167: simcells.v

```

2173 module \$_DFFSRE_PNPP_ (C, S, R, E, D, Q);
2174     input C, S, R, E, D;
2175     output reg Q;
2176     always @(posedge C, negedge S, posedge R) begin
2177         if (R == 1)
2178             Q <= 0;
2179         else if (S == 0)
2180             Q <= 1;
2181         else if (E == 1)
2182             Q <= D;
2183     end
2184 endmodule

```

yosys> help \$\_DFFSRE\_PPNN\_

A positive edge D-type flip-flop with positive polarity set, negative polarity reset and negative polarity clock enable.

```

Truth table:   C S R E D | Q
-----+-----
- 1 0 - - | x
- - 0 - - | 0
- 1 - - - | 1
/ - - 0 d | d
- - - - - | q

```

Simulation model (verilog)

Listing 9.168: simcells.v

```

2202 module \$_DFFSRE_PPNN_ (C, S, R, E, D, Q);
2203     input C, S, R, E, D;
2204     output reg Q;
2205     always @(posedge C, posedge S, negedge R) begin
2206         if (R == 0)
2207             Q <= 0;
2208         else if (S == 1)
2209             Q <= 1;
2210         else if (E == 0)
2211             Q <= D;
2212     end
2213 endmodule

```

yosys> help \$\_DFFSRE\_PPNP\_

A positive edge D-type flip-flop with positive polarity set, negative polarity reset and positive polarity clock enable.

```

Truth table:   C S R E D | Q
-----+-----
- 1 0 - - | x
- - 0 - - | 0
- 1 - - - | 1

```

(continues on next page)

(continued from previous page)

```

/ - - 1 d | d
- - - - - | q

```

Simulation model (verilog)

Listing 9.169: simcells.v

```

2231 module \$_DFFSRE_PPNP_ (C, S, R, E, D, Q);
2232     input C, S, R, E, D;
2233     output reg Q;
2234     always @(posedge C, posedge S, negedge R) begin
2235         if (R == 0)
2236             Q <= 0;
2237         else if (S == 1)
2238             Q <= 1;
2239         else if (E == 1)
2240             Q <= D;
2241     end
2242 endmodule

```

yosys&gt; help \$\_DFFSRE\_PPNP\_

A positive edge D-type flip-flop with positive polarity set, positive polarity reset and negative polarity clock enable.

```

Truth table:   C S R E D | Q
-----+-----
- 1 1 - - | x
- - 1 - - | 0
- 1 - - - | 1
/ - - 0 d | d
- - - - - | q

```

Simulation model (verilog)

Listing 9.170: simcells.v

```

2260 module \$_DFFSRE_PPPN_ (C, S, R, E, D, Q);
2261     input C, S, R, E, D;
2262     output reg Q;
2263     always @(posedge C, posedge S, posedge R) begin
2264         if (R == 1)
2265             Q <= 0;
2266         else if (S == 1)
2267             Q <= 1;
2268         else if (E == 0)
2269             Q <= D;
2270     end
2271 endmodule

```

yosys&gt; help \$\_DFFSRE\_PPPP\_

A positive edge D-type flip-flop with positive polarity set, positive polarity reset and positive polarity clock enable.

```

Truth table:   C S R E D | Q
               -----+---
               - 1 1 - - | x
               - - 1 - - | 0
               - 1 - - - | 1
               / - - 1 d | d
               - - - - - | q

```

Simulation model (verilog)

Listing 9.171: simcells.v

```

2289 module \$_DFFSRE_PPPP_ (C, S, R, E, D, Q);
2290     input C, S, R, E, D;
2291     output reg Q;
2292     always @(posedge C, posedge S, posedge R) begin
2293         if (R == 1)
2294             Q <= 0;
2295         else if (S == 1)
2296             Q <= 1;
2297         else if (E == 1)
2298             Q <= D;
2299     end
2300 endmodule

```

yosys> help \$\_DFFSR\_NNN\_

A negative edge D-type flip-flop with negative polarity set and negative polarity reset.

```

Truth table:   C S R D | Q
               -----+---
               - 0 0 - | x
               - - 0 - | 0
               - 0 - - | 1
               \ - - d | d
               - - - - | q

```

Simulation model (verilog)

Listing 9.172: simcells.v

```

1622 module \$_DFFSR_NNN_ (C, S, R, D, Q);
1623     input C, S, R, D;
1624     output reg Q;
1625     always @(negedge C, negedge S, negedge R) begin
1626         if (R == 0)
1627             Q <= 0;
1628         else if (S == 0)
1629             Q <= 1;
1630         else
1631             Q <= D;
1632     end
1633 endmodule

```

yosys> help \$\_DFFSR\_NNP\_

A negative edge D-type flip-flop with negative polarity set and positive polarity reset.

| Truth table: | C | S | R | D | Q |
|--------------|---|---|---|---|---|
|              | - | 0 | 1 | - | x |
|              | - | - | 1 | - | 0 |
|              | - | 0 | - | - | 1 |
|              | \ | - | - | d | d |
|              | - | - | - | - | q |

Simulation model (verilog)

Listing 9.173: simcells.v

```

1651 module \$_DFFSR_NNP_ (C, S, R, D, Q);
1652     input C, S, R, D;
1653     output reg Q;
1654     always @(negedge C, negedge S, posedge R) begin
1655         if (R == 1)
1656             Q <= 0;
1657         else if (S == 0)
1658             Q <= 1;
1659         else
1660             Q <= D;
1661     end
1662 endmodule

```

yosys> help \$\_DFFSR\_NPN\_

A negative edge D-type flip-flop with positive polarity set and negative polarity reset.

| Truth table: | C | S | R | D | Q |
|--------------|---|---|---|---|---|
|              | - | 1 | 0 | - | x |
|              | - | - | 0 | - | 0 |
|              | - | 1 | - | - | 1 |
|              | \ | - | - | d | d |
|              | - | - | - | - | q |

Simulation model (verilog)

Listing 9.174: simcells.v

```

1680 module \$_DFFSR_NPN_ (C, S, R, D, Q);
1681     input C, S, R, D;
1682     output reg Q;
1683     always @(negedge C, posedge S, negedge R) begin
1684         if (R == 0)
1685             Q <= 0;
1686         else if (S == 1)
1687             Q <= 1;
1688         else
1689             Q <= D;

```

(continues on next page)

(continued from previous page)

```

1690     end
1691 endmodule

```

```
yosys> help $_DFFSR_NPP_
```

A negative edge D-type flip-flop with positive polarity set and positive polarity reset.

```

Truth table:   C S R D | Q
               - - - - + - -
               - 1 1 - | x
               - - 1 - | 0
               - 1 - - | 1
               \ - - d | d
               - - - - | q

```

Simulation model (verilog)

Listing 9.175: simcells.v

```

1709 module \$_DFFSR_NPP_ (C, S, R, D, Q);
1710     input C, S, R, D;
1711     output reg Q;
1712     always @(negedge C, posedge S, posedge R) begin
1713         if (R == 1)
1714             Q <= 0;
1715         else if (S == 1)
1716             Q <= 1;
1717         else
1718             Q <= D;
1719     end
1720 endmodule

```

```
yosys> help $_DFFSR_PNN_
```

A positive edge D-type flip-flop with negative polarity set and negative polarity reset.

```

Truth table:   C S R D | Q
               - - - - + - -
               - 0 0 - | x
               - - 0 - | 0
               - 0 - - | 1
               / - - d | d
               - - - - | q

```

Simulation model (verilog)

Listing 9.176: simcells.v

```

1738 module \$_DFFSR_PNN_ (C, S, R, D, Q);
1739     input C, S, R, D;
1740     output reg Q;
1741     always @(posedge C, negedge S, negedge R) begin
1742         if (R == 0)
1743             Q <= 0;

```

(continues on next page)

(continued from previous page)

```

1744     else if (S == 0)
1745         Q <= 1;
1746     else
1747         Q <= D;
1748     end
1749 endmodule

```

yosys> help \$\_DFFSR\_PNP\_

A positive edge D-type flip-flop with negative polarity set and positive polarity reset.

```

Truth table:   C S R D | Q
-----+----
- 0 1 - | x
- - 1 - | 0
- 0 - - | 1
/ - - d | d
- - - - | q

```

Simulation model (verilog)

Listing 9.177: simcells.v

```

1767 module \$_DFFSR_PNP_ (C, S, R, D, Q);
1768     input C, S, R, D;
1769     output reg Q;
1770     always @(posedge C, negedge S, posedge R) begin
1771         if (R == 1)
1772             Q <= 0;
1773         else if (S == 0)
1774             Q <= 1;
1775         else
1776             Q <= D;
1777     end
1778 endmodule

```

yosys> help \$\_DFFSR\_PPN\_

A positive edge D-type flip-flop with positive polarity set and negative polarity reset.

```

Truth table:   C S R D | Q
-----+----
- 1 0 - | x
- - 0 - | 0
- 1 - - | 1
/ - - d | d
- - - - | q

```

Simulation model (verilog)

Listing 9.178: simcells.v

```

1796 module \$_DFFSR_PPN_ (C, S, R, D, Q);
1797     input C, S, R, D;

```

(continues on next page)

(continued from previous page)

```

1798   output reg Q;
1799   always @(posedge C, posedge S, negedge R) begin
1800       if (R == 0)
1801           Q <= 0;
1802       else if (S == 1)
1803           Q <= 1;
1804       else
1805           Q <= D;
1806   end
1807 endmodule

```

yosys> help \$\_DFFSR\_PPP\_

A positive edge D-type flip-flop with positive polarity set and positive polarity reset.

```

Truth table:   C S R D | Q
-----+----
              - 1 1 - | x
              - - 1 - | 0
              - 1 - - | 1
              / - - d | d
              - - - - | q

```

Simulation model (verilog)

Listing 9.179: simcells.v

```

1825 module \$_DFFSR_PPP_ (C, S, R, D, Q);
1826     input C, S, R, D;
1827     output reg Q;
1828     always @(posedge C, posedge S, posedge R) begin
1829         if (R == 1)
1830             Q <= 0;
1831         else if (S == 1)
1832             Q <= 1;
1833         else
1834             Q <= D;
1835     end
1836 endmodule

```

yosys> help \$\_DFF\_NNO\_

A negative edge D-type flip-flop with negative polarity reset.

```

Truth table:   D C R | Q
-----+----
              - - 0 | 0
              d \ - | d
              - - - | q

```

Simulation model (verilog)

Listing 9.180: simcells.v

```

731 module \$_DFF_NN0_ (D, C, R, Q);
732     input D, C, R;
733     output reg Q;
734     always @(negedge C or negedge R) begin
735         if (R == 0)
736             Q <= 0;
737         else
738             Q <= D;
739     end
740 endmodule

```

yosys> help \$\_DFF\_NN1\_

A negative edge D-type flip-flop with negative polarity set.

```

Truth table:   D C R | Q
-----+-----
              - - 0 | 1
              d \ - | d
              - - - | q

```

Simulation model (verilog)

Listing 9.181: simcells.v

```

755 module \$_DFF_NN1_ (D, C, R, Q);
756     input D, C, R;
757     output reg Q;
758     always @(negedge C or negedge R) begin
759         if (R == 0)
760             Q <= 1;
761         else
762             Q <= D;
763     end
764 endmodule

```

yosys> help \$\_DFF\_NP0\_

A negative edge D-type flip-flop with positive polarity reset.

```

Truth table:   D C R | Q
-----+-----
              - - 1 | 0
              d \ - | d
              - - - | q

```

Simulation model (verilog)

Listing 9.182: simcells.v

```

779 module \$_DFF_NP0_ (D, C, R, Q);
780     input D, C, R;
781     output reg Q;

```

(continues on next page)

(continued from previous page)

```

782     always @(negedge C or posedge R) begin
783         if (R == 1)
784             Q <= 0;
785         else
786             Q <= D;
787     end
788 endmodule

```

yosys> help \$\_DFF\_NP1\_

A negative edge D-type flip-flop with positive polarity set.

```

Truth table:   D C R | Q
              -----+----
              - - 1 | 1
              d \ - | d
              - - - | q

```

Simulation model (verilog)

Listing 9.183: simcells.v

```

803 module \$_DFF_NP1_ (D, C, R, Q);
804     input D, C, R;
805     output reg Q;
806     always @(negedge C or posedge R) begin
807         if (R == 1)
808             Q <= 1;
809         else
810             Q <= D;
811     end
812 endmodule

```

yosys> help \$\_DFF\_N\_

A negative edge D-type flip-flop.

```

Truth table:   D C | Q
              -----+----
              d \ | d
              - - | q

```

Simulation model (verilog)

Listing 9.184: simcells.v

```

610 module \$_DFF_N_ (D, C, Q);
611     input D, C;
612     output reg Q;
613     always @(negedge C) begin
614         Q <= D;
615     end
616 endmodule

```

yosys> help \$\_DFF\_PNO\_

A positive edge D-type flip-flop with negative polarity reset.

| Truth table: | D     | C     | R     | Q     |
|--------------|-------|-------|-------|-------|
|              | ----- | ----- | ----- | ----- |
|              | -     | -     | 0     | 0     |
|              | d     | /     | -     | d     |
|              | -     | -     | -     | q     |

Simulation model (verilog)

Listing 9.185: simcells.v

```

827 module \$_DFF_PNO_ (D, C, R, Q);
828     input D, C, R;
829     output reg Q;
830     always @(posedge C or negedge R) begin
831         if (R == 0)
832             Q <= 0;
833         else
834             Q <= D;
835     end
836 endmodule

```

yosys> help \$\_DFF\_PN1\_

A positive edge D-type flip-flop with negative polarity set.

| Truth table: | D     | C     | R     | Q     |
|--------------|-------|-------|-------|-------|
|              | ----- | ----- | ----- | ----- |
|              | -     | -     | 0     | 1     |
|              | d     | /     | -     | d     |
|              | -     | -     | -     | q     |

Simulation model (verilog)

Listing 9.186: simcells.v

```

851 module \$_DFF_PN1_ (D, C, R, Q);
852     input D, C, R;
853     output reg Q;
854     always @(posedge C or negedge R) begin
855         if (R == 0)
856             Q <= 1;
857         else
858             Q <= D;
859     end
860 endmodule

```

yosys> help \$\_DFF\_PPO\_

A positive edge D-type flip-flop with positive polarity reset.

| Truth table: | D     | C     | R     | Q     |
|--------------|-------|-------|-------|-------|
|              | ----- | ----- | ----- | ----- |

(continues on next page)

(continued from previous page)

```

- - 1 | 0
d / - | d
- - - | q

```

Simulation model (verilog)

Listing 9.187: simcells.v

```

875 module \$_DFF_PPO_ (D, C, R, Q);
876     input D, C, R;
877     output reg Q;
878     always @(posedge C or posedge R) begin
879         if (R == 1)
880             Q <= 0;
881         else
882             Q <= D;
883     end
884 endmodule

```

yosys&gt; help \$\_DFF\_PP1\_

A positive edge D-type flip-flop with positive polarity set.

```

Truth table:   D C R | Q
               -----+---
               - - 1 | 1
               d / - | d
               - - - | q

```

Simulation model (verilog)

Listing 9.188: simcells.v

```

899 module \$_DFF_PP1_ (D, C, R, Q);
900     input D, C, R;
901     output reg Q;
902     always @(posedge C or posedge R) begin
903         if (R == 1)
904             Q <= 1;
905         else
906             Q <= D;
907     end
908 endmodule

```

yosys&gt; help \$\_DFF\_P\_

A positive edge D-type flip-flop.

```

Truth table:   D C | Q
               -----+---
               d / | d
               - - | q

```

Simulation model (verilog)

Listing 9.189: simcells.v

```

630 module \$_DFF_P_ (D, C, Q);
631     input D, C;
632     output reg Q;
633     always @(posedge C) begin
634         Q <= D;
635     end
636 endmodule

```

yosys> help \$\_FF\_

A D-type flip-flop that is clocked from the implicit global clock. (This cell type is usually only used in netlists for formal verification.)

Simulation model (verilog)

Listing 9.190: simcells.v

```

589 module \$_FF_ (D, Q);
590     input D;
591     output reg Q;
592     always @($global_clock) begin
593         Q <= D;
594     end
595 endmodule

```

yosys> help \$\_SDFACE\_NNON\_

A negative edge D-type flip-flop with negative polarity synchronous reset and negative polarity clock enable (with clock enable having priority).

```

Truth table:   D C R E | Q
               -----+---
               - \ 0 0 | 0
               d \ - 0 | d
               - - - - | q

```

Simulation model (verilog)

Listing 9.191: simcells.v

```

2908 module \$_SDFACE_NNON_ (D, C, R, E, Q);
2909     input D, C, R, E;
2910     output reg Q;
2911     always @(negedge C) begin
2912         if (E == 0) begin
2913             if (R == 0)
2914                 Q <= 0;
2915             else
2916                 Q <= D;
2917         end
2918     end
2919 endmodule

```

yosys> help \$\_SDFACE\_NNOP\_

A negative edge D-type flip-flop with negative polarity synchronous reset and positive polarity clock enable (with clock enable having priority).

| Truth table: | D | C | R | E | Q |
|--------------|---|---|---|---|---|
|              | - | \ | 0 | 1 | 0 |
|              | d | \ | - | 1 | d |
|              | - | - | - | - | q |

Simulation model (verilog)

Listing 9.192: simcells.v

```

2935 module \$_SDFACE_NNOP_ (D, C, R, E, Q);
2936     input D, C, R, E;
2937     output reg Q;
2938     always @(negedge C) begin
2939         if (E == 1) begin
2940             if (R == 0)
2941                 Q <= 0;
2942             else
2943                 Q <= D;
2944         end
2945     end
2946 endmodule

```

yosys> help \$\_SDFACE\_NN1N\_

A negative edge D-type flip-flop with negative polarity synchronous set and negative polarity clock enable (with clock enable having priority).

| Truth table: | D | C | R | E | Q |
|--------------|---|---|---|---|---|
|              | - | \ | 0 | 0 | 1 |
|              | d | \ | - | 0 | d |
|              | - | - | - | - | q |

Simulation model (verilog)

Listing 9.193: simcells.v

```

2962 module \$_SDFACE_NN1N_ (D, C, R, E, Q);
2963     input D, C, R, E;
2964     output reg Q;
2965     always @(negedge C) begin
2966         if (E == 0) begin
2967             if (R == 0)
2968                 Q <= 1;
2969             else
2970                 Q <= D;
2971         end
2972     end
2973 endmodule

```

yosys> help \$\_SDFACE\_NN1P\_

A negative edge D-type flip-flop with negative polarity synchronous set and positive polarity clock enable (with clock enable having priority).

```
Truth table:   D C R E | Q
               +-----+
               - \ 0 1 | 1
               d \ - 1 | d
               - - - - | q
```

Simulation model (verilog)

Listing 9.194: simcells.v

```
2989 module \$_SDFACE_NN1P_ (D, C, R, E, Q);
2990     input D, C, R, E;
2991     output reg Q;
2992     always @(negedge C) begin
2993         if (E == 1) begin
2994             if (R == 0)
2995                 Q <= 1;
2996             else
2997                 Q <= D;
2998         end
2999     end
3000 endmodule
```

yosys> help \$\_SDFACE\_NPON\_

A negative edge D-type flip-flop with positive polarity synchronous reset and negative polarity clock enable (with clock enable having priority).

```
Truth table:   D C R E | Q
               +-----+
               - \ 1 0 | 0
               d \ - 0 | d
               - - - - | q
```

Simulation model (verilog)

Listing 9.195: simcells.v

```
3016 module \$_SDFACE_NPON_ (D, C, R, E, Q);
3017     input D, C, R, E;
3018     output reg Q;
3019     always @(negedge C) begin
3020         if (E == 0) begin
3021             if (R == 1)
3022                 Q <= 0;
3023             else
3024                 Q <= D;
3025         end
3026     end
3027 endmodule
```

yosys> help \$\_SDFCFE\_NPOP\_

A negative edge D-type flip-flop with positive polarity synchronous reset and positive polarity clock enable (with clock enable having priority).

```
Truth table:   D C R E | Q
               -----+---
               - \ 1 1 | 0
               d \ - 1 | d
               - - - - | q
```

Simulation model (verilog)

Listing 9.196: simcells.v

```
3043 module \$_SDFCFE_NPOP_ (D, C, R, E, Q);
3044     input D, C, R, E;
3045     output reg Q;
3046     always @(negedge C) begin
3047         if (E == 1) begin
3048             if (R == 1)
3049                 Q <= 0;
3050             else
3051                 Q <= D;
3052         end
3053     end
3054 endmodule
```

yosys> help \$\_SDFCFE\_NP1N\_

A negative edge D-type flip-flop with positive polarity synchronous set and negative polarity clock enable (with clock enable having priority).

```
Truth table:   D C R E | Q
               -----+---
               - \ 1 0 | 1
               d \ - 0 | d
               - - - - | q
```

Simulation model (verilog)

Listing 9.197: simcells.v

```
3070 module \$_SDFCFE_NP1N_ (D, C, R, E, Q);
3071     input D, C, R, E;
3072     output reg Q;
3073     always @(negedge C) begin
3074         if (E == 0) begin
3075             if (R == 1)
3076                 Q <= 1;
3077             else
3078                 Q <= D;
3079         end
3080     end
3081 endmodule
```

yosys> help \$\_SDFACE\_NP1P\_

A negative edge D-type flip-flop with positive polarity synchronous set and positive polarity clock enable (with clock enable having priority).

| Truth table: | D | C | R | E | Q |
|--------------|---|---|---|---|---|
|              | - | \ | 1 | 1 | 1 |
|              | d | \ | - | 1 | d |
|              | - | - | - | - | q |

Simulation model (verilog)

Listing 9.198: simcells.v

```

3097 module \$_SDFACE_NP1P_ (D, C, R, E, Q);
3098     input D, C, R, E;
3099     output reg Q;
3100     always @(negedge C) begin
3101         if (E == 1) begin
3102             if (R == 1)
3103                 Q <= 1;
3104             else
3105                 Q <= D;
3106         end
3107     end
3108 endmodule

```

yosys> help \$\_SDFACE\_PNON\_

A positive edge D-type flip-flop with negative polarity synchronous reset and negative polarity clock enable (with clock enable having priority).

| Truth table: | D | C | R | E | Q |
|--------------|---|---|---|---|---|
|              | - | / | 0 | 0 | 0 |
|              | d | / | - | 0 | d |
|              | - | - | - | - | q |

Simulation model (verilog)

Listing 9.199: simcells.v

```

3124 module \$_SDFACE_PNON_ (D, C, R, E, Q);
3125     input D, C, R, E;
3126     output reg Q;
3127     always @(posedge C) begin
3128         if (E == 0) begin
3129             if (R == 0)
3130                 Q <= 0;
3131             else
3132                 Q <= D;
3133         end
3134     end
3135 endmodule

```

yosys> help \$\_SDFACE\_PNOP\_

A positive edge D-type flip-flop with negative polarity synchronous reset and positive polarity clock enable (with clock enable having priority).

| Truth table: | D | C | R | E | Q |
|--------------|---|---|---|---|---|
|              | - | / | 0 | 1 | 0 |
|              | d | / | - | 1 | d |
|              | - | - | - | - | q |

Simulation model (verilog)

Listing 9.200: simcells.v

```

3151 module \$_SDFACE_PNOP_ (D, C, R, E, Q);
3152     input D, C, R, E;
3153     output reg Q;
3154     always @(posedge C) begin
3155         if (E == 1) begin
3156             if (R == 0)
3157                 Q <= 0;
3158             else
3159                 Q <= D;
3160         end
3161     end
3162 endmodule

```

yosys> help \$\_SDFACE\_PN1N\_

A positive edge D-type flip-flop with negative polarity synchronous set and negative polarity clock enable (with clock enable having priority).

| Truth table: | D | C | R | E | Q |
|--------------|---|---|---|---|---|
|              | - | / | 0 | 0 | 1 |
|              | d | / | - | 0 | d |
|              | - | - | - | - | q |

Simulation model (verilog)

Listing 9.201: simcells.v

```

3178 module \$_SDFACE_PN1N_ (D, C, R, E, Q);
3179     input D, C, R, E;
3180     output reg Q;
3181     always @(posedge C) begin
3182         if (E == 0) begin
3183             if (R == 0)
3184                 Q <= 1;
3185             else
3186                 Q <= D;
3187         end
3188     end
3189 endmodule

```

yosys> help \$\_SDFfce\_PN1P\_

A positive edge D-type flip-flop with negative polarity synchronous set and positive polarity clock enable (with clock enable having priority).

| Truth table: | D | C | R | E | Q |
|--------------|---|---|---|---|---|
|              | - | / | 0 | 1 | 1 |
|              | d | / | - | 1 | d |
|              | - | - | - | - | q |

Simulation model (verilog)

Listing 9.202: simcells.v

```

3205 module \$_SDFfce_PN1P_ (D, C, R, E, Q);
3206     input D, C, R, E;
3207     output reg Q;
3208     always @(posedge C) begin
3209         if (E == 1) begin
3210             if (R == 0)
3211                 Q <= 1;
3212             else
3213                 Q <= D;
3214         end
3215     end
3216 endmodule

```

yosys> help \$\_SDFfce\_PPON\_

A positive edge D-type flip-flop with positive polarity synchronous reset and negative polarity clock enable (with clock enable having priority).

| Truth table: | D | C | R | E | Q |
|--------------|---|---|---|---|---|
|              | - | / | 1 | 0 | 0 |
|              | d | / | - | 0 | d |
|              | - | - | - | - | q |

Simulation model (verilog)

Listing 9.203: simcells.v

```

3232 module \$_SDFfce_PPON_ (D, C, R, E, Q);
3233     input D, C, R, E;
3234     output reg Q;
3235     always @(posedge C) begin
3236         if (E == 0) begin
3237             if (R == 1)
3238                 Q <= 0;
3239             else
3240                 Q <= D;
3241         end
3242     end
3243 endmodule

```

yosys> help \$\_SDFACE\_PPOP\_

A positive edge D-type flip-flop with positive polarity synchronous reset and positive polarity clock enable (with clock enable having priority).

```
Truth table:   D C R E | Q
               +-----+
               - / 1 1 | 0
               d / - 1 | d
               - - - - | q
```

Simulation model (verilog)

Listing 9.204: simcells.v

```
3259 module \$_SDFACE_PPOP_ (D, C, R, E, Q);
3260     input D, C, R, E;
3261     output reg Q;
3262     always @(posedge C) begin
3263         if (E == 1) begin
3264             if (R == 1)
3265                 Q <= 0;
3266             else
3267                 Q <= D;
3268         end
3269     end
3270 endmodule
```

yosys> help \$\_SDFACE\_PP1N\_

A positive edge D-type flip-flop with positive polarity synchronous set and negative polarity clock enable (with clock enable having priority).

```
Truth table:   D C R E | Q
               +-----+
               - / 1 0 | 1
               d / - 0 | d
               - - - - | q
```

Simulation model (verilog)

Listing 9.205: simcells.v

```
3286 module \$_SDFACE_PP1N_ (D, C, R, E, Q);
3287     input D, C, R, E;
3288     output reg Q;
3289     always @(posedge C) begin
3290         if (E == 0) begin
3291             if (R == 1)
3292                 Q <= 1;
3293             else
3294                 Q <= D;
3295         end
3296     end
3297 endmodule
```

yosys> help \$\_SDFACE\_PP1P\_

A positive edge D-type flip-flop with positive polarity synchronous set and positive polarity clock enable (with clock enable having priority).

```
Truth table:   D C R E | Q
               +-----+
               - / 1 1 | 1
               d / - 1 | d
               - - - - | q
```

Simulation model (verilog)

Listing 9.206: simcells.v

```
3313 module \$_SDFACE_PP1P_ (D, C, R, E, Q);
3314     input D, C, R, E;
3315     output reg Q;
3316     always @(posedge C) begin
3317         if (E == 1) begin
3318             if (R == 1)
3319                 Q <= 1;
3320             else
3321                 Q <= D;
3322         end
3323     end
3324 endmodule
```

yosys> help \$\_SDFFE\_NNON\_

A negative edge D-type flip-flop with negative polarity synchronous reset and negative polarity clock enable (with reset having priority).

```
Truth table:   D C R E | Q
               +-----+
               - \ 0 - | 0
               d \ - 0 | d
               - - - - | q
```

Simulation model (verilog)

Listing 9.207: simcells.v

```
2508 module \$_SDFFE_NNON_ (D, C, R, E, Q);
2509     input D, C, R, E;
2510     output reg Q;
2511     always @(negedge C) begin
2512         if (R == 0)
2513             Q <= 0;
2514         else if (E == 0)
2515             Q <= D;
2516     end
2517 endmodule
```

yosys> help \$\_SDFFE\_NNOP\_

A negative edge D-type flip-flop with negative polarity synchronous reset and positive polarity clock

enable (with reset having priority).

```
Truth table:   D C R E | Q
               -----+---
               - \ 0 - | 0
               d \ - 1 | d
               - - - - | q
```

Simulation model (verilog)

Listing 9.208: simcells.v

```
2533 module \$_SDFFE_NNOP_ (D, C, R, E, Q);
2534     input D, C, R, E;
2535     output reg Q;
2536     always @(negedge C) begin
2537         if (R == 0)
2538             Q <= 0;
2539         else if (E == 1)
2540             Q <= D;
2541     end
2542 endmodule
```

yosys> help \$\_SDFFE\_NN1N\_

A negative edge D-type flip-flop with negative polarity synchronous set and negative polarity clock enable (with set having priority).

```
Truth table:   D C R E | Q
               -----+---
               - \ 0 - | 1
               d \ - 0 | d
               - - - - | q
```

Simulation model (verilog)

Listing 9.209: simcells.v

```
2558 module \$_SDFFE_NN1N_ (D, C, R, E, Q);
2559     input D, C, R, E;
2560     output reg Q;
2561     always @(negedge C) begin
2562         if (R == 0)
2563             Q <= 1;
2564         else if (E == 0)
2565             Q <= D;
2566     end
2567 endmodule
```

yosys> help \$\_SDFFE\_NN1P\_

A negative edge D-type flip-flop with negative polarity synchronous set and positive polarity clock enable (with set having priority).

```
Truth table:   D C R E | Q
               -----+---
```

(continues on next page)

(continued from previous page)

```

- \ 0 - | 1
d \ - 1 | d
- - - - | q

```

Simulation model (verilog)

Listing 9.210: simcells.v

```

2583 module \$_SDFFE_NN1P_ (D, C, R, E, Q);
2584     input D, C, R, E;
2585     output reg Q;
2586     always @(negedge C) begin
2587         if (R == 0)
2588             Q <= 1;
2589         else if (E == 1)
2590             Q <= D;
2591     end
2592 endmodule

```

yosys&gt; help \$\_SDFFE\_NPON\_

A negative edge D-type flip-flop with positive polarity synchronous reset and negative polarity clock enable (with reset having priority).

```

Truth table:   D C R E | Q
-----+-----
- \ 1 - | 0
d \ - 0 | d
- - - - | q

```

Simulation model (verilog)

Listing 9.211: simcells.v

```

2608 module \$_SDFFE_NPON_ (D, C, R, E, Q);
2609     input D, C, R, E;
2610     output reg Q;
2611     always @(negedge C) begin
2612         if (R == 1)
2613             Q <= 0;
2614         else if (E == 0)
2615             Q <= D;
2616     end
2617 endmodule

```

yosys&gt; help \$\_SDFFE\_NPOP\_

A negative edge D-type flip-flop with positive polarity synchronous reset and positive polarity clock enable (with reset having priority).

```

Truth table:   D C R E | Q
-----+-----
- \ 1 - | 0
d \ - 1 | d
- - - - | q

```

Simulation model (verilog)

Listing 9.212: simcells.v

```

2633 module \$_SDFFE_NPOP_ (D, C, R, E, Q);
2634     input D, C, R, E;
2635     output reg Q;
2636     always @(negedge C) begin
2637         if (R == 1)
2638             Q <= 0;
2639         else if (E == 1)
2640             Q <= D;
2641     end
2642 endmodule

```

yosys&gt; help \$\_SDFFE\_NP1N\_

A negative edge D-type flip-flop with positive polarity synchronous set and negative polarity clock enable (with set having priority).

```

Truth table:   D C R E | Q
               - - - - + - -
               - \ 1 - | 1
               d \ - 0 | d
               - - - - | q

```

Simulation model (verilog)

Listing 9.213: simcells.v

```

2658 module \$_SDFFE_NP1N_ (D, C, R, E, Q);
2659     input D, C, R, E;
2660     output reg Q;
2661     always @(negedge C) begin
2662         if (R == 1)
2663             Q <= 1;
2664         else if (E == 0)
2665             Q <= D;
2666     end
2667 endmodule

```

yosys&gt; help \$\_SDFFE\_NP1P\_

A negative edge D-type flip-flop with positive polarity synchronous set and positive polarity clock enable (with set having priority).

```

Truth table:   D C R E | Q
               - - - - + - -
               - \ 1 - | 1
               d \ - 1 | d
               - - - - | q

```

Simulation model (verilog)

Listing 9.214: simcells.v

```

2683 module \$_SDFFE_NP1P_ (D, C, R, E, Q);
2684     input D, C, R, E;
2685     output reg Q;
2686     always @(negedge C) begin
2687         if (R == 1)
2688             Q <= 1;
2689         else if (E == 1)
2690             Q <= D;
2691     end
2692 endmodule

```

yosys> help \$\_SDFFE\_PNON\_

A positive edge D-type flip-flop with negative polarity synchronous reset and negative polarity clock enable (with reset having priority).

```

Truth table:   D C R E | Q
               -----+----
               - / 0 - | 0
               d / - 0 | d
               - - - - | q

```

Simulation model (verilog)

Listing 9.215: simcells.v

```

2708 module \$_SDFFE_PNON_ (D, C, R, E, Q);
2709     input D, C, R, E;
2710     output reg Q;
2711     always @(posedge C) begin
2712         if (R == 0)
2713             Q <= 0;
2714         else if (E == 0)
2715             Q <= D;
2716     end
2717 endmodule

```

yosys> help \$\_SDFFE\_PNOP\_

A positive edge D-type flip-flop with negative polarity synchronous reset and positive polarity clock enable (with reset having priority).

```

Truth table:   D C R E | Q
               -----+----
               - / 0 - | 0
               d / - 1 | d
               - - - - | q

```

Simulation model (verilog)

Listing 9.216: simcells.v

```

2733 module \$_SDFFE_PNOP_ (D, C, R, E, Q);
2734     input D, C, R, E;
2735     output reg Q;
2736     always @(posedge C) begin
2737         if (R == 0)
2738             Q <= 0;
2739         else if (E == 1)
2740             Q <= D;
2741     end
2742 endmodule

```

yosys> help \$\_SDFFE\_PN1N\_

A positive edge D-type flip-flop with negative polarity synchronous set and negative polarity clock enable (with set having priority).

```

Truth table:   D C R E | Q
               +-----+
               - / 0 - | 1
               d / - 0 | d
               - - - - | q

```

Simulation model (verilog)

Listing 9.217: simcells.v

```

2758 module \$_SDFFE_PN1N_ (D, C, R, E, Q);
2759     input D, C, R, E;
2760     output reg Q;
2761     always @(posedge C) begin
2762         if (R == 0)
2763             Q <= 1;
2764         else if (E == 0)
2765             Q <= D;
2766     end
2767 endmodule

```

yosys> help \$\_SDFFE\_PN1P\_

A positive edge D-type flip-flop with negative polarity synchronous set and positive polarity clock enable (with set having priority).

```

Truth table:   D C R E | Q
               +-----+
               - / 0 - | 1
               d / - 1 | d
               - - - - | q

```

Simulation model (verilog)

Listing 9.218: simcells.v

```

2783 module \$_SDFFE_PN1P_ (D, C, R, E, Q);
2784     input D, C, R, E;
2785     output reg Q;
2786     always @(posedge C) begin
2787         if (R == 0)
2788             Q <= 1;
2789         else if (E == 1)
2790             Q <= D;
2791     end
2792 endmodule

```

yosys> help \$\_SDFFE\_PPON\_

A positive edge D-type flip-flop with positive polarity synchronous reset and negative polarity clock enable (with reset having priority).

```

Truth table:   D C R E | Q
               -----+----
               - / 1 - | 0
               d / - 0 | d
               - - - - | q

```

Simulation model (verilog)

Listing 9.219: simcells.v

```

2808 module \$_SDFFE_PPOP_ (D, C, R, E, Q);
2809     input D, C, R, E;
2810     output reg Q;
2811     always @(posedge C) begin
2812         if (R == 1)
2813             Q <= 0;
2814         else if (E == 0)
2815             Q <= D;
2816     end
2817 endmodule

```

yosys> help \$\_SDFFE\_PPOP\_

A positive edge D-type flip-flop with positive polarity synchronous reset and positive polarity clock enable (with reset having priority).

```

Truth table:   D C R E | Q
               -----+----
               - / 1 - | 0
               d / - 1 | d
               - - - - | q

```

Simulation model (verilog)

Listing 9.220: simcells.v

```

2833 module \$_SDFFE_PPOP_ (D, C, R, E, Q);
2834     input D, C, R, E;
2835     output reg Q;
2836     always @(posedge C) begin
2837         if (R == 1)
2838             Q <= 0;
2839         else if (E == 1)
2840             Q <= D;
2841     end
2842 endmodule

```

yosys> help \$\_SDFFE\_PP1N\_

A positive edge D-type flip-flop with positive polarity synchronous set and negative polarity clock enable (with set having priority).

```

Truth table:   D C R E | Q
               -----+---
               - / 1 - | 1
               d / - 0 | d
               - - - - | q

```

Simulation model (verilog)

Listing 9.221: simcells.v

```

2858 module \$_SDFFE_PP1N_ (D, C, R, E, Q);
2859     input D, C, R, E;
2860     output reg Q;
2861     always @(posedge C) begin
2862         if (R == 1)
2863             Q <= 1;
2864         else if (E == 0)
2865             Q <= D;
2866     end
2867 endmodule

```

yosys> help \$\_SDFFE\_PP1P\_

A positive edge D-type flip-flop with positive polarity synchronous set and positive polarity clock enable (with set having priority).

```

Truth table:   D C R E | Q
               -----+---
               - / 1 - | 1
               d / - 1 | d
               - - - - | q

```

Simulation model (verilog)

Listing 9.222: simcells.v

```

2883 module \$_SDFFE_PP1P_ (D, C, R, E, Q);
2884     input D, C, R, E;
2885     output reg Q;
2886     always @(posedge C) begin
2887         if (R == 1)
2888             Q <= 1;
2889         else if (E == 1)
2890             Q <= D;
2891     end
2892 endmodule

```

yosys> help \$\_SDFF\_NNO\_

A negative edge D-type flip-flop with negative polarity synchronous reset.

```

Truth table:   D C R | Q
-----+-----
              - \ 0 | 0
              d \ - | d
              - - - | q

```

Simulation model (verilog)

Listing 9.223: simcells.v

```

2315 module \$_SDFF_NNO_ (D, C, R, Q);
2316     input D, C, R;
2317     output reg Q;
2318     always @(negedge C) begin
2319         if (R == 0)
2320             Q <= 0;
2321         else
2322             Q <= D;
2323     end
2324 endmodule

```

yosys> help \$\_SDFF\_NN1\_

A negative edge D-type flip-flop with negative polarity synchronous set.

```

Truth table:   D C R | Q
-----+-----
              - \ 0 | 1
              d \ - | d
              - - - | q

```

Simulation model (verilog)

Listing 9.224: simcells.v

```

2339 module \$_SDFF_NN1_ (D, C, R, Q);
2340     input D, C, R;
2341     output reg Q;

```

(continues on next page)

(continued from previous page)

```

2342     always @(negedge C) begin
2343         if (R == 0)
2344             Q <= 1;
2345         else
2346             Q <= D;
2347     end
2348 endmodule

```

yosys> help \$\_SDFF\_NPO\_

A negative edge D-type flip-flop with positive polarity synchronous reset.

```

Truth table:   D C R | Q
              -----+---
              - \ 1 | 0
              d \ - | d
              - - - | q

```

Simulation model (verilog)

Listing 9.225: simcells.v

```

2363 module \$_SDFF_NPO_ (D, C, R, Q);
2364     input D, C, R;
2365     output reg Q;
2366     always @(negedge C) begin
2367         if (R == 1)
2368             Q <= 0;
2369         else
2370             Q <= D;
2371     end
2372 endmodule

```

yosys> help \$\_SDFF\_NP1\_

A negative edge D-type flip-flop with positive polarity synchronous set.

```

Truth table:   D C R | Q
              -----+---
              - \ 1 | 1
              d \ - | d
              - - - | q

```

Simulation model (verilog)

Listing 9.226: simcells.v

```

2387 module \$_SDFF_NP1_ (D, C, R, Q);
2388     input D, C, R;
2389     output reg Q;
2390     always @(negedge C) begin
2391         if (R == 1)
2392             Q <= 1;
2393         else

```

(continues on next page)

(continued from previous page)

```

2394         Q <= D;
2395     end
2396 endmodule

```

yosys> help \$\_SDFF\_PNO\_

A positive edge D-type flip-flop with negative polarity synchronous reset.

```

Truth table:   D C R | Q
              -----+---
              - / 0 | 0
              d / - | d
              - - - | q

```

Simulation model (verilog)

Listing 9.227: simcells.v

```

2411 module \$_SDFF_PNO_ (D, C, R, Q);
2412     input D, C, R;
2413     output reg Q;
2414     always @(posedge C) begin
2415         if (R == 0)
2416             Q <= 0;
2417         else
2418             Q <= D;
2419     end
2420 endmodule

```

yosys> help \$\_SDFF\_PN1\_

A positive edge D-type flip-flop with negative polarity synchronous set.

```

Truth table:   D C R | Q
              -----+---
              - / 0 | 1
              d / - | d
              - - - | q

```

Simulation model (verilog)

Listing 9.228: simcells.v

```

2435 module \$_SDFF_PN1_ (D, C, R, Q);
2436     input D, C, R;
2437     output reg Q;
2438     always @(posedge C) begin
2439         if (R == 0)
2440             Q <= 1;
2441         else
2442             Q <= D;
2443     end
2444 endmodule

```

yosys> help \$\_SDFF\_PP0\_

A positive edge D-type flip-flop with positive polarity synchronous reset.

```
Truth table:   D C R | Q
              -----+----
              - / 1 | 0
              d / - | d
              - - - | q
```

Simulation model (verilog)

Listing 9.229: simcells.v

```
2459 module \$_SDFF_PP0_ (D, C, R, Q);
2460     input D, C, R;
2461     output reg Q;
2462     always @(posedge C) begin
2463         if (R == 1)
2464             Q <= 0;
2465         else
2466             Q <= D;
2467     end
2468 endmodule
```

yosys> help \$\_SDFF\_PP1\_

A positive edge D-type flip-flop with positive polarity synchronous set.

```
Truth table:   D C R | Q
              -----+----
              - / 1 | 1
              d / - | d
              - - - | q
```

Simulation model (verilog)

Listing 9.230: simcells.v

```
2483 module \$_SDFF_PP1_ (D, C, R, Q);
2484     input D, C, R;
2485     output reg Q;
2486     always @(posedge C) begin
2487         if (R == 1)
2488             Q <= 1;
2489         else
2490             Q <= D;
2491     end
2492 endmodule
```

## 9.2.4 Latch cells

The cell types `$_DLATCH_N_` and `$_DLATCH_P_` represent d-type latches.

Table 9.12: Cell types for basic latches

| Verilog                                  | Cell Type                 |
|------------------------------------------|---------------------------|
| <code>always @* if (!E) Q &lt;= D</code> | <code>\$_DLATCH_N_</code> |
| <code>always @* if (E) Q &lt;= D</code>  | <code>\$_DLATCH_P_</code> |

The cell types `$_DLATCH_[NP][NP][01]_` implement d-type latches with reset. The values in the table for these cell types relate to the following Verilog code template:

```
always @*
  if (R == RST_LVL)
    Q <= RST_VAL;
  else if (E == EN_LVL)
    Q <= D;
```

Table 9.13: Cell types for gate level logic networks (latches with reset)

| <i>EnLvl</i> | <i>RstLvl</i> | <i>RstVal</i> | Cell Type                      |
|--------------|---------------|---------------|--------------------------------|
| 0            | 0             | 0             | <code>\$_DLATCH_NNO_</code>    |
| 0            | 0             | 1             | <code>\$_DLATCH&gt;NN1_</code> |
| 0            | 1             | 0             | <code>\$_DLATCH_NPO_</code>    |
| 0            | 1             | 1             | <code>\$_DLATCH_NP1_</code>    |
| 1            | 0             | 0             | <code>\$_DLATCH_PNO_</code>    |
| 1            | 0             | 1             | <code>\$_DLATCH_PN1_</code>    |
| 1            | 1             | 0             | <code>\$_DLATCH_PPO_</code>    |
| 1            | 1             | 1             | <code>\$_DLATCH_PP1_</code>    |

The cell types `$_DLATCHSR_[NP][NP][NP]_` implement d-type latches with set and reset. The values in the table for these cell types relate to the following Verilog code template:

```
always @*
  if (R == RST_LVL)
    Q <= 0;
  else if (S == SET_LVL)
    Q <= 1;
  else if (E == EN_LVL)
    Q <= D;
```

Table 9.14: Cell types for gate level logic networks (latches with set and reset)

| <i>EnLvl</i> | <i>SetLvl</i> | <i>RstLvl</i> | Cell Type                     |
|--------------|---------------|---------------|-------------------------------|
| 0            | 0             | 0             | <code>\$_DLATCHSR_NNN_</code> |
| 0            | 0             | 1             | <code>\$_DLATCHSR_NNP_</code> |
| 0            | 1             | 0             | <code>\$_DLATCHSR_NPN_</code> |
| 0            | 1             | 1             | <code>\$_DLATCHSR_NPP_</code> |
| 1            | 0             | 0             | <code>\$_DLATCHSR_PNN_</code> |
| 1            | 0             | 1             | <code>\$_DLATCHSR_PNP_</code> |
| 1            | 1             | 0             | <code>\$_DLATCHSR_PPN_</code> |
| 1            | 1             | 1             | <code>\$_DLATCHSR_PPP_</code> |

The cell types `$_SR_[NP][NP]_` implement sr-type latches. The values in the table for these cell types relate to the following Verilog code template:

```
always @*
  if (R == RST_LVL)
    Q <= 0;
  else if (S == SET_LVL)
    Q <= 1;
```

Table 9.15: Cell types for gate level logic networks (SR latches)

| <i>SetLvl</i> | <i>RstLvl</i> | Cell Type              |
|---------------|---------------|------------------------|
| 0             | 0             | <code>\$_SR_NN_</code> |
| 0             | 1             | <code>\$_SR_NP_</code> |
| 1             | 0             | <code>\$_SR_PN_</code> |
| 1             | 1             | <code>\$_SR_PP_</code> |

yosys> help `$_DLATCHSR_NNN_`

A negative enable D-type latch with negative polarity set and negative polarity reset.

```
Truth table:   E S R D | Q
               -----+---
               - - 0 - | 0
               - 0 - - | 1
               0 - - d | d
               - - - - | q
```

Simulation model (verilog)

Listing 9.231: simcells.v

```
3575 module \$_DLATCHSR_NNN_ (E, S, R, D, Q);
3576   input E, S, R, D;
3577   output reg Q;
3578   always @* begin
3579     if (R == 0)
3580       Q <= 0;
3581     else if (S == 0)
3582       Q <= 1;
3583     else if (E == 0)
3584       Q <= D;
3585   end
3586 endmodule
```

yosys> help `$_DLATCHSR_NNP_`

A negative enable D-type latch with negative polarity set and positive polarity reset.

```
Truth table:   E S R D | Q
               -----+---
               - - 1 - | 0
               - 0 - - | 1
```

(continues on next page)

(continued from previous page)

```

0 - - d | d
- - - - | q

```

Simulation model (verilog)

Listing 9.232: simcells.v

```

3603 module \$_DLATCHSR_NNP_ (E, S, R, D, Q);
3604     input E, S, R, D;
3605     output reg Q;
3606     always @* begin
3607         if (R == 1)
3608             Q <= 0;
3609         else if (S == 0)
3610             Q <= 1;
3611         else if (E == 0)
3612             Q <= D;
3613     end
3614 endmodule

```

yosys&gt; help \$\_DLATCHSR\_NPN\_

A negative enable D-type latch with positive polarity set and negative polarity reset.

```

Truth table:   E S R D | Q
               -----+---
               - - 0 - | 0
               - 1 - - | 1
               0 - - d | d
               - - - - | q

```

Simulation model (verilog)

Listing 9.233: simcells.v

```

3631 module \$_DLATCHSR_NPN_ (E, S, R, D, Q);
3632     input E, S, R, D;
3633     output reg Q;
3634     always @* begin
3635         if (R == 0)
3636             Q <= 0;
3637         else if (S == 1)
3638             Q <= 1;
3639         else if (E == 0)
3640             Q <= D;
3641     end
3642 endmodule

```

yosys&gt; help \$\_DLATCHSR\_NPP\_

A negative enable D-type latch with positive polarity set and positive polarity reset.

```

Truth table:   E S R D | Q
               -----+---

```

(continues on next page)

(continued from previous page)

```

    - - 1 - | 0
    - 1 - - | 1
    0 - - d | d
    - - - - | q

```

Simulation model (verilog)

Listing 9.234: simcells.v

```

3659 module \$_DLATCHSR_NPP_ (E, S, R, D, Q);
3660     input E, S, R, D;
3661     output reg Q;
3662     always @* begin
3663         if (R == 1)
3664             Q <= 0;
3665         else if (S == 1)
3666             Q <= 1;
3667         else if (E == 0)
3668             Q <= D;
3669     end
3670 endmodule

```

yosys&gt; help \$\_DLATCHSR\_PNN\_

A positive enable D-type latch with negative polarity set and negative polarity reset.

```

Truth table:   E S R D | Q
               -----+---
               - - 0 - | 0
               - 0 - - | 1
               1 - - d | d
               - - - - | q

```

Simulation model (verilog)

Listing 9.235: simcells.v

```

3687 module \$_DLATCHSR_PNN_ (E, S, R, D, Q);
3688     input E, S, R, D;
3689     output reg Q;
3690     always @* begin
3691         if (R == 0)
3692             Q <= 0;
3693         else if (S == 0)
3694             Q <= 1;
3695         else if (E == 1)
3696             Q <= D;
3697     end
3698 endmodule

```

yosys&gt; help \$\_DLATCHSR\_PNP\_

A positive enable D-type latch with negative polarity set and positive polarity reset.

```
Truth table:   E S R D | Q
               -----+---
               - - 1 - | 0
               - 0 - - | 1
               1 - - d | d
               - - - - | q
```

Simulation model (verilog)

Listing 9.236: simcells.v

```
3715 module \$_DLATCHSR_PNP_ (E, S, R, D, Q);
3716     input E, S, R, D;
3717     output reg Q;
3718     always @* begin
3719         if (R == 1)
3720             Q <= 0;
3721         else if (S == 0)
3722             Q <= 1;
3723         else if (E == 1)
3724             Q <= D;
3725     end
3726 endmodule
```

yosys> help \$\_DLATCHSR\_PPN\_

A positive enable D-type latch with positive polarity set and negative polarity reset.

```
Truth table:   E S R D | Q
               -----+---
               - - 0 - | 0
               - 1 - - | 1
               1 - - d | d
               - - - - | q
```

Simulation model (verilog)

Listing 9.237: simcells.v

```
3743 module \$_DLATCHSR_PPN_ (E, S, R, D, Q);
3744     input E, S, R, D;
3745     output reg Q;
3746     always @* begin
3747         if (R == 0)
3748             Q <= 0;
3749         else if (S == 1)
3750             Q <= 1;
3751         else if (E == 1)
3752             Q <= D;
3753     end
3754 endmodule
```

yosys> help \$\_DLATCHSR\_PPP\_

A positive enable D-type latch with positive polarity set and positive polarity reset.

```
Truth table:  E S R D | Q
              -----+----
              - - 1 - | 0
              - 1 - - | 1
              1 - - d | d
              - - - - | q
```

Simulation model (verilog)

Listing 9.238: simcells.v

```
3771 module \$_DLATCHSR_PPP_ (E, S, R, D, Q);
3772     input E, S, R, D;
3773     output reg Q;
3774     always @* begin
3775         if (R == 1)
3776             Q <= 0;
3777         else if (S == 1)
3778             Q <= 1;
3779         else if (E == 1)
3780             Q <= D;
3781     end
3782 endmodule
```

yosys> help \$\_DLATCH\_NNO\_

A negative enable D-type latch with negative polarity reset.

```
Truth table:  E R D | Q
              -----+----
              - 0 - | 0
              0 - d | d
              - - - | q
```

Simulation model (verilog)

Listing 9.239: simcells.v

```
3381 module \$_DLATCH_NNO_ (E, R, D, Q);
3382     input E, R, D;
3383     output reg Q;
3384     always @* begin
3385         if (R == 0)
3386             Q <= 0;
3387         else if (E == 0)
3388             Q <= D;
3389     end
3390 endmodule
```

yosys> help \$\_DLATCH\_NN1\_

A negative enable D-type latch with negative polarity set.

```
Truth table:  E R D | Q
              -----+----
```

(continues on next page)

(continued from previous page)

```

- 0 - | 1
0 - d | d
- - - | q

```

Simulation model (verilog)

Listing 9.240: simcells.v

```

3405 module \$_DLATCH_NN1_ (E, R, D, Q);
3406     input E, R, D;
3407     output reg Q;
3408     always @* begin
3409         if (R == 0)
3410             Q <= 1;
3411         else if (E == 0)
3412             Q <= D;
3413     end
3414 endmodule

```

yosys&gt; help \$\_DLATCH\_NP0\_

A negative enable D-type latch with positive polarity reset.

```

Truth table:   E R D | Q
              -----+---
                - 1 - | 0
                0 - d | d
                - - - | q

```

Simulation model (verilog)

Listing 9.241: simcells.v

```

3429 module \$_DLATCH_NP0_ (E, R, D, Q);
3430     input E, R, D;
3431     output reg Q;
3432     always @* begin
3433         if (R == 1)
3434             Q <= 0;
3435         else if (E == 0)
3436             Q <= D;
3437     end
3438 endmodule

```

yosys&gt; help \$\_DLATCH\_NP1\_

A negative enable D-type latch with positive polarity set.

```

Truth table:   E R D | Q
              -----+---
                - 1 - | 1
                0 - d | d
                - - - | q

```

Simulation model (verilog)

Listing 9.242: simcells.v

```

3453 module \$_DLATCH_NP1_ (E, R, D, Q);
3454     input E, R, D;
3455     output reg Q;
3456     always @* begin
3457         if (R == 1)
3458             Q <= 1;
3459         else if (E == 0)
3460             Q <= D;
3461     end
3462 endmodule

```

yosys> help \$\_DLATCH\_N\_

A negative enable D-type latch.

```

Truth table:   E D | Q
              -----+----
                0 d | d
                - - | q

```

Simulation model (verilog)

Listing 9.243: simcells.v

```

3338 module \$_DLATCH_N_ (E, D, Q);
3339     input E, D;
3340     output reg Q;
3341     always @* begin
3342         if (E == 0)
3343             Q <= D;
3344     end
3345 endmodule

```

yosys> help \$\_DLATCH\_PNO\_

A positive enable D-type latch with negative polarity reset.

```

Truth table:   E R D | Q
              -----+----
                - 0 - | 0
                1 - d | d
                - - - | q

```

Simulation model (verilog)

Listing 9.244: simcells.v

```

3477 module \$_DLATCH_PNO_ (E, R, D, Q);
3478     input E, R, D;
3479     output reg Q;
3480     always @* begin
3481         if (R == 0)
3482             Q <= 0;

```

(continues on next page)

(continued from previous page)

```

3483     else if (E == 1)
3484         Q <= D;
3485     end
3486 endmodule

```

yosys> help \$\_DLATCH\_PN1\_

A positive enable D-type latch with negative polarity set.

```

Truth table:   E R D | Q
               -----+---
                - 0 - | 1
                1 - d | d
                - - - | q

```

Simulation model (verilog)

Listing 9.245: simcells.v

```

3501 module \$_DLATCH_PN1_ (E, R, D, Q);
3502     input E, R, D;
3503     output reg Q;
3504     always @* begin
3505         if (R == 0)
3506             Q <= 1;
3507         else if (E == 1)
3508             Q <= D;
3509     end
3510 endmodule

```

yosys> help \$\_DLATCH\_PPO\_

A positive enable D-type latch with positive polarity reset.

```

Truth table:   E R D | Q
               -----+---
                - 1 - | 0
                1 - d | d
                - - - | q

```

Simulation model (verilog)

Listing 9.246: simcells.v

```

3525 module \$_DLATCH_PPO_ (E, R, D, Q);
3526     input E, R, D;
3527     output reg Q;
3528     always @* begin
3529         if (R == 1)
3530             Q <= 0;
3531         else if (E == 1)
3532             Q <= D;
3533     end
3534 endmodule

```

```
yosys> help $_DLATCH_PP1_
```

A positive enable D-type latch with positive polarity set.

```
Truth table:   E R D | Q
               -----+----
                 - 1 - | 1
                 1 - d | d
                 - - - | q
```

Simulation model (verilog)

Listing 9.247: simcells.v

```
3549 module \$_DLATCH_PP1_ (E, R, D, Q);
3550     input E, R, D;
3551     output reg Q;
3552     always @* begin
3553         if (R == 1)
3554             Q <= 1;
3555         else if (E == 1)
3556             Q <= D;
3557     end
3558 endmodule
```

```
yosys> help $_DLATCH_P_
```

A positive enable D-type latch.

```
Truth table:   E D | Q
               -----+----
                 1 d | d
                 - - | q
```

Simulation model (verilog)

Listing 9.248: simcells.v

```
3359 module \$_DLATCH_P_ (E, D, Q);
3360     input E, D;
3361     output reg Q;
3362     always @* begin
3363         if (E == 1)
3364             Q <= D;
3365     end
3366 endmodule
```

```
yosys> help $_SR_NN_
```

A set-reset latch with negative polarity SET and negative polarity RESET.

```
Truth table:   S R | Q
               -----+----
                 - 0 | 0
                 0 - | 1
                 - - | q
```

Simulation model (verilog)

Listing 9.249: simcells.v

```

497 module \$_SR_NN_ (S, R, Q);
498     input S, R;
499     output reg Q;
500     always @* begin
501         if (R == 0)
502             Q <= 0;
503         else if (S == 0)
504             Q <= 1;
505     end
506 endmodule

```

yosys> help \$\_SR\_NP\_

A set-reset latch with negative polarity SET and positive polarity RESET.

```

Truth table:   S R | Q
               -----+----
                - 1 | 0
                0 - | 1
                - - | q

```

Simulation model (verilog)

Listing 9.250: simcells.v

```

521 module \$_SR_NP_ (S, R, Q);
522     input S, R;
523     output reg Q;
524     always @* begin
525         if (R == 1)
526             Q <= 0;
527         else if (S == 0)
528             Q <= 1;
529     end
530 endmodule

```

yosys> help \$\_SR\_PN\_

A set-reset latch with positive polarity SET and negative polarity RESET.

```

Truth table:   S R | Q
               -----+----
                - 0 | 0
                1 - | 1
                - - | q

```

Simulation model (verilog)

Listing 9.251: simcells.v

```

545 module \$_SR_PN_ (S, R, Q);
546     input S, R;

```

(continues on next page)

(continued from previous page)

```

547     output reg Q;
548     always @* begin
549         if (R == 0)
550             Q <= 0;
551         else if (S == 1)
552             Q <= 1;
553     end
554 endmodule

```

yosys> help \$\_SR\_PP\_

A set-reset latch with positive polarity SET and positive polarity RESET.

```

Truth table:   S R | Q
              -----+----
                - 1 | 0
                1 - | 1
                - - | q

```

Simulation model (verilog)

Listing 9.252: simcells.v

```

569 module \$_SR_PP_ (S, R, Q);
570     input S, R;
571     output reg Q;
572     always @* begin
573         if (R == 1)
574             Q <= 0;
575         else if (S == 1)
576             Q <= 1;
577     end
578 endmodule

```

## 9.2.5 Other gate-level cells

Other gate-level cells

yosys> help \$\_TBUF\_

A tri-state buffer.

```

Truth table:   A E | Y
              -----+----
                a 1 | a
                - 0 | z

```

Simulation model (verilog)

Listing 9.253: simcells.v

```

473 module \$_TBUF_ (A, E, Y);
474     input A, E;
475     output Y;

```

(continues on next page)

(continued from previous page)

```
476     assign Y = E ? A : 1'bz;  
477 endmodule
```

## 9.3 Cell properties

### is\_evaluable

These cells are able to be used in conjunction with the *eval* command. Some passes, such as *opt\_expr*, may also be able to perform additional optimizations on cells which are evaluable.

### x-aware

Some passes will treat these cells as the non 'x' aware cell. For example, during synthesis *\$eqx* will typically be treated as *\$eq*.

### x-output

These cells can produce 'x' output even if all inputs are defined. For example, a *\$div* cell with divisor (B) equal to zero has undefined output.

Refer to the propindex for the list of cells with a given property.



## COMMAND LINE REFERENCE

```

Usage:
  ./yosys [OPTION...] [<infile> [...]]

operation options:
  -b, --backend <backend>      use <backend> for the output file specified on the
↳command line
  -f, --frontend <frontend>    use <frontend> for the input files on the command line
  -s, --scriptfile <scriptfile>
                                execute the commands in <scriptfile>
  -c, --tcl-scriptfile <tcl_scriptfile>
                                execute the commands in the TCL <tcl_scriptfile> (see
↳'help tcl' for details)
  -C, --tcl-interactive         enters TCL interactive shell mode
  -p, --commands <commands>   execute <commands> (to chain commands, separate them
↳with semicolon + whitespace: 'cmd1; cmd2')
  -r, --top <top>              elaborate the specified HDL <top> module
  -m, --plugin <plugin>        load the specified <plugin> module
  -D, --define <define>[=<value>]
                                set the specified Verilog define to <value> if supplied
↳via command "read -define"
  -S, --synth                   shortcut for calling the "synth" command, a default
↳script for transforming the Verilog input to a gate-level netlist. For example: yosys -
↳o output.blif -S input.v For more complex synthesis jobs it is recommended to use the
↳read_* and write_* commands in a script file instead of specifying input and output
↳files on the command line.
  -H                             print the command list
  -h, --help [<command>]        print this help message. If given, print help for
↳<command>.
  -V, --version                 print version information and exit
    --git-hash                  print git commit hash and exit

logging options:
  -Q                             suppress printing of banner (copyright, disclaimer,
↳version)
  -T                             suppress printing of footer (log hash, version, timing
↳statistics)
    --no-version                suppress writing out Yosys version anywhere excluding -V,
↳--version
  -q, --quiet                   quiet operation. Only write warnings and error messages
↳to console. Use this option twice to also quiet warning messages

```

(continues on next page)

(continued from previous page)


```

-v, --verbose <level>          print log headers up to <level> to the console. Implies -
↳q for everything except the 'End of script.' message.
-t, --timestamp                annotate all log messages with a time stamp
-d, --detailed-timing         print more detailed timing stats at exit
-l, --logfile <logfile>      write log messages to <logfile>
-L, --line-buffered-logfile <logfile>
                               like -l but open <logfile> in line buffered mode
-o, --outfile <outfile>       write the design to <outfile> on exit
-P, --dump-design <header_id>[:<filename>]
                               dump the design when printing the specified log header
↳to a file. yosys_dump_<header_id>.il is used as filename if none is specified. Use 'ALL
↳' as <header_id> to dump at every header.
-W, --warning-as-warning <regex>
                               print a warning for all log messages matching <regex>
-w, --warning-as-message <regex>
                               if a warning message matches <regex>, it is printed as
↳regular message instead
-e, --warning-as-error <regex>
                               if a warning message matches <regex>, it is printed as
↳error message instead
-E, --deps-file <depsfile>    write a Makefile dependencies file <depsfile> with input
↳and output file names

developer options:
-X, --trace                    enable tracing of core data structure changes. for
↳debugging
-M, --randomize-pointers      will slightly randomize allocated pointer addresses. for
↳debugging
  --autoidx <idx>             start counting autoidx up from <seed>, similar effect to
↳--hash-seed
  --hash-seed <seed>          mix up hashing values with <seed>, for extreme
↳optimization and testing
-A, --abort                    will call abort() at the end of the script. for debugging
-x, --experimental <feature> do not print warnings for the experimental <feature>
-g, --debug                    globally enable debug log messages
  --perffile <perffile>      write a JSON performance log to <perffile>

```

## 10.1 Command reference

 **Todo**

Can we warn on command groups that aren't included anywhere?

List of all commands

### 10.1.1 Yosys environment variables

#### HOME

Yosys command history is stored in `$HOME/.yosys_history`. Graphics (from `show` and `viz` commands) will output to this directory by default. This environment variable is also used in some cases for resolving filenames with `~`.

#### PATH

May be used in OpenBSD builds for finding the location of Yosys executable.

#### TMPDIR

Used for storing temporary files.

#### ABC

When compiling Yosys with out-of-tree ABC using `ABCEXTERNAL`, this variable can be used to override the external ABC executable.

#### YOSYS\_NOVERIFIC

If Yosys was built with Verific, this environment variable can be used to temporarily disable Verific support.

#### YOSYS\_COVER\_DIR and YOSYS\_COVER\_FILE

When using code coverage, these environment variables control the output file name/location.

#### YOSYS\_ABORT\_ON\_LOG\_ERROR

Can be used for debugging Yosys internals. Setting it to 1 causes `abort()` to be called when Yosys terminates with an error message.

### 10.1.2 Reading input files

#### connect\_rpc - connect to RPC frontend

```
yosys> help connect_rpc
```

```
connect_rpc -exec <command> [args...]
```

```
connect_rpc -path <path>
```

Load modules using an out-of-process frontend.

```
-exec <command> [args...]  
connect to <command> with arguments [args...]. send requests  
↔ on stdin, read responses from stdout.
```

```
-path <path>  
connect to Unix domain socket at <path>. (Unix)  
connect to bidirectional byte-type named pipe at <path>.  
↔ (Windows)
```

A simple JSON-based, newline-delimited protocol is used for communicating with the frontend. Yosys requests data from the frontend by sending exactly 1 line of JSON. Frontend responds with data or error message by replying with exactly 1 line of JSON as well.

```
-> {"method": "modules"}
<- {"modules": ["<module-name>", ...]}
<- {"error": "<error-message>"}
    request for the list of modules that can be derived by this frontend.
    the 'hierarchy' command will call back into this frontend if a cell
    with type <module-name> is instantiated in the design.
```

```
-> {"method": "derive", "module": "<module-name>", "parameters": {
    "<param-name>": {"type": "[unsigned|signed|string|real]",
        "value": "<param-value>"}, ...}}
<- {"frontend": "[rtlil|verilog|...]", "source": "<source>"}
<- {"error": "<error-message>"}
    request for the module <module-name> to be derived for a specific set of
    parameters. <param-name> starts with \ for named parameters, and with $
    for unnamed parameters, which are numbered starting at 1.<param-value>
    for integer parameters is always specified as a binary string of
    unlimited precision. the <source> returned by the frontend is
    hygienically parsed by a built-in Yosys <frontend>, allowing the RPC
    frontend to return any convenient representation of the module. the
    derived module is cached, so the response should be the same whenever the
    same set of parameters is provided.
```

#### Note

Help text automatically generated from frontends/rpc/rpc\_frontend.cc:348

## read - load HDL designs

```
yosys> help read
```

```
read {-vlog95|-vlog2k|-sv2005|-sv2009|-sv2012|-sv|-formal} <verilog-file>..
```

Load the specified Verilog/SystemVerilog files. (Full SystemVerilog support is only available via Verific.)

Additional `-D<macro>[=<value>]` options may be added after the option indicating the language version (and before file names) to set additional verilog defines.

```
read {-liberty} <liberty-file>..
```

Load the specified Liberty files.

```
-lib
```

only create empty blackbox modules

```
read {-f|-F} <command-file>
```

Load and execute the specified command file.  
Check verilog command for more information about supported commands in file.

```
read -define <macro>[=<value>]..
```

Set global Verilog/SystemVerilog defines.

```
read -undef <macro>..
```

Unset global Verilog/SystemVerilog defines.

```
read -incdir <directory>
```

Add directory to global Verilog/SystemVerilog include directories.

```
read -verific
```

```
read -noverific
```

Subsequent calls to 'read' will either use or not use Verific. Calling 'read' with -verific will result in an error on Yosys binaries that are built without Verific support. The default is to use Verific if it is available.

#### Note

Help text automatically generated from `frontends/verilog/verilog.cc:4409`

### read\_aiger - read AIGER file

```
yosys> help read_aiger
```

```
read_aiger [options] [filename]
```

Load module from an AIGER file into the current design.

```
-module_name <module_name> module to be created (default: <filename>)
```

```
-clk_name <wire_name> specified, AIGER latches to be transformed into $_  
↳DFF_P_ cells  
clocked by wire of this name. otherwise, $_FF_ cells  
↳will be used
```

```
-map <filename> read file with port and latch symbols
```

```
-wideports merge ports that match the pattern 'name[int]' into a  
↳single  
multi-bit port 'name'
```

```
-xaiger read XAIGER extensions
```

**Note**

Help text automatically generated from `frontends/aiger/aigerparse.cc:989`

**read\_blif - read BLIF file**

```
yosys> help read_blif
```

```
read_blif [options] [filename]
```

Load modules from a BLIF file into the current design.

```
-sop
```

Create \$sop cells instead of \$lut cells

```
-wideports
```

Merge ports that match the pattern 'name[int]' into a single multi-bit port 'name'.

**Note**

Help text automatically generated from `frontends/blif/blifparse.cc:650`

**read\_json - read JSON file**

```
yosys> help read_json
```

```
read_json [filename]
```

Load modules from a JSON file into the current design See "help write\_json" for a description of the file format.

**Note**

Help text automatically generated from `frontends/json/jsonparse.cc:626`

**read\_liberty - read cells from liberty file**

```
yosys> help read_liberty
```

```
read_liberty [filename]
```

Read cells from liberty file as modules into current design.

```
-lib
```

only create empty blackbox modules

```
-wb
```

mark imported cells as whiteboxes

|                                              |                                                                                                                                                                                                       |
|----------------------------------------------|-------------------------------------------------------------------------------------------------------------------------------------------------------------------------------------------------------|
| <code>-nooverwrite</code>                    | ignore re-definitions of modules. (the default behavior is to create an error message if the existing module is not a blackbox module, and overwrite the existing module if it is a blackbox module.) |
| <code>-overwrite</code>                      | overwrite existing modules with the same name                                                                                                                                                         |
| <code>-ignore_miss_func</code>               | ignore cells with missing function specification of outputs                                                                                                                                           |
| <code>-ignore_miss_dir</code>                | ignore cells with a missing or invalid direction specification on a pin                                                                                                                               |
| <code>-ignore_miss_data_latch</code>         | ignore latches with missing data and/or enable pins                                                                                                                                                   |
| <code>-ignore_buses</code>                   | ignore cells with bus interfaces (wide ports)                                                                                                                                                         |
| <code>-setattr &lt;attribute name&gt;</code> | set specified attribute (to the value 1) on all loaded modules                                                                                                                                        |
| <code>-unit_delay</code>                     | import combinational timing arcs under the unit delay model                                                                                                                                           |

**Note**

Help text automatically generated from frontends/liberty/liberty.cc:482

**read\_rtlil - read modules from RTLIL file**

```
yosys> help read_rtlil
```

```
read_rtlil [filename]
```

Load modules from an RTLIL file to the current design. (RTLIL is a text representation of a design in yosys's internal format.)

|                           |                                                                                                                                                                                                       |
|---------------------------|-------------------------------------------------------------------------------------------------------------------------------------------------------------------------------------------------------|
| <code>-nooverwrite</code> | ignore re-definitions of modules. (the default behavior is to create an error message if the existing module is not a blackbox module, and overwrite the existing module if it is a blackbox module.) |
| <code>-overwrite</code>   | overwrite existing modules with the same name                                                                                                                                                         |

|                        |                                                                                                                                                                                                                                  |
|------------------------|----------------------------------------------------------------------------------------------------------------------------------------------------------------------------------------------------------------------------------|
| <code>-lib</code>      | only create empty blackbox modules                                                                                                                                                                                               |
| <code>-legalize</code> | prevent semantic errors (e.g. reference to unknown wire,<br>↪ redefinition of wire/cell)<br>by deterministically rewriting the input into something<br>↪ valid. Useful when using<br>fuzzing to generate random but valid RTLIL. |

**Note**

Help text automatically generated from `frontends/rtlil/rtlil_frontend.cc:880`

**read\_verilog - read modules from Verilog file**

yosys> help read\_verilog

`read_verilog [options] [filename]`

Load modules from a Verilog file to the current design. A large subset of Verilog-2005 is supported.

|                              |                                                                                                                                                                       |
|------------------------------|-----------------------------------------------------------------------------------------------------------------------------------------------------------------------|
| <code>-sv</code>             | enable support for SystemVerilog features. (only a<br>↪ small subset<br>of SystemVerilog is supported)                                                                |
| <code>-formal</code>         | enable support for SystemVerilog assertions and some<br>↪ Yosys extensions<br>replace the implicit <code>-D SYNTHESIS</code> with <code>-D FORMAL</code>              |
| <code>-nosynthesis</code>    | don't add implicit <code>-D SYNTHESIS</code>                                                                                                                          |
| <code>-noassert</code>       | ignore <code>assert()</code> statements                                                                                                                               |
| <code>-noassume</code>       | ignore <code>assume()</code> statements                                                                                                                               |
| <code>-norestrict</code>     | ignore <code>restrict()</code> statements                                                                                                                             |
| <code>-assume-asserts</code> | treat all <code>assert()</code> statements like <code>assume()</code> statements                                                                                      |
| <code>-assert-assumes</code> | treat all <code>assume()</code> statements like <code>assert()</code> statements                                                                                      |
| <code>-nodisplay</code>      | suppress output from display system tasks ( <code>\$display et.<br/>↪ al</code> ).<br>This does not affect the output from a later <code>'sim'<br/>↪ command</code> . |
| <code>-debug</code>          | alias for <code>-dump_ast1 -dump_ast2 -dump_vlog1 -dump_vlog2<br/>↪ -yydebug</code>                                                                                   |

|                           |                                                                                                                                                                                                                                                                                                                                                                                                                                                                                                                                          |
|---------------------------|------------------------------------------------------------------------------------------------------------------------------------------------------------------------------------------------------------------------------------------------------------------------------------------------------------------------------------------------------------------------------------------------------------------------------------------------------------------------------------------------------------------------------------------|
| <code>-dump_ast1</code>   | dump abstract syntax tree (before simplification)                                                                                                                                                                                                                                                                                                                                                                                                                                                                                        |
| <code>-dump_ast2</code>   | dump abstract syntax tree (after simplification)                                                                                                                                                                                                                                                                                                                                                                                                                                                                                         |
| <code>-no_dump_ptr</code> | do not include hex memory addresses in dump (easier to<br>↪diff dumps)                                                                                                                                                                                                                                                                                                                                                                                                                                                                   |
| <code>-dump_vlog1</code>  | dump ast as Verilog code (before simplification)                                                                                                                                                                                                                                                                                                                                                                                                                                                                                         |
| <code>-dump_vlog2</code>  | dump ast as Verilog code (after simplification)                                                                                                                                                                                                                                                                                                                                                                                                                                                                                          |
| <code>-dump_rtlil</code>  | dump generated RTLIL netlist                                                                                                                                                                                                                                                                                                                                                                                                                                                                                                             |
| <code>-yydebug</code>     | enable parser debug output                                                                                                                                                                                                                                                                                                                                                                                                                                                                                                               |
| <code>-nolatches</code>   | usually latches are synthesized into logic loops<br>this option prohibits this and sets the output to 'x'<br>in what would be the latches hold condition<br><br>this behavior can also be achieved by setting the<br>'nolatches' attribute on the respective module or<br>always block.                                                                                                                                                                                                                                                  |
| <code>-nomem2reg</code>   | under certain conditions memories are converted to<br>↪registers<br>early during simplification to ensure correct handling<br>↪of<br>complex corner cases. this option disables this<br>↪behavior.<br><br>this can also be achieved by setting the 'nomem2reg'<br>attribute on the respective module or register.<br><br>This is potentially dangerous. Usually the front-end<br>↪has good<br>reasons for converting an array to a list of registers.<br>Prohibiting this step will likely result in incorrect<br>↪synthesis<br>results. |
| <code>-mem2reg</code>     | always convert memories to registers. this can also be<br>achieved by setting the 'mem2reg' attribute on the<br>↪respective<br>module or register.                                                                                                                                                                                                                                                                                                                                                                                       |
| <code>-nomeminit</code>   | do not infer \$meminit cells and instead convert<br>↪initialized<br>memories to registers directly in the front-end.                                                                                                                                                                                                                                                                                                                                                                                                                     |

|                           |                                                                                                                                                                                                                                          |
|---------------------------|------------------------------------------------------------------------------------------------------------------------------------------------------------------------------------------------------------------------------------------|
| <code>-ppdump</code>      | dump Verilog code after pre-processor                                                                                                                                                                                                    |
| <code>-nopp</code>        | do not run the pre-processor                                                                                                                                                                                                             |
| <code>-nodpi</code>       | disable DPI-C support                                                                                                                                                                                                                    |
| <code>-noblackbox</code>  | do not automatically add a <code>(* blackbox *)</code> attribute to<br>↳an<br>empty module.                                                                                                                                              |
| <code>-lib</code>         | only create empty blackbox modules. This implies -<br>↳DBLACKBOX.<br>modules with the <code>(* whitebox *)</code> attribute will be<br>↳preserved.<br><code>(* lib_whitebox *)</code> will be treated like <code>(* whitebox *)</code> . |
| <code>-nowb</code>        | delete <code>(* whitebox *)</code> and <code>(* lib_whitebox *)</code> attributes<br>↳from<br>all modules.                                                                                                                               |
| <code>-specify</code>     | parse and import specify blocks                                                                                                                                                                                                          |
| <code>-noopt</code>       | don't perform basic optimizations (such as const<br>↳folding) in the<br>high-level front-end.                                                                                                                                            |
| <code>-icells</code>      | interpret cell types starting with '\$' as internal cell<br>↳types                                                                                                                                                                       |
| <code>-pwires</code>      | add a wire for each module parameter                                                                                                                                                                                                     |
| <code>-nooverwrite</code> | ignore re-definitions of modules. (the default behavior<br>↳is to<br>create an error message if the existing module is not a<br>↳black box<br>module, and overwrite the existing module otherwise.)                                      |
| <code>-overwrite</code>   | overwrite existing modules with the same name                                                                                                                                                                                            |
| <code>-defer</code>       | only read the abstract syntax tree and defer actual<br>↳compilation<br>to a later 'hierarchy' command. Useful in cases where<br>↳the default<br>parameters of modules yield invalid or not<br>↳synthesizable code.                       |
| <code>-noautowire</code>  | make the default of <code>`default_nettype</code> be "none" instead<br>↳of "wire".                                                                                                                                                       |

|                                                      |                                                                                           |
|------------------------------------------------------|-------------------------------------------------------------------------------------------|
| <code>-setattr &lt;attribute&gt; &lt;name&gt;</code> | specified attribute (to the value 1) on all loaded modules                                |
| <code>-Dname[=definition]</code>                     | define the preprocessor symbol 'name' and set its optional value 'definition'             |
| <code>-Idir</code>                                   | add 'dir' to the directories which are used when searching include files                  |
| <code>-relativeshare</code>                          | use paths relative to share directory for source locations where possible (experimental). |

The command 'verilog\_defaults' can be used to register default options for subsequent calls to 'read\_verilog'.

Note that the Verilog frontend does a pretty good job of processing valid verilog input, but has not very good error reporting. It generally is recommended to use a simulator (for example Icarus Verilog) for checking the syntax of the code, rather than to rely on read\_verilog for that.

Depending on if read\_verilog is run in -formal mode, either the macro SYNTHESIS or FORMAL is defined automatically, unless -nosynthesis is used. In addition, read\_verilog always defines the macro YOSYS.

See the Yosys README file for a list of non-standard Verilog features supported by the Yosys Verilog front-end.

#### Note

Help text automatically generated from frontends/verilog/verilog\_frontend.cc:75

### read\_verilog\_file\_list - parse a Verilog file list

```
yosys> help read_verilog_file_list
```

```
read_verilog_file_list [options]
```

Parse a Verilog file list, and pass the list of Verilog files to read\_verilog command

|                                |                                                                                                                |
|--------------------------------|----------------------------------------------------------------------------------------------------------------|
| <code>-F file_list_path</code> | File list file contains list of Verilog files to be parsed, any path is treated relative to the file list file |
|--------------------------------|----------------------------------------------------------------------------------------------------------------|

```
-f file_list_path File list file contains list of Verilog files to be
                    parsed, any path is
                    treated relative to current working directory
```

**Note**

Help text automatically generated from `frontends/verilog/verilog_frontend.cc:751`

**read\_xaiger2 - (experimental) read XAIGER file**

```
yosys> help read_xaiger2
```

**Warning**

This command is experimental

```
read_xaiger2 -sc_mapping [options] <filename>
```

Read a standard cell mapping from a XAIGER file into an existing module.

```
-module_name <name> name of the target module
```

```
-map2 <filename> read file with symbol information
```

**Note**

Help text automatically generated from `frontends/aiger2/xaiger.cc:41`

**verific - load Verilog and VHDL designs using Verific**

```
yosys> help verific
```

```
verific [-work <libname>] {-sv|-vhdl|...} <hdl-file>
```

Load the specified Verilog/SystemVerilog/VHDL file into the specified library.  
(default library when `-work` is not present: "work")

```
verific [-L <libname>] {-sv|-vhdl|...} <hdl-file>
```

Look up external definitions in the specified library.  
(`-L` may be used more than once)

```
verific -set-error <msg_id>..
```

```
verific -set-warning <msg_id>..
```

```
verific -set-info <msg_id>..
```

```
verific -set-ignore <msg_id>..
```

Set message severity. <msg\_id> is the string in square brackets when a message is printed, such as VERI-1209. Also errors, warnings, infos and comments could be used to set new severity for all messages of certain type.

```
verific -import [options] <top>..
```

Elaborate the design for the specified top modules or configurations, import to Yosys and reset the internal state of Verific.

Import options:

|                                      |                                                                                                                                                                                                                                                                                                                                              |
|--------------------------------------|----------------------------------------------------------------------------------------------------------------------------------------------------------------------------------------------------------------------------------------------------------------------------------------------------------------------------------------------|
| <code>-all</code>                    | Elaborate all modules, not just the hierarchy below the given top modules. With this option the list of modules to import is optional.                                                                                                                                                                                                       |
| <code>-gates</code>                  | Create a gate-level netlist.                                                                                                                                                                                                                                                                                                                 |
| <code>-flatten</code>                | Flatten the design in Verific before importing.                                                                                                                                                                                                                                                                                              |
| <code>-extnets</code>                | Resolve references to external nets by adding module ports as needed.                                                                                                                                                                                                                                                                        |
| <code>-no-split-complex-ports</code> | Complex ports (structs or arrays) are not split and remain packed as a single port.                                                                                                                                                                                                                                                          |
| <code>-fullinit</code>               | Keep all register initializations, even those for non-FF registers.                                                                                                                                                                                                                                                                          |
| <code>-cells</code>                  | Import all cell definitions from Verific loaded libraries even if they are unused in design. Useful with "-edif" and "-liberty" option.                                                                                                                                                                                                      |
| <code>-chparam name value</code>     | Elaborate the specified top modules (all modules when -all given) using this parameter value. Modules on which this parameter does not exist will cause Verific to produce a VERI-1928 or VHDL-1676 message. This option can be specified multiple times to override multiple parameters. String values must be passed in double quotes ("). |
| <code>-v, -vv</code>                 | Verbose log messages. (-vv is even more verbose than -v.)                                                                                                                                                                                                                                                                                    |

`-pp <filename>` Pretty print design after elaboration to specified file.

The following additional import options are useful for debugging the Verific bindings (for Yosys and/or Verific developers):

`-k` Keep going after an unsupported verific primitive is found. The unsupported primitive is added as blockbox module to the design. This will also add all SVA related cells to the design parallel to the checker logic inferred by it.

`-V` Import Verific netlist as-is without translating to Yosys cell types.

`-n` Keep all Verific names on instances and nets. By default only user-declared names are preserved.

`-d <dump_file>` Dump the Verific netlist as a verilog file.

`verific [-work <libname>] -pp [options] <filename> [<module>]..`

Pretty print design (or just module) to the specified file from the specified library. (default library when `-work` is not present: "work")

Pretty print options:

`-verilog` Save output for Verilog/SystemVerilog design modules (default).

`-vhdl` Save output for VHDL design units.

`verific -cfg [<name> [<value>]]`

Get/set Verific runtime flags.

Use YosysHQ Tabby CAD Suite if you need Yosys+Verific.  
<https://www.yosyshq.com/>

Contact [office@yosyshq.com](mailto:office@yosyshq.com) for free evaluation binaries of YosysHQ Tabby CAD Suite.

#### Note

Help text automatically generated from `frontends/verific/verific.cc:3106`

**verilog\_defaults - set default options for read\_verilog**

```
yosys> help verilog_defaults
```

```
verilog_defaults -add [options]
```

Add the specified options to the list of default options to read\_verilog.

```
verilog_defaults -clear
```

Clear the list of Verilog default options.

```
verilog_defaults -push
```

```
verilog_defaults -pop
```

Push or pop the list of default options to a stack. Note that -push does not imply -clear.

**Note**

Help text automatically generated from frontends/verilog/verilog\_frontend.cc:581

**verilog\_defines - define and undefine verilog defines**

```
yosys> help verilog_defines
```

```
verilog_defines [options]
```

Define and undefine verilog preprocessor macros.

```
-Dname[=definition] define the preprocessor symbol 'name' and set its
                    ↳ optional value
                    'definition'
```

```
-Uname[=definition] undefine the preprocessor symbol 'name'
```

```
-reset clear list of defined preprocessor symbols
```

```
-list list currently defined preprocessor symbols
```

**Note**

Help text automatically generated from frontends/verilog/verilog\_frontend.cc:639

**10.1.3 Writing output files****dump - print parts of the design in RTLIL format**

```
yosys> help dump
```

dump [options] [selection]

Write the selected parts of the design to the console or specified file in RTLIL format.

- m           also dump the module headers, even if only parts of a `single` module is selected
- n           only dump the module headers if the entire module is `selected`
- o <filename> write to the specified file.
- a <filename> like -outfile but append instead of overwrite

**Note**

Help text automatically generated from `backends/rtlil/rtlil_backend.cc:460`

### jny - write design and metadata

yosys> help jny

jny [options] [selection]

Write JSON netlist metadata for the current design

- o <filename> write to the specified file.
- no-connections Don't include connection information in the netlist `output`.
- no-attributes Don't include attributed information in the netlist `output`.
- no-properties Don't include property information in the netlist `output`.

See 'help write\_jny' for a description of the JSON format used.

**Note**

Help text automatically generated from `backends/jny/jny.cc:480`

**json - write design in JSON format**

yosys&gt; help json

json [options] [selection]

Write a JSON netlist of all selected objects.

|               |                                                                                                                             |
|---------------|-----------------------------------------------------------------------------------------------------------------------------|
| -o <filename> | write to the specified file.                                                                                                |
| -aig          | also include AIG models for the different gate types                                                                        |
| -compat-int   | emit 32-bit or smaller fully-defined parameter values<br>↳ directly<br>as JSON numbers (for compatibility with old parsers) |
| -noscopeinfo  | don't include \$scopeinfo cells in the output                                                                               |

See 'help write\_json' for a description of the JSON format used.

**Note**

Help text automatically generated from backends/json/json.cc:639

**write\_aiger - write design to AIGER file**

yosys&gt; help write\_aiger

write\_aiger [options] [filename]

Write the current design to an AIGER file. The design must be flattened and must not contain any cell types except \$\_AND\_, \$\_NOT\_, simple FF types, \$assert and \$assume cells, and \$initstate cells.

\$assert and \$assume cells are converted to AIGER bad state properties and invariant constraints.

|          |                                                                                              |
|----------|----------------------------------------------------------------------------------------------|
| -ascii   | write ASCII version of AIGER format                                                          |
| -zinit   | convert FFs to zero-initialized FFs, adding additional<br>↳ inputs for<br>uninitialized FFs. |
| -miter   | design outputs are AIGER bad state properties                                                |
| -symbols | include a symbol table in the generated AIGER file                                           |
| -no-sort | don't sort input/output ports                                                                |

|                                      |                                                                                                                                                                                                                |
|--------------------------------------|----------------------------------------------------------------------------------------------------------------------------------------------------------------------------------------------------------------|
| <code>-map &lt;filename&gt;</code>   | write an extra file with port and latch symbols                                                                                                                                                                |
| <code>-vmap &lt;filename&gt;</code>  | like <code>-map</code> , but more verbose                                                                                                                                                                      |
| <code>-no-startoffset</code>         | make indexes zero based, enable using map files with<br>↳smt solvers.                                                                                                                                          |
| <code>-ywmap &lt;filename&gt;</code> | write a map file for conversion to and from yosys<br>↳witness traces,<br>also allows for mapping AIGER bad-state properties and<br>↳invariant<br>constraints back to individual formal properties by<br>↳name. |
| <code>-I, -O, -B, -L</code>          | If the design contains no input/output/assert/flip-flop<br>↳then create one<br>dummy input/output/bad_state-pin or latch to make the<br>↳tools reading the<br>AIGER file happy.                                |

**Note**

Help text automatically generated from `backends/aiger/aiger.cc:893`

**write\_aiger2 - (experimental) write design to AIGER file**

yosys> help write\_aiger2

**Warning**

This command is experimental

`write_aiger2 [options] [filename]`

Write the selected module to an AIGER file.

|                       |                                                                                                                         |
|-----------------------|-------------------------------------------------------------------------------------------------------------------------|
| <code>-strash</code>  | perform structural hashing while writing                                                                                |
| <code>-flatten</code> | allow descending into submodules and write a flattened<br>↳view of the design<br>hierarchy starting at the selected top |

This command is able to ingest all combinational cells except for:

`$neg, $slice, $lut, $sop, $shl, $shr, $sshl, $sshr, $shift, $shiftx,  
$eqx, $nex, $add, $sub, $mul, $div, $mod, $divfloor, $modfloor, $pow,`

(continues on next page)

(continued from previous page)

```
$concat, $macc, $bweqx, $demux, $lcu, $alu, $macc_v2,
```

And all combinational gates except for:

```
$_MUX4_, $_MUX8_, $_MUX16_,
```

### Note

Help text automatically generated from backends/aiger2/aiger.cc:1376

## write\_blif - write design to BLIF file

```
yosys> help write_blif
```

```
write_blif [options] [filename]
```

Write the current design to an BLIF file.

- top top\_module    set the specified module as design top module
- buf <cell-type> <in-port> <out-port>    use ports <out-port> of cell-type with the specified port  
↳ names for buffers
- unbuf <cell-type> <in-port> <out-port>    replace buffers with the specified name and port  
↳ names with  
↳ a .names statement that models a buffer
- true <cell-type> <out-port>
- false <cell-type> <out-port>
- undef <cell-type> <out-port>    use the specified cell types to drive nets that are  
↳ constant 1, 0, or  
↳ undefined. when '-' is used as <cell-type>, then <out-  
↳ port> specifies  
↳ the wire name to be used for the constant signal and no  
↳ cell driving  
↳ that wire is generated. when '+' is used as <cell-type>,  
↳ then <out-port>  
↳ specifies the wire name to be used for the constant  
↳ signal and a .names  
↳ statement is generated to drive the wire.
- noalias    if a net name is aliasing another net name, then by  
↳ default a net  
↳ without fanout is created that is driven by the other  
↳ net. This option  
↳ suppresses the generation of this nets without fanout.

The following options can be useful when the generated file is not going to be read by a BLIF parser but a custom tool. It is recommended not to name the output file \*.blif when any of these options are used.

|                             |                                                                                                                                                                                                                                                                                |
|-----------------------------|--------------------------------------------------------------------------------------------------------------------------------------------------------------------------------------------------------------------------------------------------------------------------------|
| <code>-icells</code>        | do not translate Yosys's internal gates to generic BLIF<br>↳ logic<br>functions. Instead create <code>.subckt</code> or <code>.gate</code> lines for<br>↳ all cells.                                                                                                           |
| <code>-gates</code>         | print <code>.gate</code> instead of <code>.subckt</code> lines for all cells that<br>↳ are not<br>instantiations of other modules from this design.                                                                                                                            |
| <code>-conn</code>          | do not generate buffers for connected wires. instead<br>↳ use the<br>non-standard <code>.conn</code> statement.                                                                                                                                                                |
| <code>-attr</code>          | use the non-standard <code>.attr</code> statement to write cell<br>↳ attributes                                                                                                                                                                                                |
| <code>-param</code>         | use the non-standard <code>.param</code> statement to write cell<br>↳ parameters                                                                                                                                                                                               |
| <code>-cname</code>         | use the non-standard <code>.cname</code> statement to write cell<br>↳ names                                                                                                                                                                                                    |
| <code>-iname, -iattr</code> | enable <code>-cname</code> and <code>-attr</code> functionality for <code>.names</code><br>↳ statements<br>(the <code>.cname</code> and <code>.attr</code> statements will be included in<br>↳ the BLIF<br>output after the truth table for the <code>.names</code> statement) |
| <code>-blackbox</code>      | write blackbox cells with <code>.blackbox</code> statement.                                                                                                                                                                                                                    |
| <code>-impltf</code>        | do not write definitions for the <code>\$true</code> , <code>\$false</code> and<br>↳ <code>\$undef</code> wires.                                                                                                                                                               |
| <code>-gatesi</code>        | write initial bit(s) with <code>.gateinit</code> for gates that<br>↳ needs to be initialized.                                                                                                                                                                                  |

**Note**

Help text automatically generated from backends/blif/blif.cc:494

**write\_btor - write design to BTOR file**

```
yosys> help write_btor
```

```
write_btor [options] [filename]
```

Write a BTOR description of the current design.

|                                      |                                                                   |
|--------------------------------------|-------------------------------------------------------------------|
| <code>-v</code>                      | Add comments and indentation to BTOR output file                  |
| <code>-s</code>                      | Output only a single bad property for all asserts                 |
| <code>-c</code>                      | Output cover properties using 'bad' statements instead of asserts |
| <code>-i &lt;filename&gt;</code>     | Create additional info file with auxiliary information            |
| <code>-x</code>                      | Output symbols for internal netnames (starting with '\$')         |
| <code>-ywmap &lt;filename&gt;</code> | Create a map file for conversion to and from Yosys witness traces |

**Note**

Help text automatically generated from backends/btor/btor.cc:1553

**write\_cxxrtl - convert design to C++ RTL simulation**

```
yosys> help write_cxxrtl
```

```
write_cxxrtl [options] [filename]
```

Write C++ code that simulates the design. The generated code requires a driver that instantiates the design, toggles its clock, and interacts with its ports.

The following driver may be used as an example for a design with a single clock driving rising edge triggered flip-flops:

```
#include "top.cc"

int main() {
    cxxrtl_design::p_top top;
    top.step();
    while (1) {
        /* user logic */
    }
}
```

(continues on next page)

(continued from previous page)

```

    top.p_clk.set(false);
    top.step();
    top.p_clk.set(true);
    top.step();
  }
}

```

Note that CXXRTL simulations, just like the hardware they are simulating, are subject to race conditions. If, in the example above, the user logic would run simultaneously with the rising edge of the clock, the design would malfunction.

This backend supports replacing parts of the design with black boxes implemented in C++. If a module marked as a CXXRTL black box, its implementation is ignored, and the generated code consists only of an interface and a factory function. The driver must implement the factory function that creates an implementation of the black box, taking into account the parameters it is instantiated with.

For example, the following Verilog code defines a CXXRTL black box interface for a synchronous debug sink:

```

(* cxxrtl_blackbox *)
module debug(...);
  (* cxxrtl_edge = "p" *) input clk;
  input en;
  input [7:0] i_data;
  (* cxxrtl_sync *) output [7:0] o_data;
endmodule

```

For this HDL interface, this backend will generate the following C++ interface:

```

struct bb_p_debug : public module {
  value<1> p_clk;
  bool posedge_p_clk() const { /* ... */ }
  value<1> p_en;
  value<8> p_i_data;
  wire<8> p_o_data;

  bool eval(performer *performer) override;
  virtual bool commit(observer &observer);
  bool commit() override;

  static std::unique_ptr<bb_p_debug>
  create(std::string name, metadata_map parameters, metadata_map attributes);
};

```

The `create` function must be implemented by the driver. For example, it could always provide an implementation logging the values to standard error stream:

```

namespace cxxrtl_design {

struct stderr_debug : public bb_p_debug {
  bool eval(performer *performer) override {

```

(continues on next page)

(continued from previous page)

```

    if (posedge_p_clk() && p_en)
        fprintf(stderr, "debug: %02x\n", p_i_data.data[0]);
    p_o_data.next = p_i_data;
    return bb_p_debug::eval(performer);
}
};

std::unique_ptr<bb_p_debug>
bb_p_debug::create(std::string name, cxxrtl::metadata_map parameters,
                  cxxrtl::metadata_map attributes) {
    return std::make_unique<stderr_debug>();
}

}

```

For complex applications of black boxes, it is possible to parameterize their port widths. For example, the following Verilog code defines a CXXRTL black box interface for a configurable width debug sink:

```

(* cxxrtl_blackbox, cxxrtl_template = "WIDTH" *)
module debug(...);
    parameter WIDTH = 8;
    (* cxxrtl_edge = "p" *) input clk;
    input en;
    (* cxxrtl_width = "WIDTH" *) input [WIDTH - 1:0] i_data;
    (* cxxrtl_width = "WIDTH" *) output [WIDTH - 1:0] o_data;
endmodule

```

For this parametric HDL interface, this backend will generate the following C++ interface (only the differences are shown):

```

template<size_t WIDTH>
struct bb_p_debug : public module {
    // ...
    value<WIDTH> p_i_data;
    wire<WIDTH> p_o_data;
    // ...
    static std::unique_ptr<bb_p_debug<WIDTH>>
        create(std::string name, metadata_map parameters, metadata_map attributes);
};

```

The `create` function must be implemented by the driver, specialized for every possible combination of template parameters. (Specialization is necessary to enable separate compilation of generated code and black box implementations.)

```

template<size_t SIZE>
struct stderr_debug : public bb_p_debug<SIZE> {
    // ...
};

template<>
std::unique_ptr<bb_p_debug<8>>

```

(continues on next page)

(continued from previous page)

```

bb_p_debug<8>::create(std::string name, cxxrtl::metadata_map parameters,
                      cxxrtl::metadata_map attributes) {
    return std::make_unique<stderr_debug<8>>();
}

```

The following attributes are recognized by this backend:

#### cxxrtl\_blackbox

only valid on modules. if specified, the module contents are ignored, and the generated code includes only the module interface and a factory function, which will be called to instantiate the module.

#### cxxrtl\_edge

only valid on inputs of black boxes. must be one of "p", "n", "a". if specified on signal `clk`, the generated code includes edge detectors `posedge\_p\_clk()` (if "p"), `negedge\_p\_clk()` (if "n"), or both (if "a"), simplifying implementation of clocked black boxes.

#### cxxrtl\_template

only valid on black boxes. must contain a space separated sequence of identifiers that have a corresponding black box parameters. for each of them, the generated code includes a `size\_t` template parameter.

#### cxxrtl\_width

only valid on ports of black boxes. must be a constant expression, which is directly inserted into generated code.

#### cxxrtl\_comb, cxxrtl\_sync

only valid on outputs of black boxes. if specified, indicates that every bit of the output port is driven, correspondingly, by combinatorial or synchronous logic. this knowledge is used for scheduling optimizations. if neither is specified, the output will be pessimistically treated as driven by both combinatorial and synchronous logic.

The following options are supported by this backend:

`-print-wire-types` `-enable-additional-debug-logging`, for pass developers.

`-header`

generate separate interface (.h) and implementation (.cc) files.  
 if specified, the backend must be called with a `filename` and `filename` of the interface is derived from filename of the `implementation`.  
 otherwise, interface and implementation are generated together.

`-namespace <ns-name>` place the generated code into namespace `<ns-name>`. if `not specified`, "cxxrtl\_design" is used.

|                                           |                                                                                                                                                                                                                                                                                         |
|-------------------------------------------|-----------------------------------------------------------------------------------------------------------------------------------------------------------------------------------------------------------------------------------------------------------------------------------------|
| <code>-print-output &lt;stream&gt;</code> | <p>print cells in the generated code direct their output<br/> ↳ to &lt;stream&gt;.<br/> must be one of "std::cout", "std::cerr". if not<br/> ↳ specified,<br/> "std::cout" is used. explicitly provided performer<br/> ↳ overrides this.</p>                                            |
| <code>-nohierarchy</code>                 | <p>use design hierarchy as-is. in most designs, a top<br/> ↳ module should be<br/> present as it is exposed through the C API and has<br/> ↳ unbuffered outputs<br/> for improved performance; it will be determined<br/> ↳ automatically if absent.</p>                                |
| <code>-noflatten</code>                   | <p>don't flatten the design. fully flattened designs can<br/> ↳ evaluate within<br/> one delta cycle if they have no combinatorial feedback.<br/> note that the debug interface and waveform dumps use<br/> ↳ full hierarchical<br/> names for all wires even in flattened designs.</p> |
| <code>-noprocs</code>                     | <p>don't convert processes to netlists. in most designs,<br/> ↳ converting<br/> processes significantly improves evaluation performance<br/> ↳ at the cost of<br/> slight increase in compilation time.</p>                                                                             |
| <code>-O &lt;level&gt;</code>             | <p>set the optimization level. the default is -O6. higher<br/> ↳ optimization<br/> levels dramatically decrease compile and run time, and<br/> ↳ highest level<br/> possible for a design should be used.</p>                                                                           |
| <code>-O0</code>                          | no optimization.                                                                                                                                                                                                                                                                        |
| <code>-O1</code>                          | unbuffer internal wires if possible.                                                                                                                                                                                                                                                    |
| <code>-O2</code>                          | like -O1, and localize internal wires if possible.                                                                                                                                                                                                                                      |
| <code>-O3</code>                          | like -O2, and inline internal wires if possible.                                                                                                                                                                                                                                        |
| <code>-O4</code>                          | like -O3, and unbuffer public wires not marked (*keep*)<br>↳ if possible.                                                                                                                                                                                                               |
| <code>-O5</code>                          | like -O4, and localize public wires not marked (*keep*)<br>↳ if possible.                                                                                                                                                                                                               |
| <code>-O6</code>                          | like -O5, and inline public wires not marked (*keep*)<br>↳ if possible.                                                                                                                                                                                                                 |

|                               |                                                                                                                                                             |
|-------------------------------|-------------------------------------------------------------------------------------------------------------------------------------------------------------|
| <code>-g &lt;level&gt;</code> | set the debug level. the default is <code>-g4</code> . higher debug levels provide more visibility and generate more code, but do not pessimize evaluation. |
| <code>-g0</code>              | no debug information. the C API is disabled.                                                                                                                |
| <code>-g1</code>              | include bare minimum of debug information necessary to access all design state. the C API is enabled.                                                       |
| <code>-g2</code>              | like <code>-g1</code> , but include debug information for all public wires that are directly accessible through the C++ interface.                          |
| <code>-g3</code>              | like <code>-g2</code> , and include debug information for public wires that are tied to a constant or another public wire.                                  |
| <code>-g4</code>              | like <code>-g3</code> , and compute debug information on demand for all public wires that were optimized out.                                               |

**Note**

Help text automatically generated from `backends/cxxrtl/cxxrtl_backend.cc:3474`

**write\_edif - write design to EDIF netlist file**

```
yosys> help write_edif
```

```
write_edif [options] [filename]
```

Write the current design to an EDIF netlist file.

|                              |                                                                                                                                                               |
|------------------------------|---------------------------------------------------------------------------------------------------------------------------------------------------------------|
| <code>-top top_module</code> | set the specified module as design top module                                                                                                                 |
| <code>-nogndvcc</code>       | do not create "GND" and "VCC" cells. (this will produce an error if the design contains constant nets. use "hilomap" to map to custom constant drivers first) |
| <code>-gndvccy</code>        | create "GND" and "VCC" cells with "Y" outputs. (the default is "G" for "GND" and "P" for "VCC".)                                                              |

|                                      |                                                                                                                  |
|--------------------------------------|------------------------------------------------------------------------------------------------------------------|
| <code>-attrprop</code>               | create EDIF properties for cell attributes                                                                       |
| <code>-keep</code>                   | create extra KEEP nets by allowing a cell to drive<br>↳ multiple nets.                                           |
| <code>-pvector {par brackets}</code> | the delimiting character for module port rename<br>↳ clauses to parentheses, square brackets, or angle brackets. |
| <code>-lsbidx</code>                 | use index 0 for the LSB bit of a net or port instead of<br>↳ MSB.                                                |

Unfortunately there are different "flavors" of the EDIF file format. This command generates EDIF files for the Xilinx place&route tools. It might be necessary to make small modifications to this command when a different tool is targeted.

#### Note

Help text automatically generated from `backends/edif/edif.cc:94`

### `write_firrtl` - write design to a FIRRTL file

`yosys> help write_firrtl`

`write_firrtl [options] [filename]`

Write a FIRRTL netlist of the current design.  
The following commands are executed by this command:

- `pmuxtree`
- `bmuxmap`
- `demuxmap`
- `bwmuxmap`

#### Note

Help text automatically generated from `backends/firrtl/firrtl.cc:1189`

### `write_functional_cxx` - convert design to C++ using the functional backend

`yosys> help write_functional_cxx`

TODO: add help message

#### Note

Help text automatically generated from `backends/functional/cxx.cc:243`

**write\_functional\_rosette - Generate Rosette compatible Racket from Functional IR**

```
yosys> help write_functional_rosette
```

```
write_functional_rosette [options] [filename]
```

Functional Rosette Backend.

**-provides** include 'provide' statement(s) for loading output as a  
↳ module

**-assoc-list-helper** provide helper functions which convert inputs/outputs  
↳ from/to association lists

**Note**

Help text automatically generated from `backends/functional/smtlib_rosette.cc:324`

**write\_functional\_smt2 - Generate SMT-LIB from Functional IR**

```
yosys> help write_functional_smt2
```

Functional SMT Backend.

**Note**

Help text automatically generated from `backends/functional/smtlib.cc:276`

**write\_intersynth - write design to InterSynth netlist file**

```
yosys> help write_intersynth
```

```
write_intersynth [options] [filename]
```

Write the current design to an 'intersynth' netlist file. InterSynth is a tool for Coarse-Grain Example-Driven Interconnect Synthesis.

**-notypes** do not generate celltypes and conntypes commands. i.e.  
↳ just output the netlists. this is used for postsilicon synthesis.

**-lib <verilog\_or\_hdl\_file>** Use the specified library file for determining whether  
↳ cell ports are inputs or outputs. This option can be used multiple  
↳ times to specify more than one library.

`-selected` only write selected modules. modules must be selected,  
 ↪entirely or  
 not at all.

<http://bygone.clairexen.net/intersynth/>

**Note**

Help text automatically generated from `backends/intersynth/intersynth.cc:48`

### `write_jny` - generate design metadata

`yosys> help write_jny`

`jny [options] [selection]`

Write JSON netlist metadata for the current design

`-no-connections` Don't include connection information in the netlist,  
 ↪output.

`-no-attributes` Don't include attributed information in the netlist,  
 ↪output.

`-no-properties` Don't include property information in the netlist,  
 ↪output.

The JSON schema for JNY output files is located in the "jny.schema.json" file which is located at "<https://raw.githubusercontent.com/YosysHQ/yosys/main/misc/jny.schema.json>"

**Note**

Help text automatically generated from `backends/jny/jny.cc:411`

### `write_json` - write design to a JSON file

`yosys> help write_json`

`write_json [options] [filename]`

Write a JSON netlist of the current design.

`-aig` include AIG models for the different gate types

|                           |                                                                                                                                    |
|---------------------------|------------------------------------------------------------------------------------------------------------------------------------|
| <code>-compat-int</code>  | emit 32-bit or smaller fully-defined parameter values <code>↳</code> directly as JSON numbers (for compatibility with old parsers) |
| <code>-selected</code>    | output only select module                                                                                                          |
| <code>-noscopeinfo</code> | don't include <code>\$scopeinfo</code> cells in the output                                                                         |

The general syntax of the JSON output created by this command is as follows:

```
{
  "creator": "Yosys <version info>",
  "modules": {
    <module_name>: {
      "attributes": {
        <attribute_name>: <attribute_value>,
        ...
      },
      "parameter_default_values": {
        <parameter_name>: <parameter_value>,
        ...
      },
      "ports": {
        <port_name>: <port_details>,
        ...
      },
      "cells": {
        <cell_name>: <cell_details>,
        ...
      },
      "memories": {
        <memory_name>: <memory_details>,
        ...
      },
      "netnames": {
        <net_name>: <net_details>,
        ...
      }
    }
  },
  "models": {
    ...
  }
}
```

Where `<port_details>` is:

```
{
  "direction": <"input" | "output" | "inout">,
  "bits": <bit_vector>
  "offset": <the lowest bit index in use, if non-0>
```

(continues on next page)

(continued from previous page)

```

    "upto": <1 if the port bit indexing is MSB-first>
    "signed": <1 if the port is signed>
  }

```

The "offset" and "upto" fields are skipped if their value would be 0. They don't affect connection semantics, and are only used to preserve original HDL bit indexing.

And <cell\_details> is:

```

{
  "hide_name": <1 | 0>,
  "type": <cell_type>,
  "model": <AIG model name, if -aig option used>,
  "parameters": {
    <parameter_name>: <parameter_value>,
    ...
  },
  "attributes": {
    <attribute_name>: <attribute_value>,
    ...
  },
  "port_directions": {
    <port_name>: <"input" | "output" | "inout">,
    ...
  },
  "connections": {
    <port_name>: <bit_vector>,
    ...
  },
}

```

And <memory\_details> is:

```

{
  "hide_name": <1 | 0>,
  "attributes": {
    <attribute_name>: <attribute_value>,
    ...
  },
  "width": <memory width>
  "start_offset": <the lowest valid memory address>
  "size": <memory size>
}

```

And <net\_details> is:

```

{
  "hide_name": <1 | 0>,
  "bits": <bit_vector>
  "offset": <the lowest bit index in use, if non-0>
  "upto": <1 if the port bit indexing is MSB-first>
  "signed": <1 if the port is signed>
}

```

(continues on next page)

(continued from previous page)

}

The "hide\_name" fields are set to 1 when the name of this cell or net is automatically created and is likely not of interest for a regular user.

The "port\_directions" section is only included for cells for which the interface is known.

Module and cell ports and nets can be single bit wide or vectors of multiple bits. Each individual signal bit is assigned a unique integer. The <bit\_vector> values referenced above are vectors of this integers. Signal bits that are connected to a constant driver are denoted as string "0", "1", "x", or "z" instead of a number.

Bit vectors (including integers) are written as string holding the binary representation of the value. Strings are written as strings, with an appended blank in cases of strings of the form /[01xz]\* \*/.

For example the following Verilog code:

```
module test(input x, y);
  (* keep *) foo #(.P(42), .Q(1337))
    foo_inst (.A({x, y}), .B({y, x}), .C({4'd10, {4{x}}}}));
endmodule
```

Translates to the following JSON output:

```
{
  "creator": "Yosys 0.9+2406 (git sha1 fb1168d8, clang 9.0.1 -fPIC -Os)",
  "modules": {
    "test": {
      "attributes": {
        "cells_not_processed": "00000000000000000000000000000001",
        "src": "test.v:1.1-4.10"
      },
      "ports": {
        "x": {
          "direction": "input",
          "bits": [ 2 ]
        },
        "y": {
          "direction": "input",
          "bits": [ 3 ]
        }
      },
      "cells": {
        "foo_inst": {
          "hide_name": 0,
          "type": "foo",
          "parameters": {
            "P": "0000000000000000000000000000101010",
            "Q": "00000000000000000000000010100111001"
          }
        }
      }
    }
  }
}
```

(continues on next page)



(continued from previous page)

```
[ "and", <node-index>, <node-index>, <out-list> ]
- the ANDed value of the specified nodes

[ "nand", <node-index>, <node-index>, <out-list> ]
- the inverted ANDed value of the specified nodes

[ "true", <out-list> ]
- the constant value 1

[ "false", <out-list> ]
- the constant value 0
```

All nodes appear in topological order. I.e. only nodes with smaller indices are referenced by "and" and "nand" nodes.

The optional <out-list> at the end of a node specification is a list of output portname and bitindex pairs, specifying the outputs driven by this node.

For example, the following is the model for a 3-input 3-output \$reduce\_and cell inferred by the following code:

```
module test(input [2:0] in, output [2:0] out);
    assign in = &out;
endmodule

"$reduce_and:3U:3": [
    /* 0 */ [ "port", "A", 0 ],
    /* 1 */ [ "port", "A", 1 ],
    /* 2 */ [ "and", 0, 1 ],
    /* 3 */ [ "port", "A", 2 ],
    /* 4 */ [ "and", 2, 3, "Y", 0 ],
    /* 5 */ [ "false", "Y", 1, "Y", 2 ]
]
```

Future version of Yosys might add support for additional fields in the JSON format. A program processing this format must ignore all unknown fields.

#### Note

Help text automatically generated from backends/json/json.cc:339

### write\_rtlil - write design to RTLIL file

```
yosys> help write_rtlil
```

```
write_rtlil [filename]
```

Write the current design to an RTLIL file. (RTLIL is a text representation of a design in yosys's internal format.)

`-selected`      only write selected parts of the design.

`-sort`            sort design in-place (used to be default).

**Note**

Help text automatically generated from `backends/rtlil/rtlil_backend.cc:410`

### `write_simplec` - convert design to simple C code

`yosys> help write_simplec`

`write_simplec [options] [filename]`

Write simple C code for simulating the design. The C code written can be used to simulate the design in a C environment, but the purpose of this command is to generate code that works well with C-based formal verification.

`-verbose`            this will print the recursive walk used to export the  
↳modules.

`-i8, -i16, -i32, -i64` the maximum integer bit width to use in the  
↳generated code.

THIS COMMAND IS UNDER CONSTRUCTION

**Note**

Help text automatically generated from `backends/simplec/simplec.cc:746`

### `write_smt2` - write design to SMT-LIBv2 file

`yosys> help write_smt2`

`write_smt2 [options] [filename]`

Write a SMT-LIBv2 [1] description of the current design. For a module with name '`<mod>`' this will declare the sort '`<mod>_s`' (state of the module) and will define and declare functions operating on that state.

The following SMT2 functions are generated for a module with name '`<mod>`'. Some declarations/definitions are printed with a special comment. A prover using the SMT2 files can use those comments to collect all relevant metadata about the design.

```
; yosys-smt2-module <mod>
(declare-sort |<mod>_s| 0)
  The sort representing a state of module <mod>.
```

(continues on next page)

(continued from previous page)

```
(define-fun |<mod>_h| ((state |<mod>_s|)) Bool (...))
  This function must be asserted for each state to establish the
  design hierarchy.

; yosys-smt2-input <wirename> <width>
; yosys-smt2-output <wirename> <width>
; yosys-smt2-register <wirename> <width>
; yosys-smt2-wire <wirename> <width>
(define-fun |<mod>_n <wirename>| (|<mod>_s|) (_ BitVec <width>))
(define-fun |<mod>_n <wirename>| (|<mod>_s|) Bool)
  For each port, register, and wire with the 'keep' attribute set an
  accessor function is generated. Single-bit wires are returned as Bool,
  multi-bit wires as BitVec.

; yosys-smt2-cell <submod> <instancename>
(declare-fun |<mod>_h <instancename>| (|<mod>_s|) |<submod>_s|)
  There is a function like that for each hierarchical instance. It
  returns the sort that represents the state of the sub-module that
  implements the instance.

(declare-fun |<mod>_is| (|<mod>_s|) Bool)
  This function must be asserted 'true' for initial states, and 'false'
  otherwise.

(define-fun |<mod>_i| ((state |<mod>_s|)) Bool (...))
  This function must be asserted 'true' for initial states. For
  non-initial states it must be left unconstrained.

(define-fun |<mod>_t| ((state |<mod>_s|) (next_state |<mod>_s|)) Bool (...))
  This function evaluates to 'true' if the states 'state' and
  'next_state' form a valid state transition.

(define-fun |<mod>_a| ((state |<mod>_s|)) Bool (...))
  This function evaluates to 'true' if all assertions hold in the state.

(define-fun |<mod>_u| ((state |<mod>_s|)) Bool (...))
  This function evaluates to 'true' if all assumptions hold in the state.

; yosys-smt2-assert <id> <filename:linenum>
(define-fun |<mod>_a <id>| ((state |<mod>_s|)) Bool (...))
  Each $assert cell is converted into one of this functions. The function
  evaluates to 'true' if the assert statement holds in the state.

; yosys-smt2-assume <id> <filename:linenum>
(define-fun |<mod>_u <id>| ((state |<mod>_s|)) Bool (...))
  Each $assume cell is converted into one of this functions. The function
  evaluates to 'true' if the assume statement holds in the state.

; yosys-smt2-cover <id> <filename:linenum>
(define-fun |<mod>_c <id>| ((state |<mod>_s|)) Bool (...))
  Each $cover cell is converted into one of this functions. The function
```

(continues on next page)

(continued from previous page)

evaluates to 'true' if the cover statement is activated in the state.

Options:

- verbose** this will print the recursive walk used to export the  
↳modules.
- stbv** Use a BitVec sort to represent a state instead of an  
↳uninterpreted  
sort. As a side-effect this will prevent use of arrays  
↳to model  
memories.
- stdt** Use SMT-LIB 2.6 style datatypes to represent a state  
↳instead of an  
uninterpreted sort.
- nobv** disable support for BitVec (FixedSizeBitVectors theory).  
↳ without this  
option multi-bit wires are represented using the BitVec  
↳sort and  
support for coarse grain cells (incl. arithmetic) is  
↳enabled.
- nomem** disable support for memories (via ArraysEx theory).  
↳this option is  
implied by -nobv. only \$mem cells without merged  
↳registers in  
read ports are supported. call "memory" with -nordff to  
↳make sure  
that no registers are merged into \$mem read ports. '  
↳<mod>\_m' functions  
will be generated for accessing the arrays that are  
↳used to represent  
memories.
- wires** create '<mod>\_n' functions for all public wires. by  
↳default only ports,  
registers, and wires with the 'keep' attribute are  
↳exported.
- tpl <template\_file>** use the given template file. the line containing only  
↳the token '%%'  
is replaced with the regular output of this command.
- solver-option <option> <value>** `yosys-smt2-solver-option` directive for yosys-  
↳smtbmc to write  
the given option as a `(set-option ...)` command in the  
↳SMT-LIBv2.

[1] For more information on SMT-LIBv2 visit <http://smt-lib.org/> or read David R. Cok's tutorial: <https://smtlib.github.io/jSMTLIB/SMTLIBTutorial.pdf>

-----  
**Example:**

Consider the following module (test.v). We want to  
 ↪ prove that the output can  
 never transition from a non-zero value to a zero value.

```
module test(input clk, output reg [3:0] y);
always @(posedge clk)
y <= (y << 1) | ^y;
endmodule
```

For this proof we create the following template (test.  
 ↪ tpl).

```
; we need QF_UFBV for this proof
(set-logic QF_UFBV)
```

```
; insert the auto-generated code here
%%
```

```
; declare two state variables s1 and s2
(declare-fun s1 () test_s)
(declare-fun s2 () test_s)
```

```
; state s2 is the successor of state s1
(assert (test_t s1 s2))
```

```
; we are looking for a model with y non-zero in s1
(assert (distinct (|test_n y| s1) #b0000))
```

```
; we are looking for a model with y zero in s2
(assert (= (|test_n y| s2) #b0000))
```

```
; is there such a model?
(check-sat)
```

The following yosys script will create a 'test.smt2'  
 ↪ file for our proof:

```
read_verilog test.v
hierarchy -check; proc; opt; check -assert
write_smt2 -bv -tpl test.tpl test.smt2
```

Running 'cvc4 test.smt2' will print 'unsat' because y  
 ↪ can never transition  
 from non-zero to zero in the test design.

**Note**

Help text automatically generated from `backends/smt2/smt2.cc:1598`

**write\_smv - write design to SMV file**

```
yosys> help write_smv
```

```
write_smv [options] [filename]
```

Write an SMV description of the current design.

```
-verbose
```

this will print the recursive walk used to export the  
modules.

```
-tpl <template_file>
```

use the given template file. the line containing only  
the token '%' is replaced with the regular output of this command.

THIS COMMAND IS UNDER CONSTRUCTION

**Note**

Help text automatically generated from `backends/smv/smv.cc:721`

**write\_spice - write design to SPICE netlist file**

```
yosys> help write_spice
```

```
write_spice [options] [filename]
```

Write the current design to an SPICE netlist file.

```
-big_endian
```

generate multi-bit ports in MSB first order  
(default is LSB first)

```
-neg net_name
```

set the net name for constant 0 (default: Vss)

```
-pos net_name
```

set the net name for constant 1 (default: Vdd)

```
-buf DC|subckt_name
```

set the name for jumper element (default: DC)  
(used to connect different nets)

```
-nc_prefix
```

prefix for not-connected nets (default: \_NC)

```
-inames
```

include names of internal (\$) nets in outputs  
(default is to use net numbers instead)

```
-top top_module set the specified module as design top module
```

**Note**

Help text automatically generated from `backends/spice/spice.cc:135`

### write\_table - write design as connectivity table

```
yosys> help write_table
```

```
write_table [options] [filename]
```

Write the current design as connectivity table. The output is a tab-separated ASCII table with the following columns:

```
module name
cell name
cell type
cell port
direction
signal
```

module inputs and outputs are output using cell type and port '-' and with 'pi' (primary input) or 'po' (primary output) or 'pio' as direction.

**Note**

Help text automatically generated from `backends/table/table.cc:31`

### write\_verilog - write design to Verilog file

```
yosys> help write_verilog
```

```
write_verilog [options] [filename]
```

Write the current design to a Verilog file.

```
-sv with this option, SystemVerilog constructs like always_
↳comb are used
```

```
-norename without this option all internal object names (the ones_
↳with a dollar
↳instead of a backslash prefix) are changed to short_
↳names in the
↳format '_<number>_'.
```

```
-renameprefix <prefix> prefix this prefix in front of auto-generated instance_
↳names
```

|                              |                                                                                                                                                                                                                                 |
|------------------------------|---------------------------------------------------------------------------------------------------------------------------------------------------------------------------------------------------------------------------------|
| <code>-noattr</code>         | with this option no attributes are included in the<br>↳output                                                                                                                                                                   |
| <code>-attr2comment</code>   | with this option attributes are included as comments in<br>↳the output                                                                                                                                                          |
| <code>-noexpr</code>         | without this option all internal cells are converted to<br>↳Verilog expressions.                                                                                                                                                |
| <code>-noparallelcase</code> | With this option no <code>parallel_case</code> attributes are used.<br>↳Instead, a case statement that assigns don't-care values for priority<br>↳dependent inputs is generated.                                                |
| <code>-siminit</code>        | add initial statements with hierarchical refs to<br>↳initialize FFs when in <code>-noexpr</code> mode.                                                                                                                          |
| <code>-nodec</code>          | 32-bit constant values are by default dumped as decimal<br>↳numbers, not bit pattern. This option deactivates this feature<br>↳and instead will write out all constants in binary.                                              |
| <code>-decimal</code>        | dump 32-bit constants in decimal and without size and<br>↳radix                                                                                                                                                                 |
| <code>-nohex</code>          | constant values that are compatible with hex output are<br>↳usually dumped as hex values. This option deactivates this<br>↳feature and instead will write out all constants in binary.                                          |
| <code>-nostr</code>          | Parameters and attributes that are specified as strings<br>↳in the original input will be output as strings by this back-<br>↳end. This deactivates this feature and instead will write string<br>↳constants as binary numbers. |
| <code>-simple-lhs</code>     | Connection assignments with simple left hand side<br>↳without concatenations.                                                                                                                                                   |
| <code>-extmem</code>         | instead of initializing memories using assignments to<br>↳individual elements, use the '\$readmemh' function to read                                                                                                            |

(continues on next page)

(continued from previous page)

|                              |                                                                                                                                                                                                                                                                                          |
|------------------------------|------------------------------------------------------------------------------------------------------------------------------------------------------------------------------------------------------------------------------------------------------------------------------------------|
|                              | <p>↪ initialization data from a file. This data is written to a file named by ↪<br/> ↪ appending a sequential index to the Verilog filename and ↪<br/> ↪ replacing the extension with '.mem', e.g. 'write_verilog -extmem foo.v' writes ↪<br/> ↪ 'foo-1.mem', 'foo-2.mem' and so on.</p> |
| <code>-defparam</code>       | <p>use 'defparam' statements instead of the Verilog-2001 ↪<br/> ↪ syntax for cell parameters.</p>                                                                                                                                                                                        |
| <code>-default_params</code> | <p>emit module parameter declarations from parameter_default_values.</p>                                                                                                                                                                                                                 |
| <code>-blackboxes</code>     | <p>usually modules with the 'blackbox' attribute are ↪<br/> ↪ ignored. with this option set only the modules with the 'blackbox' ↪<br/> ↪ attribute are written to the output file.</p>                                                                                                  |
| <code>-selected</code>       | <p>only write selected modules. modules must be selected ↪<br/> ↪ entirely or not at all.</p>                                                                                                                                                                                            |
| <code>-v</code>              | <p>verbose output (print new names of all renamed wires ↪<br/> ↪ and cells)</p>                                                                                                                                                                                                          |

Note that RTLIL processes can't always be mapped directly to Verilog always blocks. This frontend should only be used to export an RTLIL netlist, i.e. after the "proc" pass has been used to convert all processes to logic networks and registers. A warning is generated when this command is called on a design with RTLIL processes.

#### Note

Help text automatically generated from `backends/verilog/verilog_backend.cc:2486`

### `write_xaiger` - write design to XAIGER file

yosys> help write\_xaiger

`write_xaiger [options] [filename]`

Write the top module (according to the (\* top \*) attribute or if only one module is currently selected) to an XAIGER file. Any non `$_NOT_`, `$_AND_`, (optionally `$_DFF_N_`, `$_DFF_P_`), or non (\* abc9\_box \*) cells will be converted into psuedo-

(continues on next page)

(continued from previous page)

inputs and pseudo-outputs. Whitebox contents will be taken from the equivalent module in the '\$abc9\_holes' design, if it exists.

|                                    |                                               |
|------------------------------------|-----------------------------------------------|
| <code>-ascii</code>                | write ASCII version of AIGER format           |
| <code>-map &lt;filename&gt;</code> | write an extra file with port and box symbols |
| <code>-dff</code>                  | write <code>\$_DFF_[NP]_cells</code>          |

**Note**

Help text automatically generated from `backends/aiger/xaiger.cc:722`

**write\_xaiger2 - (experimental) write module to XAIGER file**

```
yosys> help write_xaiger2
```

**Warning**

This command is experimental

```
write_xaiger2 [options] [filename]
```

Write the selected module to a XAIGER file including the 'h' and 'a' extensions with box information for ABC.

|                                 |                                                                                                                                                                                                                                                                                      |
|---------------------------------|--------------------------------------------------------------------------------------------------------------------------------------------------------------------------------------------------------------------------------------------------------------------------------------|
| <code>-strash</code>            | perform structural hashing while writing                                                                                                                                                                                                                                             |
| <code>-flatten</code>           | allow descending into submodules and write a flattened view of the design hierarchy starting at the selected top                                                                                                                                                                     |
| <code>-mapping_prep</code>      | after the file is written, prepare the module for reintegration of a mapping in a subsequent command. all cells which are not blackboxed nor whiteboxed are removed from the design as well as all wires which only connect to removed cells (conflicts with <code>-flatten</code> ) |
| <code>-map2 &lt;file&gt;</code> | write a map2 file which 'read_xaiger2 -sc_mapping' can read to reintegrate a mapping (conflicts with <code>-flatten</code> )                                                                                                                                                         |

**Note**

Help text automatically generated from `backends/aiger2/aiger.cc:1476`

**10.1.4 Yosys kernel commands****echo - turning echoing back of commands on and off**

```
yosys> help echo
```

```
echo on
```

Print all commands to log before executing them.

```
echo off
```

Do not print all commands to log before executing them. (default)

**Note**

Help text automatically generated from `kernel/register.cc:1145`

**help - display help messages**

```
yosys> help help
```

```
help ..... list all commands
```

```
help <command> ..... print help message for given command
```

```
help -all ..... print complete command reference
```

```
help -cells ..... list all cell types
```

```
help <celltype> ..... print help message for given cell type
```

```
help <celltype>+ .... print verilog code for given cell type
```

**Note**

Help text automatically generated from `kernel/register.cc:753`

**history - show last interactive commands**

```
yosys> help history
```

```
history
```

This command prints all commands in the shell history buffer. This are all commands executed in an interactive session, but not the commands from executed scripts.

**Note**

Help text automatically generated from `kernel/yosys.cc:1111`

**license - print license terms**

```
yosys> help license
```

```
license
```

This command produces the following notice.

```

/-----\
|
|  yosys -- Yosys Open SYnthesis Suite
|
|  Copyright (C) 2012 - 2026  Claire Xenia Wolf <claire@yosyshq.com>
|
|  Permission to use, copy, modify, and/or distribute this software for any
|  purpose with or without fee is hereby granted, provided that the above
|  copyright notice and this permission notice appear in all copies.
|
|  THE SOFTWARE IS PROVIDED "AS IS" AND THE AUTHOR DISCLAIMS ALL WARRANTIES
|  WITH REGARD TO THIS SOFTWARE INCLUDING ALL IMPLIED WARRANTIES OF
|  MERCHANTABILITY AND FITNESS. IN NO EVENT SHALL THE AUTHOR BE LIABLE FOR
|  ANY SPECIAL, DIRECT, INDIRECT, OR CONSEQUENTIAL DAMAGES OR ANY DAMAGES
|  WHATSOEVER RESULTING FROM LOSS OF USE, DATA OR PROFITS, WHETHER IN AN
|  ACTION OF CONTRACT, NEGLIGENCE OR OTHER TORTIOUS ACTION, ARISING OUT OF
|  OR IN CONNECTION WITH THE USE OR PERFORMANCE OF THIS SOFTWARE.
|
\-----/

```

**Note**

Help text automatically generated from `kernel/register.cc:1190`

**script - execute commands from file or wire**

```
yosys> help script
```

```
script <filename> [<from_label>:<to_label>]
```

```
script -scriptwire [selection]
```

This command executes the yosys commands in the specified file (default behaviour), or commands embedded in the constant text value connected to the selected wires.

In the default (file) case, the 2nd argument can be used to only execute the section of the file between the specified labels. An empty from label is synonymous with the beginning of the file and an empty to label is synonymous with the end of the file.

(continues on next page)

(continued from previous page)

If only one label is specified (without ':') then only the block marked with that label (until the next label) is executed.

In "-scriptwire" mode, the commands on the selected wire(s) will be executed in the scope of (and thus, relative to) the wires' owning module(s). This '-module' mode can be exited by using the 'cd' command.

**Note**

Help text automatically generated from kernel/yosys.cc:1135

**shell - enter interactive command mode**

```
yosys> help shell
```

**shell**

This command enters the interactive command mode. This can be useful in a script to interrupt the script at a certain point and allow for interactive inspection or manual synthesis of the design at this point.

The command prompt of the interactive shell indicates the current selection (see 'help select'):

```
yosys>
  the entire design is selected

yosys*>
  only part of the design is selected

yosys [modname]>
  the entire module 'modname' is selected using 'select -module modname'

yosys [modname]*>
  only part of current module 'modname' is selected
```

When in interactive shell, some errors (e.g. invalid command arguments) do not terminate yosys but return to the command prompt.

This command is the default action if nothing else has been specified on the command line.

Press Ctrl-D or type 'exit' to leave the interactive shell.

**Note**

Help text automatically generated from `kernel/yosys.cc:1070`

**tcl - execute a TCL script file**

```
yosys> help tcl
```

```
tcl <filename> [args]
```

This command executes the tcl commands in the specified file. Use 'yosys cmd' to run the yosys command 'cmd' from tcl.

The tcl command 'yosys -import' can be used to import all yosys commands directly as tcl commands to the tcl shell. Yosys commands 'proc' and 'rename' are wrapped to tcl commands 'procs' and 'renames' in order to avoid a name collision with the built in commands.

If any arguments are specified, these arguments are provided to the script via the standard \$argc and \$argv variables.

Note, tcl will not receive the output of any yosys command. If the output of the tcl commands are needed, use the yosys command 'tee -s result.string' to redirect yosys's output to the 'result.string' scratchpad value. The 'result.string' value is then used as the tcl output value of the command.

**Note**

Help text automatically generated from `kernel/yosys.cc:430`

**10.1.5 Formal verification****assertpmux - adds asserts for parallel muxes**

```
yosys> help assertpmux
```

```
assertpmux [options] [selection]
```

This command adds asserts to the design that assert that all parallel muxes (\$pmux cells) have a maximum of one of their inputs enable at any time.

```
-noinit
```

do not enforce the pmux condition during the init state

```
-always
```

usually the \$pmux condition is only checked when the  
 ↳ \$pmux output  
 is used by the mux tree it drives. this option will  
 ↳ deactivate this  
 additional constraint and check the \$pmux condition  
 ↳ always.

**Note**

Help text automatically generated from `passes/sat/assertpmux.cc:185`

**async2sync - convert async FF inputs to sync circuits**

```
yosys> help async2sync
```

```
async2sync [options] [selection]
```

This command replaces async FF inputs with sync circuits emulating the same behavior for when the async signals are actually synchronized to the clock.

This pass assumes negative hold time for the async FF inputs. For example when a reset deasserts with the clock edge, then the FF output will still drive the reset value in the next cycle regardless of the data-in value at the time of the clock edge.

```
-nolower
```

Do not automatically run 'chformal -lower' to lower  
↪ \$check cells.

**Note**

Help text automatically generated from `passes/sat/async2sync.cc:30`

**chformal - change formal constraints of the design**

```
yosys> help chformal
```

```
chformal [types] [mode] [options] [selection]
```

Make changes to the formal constraints of the design. The [types] options the type of constraint to operate on. If none of the following options are given, the command will operate on all constraint types:

```
-assert      $assert cells, representing assert(...) constraints
-assume      $assume cells, representing assume(...) constraints
-live        $live cells, representing assert(s_eventually ...)
-fair        $fair cells, representing assume(s_eventually ...)
-cover       $cover cells, representing cover() statements
```

Additionally chformal will operate on *\$check* cells corresponding to the selected constraint types.

Exactly one of the following modes must be specified:

```
-remove      remove the cells and thus constraints from the design
-early       bypass FFs that only delay the activation of a constraint. When
             inputs of the bypassed FFs do not remain stable between clock edges,
             this may result in unexpected behavior.
-delay <N>   delay activation of the constraint by <N> clock cycles
```

**-skip <N>** ignore activation of the constraint in the first <N> clock cycles  
**-coverenable** add cover statements for the enable signals of the constraints  
**-assert2assume**  
**-assert2cover**  
**-assume2assert**  
**-live2fair**  
**-fair2live** change the roles of cells as indicated. these options can be combined  
**-lower** convert each \$check cell into an \$assert, \$assume, \$live, \$fair or \$cover cell. If the \$check cell contains a message, also produce a \$print cell.

**Note**

Help text automatically generated from `passes/cmds/chformal.cc:74`

### clk2fflogic - convert clocked FFs to generic \$ff cells

yosys> help clk2fflogic

clk2fflogic [options] [selection]

This command replaces clocked flip-flops with generic \$ff cells that use the implicit global clock. This is useful for formal verification of designs with multiple clocks.

This pass assumes negative hold time for the async FF inputs. For example when a reset deasserts with the clock edge, then the FF output will still drive the reset value in the next cycle regardless of the data-in value at the time of the clock edge.

**-nolower** Do not automatically run 'chformal -lower' to lower  
 ↳\$check cells.

**-nopeepopt** Do not automatically run 'peepopt -formalclk' to  
 ↳rewrite clock patterns  
 to more formal friendly forms.

**Note**

Help text automatically generated from `passes/sat/clk2fflogic.cc:36`

### cutpoint - adds formal cut points to the design

yosys> help cutpoint

```
cutpoint [options] [selection]
```

This command adds formal cut points to the design.

**-undef**

set cutpoint nets to undef (x). the default behavior is `↳`  
`↳`to create  
 an \$anyseq cell and drive the cutpoint net from that

**-noscopeinfo**

do not create '\$scopeinfo' cells that preserve `↳`  
`↳`attributes of cells that  
 were removed by this pass

```
cutpoint -blackbox [options]
```

Replace all instances of blackboxes in the design with a formal cut point.

#### **Note**

Help text automatically generated from `passes/sat/cutpoint.cc:28`

### **dft\_tag - create tagging logic for data flow tracking**

```
yosys> help dft_tag
```

```
dft_tag [options] [selection]
```

This pass... TODO

**-overwrite-only**

Only process \$overwrite\_tag and \$original\_tag cells.

**-tag-public**

For each public wire that may carry tagged data, create `↳`  
`↳`a new public  
 wire (named <wirename>:<tagname>) that carries the tag `↳`  
`↳`bits. Note  
 that without this, tagging logic will only be emitted `↳`  
`↳`as required  
 for uses of \$get\_tag.

#### **Note**

Help text automatically generated from `passes/cmds/dft_tag.cc:957`

### **fmcombine - combine two instances of a cell into one**

```
yosys> help fmcombine
```

```
fmcombine [options] module_name gold_cell gate_cell
```

This pass takes two cells, which are instances of the same module, and replaces them with one instance of a special 'combined' module, that effectively contains two copies of the original module, plus some formal properties.

This is useful for formal test benches that check what differences in behavior a slight difference in input causes in a module.

**-initeq**

Insert assumptions that initially all FFs in both  
↳circuits have the  
same initial values.

**-anyeq**

Do not duplicate \$anyseq/\$anyconst cells.

**-fwd**

Insert forward hint assumptions into the combined  
↳module.

**-bwd**

Insert backward hint assumptions into the combined  
↳module.  
(Backward hints are logically equivalent to forward  
↳hits, but  
some solvers are faster with bwd hints, or even both -  
↳bwd and -fwd.)

**-nop**

Don't insert hint assumptions into the combined module.  
(This should not provide any speedup over the original  
↳design, but  
strangely sometimes it does.)

If none of -fwd, -bwd, and -nop is given, then -fwd is used as default.

#### Note

Help text automatically generated from passes/sat/fmcombine.cc:240

### fmunit - set init values/sequences for formal

```
yosys> help fmunit
```

```
fmunit [options] <selection>
```

This pass creates init constraints (for example for reset sequences) in a formal model.

**-seq <signal> <sequence>** Sequence using comma-separated list of values, use  
↳'z for  
unconstrained bits. The last value is used for the  
↳

(continues on next page)

(continued from previous page)

↪ remainder of the  
trace.

-set <signal> <value> constant value constraint

-posedge <signal>

-negedge <signal> Set clock for init sequences

### Note

Help text automatically generated from passes/sat/fmunit.cc:28

## formalff - prepare FFs for formal

yosys> help formalff

formalff [options] [selection]

This pass transforms clocked flip-flops to prepare a design for formal verification. If a design contains latches and/or multiple different clocks run the `async2sync` or `clk2fflogic` passes before using this pass.

-clk2ff

Replace all clocked flip-flops with \$ff cells that use  
↪ the implicit  
global clock. This assumes, without checking, that the  
↪ design uses a  
single global clock. If that is not the case, the  
↪ clk2fflogic pass  
should be used instead.

-ff2anyinit

Replace uninitialized bits of \$ff cells with \$anyinit  
↪ cells. An  
\$anyinit cell behaves exactly like an \$ff cell with an  
↪ undefined  
initialization value. The difference is that \$anyinit  
↪ inhibits  
don't-care optimizations and is used to track solver-  
↪ provided values  
in witness traces.

If combined with -clk2ff this also affects newly  
↪ created \$ff cells.

-anyinit2ff

Replaces \$anyinit cells with uninitialized \$ff cells.  
↪ This performs the  
reverse of -ff2anyinit and can be used, before running  
↪ a backend pass  
(or similar) that is not yet aware of \$anyinit cells.

(continues on next page)

(continued from previous page)

Note that after running `-anyinit2ff`, in general,  
 ↪ performing don't-care  
 optimizations is not sound in a formal verification  
 ↪ setting.

`-fine`

Emit fine-grained `$_FF_` cells instead of coarse-grained  
 ↪ `$ff` cells for

`-anyinit2ff`. Cannot be combined with `-clk2ff` or `-ff2anyinit`.

`-setundef`

Find FFs with undefined initialization values for which  
 ↪ changing the  
 initialization does not change the observable behavior  
 ↪ and initialize  
 them. For `-ff2anyinit`, this reduces the number of  
 ↪ generated `$anyinit`  
 cells that drive wires with private names.

`-hierarchy`

Propagates the 'replaced\_by\_gclk' attribute set by  
 ↪ `clk2ff` upwards  
 through the design hierarchy towards the toplevel  
 ↪ inputs. This option  
 works on the whole design and ignores the selection.

`-assume`

Add assumptions that constrain wires with the 'replaced\_  
 ↪ by\_gclk'  
 attribute to the value they would have before an active  
 ↪ clock edge.

`-declockgate`

Detect clock-gating patterns and modify any FFs clocked  
 ↪ by the gated  
 clock to use the ungated clock with the gate signal as  
 ↪ clock enable.  
 This doesn't affect the design's behavior during FV but  
 ↪ can enable the  
 use of formal verification methods that only support a  
 ↪ single global  
 clock.

**Note**

Help text automatically generated from `passes/sat/formalff.cc:489`

**freduce - perform functional reduction**

```
yosys> help freduce
```

```
freduce [options] [selection]
```

This pass performs functional reduction in the circuit. I.e. if two nodes are equivalent, they are merged to one node and one of the redundant drivers is disconnected. A subsequent call to 'clean' will remove the redundant drivers.

|                                   |                                                                                                                                                   |
|-----------------------------------|---------------------------------------------------------------------------------------------------------------------------------------------------|
| <code>-v, -vv</code>              | enable verbose or very verbose output                                                                                                             |
| <code>-inv</code>                 | enable explicit handling of inverted signals                                                                                                      |
| <code>-stop &lt;n&gt;</code>      | stop after <n> reduction operations. this is mostly used for debugging the <code>freduce</code> command itself.                                   |
| <code>-dump &lt;prefix&gt;</code> | dump the design to <prefix>_<module>_<num>.il after each reduction operation. this is mostly used for debugging the <code>freduce</code> command. |

This pass is undef-aware, i.e. it considers don't-care values for detecting equivalent nodes.

All selected wires are considered for rewiring. The selected cells cover the circuit that is analyzed.

#### Note

Help text automatically generated from `passes/sat/freduce.cc:758`

### future - resolve future sampled value functions

```
yosys> help future
```

```
future [options] [selection]
```

#### Note

Help text automatically generated from `passes/cmds/future.cc:113`

### glift - create GLIFT models and optimization problems

```
yosys> help glift
```

```
glift <command> [options] [selection]
```

Augments the current or specified module with gate-level information flow tracking (GLIFT) logic using the "constructive mapping" approach. Also can set up QBF-SAT optimization problems in order to optimize GLIFT models or trade off precision and complexity.

Commands:

`-create-precise-model` Replaces the current or specified module with one that  
 ↳ has corresponding  
 ↳ "taint" inputs, outputs, and internal nets along with  
 ↳ precise taint  
 tracking logic. For example, precise taint tracking  
 ↳ logic for an AND gate  
 is:  

$$y\_t = a \& b\_t \mid b \& a\_t \mid a\_t \& b\_t$$

`-create-imprecise-model` Replaces the current or specified module with one that  
 ↳ has corresponding  
 ↳ "taint" inputs, outputs, and internal nets along with  
 ↳ imprecise "All OR"  
 taint tracking logic:  

$$y\_t = a\_t \mid b\_t$$

`-create-instrument-model` Replaces the current or specified module with one that  
 ↳ has corresponding  
 ↳ "taint" inputs, outputs, and internal nets along with 4  
 ↳ varying-precision  
 versions of taint tracking logic. Which version of  
 ↳ taint tracking logic is  
 used for a given gate is determined by a MUX selected  
 ↳ by an \$anyconst cell.  
 By default, unless the ``-no-cost-model`` option is  
 ↳ provided, an additional  
 wire named ``__glift_weight`` with the ``keep`` and  
 ↳ ``minimize`` attributes is  
 added to the module along with pmuxes and adders to  
 ↳ calculate a rough  
 estimate of the number of logic gates in the GLIFT  
 ↳ model given an assignment  
 for the \$anyconst cells. The four versions of taint  
 ↳ tracking logic for an  
 AND gate are:  

$$y\_t = a \& b\_t \mid b \& a\_t \mid a\_t \& b\_t \quad (\text{like } \texttt{`-create-precise-model`})$$

$$y\_t = a\_t \mid a \& b\_t$$

$$y\_t = b\_t \mid b \& a\_t$$

$$y\_t = a\_t \mid b\_t \quad (\text{like } \texttt{`-create-imprecise-model`})$$

#### Options:

`-taint-constants` Constant values in the design are labeled as tainted.  
 (default: label constants as un-tainted)

`-keep-outputs` Do not remove module outputs. Taint tracking outputs  
 (continues on next page)

(continued from previous page)

↪ will appear in the module ports alongside the original outputs. (default: original module outputs are removed)

**-simple-cost-model** Do not model logic area. Instead model the number of ↪ non-zero assignments to ↪ \$anyconsts. Taint tracking logic versions vary in their ↪ size, but all ↪ reduced-precision versions are significantly smaller ↪ than the fully-precise ↪ version. A non-zero \$anyconst assignment means that ↪ reduced-precision taint ↪ tracking logic was chosen for some gate. Only ↪ applicable in combination with ↪ `create-instrumented-model`. (default: use a complex ↪ model and give that ↪ wire the "keep" and "minimize" attributes)

**-no-cost-model** Do not model taint tracking logic area and do not ↪ create a `\_\_glift\_weight` ↪ wire. Only applicable in combination with `create- ↪ instrumented-model`. ↪ (default: model area and give that wire the "keep" and ↪ "minimize" ↪ attributes)

**-instrument-more** Allow choice from more versions of (even simpler) taint ↪ tracking logic. A ↪ total of 8 versions of taint tracking logic will be ↪ added per gate, ↪ including the 4 versions from `create-instrumented- ↪ model` and these ↪ additional versions:

```
y_t = a_t
y_t = b_t
y_t = 1
y_t = 0
```

Only applicable in combination with `create- ↪ instrumented-model`. ↪ (default: do not add more versions of taint tracking ↪ logic.)

**Note**

Help text automatically generated from `passes/cmds/glift.cc:425`

**miter - automatically create a miter circuit**

```
yosys> help miter
```

```
miter -equiv [options] gold_name gate_name miter_name
```

Creates a miter circuit for equivalence checking. The gold- and gate- modules must have the same interfaces. The miter circuit will have all inputs of the two source modules, prefixed with 'in\_'. The miter circuit has a 'trigger' output that goes high if an output mismatch between the two source modules is detected.

|                             |                                                                                                                                                                                                       |
|-----------------------------|-------------------------------------------------------------------------------------------------------------------------------------------------------------------------------------------------------|
| <code>-ignore_gold_x</code> | a undef (x) bit in the gold module output will match<br>↳ any value in<br>the gate module output.                                                                                                     |
| <code>-make_outputs</code>  | also route the gold- and gate-outputs to 'gold_*' and<br>↳ 'gate_*' outputs<br>on the miter circuit.                                                                                                  |
| <code>-make_outcmp</code>   | also create a cmp_* output for each gold/gate output<br>↳ pair.                                                                                                                                       |
| <code>-make_assert</code>   | also create an 'assert' cell that checks if trigger is<br>↳ always low.                                                                                                                               |
| <code>-make_cover</code>    | also create a 'cover' cell for each gold/gate output<br>↳ pair.                                                                                                                                       |
| <code>-flatten</code>       | call 'flatten -wb; opt_expr -keepdc -undriven;;' on the<br>↳ miter circuit.                                                                                                                           |
| <code>-cross</code>         | allow output ports on the gold module to match input<br>↳ ports on the<br>gate module. This is useful when the gold module<br>↳ contains additional<br>logic to drive some of the gate module inputs. |

```
miter -assert [options] module [miter_name]
```

Creates a miter circuit for property checking. All input ports are kept, output ports are discarded. An additional output 'trigger' is created that goes high when an assert is violated. Without a miter\_name, the existing module is modified.

|                            |                                                                             |
|----------------------------|-----------------------------------------------------------------------------|
| <code>-make_outputs</code> | keep module output ports.                                                   |
| <code>-flatten</code>      | call 'flatten -wb; opt_expr -keepdc -undriven;;' on the<br>↳ miter circuit. |

**Note**

Help text automatically generated from `passes/sat/miter.cc:396`

**mutate - generate or apply design mutations**

yosys> help mutate

`mutate -list N [options] [selection]`

Create a list of N mutations using an even sampling.

|                               |                                                                                                                                                                                          |
|-------------------------------|------------------------------------------------------------------------------------------------------------------------------------------------------------------------------------------|
| <code>-o filename</code>      | Write list to this file instead of console output                                                                                                                                        |
| <code>-s filename</code>      | Write a list of all src tags found in the design to the<br>↳ specified file                                                                                                              |
| <code>-seed N</code>          | RNG seed for selecting mutations                                                                                                                                                         |
| <code>-none</code>            | Include a "none" mutation in the output                                                                                                                                                  |
| <code>-ctrl name width</code> | Add the ctrl options to the output. Use 'value' for first<br>↳ mutation, then simply count up from there.                                                                                |
| <code>-mode name</code>       |                                                                                                                                                                                          |
| <code>-module name</code>     |                                                                                                                                                                                          |
| <code>-cell name</code>       |                                                                                                                                                                                          |
| <code>-port name</code>       |                                                                                                                                                                                          |
| <code>-portbit int</code>     |                                                                                                                                                                                          |
| <code>-ctrlbit int</code>     |                                                                                                                                                                                          |
| <code>-wire name</code>       |                                                                                                                                                                                          |
| <code>-wirebit int</code>     |                                                                                                                                                                                          |
| <code>-src string</code>      | Filter list of mutation candidates to those matching<br>the given parameters.                                                                                                            |
| <code>-cfg option int</code>  | Set a configuration option. Options available:<br>weight_pq_w weight_pq_b weight_pq_c weight_pq_s<br>weight_pq_mw weight_pq_mb weight_pq_mc weight_pq_ms<br>weight_cover pick_cover_prct |

```
mutate -mode MODE [options]
```

Apply the given mutation.

```
-ctrl name width value Add a control signal with the given name and width. The
                    ↪ mutation is
                    activated if the control signal equals the given value.

-module name
-cell name
-port name
-portbit int
-ctrlbit int Mutation parameters, as generated by 'mutate -list N'.

-wire name
-wirebit int
-src string Ignored. (They are generated by -list for documentation
            ↪ purposes.)
```

#### Note

Help text automatically generated from `passes/sat/mutate.cc:731`

### qbfsat - solve a 2QBF-SAT problem in the circuit

```
yosys> help qbfsat
```

```
qbfsat [options] [selection]
```

This command solves an "exists-forall" 2QBF-SAT problem defined over the currently selected module. Existentially-quantified variables are declared by assigning a wire "\$anyconst". Universally-quantified variables may be explicitly declared by assigning a wire "\$allconst", but module inputs will be treated as universally-quantified variables by default.

```
-nocleanup Do not delete temporary files and directories. Useful
            ↪ for debugging.

-dump-final-smt2 File Pass the --dump-smt2 option to yosys-smtbmc.

-assume-outputs Add an "$assume" cell for the conjunction of all one-
                ↪ bit module output
                wires.
```

|                                          |                                                                                                                                                                                                                                                                                                                                                                |
|------------------------------------------|----------------------------------------------------------------------------------------------------------------------------------------------------------------------------------------------------------------------------------------------------------------------------------------------------------------------------------------------------------------|
| -assume-negative-polarity                | <p>When adding \$assume cells for one-bit module output wires, assume they are negative polarity signals and should always be low, for example like the miters created with the `miter` command.</p>                                                                                                                                                           |
| -nooptimize                              | <p>Ignore "\minimize" and "\maximize" attributes, do not emit "(maximize)" or "(minimize)" in the SMT-LIBv2, and generally make no attempt to optimize anything.</p>                                                                                                                                                                                           |
| -nobisection                             | <p>If a wire is marked with the "\minimize" or "\maximize" attribute, do not attempt to optimize that value with the default iterated solving and threshold bisection approach. Instead, have yosys-smtbmc emit a "(minimize)" or "(maximize)" command in the SMT-LIBv2 output and hope that the solver supports optimizing quantified bitvector problems.</p> |
| -solver <solver>                         | <p>Use a particular solver. Choose one of: "z3", "yices", "cvc4" and "cvc5". (default: yices)</p>                                                                                                                                                                                                                                                              |
| -solver-option <name> <value>            | <p>See the specified solver option in the SMT-LIBv2 problem file.</p>                                                                                                                                                                                                                                                                                          |
| -timeout <value>                         | <p>Set the per-iteration timeout in seconds. (default: no timeout)</p>                                                                                                                                                                                                                                                                                         |
| -00, -01, -02                            | <p>Control the use of ABC to simplify the QBF-SAT problem before solving.</p>                                                                                                                                                                                                                                                                                  |
| -sat                                     | <p>Generate an error if the solver does not return "sat".</p>                                                                                                                                                                                                                                                                                                  |
| -unsat                                   | <p>Generate an error if the solver does not return "unsat".</p>                                                                                                                                                                                                                                                                                                |
| -show-smtbmc                             | <p>Print the output from yosys-smtbmc.</p>                                                                                                                                                                                                                                                                                                                     |
| -specialize                              | <p>If the problem is satisfiable, replace each "\$anyconst" cell with its corresponding constant value from the model produced by the solver.</p>                                                                                                                                                                                                              |
| -specialize-from-file <description file> | <p>Do as in the file, but instead only attempt to replace each</p>                                                                                                                                                                                                                                                                                             |

(continues on next page)

(continued from previous page)

"\$anyconst" cell in the current module with a constant value provided by the specified file.

`-write-solution <file>` If the problem is satisfiable, write the corresponding constant value for each "\$anyconst" cell from the model produced by the solver to the specified file.

**Note**

Help text automatically generated from `passes/sat/qbfsat.cc:507`

**sat - solve a SAT problem in the circuit**

yosys> help sat

sat [options] [selection]

This command solves a SAT problem defined over the currently selected circuit and additional constraints passed as parameters.

`-all` show all solutions to the problem (this can grow exponentially, use

`-max <N>` instead to get <N> solutions)

`-max <N>` like `-all`, but limit number of solutions to <N>

`-enable_undef` enable modeling of undef value (aka 'x-bits') this option is implied by `-set-def`, `-set-undef` et cetera

`-max_undef` maximize the number of undef bits in solutions, giving a better picture of which input bits are actually vital to the solution.

`-set <signal> <value>` set the specified signal to the specified value.

`-set-def <signal>` add a constraint that all bits of the given signal must be defined

`-set-any-undef <signal>` add a constraint that at least one bit of the given signal is undefined

- set-all-undef <signal> constraint that all bits of the given signal are undefined
- set-def-inputs add -set-def constraints for all module inputs
- set-def-formal add -set-def constraints for formal \$anyinit, \$anyconst, \$anyseq cells
- show <signal> show the model for the specified signal. if no -show option is passed then a set of signals to be shown is automatically selected.
- show-inputs, -show-outputs, -show-inputs/output show (input/output) ports to the list of shown signals
- show-regs, -show-should, -show-regs, show signals with 'public' names, show all signals
- ignore-div-by-zero ignore all solutions that involve a division by zero
- ignore-unknown-cells ignore all cells that can not be matched to a SAT model

The following options can be used to set up a sequential problem:

- seq <N> set up a sequential problem with <N> time steps. The steps will be numbered from 1 to N.  
note: for large <N> it can be significantly faster to use
- tempinduct-baseonly -maxsteps <N> instead of -seq <N>.
- set-at <N> <signal> <value>
- unset-at <N> <signal> unset the specified signal to the specified value in the given timestep. this has priority over a -set for the same signal.
- set-assumes set all assumptions provided via \$assume cells
- set-def-at <N> <signal>
- set-any-undef-at <N> <signal>
- set-all-undef-at <N> <signal> constraints in the given timestep.

|                                                     |                                                                                                                            |
|-----------------------------------------------------|----------------------------------------------------------------------------------------------------------------------------|
| <code>-set-init &lt;signal&gt; &lt;value&gt;</code> | initial value for the register driving the<br>↪ signal to the value                                                        |
| <code>-set-init-undef</code>                        | set all initial states (not set using <code>-set-init</code> ) to<br>↪ undef                                               |
| <code>-set-init-def</code>                          | do not force a value for the initial state but do not<br>↪ allow undef                                                     |
| <code>-set-init-zero</code>                         | set all initial states (not set using <code>-set-init</code> ) to zero                                                     |
| <code>-dump_vcd &lt;vcd-file&gt;</code>             | dump SAT model (counter example in proof) to VCD file                                                                      |
| <code>-dump_json &lt;json-file&gt;</code>           | dump SAT model (counter example in proof) to a WaveJSON<br>↪ file.                                                         |
| <code>-dump_cnf &lt;cnf-file&gt;</code>             | dump CNF of SAT problem (in DIMACS format). in temporal<br>↪ induction proofs this is the CNF of the first induction step. |

The following additional options can be used to set up a proof. If also `-seq` is passed, a temporal induction proof is performed.

|                                         |                                                                                                                                                                                                                                                                  |
|-----------------------------------------|------------------------------------------------------------------------------------------------------------------------------------------------------------------------------------------------------------------------------------------------------------------|
| <code>-tempinduct</code>                | Perform a temporal induction proof. In a temporal<br>↪ induction proof it is proven that the condition holds forever after the<br>↪ number of time steps specified using <code>-seq</code> .                                                                     |
| <code>-tempinduct-def</code>            | Perform a temporal induction proof. Assume an initial<br>↪ state with all registers set to defined values for the induction step.                                                                                                                                |
| <code>-tempinduct-baseonly</code>       | Only the basecase half of temporal induction<br>↪ (requires <code>-maxsteps</code> )                                                                                                                                                                             |
| <code>-tempinduct-inductiononly</code>  | Only the induction half of temporal induction                                                                                                                                                                                                                    |
| <code>-tempinduct-skip &lt;N&gt;</code> | Skip the first <code>&lt;N&gt;</code> steps of the induction proof.<br>note: this will assume that the base case holds for <code>&lt;N&gt;</code><br>↪ steps.<br>this must be proven independently with " <code>-tempinduct-</code><br>↪ <code>baseonly</code> " |
| <code>-maxsteps &lt;N&gt;</code>        | Use <code>&lt;N&gt;</code> as the number of steps to set a                                                                                                                                                                                                       |

|                                                    |                                                                                                                                                                   |
|----------------------------------------------------|-------------------------------------------------------------------------------------------------------------------------------------------------------------------|
| <code>-prove &lt;signal&gt; &lt;value&gt;</code>   | Attempt to prove that <signal> is always <value>.                                                                                                                 |
| <code>-prove-x &lt;signal&gt; &lt;value&gt;</code> | Like <code>-prove</code> , but an undef (x) bit in the lhs matches<br>↪ any value on<br>the right hand side. Useful for equivalence checking.                     |
| <code>-prove-asserts</code>                        | Prove that all asserts in the design hold.                                                                                                                        |
| <code>-prove-skip &lt;N&gt;</code>                 | Do not enforce the prove-condition for the first <N><br>↪ time steps.                                                                                             |
| <code>-maxsteps &lt;N&gt;</code>                   | Set a maximum length for the induction.                                                                                                                           |
| <code>-initsteps &lt;N&gt;</code>                  | Set initial length for the induction.<br>This will speed up the search of the right induction<br>↪ length<br>for deep induction proofs.                           |
| <code>-stepsize &lt;N&gt;</code>                   | Increase the size of the induction proof in steps of <N><br>↪ .<br>This will speed up the search of the right induction<br>↪ length<br>for deep induction proofs. |
| <code>-timeout &lt;N&gt;</code>                    | Maximum number of seconds a single SAT instance may<br>↪ take.                                                                                                    |
| <code>-select-solver &lt;name&gt;</code>           | Select SAT solver implementation for this invocation.<br>If not given, uses scratchpad key 'sat.solver' if set,<br>↪ otherwise default.                           |
| <code>-verify</code>                               | Return an error and stop the synthesis script if the<br>↪ proof fails.                                                                                            |
| <code>-verify-no-timeout</code>                    | Like <code>-verify</code> but do not return an error for timeouts.                                                                                                |
| <code>-falsify</code>                              | Return an error and stop the synthesis script if the<br>↪ proof succeeds.                                                                                         |
| <code>-falsify-no-timeout</code>                   | Like <code>-falsify</code> but do not return an error for timeouts.                                                                                               |

**Note**

Help text automatically generated from `passes/sat/sat.cc:918`

**supercover - add hi/lo cover cells for each wire bit**

```
yosys> help supercover
```

```
supercover [options] [selection]
```

This command adds two cover cells for each bit of each selected wire, one checking for a hi signal level and one checking for lo level.

**Note**

Help text automatically generated from `passes/sat/supercover.cc:28`

**synthprop - synthesize SVA properties**

```
yosys> help synthprop
```

```
synthprop [options]
```

This creates synthesizable properties for the selected module.

- `-name <portname>` name of the output port for assertions (default: `assertions`).
- `-map <filename>` write the port mapping for synthesizable properties into the given file.
- `-or_outputs` Or all outputs together to create a single output that goes high when any property is violated, instead of generating individual output bits.
- `-reset <portname>` name of the top-level reset input. Latch a high state on the generated outputs until an asynchronous top-level reset input is activated.
- `-resetn <portname>` like above but with inverse polarity

**Note**

Help text automatically generated from `passes/sat/synthprop.cc:182`

**xprop - formal x propagation**

yosys&gt; help xprop

xprop [options] [selection]

This pass transforms the circuit into an equivalent circuit that explicitly encodes the propagation of x values using purely 2-valued logic. On the interface between xprop-transformed and non-transformed parts of the design, appropriate conversions are inserted automatically.

**-split-inputs****-split-outputs****-split-ports**

Replace each input/output/port with two new ports, one  
 ↳ carrying the  
 defined values (named <portname>\_d) and one carrying  
 ↳ the mask of which  
 bits are x (named <portname>\_x). When a bit in the  
 ↳ <portname>\_x is set  
 the corresponding bit in <portname>\_d is ignored for  
 ↳ inputs and  
 guaranteed to be 0 for outputs.

**-split-public**

Replace each public non-port wire with two new wires,  
 ↳ one carrying the  
 defined values (named <wirename>\_d) and one carrying  
 ↳ the mask of which  
 bits are x (named <wirename>\_x). When a bit in the  
 ↳ <portname>\_x is set  
 the corresponding bit in <wirename>\_d is guaranteed to  
 ↳ be 0 for  
 outputs.

**-assume-encoding**

Add encoding invariants as assumptions. This can speed  
 ↳ up formal  
 verification tasks.

**-assert-encoding**

Add encoding invariants as assertions. Used for testing  
 ↳ the xprop  
 pass itself.

**-assume-def-inputs**

Assume all inputs are fully defined. This adds  
 ↳ corresponding  
 assumptions to the design and uses these assumptions to  
 ↳ optimize the  
 xprop encoding.

**-required**

Produce a runtime error if any encountered cell could  
 ↳ not be encoded.

`-formal`

Produce a runtime error if any encoded cell uses a  
 ↪ signal that is

neither known to be non-x nor driven by another encoded cell.

`-debug-asserts`

Add assertions checking that the encoding used by this  
 ↪ pass never  
 produces x values within the encoded signals.

### Note

Help text automatically generated from `passes/cmds/xprop.cc:1107`

## 10.1.6 Passes

### Working with hierarchy

#### flatten - flatten design

yosys> help flatten

```
flatten [options] [selection]
```

This pass flattens the design by replacing cells by their implementation. This pass is very similar to the 'techmap' pass. The only difference is that this pass is using the current design as mapping library.

Cells and/or modules with the 'keep\_hierarchy' attribute set will not be flattened by this command.

`-wb`

Ignore the 'whitebox' attribute on cell implementations.

`-noscopeinfo`

Do not create '\$scopeinfo' cells that preserve  
 ↪ attributes of cells and  
 modules that were removed during flattening. With this  
 ↪ option, the  
 'src' attribute of a given cell is merged into all  
 ↪ objects replacing  
 that cell, with multiple distinct 'src' locations  
 ↪ separated by '|'.  
 Without this option these 'src' locations can be found  
 ↪ via the  
 cell\_src' and 'module\_src' attribute of '\$scopeinfo'  
 ↪ cells.

`-scopename`

Create 'scopename' attributes for objects with a  
 ↪ private name. This  
 attribute records the 'hdlname' of the enclosing scope.

(continues on next page)

(continued from previous page)

↪For objects with a public name the enclosing scope can be found via ↪  
 ↪their 'hdlname' attribute.

**-separator <char>** Use this separator char instead of '.' when ↪  
 ↪concatenating design levels.

**-nocleanup** Don't remove unused submodules, leave a flattened ↪  
 ↪version of each submodule in the design.

**Note**

Help text automatically generated from passes/hierarchy/flatten.cc:334

**hierarchy - check, expand and clean up design hierarchy**

yosys> help hierarchy

**hierarchy [-check] [-top <module>]**

**hierarchy -generate <cell-types> <port-decls>**

In parametric designs, a module might exist in several variations with different parameter values. This pass looks at all modules in the current design and re-runs the language frontends for the parametric modules as needed. It also resolves assignments to wired logic data types (wand/wor), resolves positional module parameters, unrolls array instances, and more.

**-check** also check the design hierarchy. this generates an ↪  
 ↪error when an unknown module is used as cell type.

**-simcheck** like -check, but also throw an error if blackbox ↪  
 ↪modules are instantiated, and throw an error if the design has no ↪  
 ↪top module.

**-smtcheck** like -simcheck, but allow smtlib2\_module modules.

**-purge\_lib** by default the hierarchy command will not remove ↪  
 ↪library (blackbox) modules. use this option to also remove unused blackbox ↪  
 ↪modules.

**-libdir <directory>** search for files named <module\_name>.v in the specified ↪  
 ↪directory

(continues on next page)

(continued from previous page)

|                                  |                                                                                                                                                                                                                                                                                                                                                                                 |
|----------------------------------|---------------------------------------------------------------------------------------------------------------------------------------------------------------------------------------------------------------------------------------------------------------------------------------------------------------------------------------------------------------------------------|
|                                  | for unknown modules and automatically run <code>read_verilog</code><br>↳ for each<br>unknown module.                                                                                                                                                                                                                                                                            |
| <code>-keep_positionals</code>   | per default this pass also converts positional<br>↳ arguments in cells<br>to arguments using port names. This option disables<br>↳ this behavior.                                                                                                                                                                                                                               |
| <code>-keep_portwidths</code>    | per default this pass adjusts the port width on cells<br>↳ that are<br>module instances when the width does not match the<br>↳ module port. This<br>option disables this behavior.                                                                                                                                                                                              |
| <code>-nodefaults</code>         | do not resolve input port default values                                                                                                                                                                                                                                                                                                                                        |
| <code>-nokeep_prints</code>      | per default this pass sets the "keep" attribute on all<br>↳ modules<br>that directly or indirectly display text on the<br>↳ terminal.<br>This option disables this behavior.                                                                                                                                                                                                    |
| <code>-nokeep_asserts</code>     | per default this pass sets the "keep" attribute on all<br>↳ modules<br>that directly or indirectly contain one or more formal<br>↳ properties.<br>This option disables this behavior.                                                                                                                                                                                           |
| <code>-top &lt;module&gt;</code> | use the specified top module to build the design<br>↳ hierarchy. Modules<br>outside this tree (unused modules) are removed.<br><br>when the <code>-top</code> option is used, the 'top' attribute will<br>↳ be set on the<br>specified top module. otherwise a module with the 'top'<br>↳ attribute set<br>will implicitly be used as top module, if such a module<br>↳ exists. |
| <code>-auto-top</code>           | automatically determine the top of the design hierarchy<br>↳ and mark it.                                                                                                                                                                                                                                                                                                       |
| <code>-chparam name value</code> | elaborate the top module using this parameter value.<br>↳ Modules on which<br>this parameter does not exist may cause a warning<br>↳ message to be output.<br>This option can be specified multiple times to override<br>↳ multiple                                                                                                                                             |

(continues on next page)

(continued from previous page)

```
parameters. String values must be passed in double
↳quotes (").
```

In `-generate` mode this pass generates blackbox modules for the given cell types (wildcards supported). For this the design is searched for cells that match the given types and then the given port declarations are used to determine the direction of the ports. The syntax for a port declaration is:

```
{i|o|io}[@<num>]:<portname>
```

Input ports are specified with the 'i' prefix, output ports with the 'o' prefix and inout ports with the 'io' prefix. The optional `<num>` specifies the position of the port in the parameter list (needed when instantiated using positional arguments). When `<num>` is not specified, the `<portname>` can also contain wildcard characters.

This pass ignores the current selection and always operates on all modules in the current design.

#### Note

Help text automatically generated from `passes/hierarchy/hierarchy.cc:757`

### keep\_hierarchy - selectively add the keep\_hierarchy attribute

```
yosys> help keep_hierarchy
```

```
keep_hierarchy [options] [selection]
```

```
Add the keep_hierarchy attribute.
```

```
-min_cost <min_cost> only add the attribute to modules estimated to have
↳more than <min_cost>
gates after simple techmapping. Intended for tuning
↳trade-offs between
quality and yosys runtime.

When evaluating a module's cost, gates which are within
↳a submodule
which is marked with the keep_hierarchy attribute are
↳not counted
towards the upper module's cost. This applies to both
↳when the attribute
was added by this command or was pre-existing.
```

#### Note

Help text automatically generated from `passes/hierarchy/keep_hierarchy.cc:82`

**submod - moving part of a module to a new submodule**

```
yosys> help submod
```

```
submod [options] [selection]
```

This pass identifies all cells with the 'submod' attribute and moves them to a newly created module. The value of the attribute is used as name for the cell that replaces the group of cells with the same attribute value.

This pass can be used to create a design hierarchy in flat design. This can be useful for analyzing or reverse-engineering a design.

This pass only operates on completely selected modules with no processes or memories.

**-copy**

by default the cells are 'moved' from the source module,  
 ↳and the source  
 module will use an instance of the new module after,  
 ↳this command is  
 finished. call with -copy to not modify the source,  
 ↳module.

**-name <name>**

don't use the 'submod' attribute but instead use the  
 ↳selection. only  
 objects from one module might be selected. the value of  
 ↳the -name option  
 is used as the value of the 'submod' attribute instead.

**-hidden**

instead of creating submodule ports with public names,  
 ↳create ports with  
 private names so that a subsequent 'flatten; clean'  
 ↳call will restore  
 the original module with original public names.

**Note**

Help text automatically generated from `passes/hierarchy/submod.cc:322`

**uniquify - create unique copies of modules**

```
yosys> help uniquify
```

```
uniquify [selection]
```

By default, a module that is instantiated by several other modules is only kept once in the design. This preserves the original modularity of the design and reduces the overall size of the design in memory. But it prevents certain optimizations and other operations on the design. This pass creates unique modules for all selected cells. The created modules are marked with the

(continues on next page)

(continued from previous page)

'unique' attribute.

This commands only operates on modules that by themselves have the 'unique' attribute set (the 'top' module is unique implicitly).

### Note

Help text automatically generated from `passes/hierarchy/uniqify.cc:26`

## Converting process blocks

### proc - translate processes to netlists

yosys> help proc

proc [options] [selection]

This pass calls all the other proc\_\* passes in the most common order.

```
proc_clean
proc_rmdead
proc_prune
proc_init
proc_arst
proc_rom
proc_mux
proc_dlatch
proc_dff
proc_memwr
proc_clean
opt_expr -keepdc
```

This replaces the processes in the design with multiplexers, flip-flops and latches.

The following options are supported:

|                                                 |                                                                                                                              |
|-------------------------------------------------|------------------------------------------------------------------------------------------------------------------------------|
| <code>-nomux</code>                             | Will omit the <code>proc_mux</code> pass.                                                                                    |
| <code>-norom</code>                             | Will omit the <code>proc_rom</code> pass.                                                                                    |
| <code>-global_arst [!] &lt;this same&gt;</code> | This option is passed through to <code>proc_arst</code> .                                                                    |
| <code>-ifx</code>                               | This option is passed through to <code>proc_mux</code> . <code>proc_rmdead</code> is not executed in <code>-ifx</code> mode. |
| <code>-noopt</code>                             | Will omit the <code>opt_expr</code> pass.                                                                                    |

**Note**

Help text automatically generated from `passes/proc/proc.cc:29`

**proc\_arst - detect asynchronous resets**

```
yosys> help proc_arst
```

```
proc_arst [-global_arst [!]<netname>] [selection]
```

This pass identifies asynchronous resets in the processes and converts them to a different internal representation that is suitable for generating flip-flop cells with asynchronous resets.

```
-global_arst [!]<netname>
    netnames that have a net with the given name, use
    ↳ this net as async
    reset for registers that have been assign initial
    ↳ values in their
    declaration ('reg foobar = constant_value;'). Use the '!'
    ↳ modifier for
    active low reset signals. Note: the frontend stores the
    ↳ default value
    in the 'init' attribute on the net.
```

**Note**

Help text automatically generated from `passes/proc/proc_arst.cc:247`

**proc\_clean - remove empty parts of processes**

```
yosys> help proc_clean
```

```
proc_clean [options] [selection]
```

```
-quiet          do not print any messages.
```

This pass removes empty parts of processes and ultimately removes a process if it contains only empty structures.

**Note**

Help text automatically generated from `passes/proc/proc_clean.cc:180`

**proc\_dff - extract flip-flops from processes**

```
yosys> help proc_dff
```

```
proc_dff [selection]
```

This pass identifies flip-flops in the processes and converts them to d-type flip-flop cells.

**Note**

Help text automatically generated from `passes/proc/proc_dff.cc:292`

**proc\_dlatch - extract latches from processes**

```
yosys> help proc_dlatch
```

```
proc_dlatch [selection]
```

This pass identifies latches in the processes and converts them to d-type latches.

**Note**

Help text automatically generated from `passes/proc/proc_dlatch.cc:456`

**proc\_init - convert initial block to init attributes**

```
yosys> help proc_init
```

```
proc_init [selection]
```

This pass extracts the 'init' actions from processes (generated from Verilog 'initial' blocks) and sets the initial value to the 'init' attribute on the respective wire.

**Note**

Help text automatically generated from `passes/proc/proc_init.cc:74`

**proc\_memwr - extract memory writes from processes**

```
yosys> help proc_memwr
```

```
proc_memwr [selection]
```

This pass converts memory writes in processes into \$memwr cells.

**Note**

Help text automatically generated from passes/proc/proc\_memwr.cc:86

### proc\_mux - convert decision trees to multiplexers

```
yosys> help proc_mux
```

```
proc_mux [options] [selection]
```

This pass converts the decision trees in processes (originating from if-else and case statements) to trees of multiplexer cells.

```
-ifx
```

Use Verilog simulation behavior with respect to undefu  
 ↪ values in  
 'case' expressions and 'if' conditions.

**Note**

Help text automatically generated from passes/proc/proc\_mux.cc:440

### proc\_prune - remove redundant assignments

```
yosys> help proc_prune
```

```
proc_prune [selection]
```

This pass identifies assignments in processes that are always overwritten by a later assignment to the same signal and removes them.

**Note**

Help text automatically generated from passes/proc/proc\_prune.cc:112

### proc\_rmdead - eliminate dead trees in decision trees

```
yosys> help proc_rmdead
```

```
proc_rmdead [selection]
```

This pass identifies unreachable branches in decision trees and removes them.

**Note**

Help text automatically generated from `passes/proc/proc_rmdead.cc:133`

**proc\_rom - convert switches to ROMs**

yosys> help proc\_rom

proc\_rom [selection]

This pass converts switches into read-only memories when appropriate.

**Note**

Help text automatically generated from `passes/proc/proc_rom.cc:229`

**FSM handling****fsm - extract and optimize finite state machines**

yosys> help fsm

fsm [options] [selection]

This pass calls all the other fsm\_\* passes in a useful order. This performs FSM extraction and optimization. It also calls opt\_clean as needed:

```
fsm_detect          unless got option -nodetect
fsm_extract

fsm_opt
opt_clean
fsm_opt

fsm_expand          if got option -expand
opt_clean           if got option -expand
fsm_opt             if got option -expand

fsm_recode          unless got option -norecode

fsm_info

fsm_export          if got option -export
fsm_map             unless got option -nomap
```

Options:

`-expand, -norecode, -export, -nomap` enable/disable passes as indicated above

`-fullexpand` call expand with `-full` option

```
-encoding type
-fm_set_fsm_file file
-encfile file
```

passed through to fsm\_recode pass

This pass uses a subset of FF types to detect FSMs. Run 'opt -nosdff -nodffe' before this pass to prepare the design.

#### **Note**

Help text automatically generated from passes/fsm/fsm.cc:29

### fsm\_detect - finding FSMs in design

```
yosys> help fsm_detect
```

```
fsm_detect [options] [selection]
```

This pass detects finite state machines by identifying the state signal. The state signal is then marked by setting the attribute 'fsm\_encoding' on the state signal to "auto".

```
-ignore-self-reset
```

Mark FSMs even if they are self-resetting

Existing 'fsm\_encoding' attributes are not changed by this pass.

Signals can be protected from being detected by this pass by setting the 'fsm\_encoding' attribute to "none".

This pass uses a subset of FF types to detect FSMs. Run 'opt -nosdff -nodffe' before this pass to prepare the design for fsm\_detect.

#### **Note**

Help text automatically generated from passes/fsm/fsm\_detect.cc:266

### fsm\_expand - expand FSM cells by merging logic into it

```
yosys> help fsm_expand
```

```
fsm_expand [-full] [selection]
```

The fsm\_extract pass is conservative about the cells that belong to a finite state machine. This pass can be used to merge additional auxiliary gates into the finite state machine.

By default, fsm\_expand is still a bit conservative regarding merging larger word-wide cells. Call with -full to consider all cells for merging.

**Note**

Help text automatically generated from `passes/fsm/fsm_expand.cc:267`

**fsm\_export - exporting FSMs to KISS2 files**

```
yosys> help fsm_export
```

```
fsm_export [-noauto] [-o filename] [-origenc] [selection]
```

This pass creates a KISS2 file for every selected FSM. For FSMs with the 'fsm\_export' attribute set, the attribute value is used as filename, otherwise the module and cell name is used as filename. If the parameter '-o' is given, the first exported FSM is written to the specified filename. This overwrites the setting as specified with the 'fsm\_export' attribute. All other FSMs are exported to the default name as mentioned above.

`-noauto`

only export FSMs that have the 'fsm\_export' attribute  
↪ set

`-o filename`

filename of the first exported FSM

`-origenc`

use binary state encoding as state names instead of s0,  
↪ s1, ...

**Note**

Help text automatically generated from `passes/fsm/fsm_export.cc:122`

**fsm\_extract - extracting FSMs in design**

```
yosys> help fsm_extract
```

```
fsm_extract [selection]
```

This pass operates on all signals marked as FSM state signals using the 'fsm\_encoding' attribute. It consumes the logic that creates the state signal and uses the state signal to generate control signal and replaces it with an FSM cell.

The generated FSM cell still generates the original state signal with its original encoding. The 'fsm\_opt' pass can be used in combination with the 'opt\_clean' pass to eliminate this signal.

**Note**

Help text automatically generated from `passes/fsm/fsm_extract.cc:417`

### fsm\_info - print information on finite state machines

```
yosys> help fsm_info
```

```
fsm_info [selection]
```

This pass dumps all internal information on FSM cells. It can be useful for analyzing the synthesis process and is called automatically by the 'fsm' pass so that this information is included in the synthesis log file.

#### Note

Help text automatically generated from passes/fsm/fsm\_info.cc:32

### fsm\_map - mapping FSMs to basic logic

```
yosys> help fsm_map
```

```
fsm_map [selection]
```

This pass translates FSM cells to flip-flops and logic.

#### Note

Help text automatically generated from passes/fsm/fsm\_map.cc:324

### fsm\_opt - optimize finite state machines

```
yosys> help fsm_opt
```

```
fsm_opt [selection]
```

This pass optimizes FSM cells. It detects which output signals are actually not used and removes them from the FSM. This pass is usually used in combination with the 'opt\_clean' pass (see also 'help fsm').

#### Note

Help text automatically generated from passes/fsm/fsm\_opt.cc:329

### fsm\_recode - recoding finite state machines

```
yosys> help fsm_recode
```

```
fsm_recode [options] [selection]
```

This pass reassign the state encodings for FSM cells. At the moment only one-hot encoding and binary encoding is supported.

```
-encoding <type> specify the encoding scheme used for FSMs without the
                  'fsm_encoding' attribute or with the attribute set to
                  ↪ `auto'.

-fm_set_fsm_file <file> generate a file containing the mapping from old to new
                  ↪ FSM encoding
                  in form of Synopsys Formality set_fsm_* commands.

-encfile <file> write the mappings from old to new FSM encoding to a
                ↪ file in the
                following format:

                .fsm <module_name> <state_signal>
                .map <old_bitpattern> <new_bitpattern>
```

**Note**

Help text automatically generated from passes/fsm/fsm\_recode.cc:129

**Memory handling****memory - translate memories to basic cells**

```
yosys> help memory
```

```
memory [-norom] [-nomap] [-nordff] [-nowiden] [-nosat] [-memx] [-no-rw-check]
[-bram <bram_rules>] [selection]
```

This pass calls all the other memory\_\* passes in a useful order:

```
opt_mem
opt_mem_priority
opt_mem_feedback
memory_bmux2rom (skipped if called with -norom)
memory_dff [-no-rw-check] (skipped if called with -nordff or -memx)
opt_clean
memory_share [-nowiden] [-nosat]
opt_mem_widen
memory_memx (when called with -memx)
opt_clean
memory_collect
memory_bram -rules <bram_rules> (when called with -bram)
memory_map (skipped if called with -nomap)
```

This converts memories to word-wide DFFs and address decoders or multiport memory blocks if called with the -nomap option.

**Note**

Help text automatically generated from passes/memory/memory.cc:29

**memory\_bmux2rom - convert muxes to ROMs**

```
yosys> help memory_bmux2rom
```

```
memory_bmux2rom [options] [selection]
```

This pass converts \$bmux cells with constant A input to ROMs.

**Note**

Help text automatically generated from passes/memory/memory\_bmux2rom.cc:28

**memory\_bram - map memories to block rams**

```
yosys> help memory_bram
```

```
memory_bram -rules <rule_file> [selection]
```

This pass converts the multi-port \$mem memory cells into block ram instances. The given rules file describes the available resources and how they should be used.

The rules file contains configuration options, a set of block ram description and a sequence of match rules.

The option 'attr\_icase' configures how attribute values are matched. The value 0 means case-sensitive, 1 means case-insensitive.

A block ram description looks like this:

```
bram RAMB1024X32      # name of BRAM cell
  init 1              # set to '1' if BRAM can be initialized
  abits 10            # number of address bits
  dbits 32            # number of data bits
  groups 2           # number of port groups
  ports 1 1          # number of ports in each group
  wrmode 1 0         # set to '1' if this groups is write ports
  enable 4 1         # number of enable bits
  transp 0 2         # transparent (for read ports)
  clocks 1 2         # clock configuration
  clkpol 2 2         # clock polarity configuration
endbram
```

For the option 'transp' the value 0 means non-transparent, 1 means transparent and a value greater than 1 means configurable. All groups with the same value greater than 1 share the same configuration bit.

For the option 'clocks' the value 0 means non-clocked, and a value greater than 0 means clocked. All groups with the same value share the same clock signal.

For the option 'clkpol' the value 0 means negative edge, 1 means positive edge

(continues on next page)

(continued from previous page)

and a value greater than 1 means configurable. All groups with the same value greater than 1 share the same configuration bit.

Using the same bram name in different bram blocks will create different variants of the bram. Verilog configuration parameters for the bram are created as needed.

It is also possible to create variants by repeating statements in the bram block and appending '@<label>' to the individual statements.

A match rule looks like this:

```
match RAMB1024X32
  max waste 16384    # only use this bram if <= 16k ram bits are unused
  min efficiency 80 # only use this bram if efficiency is at least 80%
endmatch
```

It is possible to match against the following values with min/max rules:

```
words ..... number of words in memory in design
abits ..... number of address bits on memory in design
dbits ..... number of data bits on memory in design
wports ..... number of write ports on memory in design
rports ..... number of read ports on memory in design
ports ..... number of ports on memory in design
bits ..... number of bits in memory in design
dups ..... number of duplications for more read ports

awaste ..... number of unused address slots for this match
dwaste ..... number of unused data bits for this match
bwaste ..... number of unused bram bits for this match
waste ..... total number of unused bram bits (bwaste*dups)
efficiency ... total percentage of used and non-duplicated bits

acells ..... number of cells in 'address-direction'
dcells ..... number of cells in 'data-direction'
cells ..... total number of cells (acells*dcells*dups)
```

A match containing the command 'attribute' followed by a list of space separated 'name[=string\_value]' values requires that the memory contains any one of the given attribute name and string values (where specified), or name and integer 1 value (if no string\_value given, since Verilog will interpret '(\* attr \*)' as '(\* attr=1 \*)').

A name prefixed with '!' indicates that the attribute must not exist.

The interface for the created bram instances is derived from the bram description. Use 'techmap' to convert the created bram instances into instances of the actual bram cells of your target architecture.

A match containing the command 'or\_next\_if\_better' is only used if it has a higher efficiency than the next match (and the one after that if the next also has 'or\_next\_if\_better' set, and so forth).

(continues on next page)

(continued from previous page)

A match containing the command 'make\_transp' will add external circuitry to simulate 'transparent read', if necessary.

A match containing the command 'make\_outreg' will add external flip-flops to implement synchronous read ports, if necessary.

A match containing the command 'shuffle\_enable A' will re-organize the data bits to accommodate the enable pattern of port A.

**Note**

Help text automatically generated from passes/memory/memory\_bram.cc:1203

**memory\_collect - creating multi-port memory cells**

```
yosys> help memory_collect
```

```
memory_collect [selection]
```

This pass collects memories and memory ports and creates generic multiport memory cells.

**Note**

Help text automatically generated from passes/memory/memory\_collect.cc:27

**memory\_dff - merge input/output DFFs into memory read ports**

```
yosys> help memory_dff
```

```
memory_dff [-no-rw-check] [selection]
```

This pass detects DFFs at memory read ports and merges them into the memory port. I.e. it consumes an asynchronous memory port and the flip-flops at its interface and yields a synchronous memory port.

```
-no-rw-check
```

marks all recognized read ports as "return don't-care\_  
↪value on  
read/write collision" (same result as setting the no\_rw\_  
↪check  
attribute on all memories).

**Note**

Help text automatically generated from passes/memory/memory\_dff.cc:627

**memory\_libmap - map memories to cells**

```
yosys> help memory_libmap
```

```
memory_libmap -lib <library_file> [-D <condition>] [selection]
```

This pass takes a description of available RAM cell types and maps all selected memories to one of them, or leaves them to be mapped to FFs.

- lib <library\_file> Selects a library file containing RAM cell definitions.
  - ↪ This option can be passed more than once to select multiple libraries.
  - ↪ See passes/memory/memlib.md for description of the library format.
  
- D <condition> Enables a condition that can be checked within the library file
  - ↪ to eg. select between slightly different hardware variants.
  - ↪ This option can be passed any number of times.
  
- logic-cost-rom <num>
- logic-cost-ram <num> Sets the cost of a single bit for memory lowered to soft logic.
  
- no-auto-distributed
- no-auto-block
- no-auto-huge Disables automatic mapping of given kind of RAMs.
  - ↪ Manual mapping (using ram\_style or other attributes) is still supported.
  
- force-params Always generate memories with WIDTH and ABITS parameters.

**Note**

Help text automatically generated from passes/memory/memory\_libmap.cc:2155

**memory\_map - translate multiport memories to basic cells**

```
yosys> help memory_map
```

```
memory_map [options] [selection]
```

This pass converts multiport memory cells as generated by the memory\_collect pass to word-wide DFFs and address decoders.

|                                                 |                                                                                                                                                                                                                                               |
|-------------------------------------------------|-----------------------------------------------------------------------------------------------------------------------------------------------------------------------------------------------------------------------------------------------|
| <code>-attr !&lt;name&gt;</code>                | do not map memories that have attribute <name> set.                                                                                                                                                                                           |
| <code>-attr &lt;name&gt;[=&lt;value&gt;]</code> | map memories that have attribute <name> set, only map them if its value is a string <value> (if specified), or an integer 1 (otherwise). if this option is specified multiple times, map the memory if the attribute is to any of the values. |
| <code>-iattr</code>                             | for -attr, suppress case sensitivity in matching of <value>.                                                                                                                                                                                  |
| <code>-rom-only</code>                          | only perform conversion for ROMs (memories with no write ports).                                                                                                                                                                              |
| <code>-keepdc</code>                            | when mapping ROMs, keep x-bits shared across read ports.                                                                                                                                                                                      |
| <code>-formal</code>                            | map memories for a global clock based formal verification flow. This implies -keepdc, uses \$ff cells for ROMs and sets hdlname attributes. It also has limited support for async write ports as generated by clk2fflogic.                    |

**Note**

Help text automatically generated from passes/memory/memory\_map.cc:398

**memory\_memx - emulate vlog sim behavior for mem ports**

yosys> help memory\_memx

memory\_memx [selection]

This pass adds additional circuitry that emulates the Verilog simulation behavior for out-of-bounds memory reads and writes.

**Note**

Help text automatically generated from passes/memory/memory\_memx.cc:27

**memory\_narrow - split up wide memory ports**

yosys> help memory\_narrow

```
memory_narrow [options] [selection]
```

This pass splits up wide memory ports into several narrow ports.

**Note**

Help text automatically generated from `passes/memory/memory_narrow.cc:28`

### memory\_nordff - extract read port FFs from memories

```
yosys> help memory_nordff
```

```
memory_nordff [options] [selection]
```

This pass extracts FFs from memory read ports. This results in a netlist similar to what one would get from not calling `memory_dff`.

**Note**

Help text automatically generated from `passes/memory/memory_nordff.cc:28`

### memory\_share - consolidate memory ports

```
yosys> help memory_share
```

```
memory_share [-nosat] [-nowiden] [selection]
```

This pass merges share-able memory ports into single memory ports.

The following methods are used to consolidate the number of memory ports:

- When multiple write ports access the same address then this is converted to a single write port with a more complex data and/or enable logic path.
- When multiple read or write ports access adjacent aligned addresses, they are merged to a single wide read or write port. This transformation can be disabled with the `"-nowiden"` option.
- When multiple write ports are never accessed at the same time (a SAT solver is used to determine this), then the ports are merged into a single write port. This transformation can be disabled with the `"-nosat"` option.

Note that in addition to the algorithms implemented in this pass, the `$memrd` and `$memwr` cells are also subject to generic resource sharing passes (and other optimizations) such as `"share"` and `"opt_merge"`.

**Note**

Help text automatically generated from `passes/memory/memory_share.cc:513`

**memory\_unpack - unpack multi-port memory cells**

```
yosys> help memory_unpack
```

```
memory_unpack [selection]
```

This pass converts the multi-port \$mem memory cells into individual \$memrd and \$memwr cells. It is the counterpart to the memory\_collect pass.

**Note**

Help text automatically generated from passes/memory/memory\_unpack.cc:27

**Optimization passes****clean - remove unused cells and wires**

```
yosys> help clean
```

```
clean [options] [selection]
```

This is identical to 'opt\_clean', but less verbose.

When commands are separated using the ';' token, this command will be executed between the commands.

When commands are separated using the ';;;' token, this command will be executed in -purge mode between the commands.

**Note**

Help text automatically generated from passes/opt/opt\_clean/opt\_clean.cc:108

**muxpack - \$mux/\$pmux cascades to \$pmux**

```
yosys> help muxpack
```

```
muxpack [selection]
```

This pass converts cascaded chains of \$pmux cells (e.g. those create from case constructs) and \$mux cells (e.g. those created by if-else constructs) into \$pmux cells.

This optimisation is conservative --- it will only pack \$mux or \$pmux cells whose select lines are driven by '\$eq' cells with other such cells if it can be certain that their select inputs are mutually exclusive.

**Note**

Help text automatically generated from passes/opt/muxpack.cc:336

**onehot - optimize \$eq cells for onehot signals**

yosys&gt; help onehot

onehot [options] [selection]

This pass optimizes \$eq cells that compare one-hot signals against constants

-v, -vv

verbose output

**Note**

Help text automatically generated from passes/opt/pmux2shiftx.cc:733

**opt - perform simple optimizations**

yosys&gt; help opt

opt [options] [selection]

This pass calls all the other opt\_\* passes in a useful order. This performs a series of trivial optimizations and cleanups. This pass executes the other passes in the following order:

```

    opt_expr [-mux_undef] [-mux_bool] [-undriven] [-noclkinv] [-fine] [-full] [-
↪keepdc]
    opt_merge [-share_all] -nomux

do
    opt_muxtree
    opt_reduce [-fine] [-full]
    opt_merge [-share_all]
    opt_share (-full only)
    opt_dff [-nodffe] [-nosdff] [-keepdc] [-sat] (except when called with -
↪noff)
    opt_hier (-hier only)
    opt_clean [-purge]
    opt_expr [-mux_undef] [-mux_bool] [-undriven] [-noclkinv] [-fine] [-full] [-
↪keepdc]
    while <changed design>

```

When called with -fast the following script is used instead:

```

do
    opt_expr [-mux_undef] [-mux_bool] [-undriven] [-noclkinv] [-fine] [-full] [-
↪keepdc]
    opt_merge [-share_all]
    opt_dff [-nodffe] [-nosdff] [-keepdc] [-sat] (except when called with -
↪noff)
    opt_hier (-hier only)
    opt_clean [-purge]

```

(continues on next page)

(continued from previous page)

```
while <changed design in opt_dff>
```

Note: Options in square brackets (such as [-keepdc]) are passed through to the opt\_\* commands when given to 'opt'.

**Note**

Help text automatically generated from passes/opt/opt.cc:29

**opt\_balance\_tree - \$and/\$or/\$xor/\$add/\$mul cascades to trees**

```
yosys> help opt_balance_tree
```

```
opt_balance_tree [options] [selection]
```

This pass converts cascaded chains of \$and/\$or/\$xor/\$add/\$mul cells into trees of cells to improve timing.

```
-arith          only convert arithmetic cells.
```

```
-logic         only convert logic cells.
```

**Note**

Help text automatically generated from passes/opt/opt\_balance\_tree.cc:325

**opt\_clean - remove unused cells and wires**

```
yosys> help opt_clean
```

```
opt_clean [options] [selection]
```

This pass identifies wires and cells that are unused and removes them. Other passes often remove cells but leave the wires in the design or reconnect the wires but leave the old cells in the design. This pass can be used to clean up after the passes that do the actual work.

This pass only operates on completely selected modules without processes.

```
-purge         also remove internal nets if they have a public name
```

**Note**

Help text automatically generated from passes/opt/opt\_clean/opt\_clean.cc:46

**opt\_demorgan - Optimize reductions with DeMorgan equivalents**

```
yosys> help opt_demorgan
```

```
opt_demorgan [selection]
```

This pass pushes inverters through \$reduce\_\* cells if this will reduce the overall gate count of the circuit

**Note**

Help text automatically generated from passes/opt/opt\_demorgan.cc:175

**opt\_dff - perform DFF optimizations**

```
yosys> help opt_dff
```

```
opt_dff [-nodffe] [-nosdff] [-keepdc] [-sat] [selection]
```

This pass converts flip-flops to a more suitable type by merging clock enables and synchronous reset multiplexers, removing unused control inputs, or potentially removes the flip-flop altogether, converting it to a constant driver.

|                           |                                                                                                                                                                                                                                                                                                       |
|---------------------------|-------------------------------------------------------------------------------------------------------------------------------------------------------------------------------------------------------------------------------------------------------------------------------------------------------|
| <code>-nodffe</code>      | disables dff -> dffe conversion, and other transforms<br>↳recognizing clock enable                                                                                                                                                                                                                    |
| <code>-nosdff</code>      | disables dff -> sdff conversion, and other transforms<br>↳recognizing sync resets                                                                                                                                                                                                                     |
| <code>-simple-dffe</code> | only enables clock enable recognition transform for<br>↳obvious cases                                                                                                                                                                                                                                 |
| <code>-sat</code>         | additionally invoke SAT solver to detect and remove<br>↳flip-flops (with non-constant inputs) that can also be replaced with a<br>↳constant driver                                                                                                                                                    |
| <code>-keepdc</code>      | some optimizations change the behavior of the circuit<br>↳with respect to don't-care bits. for example in 'a+0' a single x-bit in<br>↳'a' will cause all result bits to be set to x. this behavior changes<br>↳when 'a+0' is replaced by 'a'. the -keepdc option disables all such<br>↳optimizations. |

**Note**

Help text automatically generated from passes/opt/opt\_dff.cc:925

**opt\_expr - perform const folding and simple expression rewriting**

```
yosys> help opt_expr
```

```
opt_expr [options] [selection]
```

This pass performs const folding on internal cell types with constant inputs. It also performs some simple expression rewriting.

|                         |                                                                                                                                                                                                                                                                                       |
|-------------------------|---------------------------------------------------------------------------------------------------------------------------------------------------------------------------------------------------------------------------------------------------------------------------------------|
| <code>-mux_undef</code> | remove 'undef' inputs from \$mux, \$pmux and \$_MUX_ cells                                                                                                                                                                                                                            |
| <code>-mux_bool</code>  | replace \$mux cells with inverters or buffers when possible                                                                                                                                                                                                                           |
| <code>-undriven</code>  | replace undriven nets with undef (x) constants                                                                                                                                                                                                                                        |
| <code>-noclkinv</code>  | do not optimize clock inverters by changing FF types                                                                                                                                                                                                                                  |
| <code>-fine</code>      | perform fine-grain optimizations                                                                                                                                                                                                                                                      |
| <code>-full</code>      | alias for -mux_undef -mux_bool -undriven -fine                                                                                                                                                                                                                                        |
| <code>-keepdc</code>    | some optimizations change the behavior of the circuit with respect to don't-care bits. for example in 'a+0' a single x-bit in 'a' will cause all result bits to be set to x. this behavior changes when 'a+0' is replaced by 'a'. the -keepdc option disables all such optimizations. |

**Note**

Help text automatically generated from passes/opt/opt\_expr.cc:2211

**opt\_ffinv - push inverters through FFs**

```
yosys> help opt_ffinv
```

```
opt_ffinv [selection]
```

This pass pushes inverters to the other side of a FF when they can be merged into LUTs on the other side.

**Note**

Help text automatically generated from `passes/opt/opt_ffinv.cc:236`

**opt\_hier - perform cross-boundary optimization**

```
yosys> help opt_hier
```

```
opt_hier [selection]
```

This pass considers the design hierarchy and propagates unused signals, constant signals, and tied-together signals across module boundaries to facilitate optimization. Only the selected modules are affected.

Note this pass changes port semantics on modules which are not the top.

**Note**

Help text automatically generated from `passes/opt/opt_hier.cc:407`

**opt\_lut - optimize LUT cells**

```
yosys> help opt_lut
```

```
opt_lut [options] [selection]
```

This pass combines cascaded \$lut cells with unused inputs.

```
-tech ice40
```

treat the design as a LUT-mapped circuit for the iCE40, architecture and preserve connections to SB\_CARRY as appropriate

```
-limit N
```

only perform the first N combines, then stop. useful for debugging.

**Note**

Help text automatically generated from `passes/opt/opt_lut.cc:525`

**opt\_lut\_ins - discard unused LUT inputs**

```
yosys> help opt_lut_ins
```

```
opt_lut_ins [options] [selection]
```

This pass removes unused inputs from LUT cells (that is, inputs that can not influence the output signal given this LUT's value). While such LUTs cannot be directly emitted by ABC, they can be a result of various post-ABC

(continues on next page)

(continued from previous page)

transformations, such as mapping wide LUTs (not all sub-LUTs will use the full set of inputs) or optimizations such as `xilinx_dffopt`.

```
-tech <technology> Instead of generic $lut cells, operate on LUT cells
↳specific
to the given technology. Valid values are: xilinx,
↳lattice,
gowin, analogdevices.
```

**Note**

Help text automatically generated from `passes/opt/opt_lut_ins.cc:27`

**opt\_mem - optimize memories**

```
yosys> help opt_mem
```

```
opt_mem [options] [selection]
```

This pass performs various optimizations on memories in the design.

**Note**

Help text automatically generated from `passes/opt/opt_mem.cc:29`

**opt\_mem\_feedback - convert memory read-to-write port feedback paths to write enables**

```
yosys> help opt_mem_feedback
```

```
opt_mem_feedback [selection]
```

This pass detects cases where an asynchronous read port is only connected via a mux tree to a write port with the same address. When such a connection is found, it is replaced with a new condition on an enable signal, allowing for removal of the read port.

**Note**

Help text automatically generated from `passes/opt/opt_mem_feedback.cc:326`

**opt\_mem\_priority - remove priority relations between write ports that can never collide**

```
yosys> help opt_mem_priority
```

```
opt_mem_priority [selection]
```

This pass detects cases where one memory write port has priority over another even though they can never collide with each other -- ie. there can never be a situation where a given memory bit is written by both ports at the same time, for example because of always-different addresses, or mutually exclusive enable signals. In such cases, the priority relation is removed.

**Note**

Help text automatically generated from `passes/opt/opt_mem_priority.cc:29`

### **opt\_mem\_widen - optimize memories where all ports are wide**

yosys> help opt\_mem\_widen

`opt_mem_widen [options] [selection]`

This pass looks for memories where all ports are wide and adjusts the base memory width up until that stops being the case.

**Note**

Help text automatically generated from `passes/opt/opt_mem_widen.cc:27`

### **opt\_merge - consolidate identical cells**

yosys> help opt\_merge

`opt_merge [options] [selection]`

This pass identifies cells with identical type and input signals. Such cells are then merged to one cell.

`-nomux` Do not merge MUX cells.

`-share_all` Operate on all cell types, not just built-in types.

`-keepdc` Do not merge flipflops with don't-care bits in their `↳` initial value.

**Note**

Help text automatically generated from `passes/opt/opt_merge.cc:500`

**opt\_muxtree - eliminate dead trees in multiplexer trees**

```
yosys> help opt_muxtree
```

```
opt_muxtree [selection]
```

This pass analyzes the control signals for the multiplexer trees in the design and identifies inputs that can never be active. It then removes this dead branches from the multiplexer trees.

This pass only operates on completely selected modules without processes.

**Note**

Help text automatically generated from `passes/opt/opt_muxtree.cc:596`

**opt\_reduce - simplify large MUXes and AND/OR gates**

```
yosys> help opt_reduce
```

```
opt_reduce [options] [selection]
```

This pass performs two interlinked optimizations:

1. it consolidates trees of large AND gates or OR gates and eliminates duplicated inputs.
2. it identifies duplicated inputs to MUXes and replaces them with a single input with the original control signals OR'ed together.

```
-fine          perform fine-grain optimizations
```

```
-full          alias for -fine
```

**Note**

Help text automatically generated from `passes/opt/opt_reduce.cc:609`

**opt\_share - merge mutually exclusive cells of the same type that share an input signal**

```
yosys> help opt_share
```

```
opt_share [selection]
```

This pass identifies mutually exclusive cells of the same type that:

- (a) share an input signal,
- (b) drive the same \$mux, \$\_MUX\_, or \$pmux multiplexing cell,

allowing the cell to be merged and the multiplexer to be moved from multiplexing its output to multiplexing the non-shared input signals.

**Note**

Help text automatically generated from passes/opt/opt\_share.cc:339

### peepopt - collection of peephole optimizers

yosys> help peepopt

peepopt [options] [selection]

This pass applies a collection of peephole optimizers to the current design.

This pass employs the following rules by default:

- \* muldiv - Replace  $(A*B)/B$  with  $A$
- \* muldiv\_c - Replace  $(A*B)/C$  with  $A*(B/C)$  when  $C$  is a const divisible by  $B$ .
- \* shiftmul - Replace  $A \gg (B*C)$  with  $A' \gg (B \ll K)$  where  $C$  and  $K$  are constants and  $A'$  is derived from  $A$  by appropriately inserting padding into the signal. (right variant)

Analogously, replace  $A \ll (B*C)$  with appropriate selection of output bits from  $A \ll (B \ll K)$ . (left variant)

- \* shiftadd - Replace  $A \gg (B+D)$  with  $(A' \gg D) \gg B$  where  $D$  is constant and  $A'$  is derived from  $A$  by padding or cutting inaccessible bits. Scratchpad: 'peepopt.shiftadd.max\_data\_multiple' (default: 2) limits the amount of padding to a multiple of the data, to avoid high resource usage from large temporary MUX trees.

If `-formalclk` is specified it instead employs the following rules:

- \* clockgateff - Replace latch based clock gating patterns with a flip-flop based pattern to prevent combinational paths from the output to the enable input after running `clk2fflogic`.

**Note**

Help text automatically generated from `passes/opt/peepopt.cc:43`

**pmux2shiftx - transform \$pmux cells to \$shiftx cells**

```
yosys> help pmux2shiftx
```

```
pmux2shiftx [options] [selection]
```

This pass transforms \$pmux cells to \$shiftx cells.

|                                              |                                                                            |
|----------------------------------------------|----------------------------------------------------------------------------|
| <code>-v, -vv</code>                         | verbose output                                                             |
| <code>-min_density &lt;percentage&gt;</code> | sets the minimum density for the shifter<br>default: 50                    |
| <code>-min_choices &lt;int&gt;</code>        | specified the minimum number of choices for a control signal<br>default: 3 |
| <code>-onehot ignore pmux shiftx</code>      | selection strategy for one-hot encoded control signals<br>default: pmux    |
| <code>-norange</code>                        | disable \$sub inference for "range decoders"                               |

**Note**

Help text automatically generated from `passes/opt/pmux2shiftx.cc:192`

**recover\_names - Execute a lossy mapping command and recover original netnames**

```
yosys> help recover_names
```

```
recover_names [command]
```

This pass executes a lossy mapping command and uses a combination of simulation to find candidate equivalences and SAT to recover exact original net names.

**Note**

Help text automatically generated from `passes/sat/recover_names.cc:693`

**share - perform sat-based resource sharing**

```
yosys> help share
```

share [options] [selection]

This pass merges shareable resources into a single resource. A SAT solver is used to determine if two resources are share-able.

- aggressive** Per default some heuristics are used to reduce the  
 ↪ number of cells  
 considered for resource sharing to only large resources.  
 ↪ This options  
 turns this heuristics off, resulting in much more cells  
 ↪ being considered  
 for resource sharing.
- fast** Only consider the simple part of the control logic in  
 ↪ SAT solving, resulting  
 in much easier SAT problems at the cost of maybe  
 ↪ missing some opportunities  
 for resource sharing.
- limit N** Only perform the first N merges, then stop. This is  
 ↪ useful for debugging.
- pattern-limit N** Only analyze up to N activation patterns per cell,  
 ↪ otherwise assume active.  
 N is 1000 by default. Higher values may merge more  
 ↪ resources at the cost of  
 more runtime and memory consumption.

**Note**

Help text automatically generated from passes/opt/share.cc:1496

**wreduce - reduce the word size of operations if possible**

yosys> help wreduce

wreduce [options] [selection]

This command reduces the word size of operations. For example it will replace the 32 bit adders in the following code with adders of more appropriate widths:

```
module test(input [3:0] a, b, c, output [7:0] y);
    assign y = a + b + c + 1;
endmodule
```

Options:

- memx** Do not change the width of memory address ports. Use  
 ↪ this options in  
 flows that use the 'memory\_memx' pass.

`-mux_undef` remove 'undef' inputs from \$mux, \$pmux and \$\_MUX\_ cells

`-keepdc` Do not optimize explicit don't-care values.

#### Note

Help text automatically generated from `passes/opt/wreduce.cc:522`

## Technology mapping

### See also

*Technology libraries*

### abc - use ABC for technology mapping

yosys> help abc

abc [options] [selection]

This pass uses the ABC tool [1] for technology mapping of yosys's internal gate library to a target architecture.

`-exe <command>` use the specified command instead of "`<yosys-bindir>/yosys-abc`" to execute ABC. This can e.g. be used to call a specific version of ABC or a wrapper.

`-script <file>` use the specified ABC script file instead of the default script.

if `<file>` starts with a plus sign (+), then the rest of the filename string is interpreted as the command string to be passed to ABC. The leading plus sign is removed and all commas (,) in the string are replaced with blanks before the string is passed to ABC.

if no `-script` parameter is given, the following scripts are used:

for `-liberty/-genlib` without `-constr`:

```
strash; &get -n; &fraig -x; &put; scorr; dc2; dretime;
strash;
&get -n; &dch -f; &nf {D}; &put
```

for `-liberty/-genlib` with `-constr`:

(continues on next page)

(continued from previous page)

```

strash; &get -n; &fraig -x; &put; scorr; dc2; dretime;␣
↪strash;
&get -n; &dch -f; &nf {D}; &put; buffer; upsize {D};
dnsize {D}; stime -p

for -lut/-luts (only one LUT size):
strash; &get -n; &fraig -x; &put; scorr; dc2; dretime;␣
↪strash;
dch -f; if; mfs2; lutpack -S 1

for -lut/-luts (different LUT sizes):
strash; &get -n; &fraig -x; &put; scorr; dc2; dretime;␣
↪strash;
dch -f; if; mfs2

for -sop:
strash; &get -n; &fraig -x; &put; scorr; dc2; dretime;␣
↪strash;
dch -f; cover {I} {P}

otherwise:
strash; &get -n; &fraig -x; &put; scorr; dc2; dretime;␣
↪strash;
&get -n; &dch -f; &nf {D}; &put

```

**-fast**

```

use different default scripts that are slightly faster␣
↪(at the cost
of output quality):

for -liberty/-genlib without -constr:
strash; dretime; map {D}

for -liberty/-genlib with -constr:
strash; dretime; map {D}; buffer; upsize {D}; dnsize {D}
↪;
stime -p

for -lut/-luts:
strash; dretime; if

for -sop:
strash; dretime; cover {I} {P}

otherwise:
strash; dretime; map

```

**-liberty <file>**

```

generate netlists for the specified cell library (using␣
↪the liberty
file format).

```

**-dont\_use <cell\_name>**

```

avoid usage of the technology cell <cell_name> when␣

```

(continues on next page)



(continued from previous page)

|                                                                     |                                                                                                                                                                                                                                                                                                                                                                                                                                                                                                                                                                                                                                                                                                                                                                                                                                                                     |
|---------------------------------------------------------------------|---------------------------------------------------------------------------------------------------------------------------------------------------------------------------------------------------------------------------------------------------------------------------------------------------------------------------------------------------------------------------------------------------------------------------------------------------------------------------------------------------------------------------------------------------------------------------------------------------------------------------------------------------------------------------------------------------------------------------------------------------------------------------------------------------------------------------------------------------------------------|
|                                                                     | 2, 3, .. inputs.                                                                                                                                                                                                                                                                                                                                                                                                                                                                                                                                                                                                                                                                                                                                                                                                                                                    |
| -sop                                                                | map to sum-of-product cells and inverters                                                                                                                                                                                                                                                                                                                                                                                                                                                                                                                                                                                                                                                                                                                                                                                                                           |
| -g type1,type2,..                                                   | <p>Map to the specified list of gate types. Supported gates types are:<br/> AND, NAND, OR, NOR, XOR, XNOR, ANDNOT, ORNOT, MUX, NMUX, AOI3, OAI3, AOI4, OAI4.<br/> (The NOT gate is always added to this list automatically.)</p> <p>The following aliases can be used to reference common sets of gate types:<br/> simple: AND OR XOR MUX<br/> cmos2: NAND NOR<br/> cmos3: NAND NOR AOI3 OAI3<br/> cmos4: NAND NOR AOI3 OAI3 AOI4 OAI4<br/> cmos: NAND NOR AOI3 OAI3 AOI4 OAI4 NMUX MUX XOR XNOR<br/> gates: AND NAND OR NOR XOR XNOR ANDNOT ORNOT<br/> aig: AND NAND OR NOR ANDNOT ORNOT</p> <p>The alias 'all' represent the full set of all gate types.</p> <p>Prefix a gate type with a '-' to remove it from the list. For example the arguments 'AND,OR,XOR' and 'simple,-MUX' are equivalent.</p> <p>The default is 'all,-NMUX,-AOI3,-OAI3,-AOI4,-OAI4'.</p> |
| -dff                                                                | also pass \$_DFF_?_ and \$_DFFE_??_ cells through ABC modules with many clock domains are automatically partitioned in clock domains and each domain is passed through ABC independently.                                                                                                                                                                                                                                                                                                                                                                                                                                                                                                                                                                                                                                                                           |
| -clk [!]<clock-signal>[!<clock-signal>] [specifiable-signal-domain] | this is like -dff, but only FF cells that belong to the specified clock domain are used.                                                                                                                                                                                                                                                                                                                                                                                                                                                                                                                                                                                                                                                                                                                                                                            |
| -keepff                                                             | set the "keep" attribute on flip-flop output wires (and thus preserve them, for example for equivalence checking.)                                                                                                                                                                                                                                                                                                                                                                                                                                                                                                                                                                                                                                                                                                                                                  |
| -nocleanup                                                          | when this option is used, the temporary files created by this pass are not removed. this is useful for debugging.                                                                                                                                                                                                                                                                                                                                                                                                                                                                                                                                                                                                                                                                                                                                                   |

|                                           |                                                                                                                                                                                                                           |
|-------------------------------------------|---------------------------------------------------------------------------------------------------------------------------------------------------------------------------------------------------------------------------|
| <code>-showtmp</code>                     | print the temp dir name in log. usually this is<br>↳suppressed so that the<br>command output is identical across runs.                                                                                                    |
| <code>-markgroups</code>                  | set a 'abcgroup' attribute on all objects created by<br>↳ABC. The value of<br>this attribute is a unique integer for each ABC process<br>↳started. This<br>is useful for debugging the partitioning of clock<br>↳domains. |
| <code>-dress</code>                       | run the 'dress' command after all other ABC commands.<br>↳This aims to<br>preserve naming by an equivalence check between the<br>↳original and<br>post-ABC netlists (experimental).                                       |
| <code>-liberty_args &lt;string&gt;</code> | when <code>-liberty</code> is used, also pass the specified<br>↳arguments to ABC<br>command "read_lib". Example: <code>-liberty_args "-G 250"</code>                                                                      |

When no target cell library is specified the Yosys standard cell library is loaded into ABC before the ABC script is executed.

Note that this is a logic optimization pass within Yosys that is calling ABC internally. This is not going to "run ABC on your design". It will instead run ABC on logic snippets extracted from your design. You will not get any useful output when passing an ABC script that writes a file. Instead write your full design as BLIF file with `write_blif` and then load that into ABC externally if you want to use ABC to convert your design into another format.

[1] <http://www.eecs.berkeley.edu/~alanmi/abc/>

#### Note

Help text automatically generated from `passes/techmap/abc.cc:1868`

### abc9 - use ABC9 for technology mapping

yosys> help abc9

abc9 [options] [selection]

This script pass performs a sequence of commands to facilitate the use of the ABC tool [1] for technology mapping of the current design to a target FPGA architecture. Only fully-selected modules are supported.

`-run <from_label> <to_label>` the commands between the labels (see below).  
↳an empty

(continues on next page)

(continued from previous page)

- from label is synonymous to 'begin', and empty to label.  
↳ is  
synonymous to the end of the command list.
- exe <command>** use the specified command instead of "<yosys-bindir>/  
↳ yosys-abc" to execute ABC.  
This can e.g. be used to call a specific version of ABC  
↳ or a wrapper.
- script <file>** use the specified ABC script file instead of the  
↳ default script.
- if <file> starts with a plus sign (+), then the rest of  
↳ the filename  
string is interpreted as the command string to be  
↳ passed to ABC. The  
leading plus sign is removed and all commas (,) in the  
↳ string are  
replaced with blanks before the string is passed to ABC.
- if no -script parameter is given, the following scripts  
↳ are used:  
&scorr; &sweep; &dc2; &dch -f -r; &ps; &if {W} {D} {R} -  
↳ v; &mfs
- D <picoseconds>** set delay target. the string {D} in the default scripts  
↳ above is  
replaced by this option when used, and an empty string  
↳ otherwise  
(indicating best possible delay).
- lut <width>** generate netlist using luts of (max) the specified  
↳ width.
- lut <w1>:<w2>** generate netlist using luts of (max) the specified  
↳ width <w2>. All  
luts with width <= <w1> have constant cost. for luts  
↳ larger than <w1>  
the area cost doubles with each additional input bit.  
↳ the delay cost  
is still constant for all lut widths.
- lut <file>** pass this file with lut library to ABC.
- luts <cost1>,<cost2>,<cost3>,<cost4>,<costN>** Use the specified costs  
↳ for luts with 1,  
2, 3, .. inputs.
- maxlut <width>** when auto-generating the lut library, discard all luts  
↳ equal to or

(continues on next page)

(continued from previous page)

|                                |                                                                                                                                                       |
|--------------------------------|-------------------------------------------------------------------------------------------------------------------------------------------------------|
|                                | greater than this size (applicable when neither <code>-lut</code><br>↪nor <code>-luts</code> is specified).                                           |
| <code>-dff</code>              | also pass <code>\$_DFF_[NP]_ cells</code> through to ABC. modules<br>↪with many clock domains are supported and automatically partitioned by<br>↪ABC. |
| <code>-nocleanup</code>        | when this option is used, the temporary files created<br>↪by this pass are not removed. this is useful for debugging.                                 |
| <code>-showtmp</code>          | print the temp dir name in log. usually this is<br>↪suppressed so that the command output is identical across runs.                                   |
| <code>-box &lt;file&gt;</code> | pass this file with box library to ABC.                                                                                                               |

Note that this is a logic optimization pass within Yosys that is calling ABC internally. This is not going to "run ABC on your design". It will instead run ABC on logic snippets extracted from your design. You will not get any useful output when passing an ABC script that writes a file. Instead write your full design as an XAIGER file with ``write_xaiger'` and then load that into ABC externally if you want to use ABC to convert your design into another format.

[1] <http://www.eecs.berkeley.edu/~alanmi/abc/>

```

check:
  abc9_ops -check [-dff]      (option if -dff)

map:
  abc9_ops -prep_hier [-dff]   (option if -dff)
  scc -specify -set_attr abc9_scc_id {}
  abc9_ops -prep_bypass [-prep_dff]   (option if -dff)
  design -stash $abc9
  design -load $abc9_map
  select =*
  wbflip
  techmap -autoproc -wb -map %$abc9 -map +/techmap.v A:abc9_flop
  opt -nodffe -nosdff
  abc9_ops -prep_dff_submod
↪ (only if -dff)
  setattr -set submod "$abc9_flop" t:$_DFF?_ %ci* %co* t:$_DFF?_ %d
↪ (only if -dff)
  submod
↪ (only if -dff)
  setattr -mod -set whitebox 1 -set abc9_flop 1 -set abc9_box 1 *$_abc9_flop
↪ (only if -dff)
  foreach module in design

```

(continues on next page)

(continued from previous page)

```

        rename <module-name>_$_abc9_flop _TECHMAP_REPLACE_
→ (only if -dff)
        abc9_ops -prep_dff_unmap
→ (only if -dff)
        design -copy-to $abc9 ==$_abc9_flop
→ (only if -dff)
        delete ==$_abc9_flop
→ (only if -dff)
        design -stash $abc9_map
        design -load $abc9
        design -delete $abc9
        techmap -wb -max_iter 1 -map %$abc9_map -map +/abc9_map.v [-D DFF]
→ (option if -dff)
        design -delete $abc9_map

pre:
read_verilog -icells -lib -specify +/abc9_model.v
abc9_ops -break_scc -prep_delays -prep_xaiger [-dff] (option for -dff)
abc9_ops -prep_lut <maxlut> (skip if -lut or -luts)
abc9_ops -prep_box (skip if -box)
design -stash $abc9
design -load $abc9_holes
select ==
techmap -wb -map %$abc9 -map +/techmap.v
opt -purge
aigmap
design -stash $abc9_holes
design -load $abc9
design -delete $abc9

exe:
aigmap
foreach module in selection
        abc9_ops -write_lut <abc-temp-dir>/input.lut (skip if '-lut' or '-
→luts')
        abc9_ops -write_box <abc-temp-dir>/input.box (skip if '-box')
        write_xaiger -map <abc-temp-dir>/input.sym [-dff] <abc-temp-dir>/input.
→xaig
        abc9_exe [options] -cwd <abc-temp-dir> -lut [<abc-temp-dir>/input.lut] -
→box [<abc-temp-dir>/input.box]
        read_aiger -xaiger -wideports -module_name <module-name>$abc9 -map <abc-
→temp-dir>/input.sym <abc-temp-dir>/output.aig
        abc9_ops -reintegrate [-dff]

unmap:
techmap -wb -map %$abc9_unmap -map +/abc9_unmap.v
design -delete $abc9_unmap
design -delete $abc9_holes
delete ==$_abc9_byp
setattr -mod -unset abc9_box_id

```

**Note**

Help text automatically generated from passes/techmap/abc9.cc:38

**abc9\_exe - use ABC9 for technology mapping**

```
yosys> help abc9_exe
```

```
abc9_exe [options]
```

This pass uses the ABC tool [1] for technology mapping of the top module (according to the (\* top \*) attribute or if only one module is currently selected) to a target FPGA architecture.

**-exe <command>** use the specified command instead of "`<yosys-bindir>/yosys-abc`" to execute ABC. This can e.g. be used to call a specific version of ABC or a wrapper.

**-script <file>** use the specified ABC script file instead of the default script.

if `<file>` starts with a plus sign (+), then the rest of the filename string is interpreted as the command string to be passed to ABC. The leading plus sign is removed and all commas (,) in the string are replaced with blanks before the string is passed to ABC.

if no `-script` parameter is given, the following scripts are used:

```
&scorr; &sweep; &dc2; &dch -f -r; &ps; &if {W} {D} {R} -v; &mfs
```

**-constr <file>** pass this file with timing constraints to ABC. use with `-liberty`.

a `constr` file contains two lines:

```
set_driving_cell <cell_name>
set_load <floating_point_number>
```

the `set_driving_cell` statement defines which cell type is assumed to drive the primary inputs and the `set_load` statement sets the load in femtofarads for each primary output.

**-liberty <file>** read the given Liberty file as a description of the target cell library. this option can be used multiple times.



(continued from previous page)

design as BLIF file with `write_blif` and then load that into ABC externally if you want to use ABC to convert your design into another format.

[1] <http://www.eecs.berkeley.edu/~alanmi/abc/>

### Note

Help text automatically generated from `passes/techmap/abc9_exe.cc:345`

## abc9\_ops - helper functions for ABC9

```
yosys> help abc9_ops
```

```
abc9_ops [options] [selection]
```

This pass contains a set of supporting operations for use during ABC technology mapping, and is expected to be called in conjunction with other operations from the ``abc9'` script pass. Only fully-selected modules are supported.

|                           |                                                                                                                                                                                                                                                                                                                                                                                                                                                                                                                                                                             |
|---------------------------|-----------------------------------------------------------------------------------------------------------------------------------------------------------------------------------------------------------------------------------------------------------------------------------------------------------------------------------------------------------------------------------------------------------------------------------------------------------------------------------------------------------------------------------------------------------------------------|
| <code>-check</code>       | check that the design is valid, e.g. <code>(* abc9_box_id *)</code><br>↳ values are unique, <code>(* abc9_carry *)</code> is only given for one input/output port, etc.                                                                                                                                                                                                                                                                                                                                                                                                     |
| <code>-prep_hier</code>   | derive all used <code>(* abc9_box *)</code> or <code>(* abc9_flop *)</code> (if <code>-dff</code> option) whitebox modules. with <code>(* abc9_flop *)</code> modules, only those containing <code>\$dff/\$_DFF_[NP]_</code> cells with zero initial state -- due to an ABC limitation -- will be derived.                                                                                                                                                                                                                                                                  |
| <code>-prep_bypass</code> | create techmap rules in the <code>'\$abc9_map'</code> and <code>'\$abc9_unmap'</code> designs for bypassing sequential <code>(* abc9_box *)</code> modules using a combinatorial box (named <code>*_abc9_byp</code> ). bypassing is necessary if sequential elements (e.g. <code>\$dff</code> , <code>\$mem</code> , etc.) are discovered inside so that any combinatorial paths will be correctly captured. this bypass box will only contain ports that are referenced by a simple path declaration ( <code>\$specify2_</code> cell) inside a <code>specify</code> block. |
| <code>-prep_dff</code>    | select all <code>(* abc9_flop *)</code> modules instantiated in the design and store in the named selection <code>'\$abc9_flops'</code> .                                                                                                                                                                                                                                                                                                                                                                                                                                   |

|                    |                                                                                                                                                                                                                                                                                                                       |
|--------------------|-----------------------------------------------------------------------------------------------------------------------------------------------------------------------------------------------------------------------------------------------------------------------------------------------------------------------|
| -prep_dff_submod   | <p>within (* abc9_flop *) modules, rewrite all edge-sensitive path declarations and \$setup() timing checks (\$specify3 and \$specrule cells) that share a 'DST' port with the \$_DFF_[NP]_.Q port from this 'Q' port to the DFF's 'D' port. this is to prepare such specify cells to be moved into the flop box.</p> |
| -prep_dff_unmap    | <p>populate the '\$abc9_unmap' design with techmap rules for mapping *_abc9_flop cells back into their derived cell types (where the rules created by -prep_hier will then map back to the original cell with parameters).</p>                                                                                        |
| -prep_delays       | <p>insert `\$_ABC9_DELAY' blackbox cells into the design to account for certain required times.</p>                                                                                                                                                                                                                   |
| -break_scc         | <p>for an arbitrarily chosen cell in each unique SCC of each selected module (tagged with an (* abc9_scc_id = &lt;int&gt; *) attribute) interrupt all wires driven by this cell's outputs with a temporary \$_ABC9_SCC_BREAKER cell to break the SCC.</p>                                                             |
| -prep_xaiger       | <p>prepare the design for XAIGER output. this includes computing the topological ordering of ABC9 boxes, as well as preparing the '\$abc9_holes' design that contains the logic behaviour of ABC9 whiteboxes.</p>                                                                                                     |
| -dff               | <p>consider flop cells (those instantiating modules marked with (* abc9_flop *)) during -prep_{delays,xaiger,box}.</p>                                                                                                                                                                                                |
| -prep_lut <maxlut> | <p>pre-compute the lut library by analysing all modules marked with (* abc9_lut=&lt;area&gt; *).</p>                                                                                                                                                                                                                  |
| -write_lut <dst>   | <p>write the pre-computed lut library to &lt;dst&gt;.</p>                                                                                                                                                                                                                                                             |
| -prep_box          | <p>pre-compute the box library by analysing all modules marked with (* abc9_box *).</p>                                                                                                                                                                                                                               |

`-write_box <dst>` write the pre-computed box library to <dst>.

`-reintegrate` for each selected module, re-intergrate the module '  
`↪<module-name>$abc9'`  
 by first recovering ABC9 boxes, and then stitching in  
`↪the remaining`  
 primary inputs and outputs.

#### Note

Help text automatically generated from `passes/techmap/abc9_ops.cc:1692`

### abc\_new - (experimental) use ABC for SC technology mapping (new)

yosys> help abc\_new

#### Warning

This command is experimental

`abc_new [options] [selection]`

This command uses the ABC tool [1] to optimize the current design and map it to the target standard cell library.

`-run <from_label> <to_label>` the commands between the labels (see below).  
`↪an empty`  
`from label` is synonymous to 'begin', and `empty to label`  
`↪is`  
 synonymous to the end of the command list.

`-exe <command>`

`-script <file>`

`-D <picoseconds>`

`-constr <file>`

`-dont_use <cell_name>`

`-liberty <file>`

`-genlib <file>` these options are passed on to the 'abc9\_exe' command,  
`↪which invokes`  
 the ABC tool on individual modules of the design.  
`↪please see`  
 'help abc9\_exe' for more details

```
[1] http://www.eecs.berkeley.edu/~alanmi/abc/

check:
  abc9_ops -check

prep_boxes:
  box_derive
  abc9_ops -prep_box

map:
  abc9_ops -replace_zbufs
  foreach module in selection
    abc9_ops -write_box <abc-temp-dir>/input.box
    write_xaiger2 -mapping_prep -map2 <abc-temp-dir>/input.map2 <abc-temp-dir>
↪/input.xaig
    abc9_exe [options] -cwd <abc-temp-dir> -box <abc-temp-dir>/input.box
    read_xaiger2 -sc_mapping -module_name <module> -map2 <abc-temp-dir>/input.
↪map2 <abc-temp-dir>/output.aig
    abc9_ops -restore_zbufs
```

**Note**

Help text automatically generated from passes/techmap/abc\_new.cc:48

**aigmap - map logic to and-inverter-graph circuit**

```
yosys> help aigmap
```

```
aigmap [options] [selection]
```

Replace all logic cells with circuits made of only `$_AND_` and `$_NOT_` cells.

```
-nand
```

Enable creation of `$_NAND_` cells

```
-select
```

Overwrite replaced cells in the current selection with ↪  
↪new `$_AND_`,  
`$_NOT_`, and `$_NAND_`, cells

**Note**

Help text automatically generated from passes/techmap/aigmap.cc:27

**alumacc - extract ALU and MACC cells**

```
yosys> help alumacc
```

```
alumacc [selection]
```

This pass translates arithmetic operations like \$add, \$mul, \$lt, etc. to \$alu and \$macc cells.

#### Note

Help text automatically generated from passes/techmap/alumacc.cc:580

### arith\_tree - convert add/sub/macc chains to carry-save adder trees

yosys> help arith\_tree

arith\_tree [selection]

This pass replaces chains of \$add/\$sub cells, \$alu cells (with constant BI/CI), and \$macc/\$macc\_v2 cells (without multiplications) with carry-save adder trees using \$fa cells and a single final \$add.

The tree uses Wallace-tree scheduling: at each level, ready operands are grouped into triplets and compressed via full adders, giving  $O(\log_{1.5} N)$  depth for  $N$  input operands.

#### Note

Help text automatically generated from passes/techmap/arith\_tree.cc:393

### attrmap - renaming attributes

yosys> help attrmap

attrmap [options] [selection]

This command renames attributes and/or maps key/value pairs to other key/value pairs.

-tocase <name> Match attribute names case-insensitively and set it to   
 ↳ the specified name.

-rename <old\_name>=<new\_name> Rename attributes as specified

-map <old\_name>=<old\_value>=<new\_name>=<new\_value> Map key/value pairs

-imap <old\_name>=<old\_value>=<new\_name>=<new\_value> Like -map but use same   
 ↳ value when it is a string value.

-remove <name>=<value> Remove attributes matching this pattern.

`-modattr`

Operate on module attributes instead of attributes on  
 ↪wires and cells.

For example, mapping Xilinx-style "keep" attributes to Yosys-style:

```
attrmap -tocase keep -imap keep="true" keep=1 \
```

```
-imap keep="false" keep=0 -remove keep=0
```

#### Note

Help text automatically generated from `passes/techmap/attrmap.cc:223`

### **attrmvcp - move or copy attributes from wires to driving cells**

```
yosys> help attrmvcp
```

```
attrmvcp [options] [selection]
```

Move or copy attributes on wires to the cells driving them.

`-copy`

By default, attributes are moved. This will only add the attribute to the cell, without removing it from the wire.

`-purge`

If no selected cell consumes the attribute, then it is left on the wire by default. This option will cause the attribute to be removed from the wire, even if no  
 ↪selected cell takes it.

`-driven`

By default, attributes are moved to the cell driving  
 ↪the wire. With this option set it will be moved to the cell driven by the wire instead.

`-attr <attrname>`

Move or copy this attribute. This option can be used multiple times.

**Note**

Help text automatically generated from `passes/techmap/atrmvcp.cc:27`

**bmuxmap - transform \$bmux cells to trees of \$mux cells**

```
yosys> help bmuxmap
```

```
bmuxmap [selection]
```

This pass transforms \$bmux cells to trees of \$mux cells.

```
-pmux
```

transform to \$pmux instead of \$mux cells.

**Note**

Help text automatically generated from `passes/techmap/bmuxmap.cc:27`

**booth - map \$mul cells to Booth multipliers**

```
yosys> help booth
```

```
booth [selection]
```

This pass replaces multiplier cells with a radix-4 Booth-encoded implementation. It operates on \$mul cells whose width of operands is at least 4x4 and whose width of result is at least 8.

```
-lowpower
```

use an alternative low-power architecture for the generated multiplier (signed multipliers only)

**Note**

Help text automatically generated from `passes/techmap/booth.cc:1130`

**bufnorm - (experimental) convert design into buffered-normalized form**

```
yosys> help bufnorm
```

**Warning**

This command is experimental

bufnorm [options] [selection]

Insert buffer cells into the design as needed, to make sure that each wire has exactly one driving cell port, and aliasing wires are buffered using buffer cells, than can be chained in a canonical order.

Running 'bufnorm' on the whole design enters 'buffered-normalized mode'.

|            |                                                                                                                                                                                 |
|------------|---------------------------------------------------------------------------------------------------------------------------------------------------------------------------------|
| -buf       | Create \$buf cells for all buffers. The default is to use \$BUF_ cells for single-bit buffers and \$buf cells only for multi-bit buffers.                                       |
| -chain     | Chain all alias wires. By default only wires with positive-valued 'chain' or 'keep' attribute on them are chained.                                                              |
| -output    | Enable chaining of output ports wires.                                                                                                                                          |
| -public    | Enable chaining of wires with public names.                                                                                                                                     |
| -nochain   | Disable chaining of wires with 'chain' attribute.                                                                                                                               |
| -nokeep    | Disable chaining of wires with 'keep' attribute.                                                                                                                                |
| -flat      | Alias for -nokeep and -nochain.                                                                                                                                                 |
| -nosticky  | Disable 'sticky' behavior of output ports already driving whole wires, and always enforce canonical sort order instead.                                                         |
| -alphasort | Strictly use alphanumeric sort for chain-order. (Default is to chain 'keep' wires first, then ports in declaration order, and then the other wires in alphanumeric sort order.) |

Run 'bufnorm' with -pos, -bits, or -conn on the whole design to remove all \$buf buffer cells and exit 'buffered-normalized mode' again.

|       |                                                                      |
|-------|----------------------------------------------------------------------|
| -pos  | Create (multi- and single-bit) \$pos cells instead \$buf and \$BUF_. |
| -bits | Create arrays of \$BUF_ cells instead of multi-bit \$buf cells.      |
| -conn | Create 'direct connections' instead of buffer cells.                 |

`-nomode`

Do not automatically enter or leave 'buffered-normalized mode'.

The 'bufnorm' command can also be used to just switch in and out of 'buffered-normalized mode' and run the low-level re-normalizer.

`-update`

Enter 'buffered-normalized mode' and (re-)normalize.

`-reset`

Leave 'buffered-normalized mode' without changing the netlist.

**Note**

Help text automatically generated from `passes/techmap/bufnorm.cc:27`

**bwmuxmap - replace \$bwmux cells with equivalent logic**

```
yosys> help bwmuxmap
```

```
bwmuxmap [options] [selection]
```

This pass replaces \$bwmux cells with equivalent logic

**Note**

Help text automatically generated from `passes/techmap/bwmuxmap.cc:26`

**cellmatch - match cells to their targets in cell library**

```
yosys> help cellmatch
```

```
cellmatch -lib <design> [module selection]
```

This pass identifies functionally equivalent counterparts between each of the selected modules and a module from the secondary design <design>. For every such correspondence found, a techmap rule is generated for mapping instances of the former to instances of the latter. This techmap rule is saved in yet another design called '\$cellmatch', which is created if non-existent.

This pass restricts itself to combinational modules. Modules are functionally equivalent as long as their truth tables are identical upto a permutation of inputs and outputs. The supported number of inputs is limited to 6.

```
cellmatch -derive_luts [module selection]
```

For every port in each selected module, characterize its combinational function with a 'lut' attribute if possible.

**Note**

Help text automatically generated from passes/techmap/cellmatch.cc:141

**clkbufmap - insert clock buffers on clock networks**

```
yosys> help clkbufmap
```

```
clkbufmap [options] [selection]
```

Inserts clock buffers between nets connected to clock inputs and their drivers.

In the absence of any selection, all wires without the 'clkbuf\_inhibit' attribute will be considered for clock buffer insertion.

Alternatively, to consider all wires without the 'buffer\_type' attribute set to 'none' or 'bufnr' one would specify:

```
'w:* a:buffer_type=none a:buffer_type=bufnr %u %d'
as the selection.
```

```
-buf <celltype> <portname>: <celltype_in> use for the clock buffers
and its port names. The first port will be connected to
the clock network sinks, and the second will be
connected
to the actual clock source.
```

```
-inpad <celltype> If specified, a PAD cell of the given type is inserted
on
clock nets that are also top module's inputs (in
addition
to the clock buffer, if any).
```

At least one of -buf or -inpad should be specified.

**Note**

Help text automatically generated from passes/techmap/clkbufmap.cc:37

**clockgate - extract clock gating out of flip flops**

```
yosys> help clockgate
```

```
clockgate [options] [selection]
```

This pass transforms each set of FFs sharing the same clock and enable signal into a clock-gating cell and a set of enable-less FFs. Primarily a power-saving transformation on ASIC designs.

`-pos <celltype> <celltype> <clk> <gclk>` Rising-edge FFs will have CE inputs removed and a gated clock will be created by the user-specified `<celltype>` ICG (integrated clock gating) cell with ports named `<ce>`, `<clk>`, `<gclk>`. The ICG's clock enable pin must be active high.

`-neg <celltype> <celltype> <clk> <gclk>` Falling-edge FFs will have CE inputs removed and a gated clock will be created by the user-specified `<celltype>` ICG (integrated clock gating) cell with ports named `<ce>`, `<clk>`, `<gclk>`. The ICG's clock enable pin must be active high.

`-liberty <filename>` If specified, ICGs will be selected from the liberty files if available. Priority is given to cells with fewer tie\_lo inputs and smaller size. This removes the need to manually specify `-pos` or `-neg` and `-tie_lo`.

`-dont_use <celltype>` Cells `<celltype>` won't be considered when searching for ICGs in the liberty file specified by `-liberty`.

`-tie_lo <port_name>` Port `<port_name>` of the ICG will be tied to zero. Intended for DFT scan-enable pins.

`-min_net_size <n>` Only transform sets of at least `<n>` eligible FFs.

#### Note

Help text automatically generated from `passes/techmap/clockgate.cc:190`

### constmap - technology mapping of coarse constant value

yosys> help constmap

`constmap [options] [selection]`

Map constants to a driver cell.

`-cell <celltype> <portname> <spanname>` Replace `<spanname>` with this cell. The value of the constant will be stored to the parameter specified.

#### Note

Help text automatically generated from `passes/techmap/constmap.cc:44`

**deminout - demote inout ports to input or output**

```
yosys> help deminout
```

```
deminout [options] [selection]
```

"Demote" inout ports to input or output ports, if possible.

**Note**

Help text automatically generated from `passes/techmap/deminout.cc:27`

**demuxmap - transform \$demux cells to \$eq + \$mux cells**

```
yosys> help demuxmap
```

```
demuxmap [selection]
```

This pass transforms \$demux cells to a bunch of equality comparisons.

**Note**

Help text automatically generated from `passes/techmap/demuxmap.cc:27`

**dffinit - set INIT param on FF cells**

```
yosys> help dffinit
```

```
dffinit [options] [selection]
```

This pass sets an FF cell parameter to the the initial value of the net it drives. (This is primarily used in FPGA flows.)

```
-ff <cell_name> <output port> <initial value> cell type. this option can be
↳ used
↳ multiple times.
```

```
-highlow use the string values "high" and "low" to represent a
↳ single-bit
↳ initial value of 1 or 0. (multi-bit values are not
↳ supported in this
↳ mode.)
```

```
-strinit <string> use high/low values for the
↳ single-bit
↳ initial value of 1 or 0. (multi-bit values are not
↳ supported in this
↳ mode.)
```

`-noreinit`

fail if the FF cell has already a defined initial value,  
 ↳ set in other  
 passes and the initial value of the net it drives is,  
 ↳ not equal to  
 the already defined initial value.

**Note**

Help text automatically generated from `passes/techmap/dffinit.cc:28`

**dfflegalize - convert FFs to types supported by the target**

```
yosys> help dfflegalize
```

```
dfflegalize [options] [selection]
```

Converts FFs to types supported by the target.

```
-cell <cell_type_pattern> <init_values>
```

specifies a group of FF cells. `<cell_type_`  
 ↳ `pattern>`  
 is a yosys internal fine cell name, where ? characters,  
 ↳ can be  
 as a wildcard matching any character. `<init_values>`,  
 ↳ specifies  
 which initialization values these FF cells can support,  
 ↳ and can  
 be one of:

- x (no init value supported)
- 0
- 1
- r (init value has to match reset value, only for some  
 ↳ FF types)
- 01 (both 0 and 1 supported).

```
-mince <num>
```

specifies a minimum number of FFs that should be using,  
 ↳ any given  
 clock enable signal. If a clock enable signal doesn't,  
 ↳ meet this  
 threshold, it is unmapped into soft logic.

```
-minsrst <num>
```

specifies a minimum number of FFs that should be using,  
 ↳ any given  
 sync set/reset signal. If a sync set/reset signal doesn  
 ↳ 't meet this  
 threshold, it is unmapped into soft logic.

The following cells are supported by this pass (ie. will be ingested,  
 and can be specified as allowed targets):

(continues on next page)

(continued from previous page)

```

- $_DFF_[NP]_
- $_DFFE_[NP][NP]_
- $_DFF_[NP][NP][01]_
- $_DFFE_[NP][NP][01][NP]_
- $_ALDFF_[NP][NP]_
- $_ALDFFE_[NP][NP][NP]_
- $_DFFSR_[NP][NP][NP]_
- $_DFFSRE_[NP][NP][NP][NP]_
- $_SDFF_[NP][NP][01]_
- $_SDFFE_[NP][NP][01][NP]_
- $_SDFFCE_[NP][NP][01][NP]_
- $_SR_[NP][NP]_
- $_DLATCH_[NP]_
- $_DLATCH_[NP][NP][01]_
- $_DLATCHSR_[NP][NP][NP]_

```

The following transformations are performed by this pass:

```

- upconversion from a less capable cell to a more capable cell, if the less
  capable cell is not supported (eg. dff -> dffe, or adff -> dffsr)
- unmapping FFs with clock enable (due to unsupported cell type or -mince)
- unmapping FFs with sync reset (due to unsupported cell type or -minrst)
- adding inverters on the control pins (due to unsupported polarity)
- adding inverters on the D and Q pins and inverting the init/reset values
  (due to unsupported init or reset value)
- converting sr into adlatch (by tying D to 1 and using E as set input)
- emulating unsupported dffsr cell by adff + adff + sr + mux
- emulating unsupported dlatchsr cell by adlatch + adlatch + sr + mux
- emulating adff when the (reset, init) value combination is unsupported by
  dff + adff + dlatch + mux
- emulating adlatch when the (reset, init) value combination is unsupported by
  dlatch + adlatch + dlatch + mux

```

If the pass is unable to realize a given cell type (eg. adff when only plain dff is available), an error is raised.

#### Note

Help text automatically generated from `passes/techmap/dfflegalize.cc:70`

### dfflibmap - technology mapping of flip-flops

```
yosys> help dfflibmap
```

```

dfflibmap [-prepare] [-map-only] [-info] [-dont_use <cell_name>] -liberty <file>_
[selection]

```

Map internal flip-flop cells to the flip-flop cells in the technology library specified in the given liberty files.

(continues on next page)

(continued from previous page)

This pass may add inverters as needed. Therefore it is recommended to first run this pass and then map the logic paths to the target technology.

When called with `-prepare`, this command will convert the internal FF cells to the internal cell types that best match the cells found in the given liberty file, but won't actually map them to the target cells.

When called with `-map-only`, this command will only map internal cell types that are already of exactly the right type to match the target cells, leaving remaining internal cells untouched.

When called with `-info`, this command will only print the target cell list, along with their associated internal cell types, and the arguments that would be passed to the `dfflegalize` pass. The design will not be changed.

When called with `-dont_use`, this command will not map to the specified cell name as an alternative to setting the `dont_use` property in the Liberty file. This argument can be called multiple times with different cell names. This argument also supports simple glob patterns in the cell name.

#### Note

Help text automatically generated from `passes/techmap/dfflibmap.cc:571`

### dffunmap - unmap clock enable and synchronous reset from FFs

yosys> help dffunmap

`dffunmap [options] [selection]`

This pass transforms FF types with clock enable and/or synchronous reset into their base type (with neither clock enable nor sync reset) by emulating the clock enable and synchronous reset with multiplexers on the cell input.

`-ce-only`

unmap only clock enables, leave synchronous resets  
↔ alone.

`-srst-only`

unmap only synchronous resets, leave clock enables  
↔ alone.

**Note**

Help text automatically generated from `passes/techmap/dfunmap.cc:28`

**extract - find subcircuits and replace them with cells**

```
yosys> help extract
```

```
extract -map <map_file> [options] [selection]
```

```
extract -mine <out_file> [options] [selection]
```

This pass looks for subcircuits that are isomorphic to any of the modules in the given map file and replaces them with instances of this modules. The map file can be a Verilog source file (\*.v) or an RTLIL source file (\*.il).

`-map <map_file>` use the modules in this file as reference. This option  
 ↳ can be used multiple times.

`-map %<design-name>` use the modules in this in-memory design as reference.  
 ↳ This option can be used multiple times.

`-verbose` print debug output while analyzing

`-constports` also find instances with constant drivers. this may be  
 ↳ much slower than the normal operation.

`-nodefaultswaps` normally builtin port swapping rules for internal cells  
 ↳ are used per default. This turns that off, so e.g. 'a^b' does not  
 ↳ match 'b^a' when this option is used.

`-compat <needle_type> <haystack_type>` cells in the map file (needle) must  
 ↳ have the type as the cells in the active design (haystack). This  
 ↳ option can be used to register additional pairs of types that  
 ↳ should match. This option can be used multiple times.

`-swap <needle_type> <port1> <port2>` swappable ports for a needle cell  
 ↳ type. This option can be used multiple times.

`-perm <needle_type> <port1> <port2>` permutation of swappable ports for a  
 ↳ needle cell type. This option can be used multiple times.

`-cell_attr <attribute>` `<attribute>` on cells with the given name must match.

`-wire_attr <attribute>` `<attribute>` on wires with the given name must match.

`-ignore_parameters` Do not use parameters when matching cells.

`-ignore_param <cell_type>` `<cell_type>` use `<cell_type>` parameter when matching cells.

This pass does not operate on modules with unprocessed processes in it. (I.e. the 'proc' pass should be used first to convert processes to netlists.)

This pass can also be used for mining for frequent subcircuits. In this mode the following options are to be used instead of the `-map` option.

`-mine <out_file>` mine for frequent subcircuits and write them to the `<out_file>` given RTLIL file

`-mine_cells_span <min>` `<max>` for subcircuits with the specified number of `<min>` `<max>` cells  
 default value: 3 5

`-mine_min_freq <num>` only mine for subcircuits with at least the specified `<num>` number of matches  
 default value: 10

`-mine_limit_matches <num>` `<num>` the number of matches for a subcircuit, `<num>` don't count more than the specified number of matches per module

`-mine_max_fanout <num>` consider internal signals with more than `<num>` connections

The modules in the map file may have the attribute 'extract\_order' set to an integer value. Then this value is used to determine the order in which the pass tries to map the modules to the design (ascending, default value is 0).

See 'help techmap' for a pass that does the opposite thing.

#### Note

Help text automatically generated from `passes/techmap/extract.cc:348`

### extract\_counter - Extract GreenPak4 counter cells

yosys> help extract\_counter

```
extract_counter [options] [selection]
```

This pass converts non-resettable or async resettable counters to counter cells. Use a target-specific 'techmap' map file to convert those cells to the actual target cells.

|                                 |                                                                                                                                                    |
|---------------------------------|----------------------------------------------------------------------------------------------------------------------------------------------------|
| <code>-maxwidth N</code>        | Only extract counters up to N bits wide (default 64)                                                                                               |
| <code>-minwidth N</code>        | Only extract counters at least N bits wide (default 2)                                                                                             |
| <code>-allow_arst yes no</code> | Allow counters to have async reset (default yes)                                                                                                   |
| <code>-dir up down both</code>  | Look for up-counters, down-counters, or both (default <code>u</code><br>↔down)                                                                     |
| <code>-pout X,Y,...</code>      | Only allow parallel output from the counter to the <code>u</code><br>↔listed cell types<br>(if not specified, parallel outputs are not restricted) |

#### Note

Help text automatically generated from `passes/techmap/extract_counter.cc:760`

### extract\_fa - find and extract full/half adders

```
yosys> help extract_fa
```

```
extract_fa [options] [selection]
```

This pass extracts full/half adders from a gate-level design.

|                             |                                                                                                           |
|-----------------------------|-----------------------------------------------------------------------------------------------------------|
| <code>-fa, -ha</code>       | Enable cell types (fa=full adder, ha=half adder)<br>All types are enabled if none of this options is used |
| <code>-d &lt;int&gt;</code> | Set maximum depth for extracted logic cones (default=20)                                                  |
| <code>-b &lt;int&gt;</code> | Set maximum breadth for extracted logic cones <code>u</code><br>↔(default=6)                              |
| <code>-v</code>             | Verbose output                                                                                            |

#### Note

Help text automatically generated from `passes/techmap/extract_fa.cc:542`

**extract\_reduce** - converts gate chains into \$reduce\_\* cells

```
yosys> help extract_reduce
```

```
extract_reduce [options] [selection]
```

converts gate chains into \$reduce\_\* cells

This command finds chains of \$AND\_, \$OR\_, and \$XOR\_ cells and replaces them with their corresponding \$reduce\_\* cells. Because this command only operates on these cell types, it is recommended to map the design to only these cell types using the `abc -g` command. Note that, in some cases, it may be more effective to map the design to only \$AND\_ cells, run extract\_reduce, map the remaining parts of the design to AND/OR/XOR cells, and run extract\_reduce a second time.

**-allow-off-chain** Allows matching of cells that have loads outside the chain. These cells will be replicated and folded into the \$reduce\_\* cell, but the original cell will remain, driving its original loads.

**Note**

Help text automatically generated from passes/techmap/extract\_reduce.cc:35

**extractinv** - extract explicit inverter cells for invertible cell pins

```
yosys> help extractinv
```

```
extractinv [options] [selection]
```

Searches the design for all cells with invertible pins controlled by a cell parameter (eg. IS\_CLK\_INVERTED on many Xilinx cells) and removes the parameter. If the parameter was set to 1, inserts an explicit inverter cell in front of the pin instead. Normally used for output to ISE, which does not support the inversion parameters.

To mark a cell port as invertible, use (\* invertible\_pin = "param\_name" \*) on the wire in the blackbox module. The parameter value should have the same width as the port, and will be effectively XORed with it.

**-inv <celltype>** Specifies the celltype to use for the inverters and its port names. This option is required.

**Note**

Help text automatically generated from passes/techmap/extractinv.cc:37

**flowmap - pack LUTs with FlowMap**

```
yosys> help flowmap
```

```
flowmap [options] [selection]
```

This pass uses the FlowMap technology mapping algorithm to pack logic gates into k-LUTs with optimal depth. It allows mapping any circuit elements that can be evaluated with the `eval` pass, including cells with multiple output ports and multi-bit input and output ports.

|                                                 |                                                                                                                                                                         |
|-------------------------------------------------|-------------------------------------------------------------------------------------------------------------------------------------------------------------------------|
| <code>-maxlut k</code>                          | perform technology mapping for a k-LUT architecture. if ↵<br>↵not specified,<br>defaults to 3.                                                                          |
| <code>-minlut n</code>                          | only produce n-input or larger LUTs. if not specified, ↵<br>↵defaults to 1.                                                                                             |
| <code>-cells &lt;cell&gt;[,&lt;cell&gt;]</code> | only specified cells. if not specified, maps \$_NOT_, \$_<br>↵AND_, \$_OR_,<br>\$_XOR_ and \$_MUX_, which are the outputs of the ↵<br>↵`simplemap` pass.                |
| <code>-relax</code>                             | perform depth relaxation and area minimization.                                                                                                                         |
| <code>-r-alpha n, -r-beta n, -r-gamma n</code>  | parameters of depth relaxation heuristic potential ↵<br>↵function.<br>if not specified, alpha=8, beta=2, gamma=1.                                                       |
| <code>-optarea n</code>                         | optimize for area by trading off at most n logic levels ↵<br>↵for fewer LUTs.<br>n may be zero, to optimize for area without increasing ↵<br>↵depth.<br>implies -relax. |
| <code>-debug</code>                             | dump intermediate graphs.                                                                                                                                               |
| <code>-debug-relax</code>                       | explain decisions performed during depth relaxation.                                                                                                                    |

**Note**

Help text automatically generated from `passes/techmap/flowmap.cc:1475`

**hilomap - technology mapping of constant hi- and/or lo-drivers**

```
yosys> help hilomap
```

```
hilomap [options] [selection]
```

Map constants to 'tielo' and 'tiehi' driver cells.

`-hicell <celltype> <portname>` constant hi bits with this cell.

`-locell <celltype> <portname>` constant lo bits with this cell.

`-singleton` Create only one hi/lo cell and connect all constant bits to that cell. Per default a separate cell is created for each constant bit.

#### **Note**

Help text automatically generated from `passes/techmap/hilomap.cc:57`

### insbuf - insert buffer cells for connected wires

yosys> help insbuf

`insbuf [options] [selection]`

Insert buffer cells into the design for directly connected wires.

`-buf <celltype> <use_changes> <cellportname>` instead of `$_BUF_`. (Notice that, the next call to "clean" will remove all `$_BUF_` in the design.)

`-chain` Chain buffer cells

#### **Note**

Help text automatically generated from `passes/techmap/insbuf.cc:27`

### iopadmap - technology mapping of i/o pads (or buffers)

yosys> help iopadmap

`iopadmap [options] [selection]`

Map module inputs/outputs to PAD cells from a library. This pass can only map to very simple PAD cells. Use 'techmap' to further map the resulting cells to more sophisticated PAD cells.

`-inpad <celltype> <input_port> [<input_port>] [<output_port>]` Map module inputs to the given cell type with the given output port name. if a 2nd portname is given, the signal is passed through the pad cell, using the 2nd portname as the port facing the module port.

|                                                                             |                                                                                                                                                                                                                                                                                                                                                                                                                                                                                                                                                          |
|-----------------------------------------------------------------------------|----------------------------------------------------------------------------------------------------------------------------------------------------------------------------------------------------------------------------------------------------------------------------------------------------------------------------------------------------------------------------------------------------------------------------------------------------------------------------------------------------------------------------------------------------------|
| <code>-outpad &lt;celltype&gt; &lt;out_port&gt;[:&lt;ext_port&gt;]</code>   |                                                                                                                                                                                                                                                                                                                                                                                                                                                                                                                                                          |
| <code>-inoutpad &lt;celltype&gt; &lt;in_port&gt;[:&lt;ext_port&gt;]</code>  | Similar to <code>-outpad</code> for output and inout ports.                                                                                                                                                                                                                                                                                                                                                                                                                                                                                              |
| <code>-toutpad &lt;celltype&gt; &lt;out_port&gt;[:&lt;ext_port&gt;]</code>  | Merges a <code>FBUF</code> cell into <code>&lt;out_port&gt;</code> pad cell. This <ul style="list-style-type: none"> <li>↳ takes precedence</li> <li>over the other <code>-outpad</code> cell. The first portname is the</li> <li>↳ enable input</li> <li>of the tristate driver, which can be prefixed with <code>`~`</code></li> <li>↳ for negative</li> <li>polarity enable.</li> </ul>                                                                                                                                                               |
| <code>-tinoutpad &lt;celltype&gt; &lt;in_port&gt;[:&lt;ext_port&gt;]</code> | Merges a <code>FBUF</code> cell into <code>&lt;in_port&gt;</code> pad cell. This <ul style="list-style-type: none"> <li>↳ takes precedence</li> <li>over the other <code>-inoutpad</code> cell. The first portname is</li> <li>↳ the enable input</li> <li>of the tristate driver and the 2nd portname is the</li> <li>↳ internal output</li> <li>buffering the external signal. Like with <code>`-toutpad`</code>,</li> <li>↳ the enable can</li> <li>be marked as negative polarity by prefixing the name</li> <li>↳ with <code>`~`</code>.</li> </ul> |
| <code>-ignore &lt;celltype&gt; &lt;ports&gt;[:&lt;ports&gt;]</code>         | Skips mapping: <code>&lt;ports&gt;</code> ports that are already connected <ul style="list-style-type: none"> <li>↳ to given</li> <li>ports of the given cell. Can be used multiple times. </li> <li>↳ This is in</li> <li>addition to the cells specified as mapping targets.</li> </ul>                                                                                                                                                                                                                                                                |
| <code>-widthparam &lt;paramname&gt;</code>                                  | Use the specified parameter name to set the port width.                                                                                                                                                                                                                                                                                                                                                                                                                                                                                                  |
| <code>-nameparam &lt;paramname&gt;</code>                                   | Use the specified parameter to set the port name.                                                                                                                                                                                                                                                                                                                                                                                                                                                                                                        |
| <code>-bits</code>                                                          | create individual bit-wide buffers even for ports that are wider. (the default behavior is to create word-wide buffers using <code>-widthparam</code> to set the word size on the <ul style="list-style-type: none"> <li>↳ cell.)</li> </ul>                                                                                                                                                                                                                                                                                                             |

Tristate PADS (`-toutpad`, `-tinoutpad`) always operate in `-bits` mode.

#### Note

Help text automatically generated from `passes/techmap/iopadmap.cc:36`

### libcache - control caching of technology library data parsed from liberty files

```
yosys> help libcache
```

```
libcache {-enable|-disable|-purge} { -all | [path]... }
```

Controls the default and per path caching of liberty file data.

- enable Enable caching.
- disable Disable caching.
- purge Reset cache settings and forget all paths as argument. If no

paths are provided, this command does nothing. The -all option can be used to change the default cache setting for -enable/-disable or to reset and forget about all paths.

By default caching is disabled.

```
libcache -list
```

Displays the current cache settings and cached paths.

```
libcache {-verbose|-quiet}
```

Controls cache use logging.

- verbose Enable printing info when cache is used
- quiet Disable printing info when cache is used (default)

#### Note

Help text automatically generated from `passes/techmap/libcache.cc:27`

### lut2bmux - convert \$lut to \$bmux

```
yosys> help lut2bmux
```

```
lut2bmux [options] [selection]
```

This pass converts \$lut cells to \$bmux cells.

#### Note

Help text automatically generated from `passes/techmap/lut2bmux.cc:27`

### lut2mux - convert \$lut to \$mux/\$\_MUX\_

```
yosys> help lut2mux
```

```
lut2mux [options] [selection]
```

This pass converts \$lut cells to \$mux/\$\_MUX\_ gates.

`-word`

Convert \$lut cells with a single input to word-level  
 ↳ \$mux gates.  
 The default is to convert them to bit-level \$\_MUX\_  
 ↳ gates.

**Note**

Help text automatically generated from `passes/techmap/lut2mux.cc:64`

**macccmap - mapping macc cells**

```
yosys> help macccmap
```

```
macccmap [-unmap] [selection]
```

This pass maps \$macc cells to yosys \$fa and \$alu cells. When the `-unmap` option is used then the \$macc cell is mapped to \$add, \$sub, etc. cells instead.

**Note**

Help text automatically generated from `passes/techmap/macccmap.cc:377`

**muxcover - cover trees of MUX cells with wider MUXes**

```
yosys> help muxcover
```

```
muxcover [options] [selection]
```

Cover trees of \$\_MUX\_ cells with \$\_MUX\_{4,8,16}\_ cells

`-mux4[=cost], -mux8[=cost], -mux16[=cost]` Use the specified types of MUXes  
 ↳ (with optional integer costs). If none of these options are given, the  
 ↳ effect is the same as if all of them are.  
 Default costs: \$\_MUX4\_ = 220, \$\_MUX8\_ = 460,  
 \$\_MUX16\_ = 940

`-mux2=cost` Use the specified cost for \$\_MUX\_ cells when making  
 ↳ covering decisions.  
 Default cost: \$\_MUX\_ = 100

`-dmux=cost` Use the specified cost for \$\_MUX\_ cells used in  
 ↳ decoders.  
 Default cost: 90

|                         |                                                                                                                                                                                |
|-------------------------|--------------------------------------------------------------------------------------------------------------------------------------------------------------------------------|
| <code>-nodecode</code>  | Do not insert decoder logic. This reduces the number of ↵ possible substitutions, but guarantees that the resulting ↵ circuit is not less efficient than the original circuit. |
| <code>-nopartial</code> | Do not consider mappings that use <code>\$_MUX&lt;N&gt;_</code> to select ↵ from less than <code>&lt;N&gt;</code> different signals.                                           |

**Note**

Help text automatically generated from `passes/techmap/muxcover.cc:622`

**nlutmap - map to LUTs of different sizes**

yosys> help nlutmap

`nlutmap [options] [selection]`

This pass uses successive calls to 'abc' to map to an architecture. That provides a small number of differently sized LUTs.

|                                |                                                                                            |
|--------------------------------|--------------------------------------------------------------------------------------------|
| <code>-luts N_1,N_2,N_3</code> | The number of LUTs with 1, 2, 3, ... inputs that are available in the target architecture. |
| <code>-assert</code>           | Create an error if not all logic can be mapped                                             |

Excess logic that does not fit into the specified LUTs is mapped back to generic logic gates (`$_AND_`, etc.).

**Note**

Help text automatically generated from `passes/techmap/nlutmap.cc:131`

**paramap - renaming cell parameters**

yosys> help paramap

`paramap [options] [selection]`

This command renames cell parameters and/or maps key/value pairs to other key/value pairs.

|                                   |                                                                              |
|-----------------------------------|------------------------------------------------------------------------------|
| <code>-tocase &lt;name&gt;</code> | Match attribute names case-insensitively and set it to ↵ the specified name. |
|-----------------------------------|------------------------------------------------------------------------------|

```

-rename <old_name>=<new_name> Rename attributes as specified

-map <old_name>=<map_value>[:<map_value>] as <new_value>
  Map <old_name> to <new_value>

-imap <old_name>=<old_value>[:<old_value>] as <new_value>
  Like <map_value> but use <old_value> as a match for <old_
  ↪value> when
  it is a string value.

-remove <name>=<value> Remove attributes matching this pattern.

```

For example, mapping Diamond-style ECP5 "init" attributes to Yosys-style:

```
paramap -tocase INIT t:LUT4
```

#### Note

Help text automatically generated from `passes/techmap/attrmap.cc:297`

### pmuxtree - transform \$pmux cells to trees of \$mux cells

```
yosys> help pmuxtree
```

```
pmuxtree [selection]
```

This pass transforms \$pmux cells to trees of \$mux cells.

#### Note

Help text automatically generated from `passes/techmap/pmuxtree.cc:69`

### shregmap - map shift registers

```
yosys> help shregmap
```

```
shregmap [options] [selection]
```

This pass converts chains of `$_DFF_[NP]_` gates to target specific shift register primitives. The generated shift register will be of type `$_SHREG_DFF_[NP]_` and will use the same interface as the original `$_DFF*_` cells. The cell parameter 'DEPTH' will contain the depth of the shift register. Use a target-specific 'techmap' map file to convert those cells to the actual target cells.

```

-minlen N      minimum length of shift register (default = 2)
                (this is the length after -keep_before and -keep_after)

-maxlen N      maximum length of shift register (default = no limit)
                larger chains will be mapped to multiple shift register
                ↪instances

```

|                                                    |                                                                                                                                                                                                                                                                                                                                                                     |
|----------------------------------------------------|---------------------------------------------------------------------------------------------------------------------------------------------------------------------------------------------------------------------------------------------------------------------------------------------------------------------------------------------------------------------|
| -keep_before N                                     | number of DFFs to keep before the shift register<br>↪(default = 0)                                                                                                                                                                                                                                                                                                  |
| -keep_after N                                      | number of DFFs to keep after the shift register<br>↪(default = 0)                                                                                                                                                                                                                                                                                                   |
| -clkpol pos neg any                                | limit match to only positive or negative edge clocks.<br>↪(default = any)                                                                                                                                                                                                                                                                                           |
| -enpol pos neg none arity not none arity           | match FFs with the specified enable polarity.<br>↪(default = none)                                                                                                                                                                                                                                                                                                  |
| -match <cell_type>[:<d_port_name>[:<q_port_name>]] | match port specific cell names instead of \$_DFF_N_ and \$_DFF_P_. If<br>↪':<d_port_name>:<q_port_name>' is omitted then 'D' and<br>↪'Q' is used by default. E.g. the option '-clkpol pos' is just an<br>↪alias for '-match \$_DFF_P_', which is an alias for '-match \$_DFF_P_:D:Q'.                                                                               |
| -params                                            | instead of encoding the clock and enable polarity in<br>↪the cell name by deriving from the original cell name, simply name all<br>↪generated cells \$_SHREG_ and use CLKPOL and ENPOL parameters. An ENPOL<br>↪value of 2 is used to denote cells without enable input. The ENPOL<br>↪parameter is omitted when '-enpol none' (or no -enpol option) is<br>↪passed. |
| -zinit                                             | assume the shift register is automatically zero-<br>↪initialized, so it becomes legal to merge zero initialized FFs into the<br>↪shift register.                                                                                                                                                                                                                    |
| -init                                              | map initialized registers to the shift reg, add an INIT<br>↪parameter to generated cells with the initialization value. (first<br>↪bit to shift out in LSB position)                                                                                                                                                                                                |
| -tech greenpak4                                    | map to greenpak4 shift registers.                                                                                                                                                                                                                                                                                                                                   |

**Note**

Help text automatically generated from passes/techmap/shregmap.cc:376

## simplemap - mapping simple coarse-grain cells

```
yosys> help simplemap
```

```
simplemap [selection]
```

This pass maps a small selection of simple coarse-grain cells to yosys gate primitives. The following internal cell types are mapped by this pass:

```
$not, $pos, $and, $or, $xor, $xnor
$reduce_and, $reduce_or, $reduce_xor, $reduce_xnor, $reduce_bool
$logic_not, $logic_and, $logic_or, $mux, $pmux, $tribuf
$sr, $ff, $dff, $dffe, $dffsr, $dffsre, $adff, $adffe, $aldff, $aldffe, $sdff,
$sdffe, $sdffce, $dlatch, $adlatch, $dlatchsr
```

### Note

Help text automatically generated from `passes/techmap/simplemap.cc:549`

## techmap - generic technology mapper

```
yosys> help techmap
```

```
techmap [-map filename] [selection]
```

This pass implements a very simple technology mapper that replaces cells in the design with implementations given in form of a Verilog or RTLIL source file.

|                                        |                                                                                                                                                                       |
|----------------------------------------|-----------------------------------------------------------------------------------------------------------------------------------------------------------------------|
| <code>-map filename</code>             | the library of cell implementations to be used. without this parameter a builtin library is used that transforms the internal RTL cells to the internal gate library. |
| <code>-map %&lt;design-name&gt;</code> | like <code>-map</code> above, but with an in-memory design instead of a file.                                                                                         |
| <code>-extern</code>                   | load the cell implementations as separate modules into the design instead of inlining them.                                                                           |
| <code>-max_iter &lt;number&gt;</code>  | only run the specified number of iterations on each module. default: unlimited                                                                                        |
| <code>-recursive</code>                | instead of the iterative breadth-first algorithm use a recursive depth-first algorithm. both methods should yield equivalent results, but may differ in performance.  |

|                                                    |                                                                                                                                                                                                |
|----------------------------------------------------|------------------------------------------------------------------------------------------------------------------------------------------------------------------------------------------------|
| <code>-autoproc</code>                             | Automatically call "proc" on implementations that<br>↳ contain processes.                                                                                                                      |
| <code>-wb</code>                                   | Ignore the 'whitebox' attribute on cell implementations.                                                                                                                                       |
| <code>-assert</code>                               | this option will cause techmap to exit with an error if<br>↳ it can't map<br>a selected cell. only cell types that end on an<br>↳ underscore are accepted<br>as final cell types by this mode. |
| <code>-D &lt;define&gt;, -I &lt;include&gt;</code> | These options are passed as-is to the Verilog frontend<br>↳ for loading the<br>map file. Note that the Verilog frontend is also called<br>↳ with the<br>'-nooverwrite' option set.             |
| <code>-dont_map &lt;celltype&gt;</code>            | Leave the given cell type unmapped by ignoring any<br>↳ mapping rules for it                                                                                                                   |
| <code>-relativeshare</code>                        | use paths relative to share directory for source<br>↳ locations<br>where possible (experimental).                                                                                              |

When a module in the map file has the 'techmap\_celltype' attribute set, it will match cells with a type that match the text value of this attribute. Otherwise the module name will be used to match the cell. Multiple space-separated cell types can be listed, and wildcards using [] will be expanded (ie. "\$\_DFF\_[PN]\_" is the same as "\$\_DFF\_P\_ \$\_DFF\_N\_").

When a module in the map file has the 'techmap\_simplemap' attribute set, techmap will use 'simplemap' (see 'help simplemap') to map cells matching the module.

When a module in the map file has the 'techmap\_macccmap' attribute set, techmap will use 'macccmap' (see 'help macccmap') to map cells matching the module.

When a module in the map file has the 'techmap\_wrap' attribute set, techmap will create a wrapper for the cell and then run the command string that the attribute is set to on the wrapper module.

When a port on a module in the map file has the 'techmap\_autopurge' attribute set, and that port is not connected in the instantiation that is mapped, then a cell port connected only to such wires will be omitted in the mapped version of the circuit.

All wires in the modules from the map file matching the pattern `_TECHMAP_*` or `*._TECHMAP_*` are special wires that are used to pass instructions from the mapping module to the techmap command. At the moment the following special wires are supported:

(continues on next page)

(continued from previous page)

**\_TECHMAP\_FAIL\_**

When this wire is set to a non-zero constant value, techmap will not use this module and instead try the next module with a matching 'techmap\_celltype' attribute.

When such a wire exists but does not have a constant value after all `_TECHMAP_DO_*` commands have been executed, an error is generated.

**\_TECHMAP\_DO\_\***

This wires are evaluated in alphabetical order. The constant text value of this wire is a yosys command (or sequence of commands) that is run by techmap on the module. A common use case is to run 'proc' on modules that are written using always-statements.

When such a wire has a non-constant value at the time it is to be evaluated, an error is produced. That means it is possible for such a wire to start out as non-constant and evaluate to a constant value during processing of other `_TECHMAP_DO_*` commands.

A `_TECHMAP_DO_*` command may start with the special token 'CONSTMAP; '. in this case techmap will create a copy for each distinct configuration of constant inputs and shorted inputs at this point and import the constant and connected bits into the map module. All further commands are executed in this copy. This is a very convenient way of creating optimized specializations of techmap modules without using the special parameters described below.

A `_TECHMAP_DO_*` command may start with the special token 'RECURSION; '. then techmap will recursively replace the cells in the module with their implementation. This is not affected by the `-max_iter` option.

It is possible to combine both prefixes to 'RECURSION; CONSTMAP; '.

**\_TECHMAP\_REMOVEINIT\_<port-name>**

When this wire is set to a constant value, the init attribute of the wire(s) connected to this port will be consumed. This wire must have the same width as the given port, and for every bit that is set to 1 in the value, the corresponding init attribute bit will be changed to 1'bx. If all bits of an init attribute are left as x, it will be removed.

In addition to this special wires, techmap also supports special parameters in modules in the map file:

**\_TECHMAP\_CELLTYPE\_**

When a parameter with this name exists, it will be set to the type name of the cell that matches the module.

**\_TECHMAP\_CELLNAME\_**

When a parameter with this name exists, it will be set to the name of the cell that matches the module.

**\_TECHMAP\_CONSTMSK\_<port-name>**

(continues on next page)

(continued from previous page)

`_TECHMAP_CONSTVAL_<port-name>_`

When this pair of parameters is available in a module for a port, then former has a 1-bit for each constant input bit and the latter has the value for this bit. The unused bits of the latter are set to undef (x).

`_TECHMAP_WIREINIT_<port-name>_`

When a parameter with this name exists, it will be set to the initial value of the wire(s) connected to the given port, as specified by the init attribute. If the attribute doesn't exist, x will be filled for the missing bits. To remove the init attribute bits used, use the `_TECHMAP_REMOVEINIT_*_ wires`.

`_TECHMAP_BITS_CONNMAP_``_TECHMAP_CONNMAP_<port-name>_`

For an N-bit port, the `_TECHMAP_CONNMAP_<port-name>_` parameter, if it exists, will be set to an `N*_TECHMAP_BITS_CONNMAP_` bit vector containing N words (of `_TECHMAP_BITS_CONNMAP_` bits each) that assign each single bit driver a unique id. The values 0-3 are reserved for 0, 1, x, and z. This can be used to detect shorted inputs.

When a module in the map file has a parameter where the according cell in the design has a port, the module from the map file is only used if the port in the design is connected to a constant value. The parameter is then set to the constant value.

A cell with the name `_TECHMAP_REPLACE_` in the map file will inherit the name and attributes of the cell that is being replaced.

A cell with a name of the form ``_TECHMAP_REPLACE_.<suffix>`` in the map file will be named thus but with the ``_TECHMAP_REPLACE_`` prefix substituted with the name of the cell being replaced.

Similarly, a wire named in the form ``_TECHMAP_REPLACE_.<suffix>`` will cause a new wire alias to be created and named as above but with the ``_TECHMAP_REPLACE_`` prefix also substituted.

A cell with the type `_TECHMAP_PLACEHOLDER_` in the map file will have its type changed to the content of the `techmap_chtype` attribute. This allows for choosing the cell type dynamically.

See 'help extract' for a pass that does the opposite thing.

See 'help flatten' for a pass that does flatten the design (which is essentially techmap but using the design itself as map library).

**Note**

Help text automatically generated from `passes/techmap/techmap.cc:964`

**tribuf - infer tri-state buffers**

yosys> help tribuf

tribuf [options] [selection]

This pass transforms \$mux cells with 'z' inputs to tristate buffers.

**-merge**

merge multiple tri-state buffers driving the same net into a single buffer.

**-logic**

convert tri-state buffers that do not drive output ports to non-tristate logic. this option implies `-merge`.

**-formal**

convert all tri-state buffers to non-tristate logic and add a formal assertion that no two buffers are driving the same net simultaneously. this option implies `-merge`.

**Note**

Help text automatically generated from `passes/techmap/tribuf.cc:179`

**zinit - add inverters so all FF are zero-initialized**

yosys> help zinit

zinit [options] [selection]

Add inverters as needed to make all FFs zero-initialized.

**-all**

also add zero initialization to uninitialized FFs

**Note**

Help text automatically generated from `passes/techmap/zinit.cc:29`

**Design modification****abstract - replace signals with abstract values during formal verification**

yosys> help abstract

```
abstract [mode] [options] [selection]
```

Perform abstraction of signals within the design. Abstraction replaces a signal with an unconstrained abstract value that can take an arbitrary concrete value during formal verification. The mode and options control when a signal should be abstracted and how it should affect FFs present in the design.

Modes:

**-state**

The selected FFs will be modified to load a new  
↳ abstract value on every  
active clock edge, async reset or async load. This is  
↳ independent of any  
clock enable that may be present on the FF cell.  
↳ Conditional abstraction  
is supported with the `-enable/-enabln` options. If  
↳ present, the condition  
is sampled at the same time as the FF would sample the  
↳ corresponding data  
or `async-data` input whose value will be replaced with  
↳ an abstract value.

The selection can be used to specify which state bits  
↳ to abstract. For  
each selected wire, any state bits that the wire is  
↳ driven by will be  
abstracted. For a selected FF cell, all of its state is  
↳ abstracted.  
Individual bits of a single wire can be abstracted using  
↳ the `-slice` and

**-rtlilslice options.**

**-init**

The selected FFs will be modified to have an abstract  
↳ initial value.  
The `-enable/-enabln` options are not supported in this  
↳ mode.

The selection is used in the same way as it is for the `-`  
↳ `state` mode.

**-value**

The drivers of the selected signals will be replaced  
↳ with an abstract  
value. In this mode, the abstract value can change at  
↳ any time and is  
not synchronized to any clock or other signal.  
↳ Conditional abstraction  
is supported with the `-enable/-enabln` options. The  
↳ condition will  
combinationally select between the original driver and  
↳ the abstract  
value.

(continues on next page)

(continued from previous page)

The selection can be used to specify which output bits  
 ↪ of which drivers  
 to abstract. For a selected cell, all its output bits  
 ↪ will be abstracted.  
 For a selected wire, every output bit that is driving  
 ↪ the wire will be  
 abstracted. Individual bits of a single wire can be  
 ↪ abstracted using the

`-slice` and `-rtlilslice` options.

`-enable` <wire-name>

`-enablen` <wire-name> Perform conditional abstraction with a named single bit  
 ↪ wire as  
 condition. For `-enable` the wire is used as an active-  
 ↪ high condition and  
 for `-enablen` as an active-low condition. See the  
 ↪ description of the

`-state` and `-value` modes for details. The condition lifetime is  
 ↪ not supported in  
 the `-init` mode.

`-initstates` <n> Perform conditional abstraction for the first <n> time  
 ↪ steps. See the  
 description of the `-state` and `-value` modes for details  
 ↪ on how the  
 condition affects the abstractions performed by either  
 ↪ mode. This option  
 is not supported in the `-init` mode.

`-slice` <lhs>:<rhs>

`-slice` <index>

`-rtlilslice` <lhs>:<rhs>

`-rtlilslice` <index> Limit the abstraction to a slice of a single selected  
 ↪ wire. The targeted  
 bits of the wire can be given as an inclusive range of  
 ↪ indices or as a  
 single index. When using the `-slice` option, the indices  
 ↪ are interpreted  
 following the source level declaration of the wire.  
 ↪ This means the

`-slice` option will respect declarations with the `-rtlilslice` based index range  
 ↪ always use  
 zero-based indexing where index 0 corresponds to the  
 ↪ least significant  
 bit of the wire.

**Note**

Help text automatically generated from `passes/cmds/abstract.cc:320`

**add - add objects to the design**

```
yosys> help add
```

```
add <command> [selection]
```

This command adds objects to the design. It operates on all fully selected modules. So e.g. 'add -wire foo' will add a wire foo to all selected modules.

```
add {-wire|-input|-inout|-output} <name> <width> [selection]
```

Add a wire (input, inout, output port) with the given name and width. The command will fail if the object exists already and has different properties than the object to be created.

```
add -global_input <name> <width> [selection]
```

Like 'add -input', but also connect the signal between instances of the selected modules.

```
add {-assert|-assume|-live|-fair|-cover} <name1> [-if <name2>]
```

Add an \$assert, \$assume, etc. cell connected to a wire named name1, with its enable signal optionally connected to a wire named name2 (default: 1'b1).

```
add -mod <name[s]>
```

Add module[s] with the specified name[s].

**Note**

Help text automatically generated from `passes/cmds/add.cc:118`

**autoname - automatically assign names to objects**

```
yosys> help autoname
```

```
autoname [selection]
```

Assign auto-generated public names to objects with private names (the ones with \$-prefix).

**Note**

Help text automatically generated from `passes/cmds/autoname.cc:111`

**blackbox - convert modules into blackbox modules**

yosys&gt; help blackbox

`blackbox [options] [selection]`

Convert modules into blackbox modules (remove contents and set the blackbox module attribute).

**Note**

Help text automatically generated from `passes/cmds/blackbox.cc:26`

**box\_derive - derive box modules**

yosys&gt; help box\_derive

`box_derive [-base <base_module>] [-naming_attr <attr>] [selection]`

As part of the assembly of the design hierarchy done by the 'hierarchy' command, specializations of parametric modules are derived on demand: for each choice of parameter values appearing in the design, a copy of the parametric module is derived which is specialized to that choice.

This derivation process ignores blackboxes and whiteboxes (boxes). To supplement, this 'box\_derive' command can be used to request the derivation of modules based on box instances appearing in the design, which is desirable in certain use cases. Only the selected cells are considered as the instances that steer the derivation process.

`-base <base_module>` Instead of deriving the module that directly corresponds to each box instance, derive a specialization of `<base_module>` (this option applies to all selected box cells)

`-naming_attr <attr>` Once a specialization is derived, use the value of the `<attr>` module attribute for a name which should be used for the derived module (this replaces the internal Yosys naming scheme in which the names of derived modules start with '\$paramod\$')

`-apply_derived_type` Use the derived modules

**Note**

Help text automatically generated from `passes/cmds/box_derive.cc:25`

**bugpoint - minimize testcases**

```
yosys> help bugpoint
```

```
bugpoint [options] [-script <filename> | -command "<command>"]
```

This command minimizes the current design that is known to crash Yosys with the given script into a smaller testcase. It does this by removing an arbitrary part of the design and recursively invokes a new Yosys process with this modified design and the same script, repeating these steps while it can find a smaller design that still causes a crash. Once this command finishes, it replaces the current design with the smallest testcase it was able to produce. In order to save the reduced testcase you must write this out to a file with another command after `bugpoint` like `write\_rtlil` or `write\_verilog`.

- `-script <filename>` use this script to crash Yosys.   
 ↪ required.
- `-yosys <filename>` use this Yosys binary. if not specified, `yosys` is   
 ↪ used.
- `-grep "<string>"` only consider crashes that place this string in the log   
 ↪ file.
- `-expect-return <int>` only consider crashes that return the specified value.   
 ↪ e.g. SEGFALT   
 ↪ returns a value of 139.
- `-fast` run `proc\_clean; clean -purge` after each minimization   
 ↪ step. converges   
 ↪ faster, but produces larger testcases, and may fail to   
 ↪ produce any   
 ↪ testcase at all if the crash is related to dangling   
 ↪ wires.
- `-clean` run `proc\_clean; clean -purge` before checking testcase   
 ↪ and after   
 ↪ finishing. produces smaller and more useful testcases,   
 ↪ but may fail to   
 ↪ produce any testcase at all if the crash is related to   
 ↪ dangling wires.
- `-runner "<prefix>"` child process wrapping command, e.g., "timeout 30", or   
 ↪ valgrind.
- `-err-grep "<string>"` only consider crashes that print this string on stderr.   
 ↪ useful for   
 ↪ errors outside of yosys.
- `-suffix "<string>"` add suffix to generated file names. useful when running   
 ↪ more than one

(continues on next page)

(continued from previous page)

instance of bugpoint in the same directory. limited to ↵  
↵8 characters.

It is possible to constrain which parts of the design will be considered for removal. Unless one or more of the following options are specified, all parts will be considered.

|                           |                                                                                                                                              |
|---------------------------|----------------------------------------------------------------------------------------------------------------------------------------------|
| <code>-modules</code>     | try to remove modules. modules with a <code>(* bugpoint_keep_↵<br/>↵*)</code> attribute will be skipped.                                     |
| <code>-ports</code>       | try to remove module ports. ports with a <code>(* bugpoint_↵<br/>↵keep *)</code> attribute will be skipped (useful for clocks, resets, etc.) |
| <code>-cells</code>       | try to remove cells. cells with a <code>(* bugpoint_keep *)_↵<br/>↵attribute</code> will be skipped.                                         |
| <code>-connections</code> | try to reconnect ports to 'x.                                                                                                                |
| <code>-processes</code>   | try to remove processes. processes with a <code>(* bugpoint_↵<br/>↵keep *)</code> attribute will be skipped.                                 |
| <code>-assigns</code>     | try to remove process assigns from cases.                                                                                                    |
| <code>-updates</code>     | try to remove process updates from syncs.                                                                                                    |
| <code>-wires</code>       | try to remove wires. wires with a <code>(* bugpoint_keep *)_↵<br/>↵attribute</code> will be skipped.                                         |

**Note**

Help text automatically generated from `passes/cmds/bugpoint.cc:40`

**chparam - re-evaluate modules with new parameters**

```
yosys> help chparam
```

```
chparam [ -set name value ]... [selection]
```

Re-evaluate the selected modules with new parameters. String values must be passed in double quotes (").

```
chparam -list [selection]
```

List the available parameters of the selected modules.

**Note**

Help text automatically generated from `passes/cmds/setattr.cc:197`

### chtype - change type of cells in the design

```
yosys> help chtype
```

```
chtype [options] [selection]
```

Change the types of cells in the design.

```
-set <type>          set the cell type to the given type
```

```
-map <old_type> <new_type>  map cells types that match <old_type> to <new_type>
```

```
-publish_icells      change internal cells types to public types
```

**Note**

Help text automatically generated from `passes/cmds/chtype.cc:47`

### clean\_zerowidth - clean zero-width connections from the design

```
yosys> help clean_zerowidth
```

```
clean_zerowidth [selection]
```

Fixes the selected cells and processes to contain no zero-width connections. Depending on the cell type, this may be implemented by removing the connection, widening it to 1-bit, or removing the cell altogether.

**Note**

Help text automatically generated from `passes/cmds/clean_zerowidth.cc:28`

### connect - create or remove connections

```
yosys> help connect
```

```
connect [-nomap] [-nounset] -set <lhs-expr> <rhs-expr> [selection]
```

Create a connection. This is equivalent to adding the statement 'assign <lhs-expr> = <rhs-expr>;' to the Verilog input. Per default, all existing drivers for <lhs-expr> are unconnected. This can be overwritten by using the -nounset option.

```
connect [-nomap] -unset <expr> [selection]
```

Unconnect all existing drivers for the specified expression.

```
connect [-nomap] [-assert] -port <cell> <port> <expr> [selection]
```

Connect the specified cell port to the specified cell port.

Per default signal alias names are resolved and all signal names are mapped to the signal name of the primary driver. Using the -nomap option deactivates this behavior.

The connect command operates in one module only. Either only one module must be selected or an active module must be set using the 'cd' command.

The -assert option verifies that the connection already exists, instead of making it.

This command does not operate on module with processes.

#### Note

Help text automatically generated from passes/cmds/connect.cc:45

## connwrappers - match width of input-output port pairs

```
yosys> help connwrappers
```

```
connwrappers [options] [selection]
```

Wrappers are used in coarse-grain synthesis to wrap cells with smaller ports in wrapper cells with a (larger) constant port size. I.e. the upper bits of the wrapper output are signed/unsigned bit extended. This command uses this knowledge to rewire the inputs of the driven cells to match the output of the driving cell.

```
-signed <cell_type> <port_name> <width_param>
```

```
-unsigned <cell_type> <port_name> <width_param> / unsigned wrapper output
```

```
-port <cell_type> <port_name> <width_param> <signed_param> if signed or  
↳ unsigned
```

The options -signed, -unsigned, and -port can be specified multiple times.

**Note**

Help text automatically generated from `passes/cmds/connwrappers.cc:145`

**copy - copy modules in the design**

```
yosys> help copy
```

```
copy old_name new_name
```

Copy the specified module. Note that selection patterns are not supported by this command.

**Note**

Help text automatically generated from `passes/cmds/copy.cc:28`

**delete - delete objects in the design**

```
yosys> help delete
```

```
delete [selection]
```

Deletes the selected objects. This will also remove entire modules, if the whole module is selected.

```
delete {-input|-output|-port} [selection]
```

Does not delete any object but removes the input and/or output flag on the selected wires, thus 'deleting' module ports.

**Note**

Help text automatically generated from `passes/cmds/delete.cc:26`

**design - save, restore and reset current design**

```
yosys> help design
```

```
design -reset
```

Clear the current design.

```
design -save <name>
```

Save the current design under the given name.

```
design -stash <name>
```

Save the current design under the given name and then clear the current design.

```
design -push
```

Push the current design to the stack and then clear the current design.

```
design -push-copy
```

Push the current design to the stack without clearing the current design.

```
design -pop
```

Reset the current design and pop the last design from the stack.

```
design -load <name>
```

Reset the current design and load the design previously saved under the given name.

```
design -copy-from <name> [-as <new_mod_name>] <selection>
```

Copy modules from the specified design into the current one. The selection is evaluated in the other design.

```
design -copy-to <name> [-as <new_mod_name>] [selection]
```

Copy modules from the current design into the specified one.

```
design -import <name> [-as <new_top_name>] [selection]
```

Import the specified design into the current design. The source design must either have a selected top module or the selection must contain exactly one module that is then used as top module for this command.

```
design -reset-vlog
```

The Verilog front-end remembers defined macros and top-level declarations between calls to 'read\_verilog'. This command resets this memory.

```
design -delete <name>
```

Delete the design previously saved under the given name.

#### Note

Help text automatically generated from passes/cmds/design.cc:30

### **design\_equal** - check if two designs are the same

```
yosys> help design_equal
```

`design_equal <name>`

Compare the current design with the design previously saved under the given name. Abort with an error if the designs are different.

**Note**

Help text automatically generated from `passes/cmds/design_equal.cc:328`

## expose - convert internal signals to module ports

yosys> help expose

`expose [options] [selection]`

This command exposes all selected internal signals of a module as additional outputs.

|                                     |                                                                                                                                                                                   |
|-------------------------------------|-----------------------------------------------------------------------------------------------------------------------------------------------------------------------------------|
| <code>-dff</code>                   | only consider wires that are directly driven by<br>↳register cell.                                                                                                                |
| <code>-cut</code>                   | when exposing a wire, create an input/output pair and<br>↳cut the internal signal path at that wire.                                                                              |
| <code>-input</code>                 | when exposing a wire, create an input port and<br>↳disconnect the internal driver.                                                                                                |
| <code>-shared</code>                | only expose those signals that are shared among the<br>↳selected modules.<br>this is useful for preparing modules for equivalence<br>↳checking.                                   |
| <code>-evert</code>                 | also turn connections to instances of other modules to<br>↳additional inputs and outputs and remove the module instances.                                                         |
| <code>-evert-dff</code>             | turn flip-flops to sets of inputs and outputs.                                                                                                                                    |
| <code>-sep &lt;separator&gt;</code> | when creating new wire/port names, the original object<br>↳name is suffixed with this separator (default: '.') and the port name or<br>↳a type designator for the exposed signal. |

**Note**

Help text automatically generated from passes/sat/expose.cc:218

### icell\_liberty - write Liberty interfaces for used internal cells

yosys> help icell\_liberty

icell\_liberty <liberty\_file>

Write Liberty files modeling the interfaces of used internal cells.

Models are not guaranteed to be logically sound.

#### Note

Help text automatically generated from passes/cmds/icell\_liberty.cc:150

### linecoverage - report coverage information

yosys> help linecoverage

linecoverage [options] [selection]

This command prints coverage information on the design based on the current selection, where items in the selection are considered covered and items not in the selection are considered uncovered. If the same source location is found both on items inside and out of the selection, it is considered uncovered.

`-lcov <filename>` write coverage information in lcov format to this file

#### Note

Help text automatically generated from passes/cmds/linecoverage.cc:32

### rename - rename object in the design

yosys> help rename

rename old\_name new\_name

Rename the specified object. Note that selection patterns are not supported by this command.

rename -output old\_name new\_name

Like above, but also make the wire an output. This will fail if the object is not a wire.

```
rename -src [selection]
```

Assign names auto-generated from the src attribute to all selected wires and cells with private names.

```
rename -wire [selection] [-move-to-cell] [-suffix <suffix>]
```

Assign auto-generated names based on the wires they drive to all selected cells with private names. Ignores cells driving privately named wires. By default, the cell is named after the wire with the cell type as suffix. The `-suffix` option can be used to set the suffix to the given string instead.

The `-move-to-cell` option can be used to name the cell after the wire without any suffix. If this would lead to conflicts, the suffix is added to the wire instead. For cells driving ports, the `-move-to-cell` option is ignored.

```
rename -enumerate [-pattern <pattern>] [selection]
```

Assigns auto-generated names to objects used in formal verification that do not have a public name. This applies to all formal property cells, `$any*/$all*` output wires, and their containing cells.

```
rename -witness
```

Assigns auto-generated names to objects used in formal verification that do not have a public name. This applies to all formal property cells (`$assert`, `$assume`, `$cover`, `$live`, `$fair`, `$check`), `$any*/$all*` output wires, and their containing cells.

```
rename -hide [selection]
```

Assign private names (the ones with `$-` prefix) to all selected wires and cells with public names. This ignores all selected ports.

```
rename -top new_name
```

Rename top module.

```
rename -scramble-name [-seed <seed>] [selection]
```

Assign randomly-generated names to all selected wires and cells. The seed option can be used to change the random number generator seed from the default, but it must be non-zero.

```
rename -unescape [selection]
```

Rename all selected public wires and cells that have to be escaped in Verilog. Replaces characters with underscores or adds additional underscores and numbers.

#### Note

Help text automatically generated from `passes/cmds/rename.cc:219`

**scatter - add additional intermediate nets**

```
yosys> help scatter
```

```
scatter [selection]
```

This command adds additional intermediate nets on all cell ports. This is used for testing the correct use of the SigMap helper in passes. If you don't know what this means: don't worry -- you only need this pass when testing your own extensions to Yosys.

Use the `opt_clean` command to get rid of the additional nets.

**Note**

Help text automatically generated from `passes/cmds/scatter.cc:29`

**setattr - set/unset attributes on objects**

```
yosys> help setattr
```

```
setattr [ -mod ] [ -set name value | -unset name ]... [selection]
```

Set/unset the given attributes on the selected objects. String values must be passed in double quotes (").

When called with `-mod`, this command will set and unset attributes on modules instead of objects within modules.

**Note**

Help text automatically generated from `passes/cmds/setattr.cc:58`

**setparam - set/unset parameters on objects**

```
yosys> help setparam
```

```
setparam [ -type cell_type ] [ -set name value | -unset name ]... [selection]
```

Set/unset the given parameters on the selected cells. String values must be passed in double quotes (").

The `-type` option can be used to change the cell type of the selected cells.

**Note**

Help text automatically generated from `passes/cmds/setattr.cc:145`

**setundef - replace undef values with defined constants**

```
yosys> help setundef
```

```
setundef [options] [selection]
```

This command replaces undef (x) constants with defined (0/1) constants.

|                                   |                                                                                                                  |
|-----------------------------------|------------------------------------------------------------------------------------------------------------------|
| <code>-undriven</code>            | also set undriven nets to constant values                                                                        |
| <code>-expose</code>              | also expose undriven nets as inputs (use with <code>-undriven</code> )                                           |
| <code>-zero</code>                | replace with bits cleared (0)                                                                                    |
| <code>-one</code>                 | replace with bits set (1)                                                                                        |
| <code>-undef</code>               | replace with undef (x) bits, may be used with <code>-undriven</code>                                             |
| <code>-anyseq</code>              | replace with \$anyseq drivers (for formal)                                                                       |
| <code>-anyconst</code>            | replace with \$anyconst drivers (for formal)                                                                     |
| <code>-random &lt;seed&gt;</code> | replace with random bits using the specified integer as <code>seed</code> value for the random number generator. |
| <code>-init</code>                | also create/update init values for flip-flops                                                                    |
| <code>-params</code>              | replace undef in cell parameters                                                                                 |

**Note**

Help text automatically generated from `passes/cmds/setundef.cc:110`

**sort - sort the design objects**

```
yosys> help sort
```

```
sort
```

Sorts the design objects.

**Note**

Help text automatically generated from `passes/cmds/sort.cc:7`

**splice - create explicit splicing cells**

```
yosys> help splice
```

```
splice [options] [selection]
```

This command adds \$slice and \$concat cells to the design to make the splicing of multi-bit signals explicit. This for example is useful for coarse grain synthesis, where dedicated hardware is needed to splice signals.

- ```
-sel_by_cell
```

 only select the cell ports to rewire by the cell. if `U`  
↳ the selection  
contains a cell, than all cell inputs are rewired, if `U`  
↳ necessary.
- ```
-sel_by_wire
```

 only select the cell ports to rewire by the wire. if `U`  
↳ the selection  
contains a wire, than all cell ports driven by this `U`  
↳ wire are wired,  
if necessary.
- ```
-sel_any_bit
```

 it is sufficient if the driver of any bit of a cell `U`  
↳ port is selected.  
by default all bits must be selected.
- ```
-wires
```

 also add \$slice and \$concat cells to drive otherwise `U`  
↳ unused wires.
- ```
-no_outputs
```

 do not rewire selected module outputs.
- ```
-port <name>
```

 only rewire cell ports with the specified name. can be `U`  
↳ used multiple  
times. implies `-no_output`.
- ```
-no_port <name>
```

 do not rewire cell ports with the specified name. can `U`  
↳ be used multiple  
times. can not be combined with `-port <name>`.

By default selected output wires and all cell ports of selected cells driven by selected wires are rewired.

**Note**

Help text automatically generated from `passes/cmds/splice.cc:248`

**splitcells - split up multi-bit cells**

```
yosys> help splitcells
```

```
splitcells [options] [selection]
```

This command splits multi-bit cells into smaller chunks, based on usage of the cell output bits.

This command operates only in cells such as \$or, \$and, and \$mux, that are easily cut into bit-slices.

```
-format char1[char2[char3]] char is inserted between the cell name and
↳the bit index, the
second char is appended to the cell name. e.g. -format
↳() creates cell
names like 'mycell(42)'. the 3rd character is the range
↳separation
character when creating multi-bit cells. the default is
↳'[]:'.
```

**Note**

Help text automatically generated from `passes/cmds/splitcells.cc:200`

**splitnets - split up multi-bit nets**

```
yosys> help splitnets
```

```
splitnets [options] [selection]
```

This command splits multi-bit nets into single-bit nets.

```
-format char1[char2[char3]] char is inserted between the net name and the
↳bit index, the
second char is appended to the netname. e.g. -format ()
↳creates net
names like 'mysignal(42)'. the 3rd character is the
↳range separation
character when creating multi-bit wires. the default is
↳'[]:'.
```

```
-ports
```

```
also split module ports. per default only internal
↳signals are split.
```

`-driver`

don't blindly split nets in individual bits. instead,  
 ↳ look at the driver  
 and split nets so that no driver drives only part of a  
 ↳ net.

**Note**

Help text automatically generated from `passes/cmds/splitnets.cc:98`

**test\_select - call internal selection methods on design for testing purposes**

```
yosys> help test_select
```

```
test_select [options]
```

Test semantics of internal 'RTLIL::Design::selected\_modules()' by modifying the current selection to only include the results of the call.

Includes partially selected modules by default, use one of the following options to remove them instead:

`-whole_only``-whole_warn``-whole_err``-whole_cmderr`

remove partially selected modules, raising warning,  
 ↳ error, or cmd error

```
test_select -unboxed_only [options]
```

Remove boxed modules from selection.

`-include_wb`

don't remove white boxes from selection

`-warn_boxes``-err_boxes``-cmderr_boxes`

raise warning, error, or cmd error if a box is removed

**Note**

Help text automatically generated from `passes/cmds/test_select.cc:7`

**timeest - estimate timing**

```
yosys> help timeest
```

```
timeest [-clk <clk_signal>] [options] [selection]
```

Estimate the critical path by counting AIG nodes.

**-all\_paths** Print or select nodes from all critical paths instead of focusing on a single illustratory path.

**-select** Select the nodes of a critical path

**Note**

Help text automatically generated from passes/cmds/timeest.cc:376

**wbflip - flip the whitebox attribute**

```
yosys> help wbflip
```

```
wbflip [selection]
```

Flip the whitebox attribute on selected cells. I.e. if it's set, unset it, and vice-versa. Blackbox cells are not effected by this command.

**Note**

Help text automatically generated from passes/cmds/setattr.cc:114

**wrapcell - wrap individual cells into new modules**

```
yosys> help wrapcell
```

```
wrapcell -name <format> [selection]
```

This command wraps the selected cells individually into modules. The name for each wrapper module is derived from the template <format> by substituting parameter values as specified in curly brackets. If the named module already exists, it is reused.

If the template contains the special string '{%unused}', the command tracks unused output ports -- specialized wrapper modules will be generated per every distinct set of unused port bits as appearing on any selected cell.

**-setattr <attribute> <name>** given boolean attribute on each created wrapper module

```
-formatattr <attribute-name> <format>
  substitute <format> on the created wrapper module by
  ↪ substituting
  parameter values into <format>
```

Currently this command only supports wrapping internal cell types.

#### **Note**

Help text automatically generated from `passes/cmds/wrapcell.cc:128`

## Equivalence checking

### equiv\_add - add a \$equiv cell

```
yosys> help equiv_add
```

```
equiv_add [-try] gold_sig gate_sig
```

This command adds an \$equiv cell for the specified signals.

```
equiv_add [-try] -cell gold_cell gate_cell
```

This command adds \$equiv cells for the ports of the specified cells.

#### **Note**

Help text automatically generated from `passes/equiv/equiv_add.cc:27`

### equiv\_induct - proving \$equiv cells using temporal induction

```
yosys> help equiv_induct
```

```
equiv_induct [options] [selection]
```

Uses a version of temporal induction to prove \$equiv cells.

Only selected \$equiv cells are proven and only selected cells are used to perform the proof.

```
-undef          enable modelling of undef states
```

```
-seq <N>       the max. number of time steps to be considered (default
  ↪ = 4)
```

```
-set-assumes   set all assumptions provided via $assume cells
```

```
-ignore-unknown-cells ignore all cells that can not be matched to a SAT model
```

This command is very effective in proving complex sequential circuits, when the internal state of the circuit quickly propagates to \$equiv cells.

However, this command uses a weak definition of 'equivalence': This command proves that the two circuits will not diverge after they produce equal outputs (observable points via \$equiv) for at least <N> cycles (the <N> specified via -seq).

Combined with simulation this is very powerful because simulation can give you confidence that the circuits start out synced for at least <N> cycles after reset.

#### Note

Help text automatically generated from passes/equiv/equiv\_induct.cc:165

### equiv\_make - prepare a circuit for equivalence checking

yosys> help equiv\_make

```
equiv_make [options] gold_module gate_module equiv_module
```

This creates a module annotated with \$equiv cells from two presumably equivalent modules. Use commands such as 'equiv\_simple' and 'equiv\_status' to work with the created equivalent checking module.

-inames	Also match cells and wires with \$... names.
-blacklist <file>	Do not match cells or signals that match the names in <u>the file</u> .
-encfile <file>	Match FSM encodings using the description from the file. See 'help fsm_recode' for details.
-make_assert	Check equivalence with \$assert cells instead of \$equiv. \$eqx (==) is used to compare signals.

Note: The circuit created by this command is not a miter (with something like a trigger output), but instead uses \$equiv cells to encode the equivalence checking problem. Use 'miter -equiv' if you want to create a miter circuit.

**Note**

Help text automatically generated from `passes/equiv/equiv_make.cc:429`

**equiv\_mark - mark equivalence checking regions**

```
yosys> help equiv_mark
```

```
equiv_mark [options] [selection]
```

This command marks the regions in an equivalence checking module. Region 0 is the proven part of the circuit. Regions with higher numbers are connected unproven subcircuits. The integer attribute 'equiv\_region' is set on all wires and cells.

**Note**

Help text automatically generated from `passes/equiv/equiv_mark.cc:206`

**equiv\_miter - extract miter from equiv circuit**

```
yosys> help equiv_miter
```

```
equiv_miter [options] miter_module [selection]
```

This creates a miter module for further analysis of the selected \$equiv cells.

`-trigger` Create a trigger output

`-cmp` Create `cmp_*` outputs for individual unproven \$equiv cells

`-assert` Create a \$assert cell for each unproven \$equiv cell

`-undef` Create compare logic that handles undefs correctly

**Note**

Help text automatically generated from `passes/equiv/equiv_miter.cc:263`

**equiv\_opt - prove equivalence for optimized circuit**

```
yosys> help equiv_opt
```

```
equiv_opt [options] [command]
```

This command uses temporal induction to check circuit equivalence before and after an optimization pass.

<code>-run &lt;from_label&gt; &lt;to_label&gt;</code>	run the commands between the labels (see below). ↳ an empty from label is synonymous to the start of the command ↳ list, and empty to label is synonymous to the end of the command list.
<code>-map &lt;filename&gt;</code>	expand the modules in this file before proving ↳ equivalence. this is useful for handling architecture-specific primitives.
<code>-blacklist &lt;file&gt;</code>	Do not match cells or signals that match the names in ↳ the file (passed to equiv_make).
<code>-assert</code>	produce an error if the circuits are not equivalent.
<code>-multiclock</code>	run clk2fflogic before equivalence checking.
<code>-async2sync</code>	run async2sync before equivalence checking.
<code>-undef</code>	enable modelling of undef states during equiv_induct.
<code>-nocheck</code>	disable running check before and after the command ↳ under test.

The following commands are executed by this verification command:

```
run_pass:
  hierarchy -auto-top
  design -save preopt
  check -assert      (unless -nocheck)
  [command]
  check -assert      (unless -nocheck)
  design -stash postopt

prepare:
  design -copy-from preopt -as gold A:top
  design -copy-from postopt -as gate A:top

techmap:      (only with -map)
  techmap -wb -D EQUIV -autoproc -map <filename> ...

prove:
  clk2fflogic      (only with -multiclock)
  async2sync       (only with -async2sync)
  equiv_make -blacklist <filename> ... gold gate equiv
  equiv_induct [-undef] equiv
  equiv_status [-assert] equiv
```

(continues on next page)

(continued from previous page)

```
restore:
  design -load preopt
```

**Note**

Help text automatically generated from `passes/equiv/equiv_opt.cc:27`

**equiv\_purge - purge equivalence checking module**

```
yosys> help equiv_purge
```

```
equiv_purge [options] [selection]
```

This command removes the proven part of an equivalence checking module, leaving only the unproven segments in the design. This will also remove and add module ports as needed.

**Note**

Help text automatically generated from `passes/equiv/equiv_purge.cc:178`

**equiv\_remove - remove \$equiv cells**

```
yosys> help equiv_remove
```

```
equiv_remove [options] [selection]
```

This command removes the selected \$equiv cells. If neither `-gold` nor `-gate` is used then only proven cells are removed.

```
-gold      keep gold circuit
```

```
-gate      keep gate circuit
```

**Note**

Help text automatically generated from `passes/equiv/equiv_remove.cc:26`

**equiv\_simple - try proving simple \$equiv instances**

```
yosys> help equiv_simple
```

```
equiv_simple [options] [selection]
```

This command tries to prove \$equiv cells using a simple direct SAT approach.

<code>-undef</code>	enable modelling of undef states
<code>-seq &lt;N&gt;</code>	the max. number of time steps to be considered (default ↵ ↵= 1)
<code>-set-assumes</code>	set all assumptions provided via \$assume cells
<code>-ignore-unknown-cells</code>	ignore all cells that can not be matched to a SAT model
<code>-v</code>	verbose output
<code>-short</code>	create shorter input cones that stop at shared nodes. ↵ ↵This yields simpler SAT problems but sometimes fails to prove ↵ ↵equivalence.
<code>-nogroup</code>	disabling grouping of \$equiv cells by output wire

**Note**

Help text automatically generated from `passes/equiv/equiv_simple.cc:422`

**equiv\_status - print status of equivalent checking module**

yosys> help equiv\_status

equiv\_status [options] [selection]

This command prints status information for all selected \$equiv cells.

`-assert` produce an error if any unproven \$equiv cell is found

**Note**

Help text automatically generated from `passes/equiv/equiv_status.cc:26`

**equiv\_struct - structural equivalence checking**

yosys> help equiv\_struct

equiv\_struct [options] [selection]

This command adds additional \$equiv cells based on the assumption that the gold and gate circuit are structurally equivalent. Note that this can introduce bad \$equiv cells in cases where the netlists are not structurally equivalent, for example when analyzing circuits with cells with commutative inputs. This command will also de-duplicate gates.

<code>-fwd</code>	by default this command performs forward sweeps until ↳ nothing can be merged by forwards sweeps, then backward sweeps ↳ until forward sweeps are effective again. with this option set only ↳ forward sweeps are performed.
<code>-fwnonly &lt;cell_type&gt;</code>	add the specified cell type to the list of cell types ↳ that are only merged in forward sweeps and never in backward sweeps. ↳ \$equiv is in this list automatically.
<code>-icells</code>	by default, the internal RTL and gate cell types are ↳ ignored. add this option to also process those cell types with this ↳ command.
<code>-maxiter &lt;N&gt;</code>	maximum number of iterations to run before aborting

**Note**

Help text automatically generated from `passes/equiv/equiv_struct.cc:285`

**Simulating circuits****eval - evaluate the circuit given an input**

```
yosys> help eval
```

```
eval [options] [selection]
```

This command evaluates the value of a signal given the value of all required inputs.

<code>-set &lt;signal&gt; &lt;value&gt;</code>	set the specified signal to the specified value.
<code>-set-undef</code>	set all unspecified source signals to undef (x)
<code>-table &lt;signal&gt;</code>	create a truth table using the specified input signals
<code>-show &lt;signal&gt;</code>	show the value for the specified signal. if no <code>-show</code> ↳ option is passed then all output ports of the current module are used.

**Note**

Help text automatically generated from `passes/sat/eval.cc:361`

**fst2tb - generate testbench out of fst file**

```
yosys> help fst2tb
```

```
fst2tb [options] [top-level]
```

This command generates testbench for the circuit using the given top-level module and stimulus signal from FST file

<code>-tb &lt;name&gt;</code>	generated testbench name. files <code>&lt;name&gt;.v</code> and <code>&lt;name&gt;.txt</code> are created as result.
<code>-r &lt;filename&gt;</code>	read simulation FST file
<code>-clock &lt;portname&gt;</code>	name of top-level clock input
<code>-clockn &lt;portname&gt;</code>	name of top-level clock input (inverse polarity)
<code>-scope &lt;name&gt;</code>	scope of simulation top model
<code>-start &lt;time&gt;</code>	start co-simulation in arbitrary time (default 0)
<code>-stop &lt;time&gt;</code>	stop co-simulation in arbitrary time (default END)
<code>-n &lt;integer&gt;</code>	number of clock cycles to simulate (default: 20)

**Note**

Help text automatically generated from `passes/sat/sim.cc:2932`

**sim - simulate the circuit**

```
yosys> help sim
```

```
sim [options] [top-level]
```

This command simulates the circuit using the given top-level module.

<code>-vcd &lt;filename&gt;</code>	write the simulation results to the given VCD file
<code>-fst &lt;filename&gt;</code>	write the simulation results to the given FST file

<code>-aiw &lt;filename&gt;</code>	write the simulation results to an AIGER witness file (requires a *.aim file via -map)
<code>-hdlname</code>	use the hdlname attribute when writing simulation results (preserves hierarchy in a flattened design)
<code>-x</code>	ignore constant x outputs in simulation file.
<code>-date</code>	include date and full version info in output.
<code>-clock &lt;portname&gt;</code>	name of top-level clock input
<code>-clockn &lt;portname&gt;</code>	name of top-level clock input (inverse polarity)
<code>-multiclock</code>	mark that witness file is multiclock.
<code>-reset &lt;portname&gt;</code>	name of top-level reset input (active high)
<code>-resetn &lt;portname&gt;</code>	name of top-level inverted reset input (active low)
<code>-rstlen &lt;integer&gt;</code>	number of cycles reset should stay active (default: 1)
<code>-zinit</code>	zero-initialize all uninitialized regs and memories
<code>-timescale &lt;string&gt;</code>	include the specified timescale declaration in the vcd
<code>-n &lt;integer&gt;</code>	number of clock cycles to simulate (default: 20)
<code>-noinitstate</code>	do not activate \$initstate cells during the first cycle
<code>-a</code>	use all nets in VCD/FST operations, not just those with public names
<code>-w</code>	writeback mode: use final simulation state as new init state
<code>-r &lt;filename&gt;</code>	read simulation or formal results file File formats supported: FST, VCD, AIW, WIT and .yw VCD support requires vcd2fst external tool to be present
<code>-width &lt;integer&gt;</code>	cycle width in generated simulation output (must be divisible by 2).
<code>-append &lt;integer&gt;</code>	number of extra clock cycles to simulate for a Yosys witness input

<code>-summary &lt;filename&gt;</code>	write a JSON summary to the given file
<code>-map &lt;filename&gt;</code>	read file with port and latch symbols, needed for AIGER ↪ witness input
<code>-scope &lt;name&gt;</code>	scope of simulation top model
<code>-at &lt;time&gt;</code>	sets start and stop time
<code>-start &lt;time&gt;</code>	start co-simulation in arbitrary time (default 0)
<code>-stop &lt;time&gt;</code>	stop co-simulation in arbitrary time (default END)
<code>-sim</code>	simulation with stimulus from FST (default)
<code>-sim-cmp</code>	co-simulation expect exact match
<code>-sim-gold</code>	co-simulation, x in simulation can match any value in ↪ FST
<code>-sim-gate</code>	co-simulation, x in FST can match any value in ↪ simulation
<code>-assert</code>	fail the simulation command if, in the course of ↪ simulating, any of the asserts in the design fail
<code>-fst-noinit</code>	do not initialize latches and memories from an input ↪ FST or VCD file (use the initial defined by the design instead)
<code>-q</code>	disable per-cycle/sample log message
<code>-d</code>	enable debug output

**Note**

Help text automatically generated from `passes/sat/sim.cc:2586`

**Design status**

`cd` - a shortcut for `'select -module <name>'`

```
yosys> help cd
```

```
cd <modname>
```

This is just a shortcut for 'select -module <modname>'.

```
cd <cellname>
```

When no module with the specified name is found, but there is a cell with the specified name in the current module, then this is equivalent to 'cd <celltype>'.

```
cd ..
```

Remove trailing substrings that start with '.' in current module name until the name of a module in the current design is generated, then switch to that module. Otherwise clear the current selection.

```
cd
```

This is just a shortcut for 'select -clear'.

#### Note

Help text automatically generated from passes/cmds/select.cc:1668

### check - check for obvious problems in the design

```
yosys> help check
```

```
check [options] [selection]
```

This pass identifies the following problems in the current design:

- combinatorial loops
- two or more conflicting drivers for one wire
- used wires that do not have a driver

Options:

<code>-noinit</code>	also check for wires which have the 'init' attribute set
<code>-initdrv</code>	also check for wires that have the 'init' attribute set, ↳ and are not driven by an FF cell type
<code>-mapped</code>	also check for internal cells that have not been mapped, ↳ to cells of the target architecture
<code>-allow-tbuf</code>	modify the -mapped behavior to still allow <code>\$_TBUF_</code> cells
<code>-assert</code>	produce a runtime error if any problems are found in, ↳ the current design

```
-force-detailed-loop-check
```

↳ detection of combinatorial loops, use a  
 ↳ detailed connectivity  
 model for all internal cells for which it is available.↳  
 ↳ This disables  
 falling back to a simpler overapproximating model for↳  
 ↳ those cells for  
 which the detailed model is expected costly.

**Note**

Help text automatically generated from `passes/cmds/check.cc:31`

**debug - run command with debug log messages enabled**

```
yosys> help debug
```

```
debug cmd
```

Execute the specified command with debug log messages enabled

```
debug -on
debug -off
```

Enable or disable debug log messages globally

**Note**

Help text automatically generated from `passes/cmds/trace.cc:104`

**edgetypes - list all types of edges in selection**

```
yosys> help edgetypes
```

```
edgetypes [options] [selection]
```

This command lists all unique types of 'edges' found in the selection. An 'edge' is a 4-tuple of source and sink cell type and port name.

**Note**

Help text automatically generated from `passes/cmds/edgetypes.cc:28`

**exec - execute commands in the operating system shell**

```
yosys> help exec
```

```
exec [options] -- [command]
```

Execute a command in the operating system shell. All supplied arguments are concatenated and passed as a command to `popen(3)`. Whitespace is not guaranteed to be preserved, even if quoted. `stdin` and `stderr` are not connected, while `stdout` is logged unless the `-q` option is specified.

<code>-q</code>	Suppress <code>stdout</code> and <code>stderr</code> from subprocess
<code>-expect-return &lt;if&gt;</code>	Generate an error if <code>popen()</code> does not return specified value. May only be specified once; the final specified value is controlling if specified multiple times.
<code>-expect-stdout &lt;regex&gt;</code>	Generate an error if the specified regex does not match any line in subprocess's <code>stdout</code> . May be specified multiple times.
<code>-not-expect-stdout &lt;regex&gt;</code>	Generate an error if the specified regex matches any line in subprocess's <code>stdout</code> . May be specified multiple times.  Example: <code>exec -q -expect-return 0 -- echo "bananapie"   grep "nana"</code>

#### Note

Help text automatically generated from `passes/cmds/exec.cc:40`

### log - print text and log files

```
yosys> help log
```

```
log [options] string
```

```
log [ -push | -pop ]
```

Print the given string to the screen and/or the log file. This is useful for TCL scripts, because the TCL command `"puts"` only goes to `stdout` but not to logfiles.

<code>-stdout</code>	Print the output to <code>stdout</code> too. This is useful when all Yosys is executed with a script and the <code>-q</code> (quiet operation) argument to notify the user.
----------------------	-----------------------------------------------------------------------------------------------------------------------------------------------------------------------------

<code>-stderr</code>	Print the output to stderr too.
<code>-nolog</code>	Don't use the internal <code>log()</code> command. Use either <code>-stdout</code> or <code>-stderr</code> , otherwise no output will be generated at all.
<code>-n</code>	do not append a newline
<code>-header</code>	log a pass header
<code>-push</code>	push a new level on the pass counter
<code>-pop</code>	pop from the pass counter

**Note**

Help text automatically generated from `passes/cmds/logcmd.cc:28`

**logger - set logger properties**

```
yosys> help logger
```

```
logger [options]
```

This command sets global logger properties, also available using command line options.

<code>-[no]time</code>	enable/disable display of timestamp in log output.
<code>-[no]stderr</code>	enable/disable logging errors to stderr.
<code>-warn regex</code>	print a warning for all log messages matching the regex.
<code>-nowarn regex</code>	if a warning message matches the regex, it is printed <code>␣</code> ↳ as regular message instead.
<code>-werror regex</code>	if a warning message matches the regex, it is printed <code>␣</code> ↳ as error message instead and the tool terminates with a nonzero <code>␣</code> ↳ return code.
<code>-[no]debug</code>	globally enable/disable debug log messages.
<code>-experimental &lt;feature&gt;</code>	print warnings for the specified experimental <code>␣</code> ↳ feature

- `-expect <type> <regexp> <expected log>` error to appear. matched errors  
 ↳ will terminate with exit code 0.  
 Types `prefix-log`, `prefix-warning` and `prefix-error` match  
 ↳ the entire logged string, including filename if present.
- `-expect-no-warnings` gives error in case there is at least one warning that  
 ↳ is not expected.
- `-check-expected` verifies that the patterns previously set up by `-expect`  
 ↳ have actually been met, then clears the expected log list. If this  
 ↳ is not called manually, the check will happen at yosys exit time  
 ↳ instead.

**Note**

Help text automatically generated from `passes/cmds/logger.cc:27`

**ls - list modules or objects in modules**

yosys> help ls

ls [selection]

When no active module is selected, this prints a list of modules.

When an active module is selected, this prints a list of objects in the module.

**Note**

Help text automatically generated from `passes/cmds/select.cc:1785`

**ltp - print longest topological path**

yosys> help ltp

ltp [options] [selection]

This command prints the longest topological path in the design. (Only considers paths within a single module, so the design must be flattened.)

`-noff`

automatically exclude FF cell types

**Note**

Help text automatically generated from `passes/cmds/ltp.cc:144`

**plugin - load and list loaded plugins**

```
yosys> help plugin
```

```
plugin [options]
```

Load and list loaded plugins.

```
-i <plugin_filename> Load (install) the specified plugin.
```

```
-a <alias_name> Register the specified alias name for the loaded plugin
```

```
-l List loaded plugins
```

**Note**

Help text automatically generated from `passes/cmds/plugin.cc:149`

**portarcs - derive port arcs for propagation delay**

```
yosys> help portarcs
```

```
portarcs [options] [selection]
```

This command characterizes the combinational content of selected modules and derives timing arcs going from module inputs to module outputs representing the propagation delay of the module.

```
-draw plot the computed delay table to the terminal
```

```
-icells assign unit delay to gates from the internal Yosys cell library
```

```
-write write the computed arcs back into the module as $specify2 instances
```

**Note**

Help text automatically generated from `passes/cmds/portarcs.cc:41`

**portlist - list (top-level) ports**

```
yosys> help portlist
```

```
portlist [options] [selection]
```

This command lists all module ports found in the selected modules.

If no selection is provided then it lists the ports on the top module.

```
-m
```

print verilog blackbox module definitions instead of  
↳port lists

**Note**

Help text automatically generated from passes/cmds/portlist.cc:28

**printattrs - print attributes of selected objects**

```
yosys> help printattrs
```

```
printattrs [selection]
```

Print all attributes of the selected objects.

**Note**

Help text automatically generated from passes/cmds/printattrs.cc:27

**scc - detect strongly connected components (logic loops)**

```
yosys> help scc
```

```
scc [options] [selection]
```

This command identifies strongly connected components (aka logic loops) in the design.

```
-expect <num>
```

expect to find exactly <num> SCCs. A different number  
↳of SCCs will  
produce an error.

```
-max_depth <num>
```

limit to loops not longer than the specified number of  
↳cells. This  
can e.g. be useful in identifying small local loops in  
↳a module that  
implements one large SCC.

<code>-nofeedback</code>	do not count cells that have their output fed back into ↳ one of their inputs as single-cell scc.
<code>-all_cell_types</code>	Usually this command only considers internal non-memory ↳ cells. With this option set, all cells are considered. For unknown ↳ cells all ports are assumed to be bidirectional 'inout' ports.
<code>-set_attr &lt;name&gt;</code>	<del>value</del> specified attribute on all cells that are part ↳ of a logic loop. the special token {} in the value is replaced ↳ with a unique identifier for the logic loop.
<code>-select</code>	replace the current selection with a selection of all ↳ cells and wires that are part of a found logic loop
<code>-specify</code>	examine specify rules to detect logic loops in whitebox/ ↳ blackbox cells

**Note**

Help text automatically generated from passes/cmds/scc.cc:252

**scratchpad - get/set values in the scratchpad**

```
yosys> help scratchpad
```

```
scratchpad [options]
```

This pass allows reading and modifying values from the scratchpad of the current design. Options:

<code>-get &lt;identifier&gt;</code>	print the value saved in the scratchpad under the given ↳ identifier.
<code>-set &lt;identifier&gt;</code>	<del>value</del> save the given value in the scratchpad under the given ↳ identifier.
<code>-unset &lt;identifier&gt;</code>	remove the entry for the given identifier from the ↳ scratchpad.
<code>-copy &lt;identifier&gt;</code>	<del>copy the value of the</del> copy the value of the ↳ first identifier to the second ↳ identifier.

```
-assert <identifier> <value> that the entry for the given identifier is set
↳ to the given
↳ value.
```

```
-assert-set <identifier> that the entry for the given identifier exists.
```

```
-assert-unset <identifier> that the entry for the given identifier does not
↳ exist.
```

The identifier may not contain whitespace. By convention, it is usually prefixed by the name of the pass that uses it, e.g. 'opt.did\_something'. If the value contains whitespace, it must be enclosed in double quotes.

#### Note

Help text automatically generated from passes/cmds/scratchpad.cc:28

## select - modify and view the list of selected objects

```
yosys> help select
```

```
select [ -add | -del | -set <name> ] {-read <filename> | <selection>}
```

```
select [ -unset <name> ]
```

```
select [ <assert_option> ] {-read <filename> | <selection>}
```

```
select [ -list | -list-mod | -write <filename> | -count | -clear ]
```

```
select -module <modname>
```

Most commands use the list of currently selected objects to determine which part of the design to operate on. This command can be used to modify and view this list of selected objects.

Note that many commands support an optional [selection] argument that can be used to override the global selection for the command. The syntax of this optional argument is identical to the syntax of the <selection> argument described here.

```
-add, -del      add or remove the given objects to the current
↳ selection.
without this options the current selection is replaced.
```

```
-set <name>     do not modify the current selection. instead save the
↳ new selection
under the given name (see @<name> below). to save the
↳ current selection,
use "select -set <name> %"
```

<code>-unset &lt;name&gt;</code>	do not modify the current selection. instead remove a ↵ ↵previously saved selection under the given name (see @<name> below).
<code>-assert-none</code>	do not modify the current selection. instead assert ↵ ↵that the given selection is empty. i.e. produce an error if any object ↵ ↵or module matching the selection is found.
<code>-assert-any</code>	do not modify the current selection. instead assert ↵ ↵that the given selection is non-empty. i.e. produce an error if no ↵ ↵object or module matching the selection is found.
<code>-assert-mod-count N</code>	do not modify the current selection. instead assert ↵ ↵that the given selection contains exactly N modules (partially or ↵ ↵fully selected).
<code>-assert-count N</code>	do not modify the current selection. instead assert ↵ ↵that the given selection contains exactly N objects.
<code>-assert-max N</code>	do not modify the current selection. instead assert ↵ ↵that the given selection contains less than or exactly N objects.
<code>-assert-min N</code>	do not modify the current selection. instead assert ↵ ↵that the given selection contains at least N objects.
<code>-list</code>	list all objects in the current selection
<code>-write &lt;filename&gt;</code>	like -list but write the output to the specified file
<code>-read &lt;filename&gt;</code>	read the specified file (written by -write)
<code>-count</code>	count all objects in the current selection
<code>-clear</code>	clear the current selection. this effectively selects ↵ ↵the whole design. it also resets the selected module (see - ↵module). use the command 'select *' to select everything but stay in the ↵ ↵current module.
<code>-none</code>	create an empty selection. the current module is ↵ ↵unchanged.

```
-module <modname> limit the current scope to the specified module.
                    the difference between this and simply selecting the
                    ↪module
                    is that all object names are interpreted relative to
                    ↪this
                    module after this command until the selection is
                    ↪cleared again.
```

When this command is called without an argument, the current selection is displayed in a compact form (i.e. only the module name when a whole module is selected).

The <selection> argument itself is a series of commands for a simple stack machine. Each element on the stack represents a set of selected objects. After this commands have been executed, the union of all remaining sets on the stack is computed and used as selection for the command.

Pushing (selecting) object when not in -module mode:

```
<mod_pattern>
  select the specified module(s)

<mod_pattern>/<obj_pattern>
  select the specified object(s) from the module(s)
```

Pushing (selecting) object when in -module mode:

```
<obj_pattern>
  select the specified object(s) from the current module
```

By default, patterns will not match black/white-box modules or their contents. To include such objects, prefix the pattern with '='.

A <mod\_pattern> can be a module name, wildcard expression (\*, ?, [..]) matching module names, or one of the following:

```
A:<pattern>, A:<pattern>=<pattern>
  all modules with an attribute matching the given pattern
  in addition to = also <, <=, >=, and > are supported

N:<pattern>
  all modules with a name matching the given pattern
  (i.e. 'N:' is optional as it is the default matching rule)
```

An <obj\_pattern> can be an object name, wildcard expression, or one of the following:

```
w:<pattern>
  all wires with a name matching the given wildcard pattern

i:<pattern>, o:<pattern>, x:<pattern>
  all inputs (i:), outputs (o:) or any ports (x:) with matching names
```

(continues on next page)

(continued from previous page)

```

s:<size>, s:<min>:<max>
    all wires with a matching width

m:<pattern>
    all memories with a name matching the given pattern

c:<pattern>
    all cells with a name matching the given pattern

t:<pattern>
    all cells with a type matching the given pattern

t:@<name>
    all cells with a type matching a module in the saved selection <name>

p:<pattern>
    all processes with a name matching the given pattern

a:<pattern>
    all objects with an attribute name matching the given pattern

a:<pattern>=<pattern>
    all objects with a matching attribute name-value-pair.
    in addition to = also <, <=, >=, and > are supported

r:<pattern>, r:<pattern>=<pattern>
    cells with matching parameters. also with <, <=, >= and >.

n:<pattern>
    all objects with a name matching the given pattern
    (i.e. 'n:' is optional as it is the default matching rule)

@<name>
    push the selection saved prior with 'select -set <name> ...'

```

The following actions can be performed on the top sets on the stack:

```

%
    push a copy of the current selection to the stack

%%
    replace the stack with a union of all elements on it

%n
    replace top set with its invert

%u
    replace the two top sets on the stack with their union

%i
    replace the two top sets on the stack with their intersection

```

(continues on next page)

(continued from previous page)

```

%d
    pop the top set from the stack and subtract it from the new top

%D
    like %d but swap the roles of two top sets on the stack

%c
    create a copy of the top set from the stack and push it

%x[<num1>|*][.<num2>][:<rule>[:<rule>..]]
    expand top set <num1> num times according to the specified rules.
    (i.e. select all cells connected to selected wires and select all
    wires connected to selected cells) The rules specify which cell
    ports to use for this. the syntax for a rule is a '-' for exclusion
    and a '+' for inclusion, followed by an optional comma separated
    list of cell types followed by an optional comma separated list of
    cell ports in square brackets. a rule can also be just a cell or wire
    name that limits the expansion (is included but does not go beyond).
    select at most <num2> objects. a warning message is printed when this
    limit is reached. When '*' is used instead of <num1> then the process
    is repeated until no further object are selected.

%ci[<num1>|*][.<num2>][:<rule>[:<rule>..]]
%co[<num1>|*][.<num2>][:<rule>[:<rule>..]]
    similar to %x, but only select input (%ci) or output cones (%co)

%xe[...] %cie[...] %coe
    like %x, %ci, and %co but only consider combinatorial cells

%a
    expand top set by selecting all wires that are (at least in part)
    aliases for selected wires.

%s
    expand top set by adding all modules that implement cells in selected
    modules

%m
    expand top set by selecting all modules that contain selected objects

%M
    select modules that implement selected cells

%C
    select cells that implement selected modules

%R[<num>]
    select <num> random objects from top selection (default 1)

```

Example: the following command selects all wires that are connected to a 'GATE' input of a 'SWITCH' cell:

(continues on next page)

(continued from previous page)

```
select */t:SWITCH %x:+[GATE] */t:SWITCH %d
```

**Note**

Help text automatically generated from `passes/cmds/select.cc:1084`

**setenv - set an environment variable**

```
yosys> help setenv
```

```
setenv name value
```

Set the given environment variable on the current process. Values containing whitespace must be passed in double quotes (").

**Note**

Help text automatically generated from `passes/cmds/setenv.cc:26`

**show - generate schematics using graphviz**

```
yosys> help show
```

```
show [options] [selection]
```

Create a graphviz DOT file for the selected part of the design and compile it to a graphics file (usually SVG or PostScript).

`-viewer <viewer>` Run the specified command with the graphics file as ↵  
↵ parameter.  
On Windows, this pauses yosys until the viewer exits.  
Use "`-viewer none`" to not run any command.

`-format <format>` Generate a graphics file in the specified format. Use ↵  
↵ '`dot`' to just  
generate a `.dot` file, or other `<format>` strings such as ↵  
↵ '`svg`' or '`ps`'  
to generate files in other formats (this calls the '`dot`' ↵  
↵ command).

`-lib <verilog_or_hdl_file>` Use the specified library file for determining whether ↵  
↵ cell ports are  
inputs or outputs. This option can be used multiple ↵  
↵ times to specify  
more than one library.  
  
note: in most cases it is better to load the library ↵

(continues on next page)

(continued from previous page)

	<p>↪ before calling show with 'read_verilog -lib &lt;filename&gt;'. it is also ↪ possible to load liberty files with 'read_liberty -lib &lt;filename&gt;'. ↪</p>
-prefix <prefix>	generate <prefix>.* instead of ~/.yosys_show.*
-color <color> <object>	<p>assign the specified color to the specified object. The ↪ object can be a single selection wildcard expressions or a saved set ↪ of objects in the @&lt;name&gt; syntax (see "help select" for details). ↪</p>
-label <text> <object>	<p>assign the specified label text to the specified object. ↪ The object can be a single selection wildcard expressions or a saved ↪ set of objects in the @&lt;name&gt; syntax (see "help select" for details). ↪</p>
-colors <seed>	<p>Randomly assign colors to the wires. The integer ↪ argument is the seed for the random number generator. Change the seed value ↪ if the colored graph still is ambiguous. A seed of zero deactivates ↪ the coloring. ↪</p>
-colorattr <attribute name>	<p>Use the specified attribute to assign colors. A unique ↪ color is assigned to each unique value of this attribute. ↪</p>
-wireshape <graph wire shape>	Use the specified shape for wire nodes. E.g. plaintext.
-width	<p>annotate buses with a label indicating the width of the ↪ bus. ↪</p>
-signed	<p>mark ports (A, B) that are declared as signed (using ↪ the [AB]_SIGNED cell parameter) with an asterisk next to the port name. ↪</p>
-stretch	<p>stretch the graph so all inputs are on the left side ↪ and all outputs (including inout ports) are on the right side. ↪</p>
-pause	wait for the user to press enter to before returning
-enum	enumerate objects with internal (\$-prefixed) names
-long	<p>do not abbreviate objects with internal (\$-prefixed) ↪ names ↪</p>

<code>-notitle</code>	do not add the module name as graph title to the dot_ ↪file
<code>-nobg</code>	don't run viewer in the background, IE wait for the_ ↪viewer tool to exit before returning
<code>-href</code>	adds href attribute to all items representing cells and_ ↪wires, using src attribute of origin

When no <format> is specified, 'dot' is used. When no <format> and <viewer> is specified, 'xdot' is used to display the schematic (POSIX systems only).

The generated output files are '~/yosys\_show.dot' and '~/yosys\_show.<format>', unless another prefix is specified using `-prefix <prefix>`.

Yosys on Windows and YosysJS use different defaults: The output is written to 'show.dot' in the current directory and new viewer is launched each time the 'show' command is executed.

#### Note

Help text automatically generated from `passes/cmds/show.cc:664`

### sta - perform static timing analysis

yosys> help sta

sta [options] [selection]

This command performs static timing analysis on the design. (Only considers paths within a single module, so the design must be flattened.)

#### Note

Help text automatically generated from `passes/cmds/sta.cc:278`

### stat - print some statistics

yosys> help stat

stat [options] [selection]

Print some statistics (number of objects) on the selected portion of the design.

Extracts the area of cells from a liberty file, if provided.

<code>-top &lt;module&gt;</code>	print design hierarchy with this module as top. if the ↳ design is fully selected and a module has the 'top' attribute set, this ↳ module is used default value for this option.
<code>-liberty &lt;liberty file&gt;</code>	cell area information from the provided liberty file
<code>-tech &lt;technology&gt;</code>	print area estimate for the specified technology.↳ ↳ Currently supported values for <technology>: xilinx, analogdevices, cmos
<code>-width</code>	annotate internal cell types with their word width. e.g. \$add_8 for an 8 bit wide \$add cell.
<code>-json</code>	output the statistics in a machine-readable JSON format. this is output to the console; use "tee" to output to a ↳ file.
<code>-hierarchy</code>	print hierarchical statistics, i.e. The area and number↳ ↳ of cells include submodules. this changes the format of the json output.

**Note**

Help text automatically generated from `passes/cmds/stat.cc:884`

**tee - redirect command output to file**

yosys> help tee

```
tee [-q] [-o logfile|-a logfile] cmd
```

Execute the specified command, optionally writing the commands output to the specified logfile(s).

<code>-q</code>	Do not print output to the normal destination (console↳ ↳ and/or log file).
<code>-o logfile</code>	Write output to this file, truncate if exists.
<code>-a logfile</code>	Write output to this file, append if exists.
<code>-s scratchpad</code>	Write output to this scratchpad value, truncate if it↳ ↳ exists.  +INT, -INT Add/subtract INT from the -v setting for this command.

**Note**

Help text automatically generated from `passes/cmds/tee.cc:28`

**torder - print cells in topological order**

```
yosys> help torder
```

```
torder [options] [selection]
```

This command prints the selected cells in topological order.

```
-stop <cell_type> <cell_port> the specified cell port in topological
↳ sorting
```

```
-noautostop by default Q outputs of internal FF cells and memory
↳ read port outputs
are not used in topological sorting. this option
↳ deactivates that.
```

**Note**

Help text automatically generated from `passes/cmds/torder.cc:30`

**trace - redirect command output to file**

```
yosys> help trace
```

```
trace cmd
```

Execute the specified command, logging all changes the command performs on the design in real time.

**Note**

Help text automatically generated from `passes/cmds/trace.cc:63`

**viz - visualize data flow graph**

```
yosys> help viz
```

```
viz [options] [selection]
```

Create a graphviz DOT file for the selected part of the design, showing the relationships between the selected wires, and compile it to a graphics file (usually SVG or PostScript).

- `-viewer <viewer>` Run the specified command with the graphics file as `↪` parameter.  
On Windows, this pauses yosys until the viewer exits.
- `-format <format>` Generate a graphics file in the specified format. Use `↪` 'dot' to just generate a .dot file, or other `<format>` strings such as `↪` 'svg' or 'ps' to generate files in other formats (this calls the 'dot `↪` ' command).
- `-prefix <prefix>` generate `<prefix>.*` instead of `~/yosys_viz.*`
- `-pause` wait for the user to press enter to before returning
- `-nobg` don't run viewer in the background, IE wait for the `↪` viewer tool to exit before returning
- `-set-vg-attr` set their group index as 'vg' attribute on cells and `↪` wires
- `-g <selection>` manually define a group of terminal signals. this group `↪` is not being merged with other terminal groups.
- `-u <selection>` manually define a unique group for each wire in the `↪` selection.
- `-x <selection>` manually exclude wires from being considered. (usually `↪` this is used for global signals, such as reset.)
- `-s <selection>` like -g, but mark group as 'special', changing the `↪` algorithm to preserve as much info about this groups connectivity as `↪` possible.
- `-G <selection_expr> .`
- `-U <selection_expr> .`
- `-X <selection_expr> .`
- `-S <selection_expr>` like -u, -g, -x, and -s, but parse all arguments up to `↪` a terminating . as a single select expression. (see 'help select' for `↪` details)
- `-0, -1, -2, -3, -4` select effort level each level corresponds to an `↪` increasingly more

(continues on next page)

(continued from previous page)

```
aggressive sequence of strategies for merging nodes of
↳the data flow
graph. (default: 9)
```

When no <format> is specified, 'dot' is used. When no <format> and <viewer> is specified, 'xdot' is used to display the schematic (POSIX systems only).

The generated output files are '~/yosys\_viz.dot' and '~/yosys\_viz.<format>', unless another prefix is specified using -prefix <prefix>.

Yosys on Windows and YosysJS use different defaults: The output is written to 'show.dot' in the current directory and new viewer is launched each time the 'show' command is executed.

**Note**

Help text automatically generated from passes/cmds/viz.cc:820

**write\_file - write a text to a file**

```
yosys> help write_file
```

```
write_file [options] output_file [input_file]
```

Write the text from the input file to the output file.

```
-a
```

Append to output file (instead of overwriting)

Inside a script the input file can also can a here-document:

```
write_file hello.txt <<EOT
Hello World!
EOT
```

**Note**

Help text automatically generated from passes/cmds/write\_file.cc:28

**10.1.7 Technology libraries**

Listed in alphabetical order.

**Generic****opensta - run OpenSTA**

```
yosys> help opensta
```

opensta [options]

Expand SDC file with OpenSTA.  
Internal command like abc. Requires a well-formed design.  
For general SDC expansion with OpenSTA, use the sdc\_expand command.

-exe <command> use <command> to run OpenSTA instead of "sta"  
-sdc-in <filename> expand SDC input file <filename>  
-sdc-out <filename> expand SDC file to output file <filename>  
-nocleanup

**Note**

Help text automatically generated from techlibs/common/opensta.cc:11

**prep - generic synthesis script**

yosys> help prep

prep [options]

This command runs a conservative RTL synthesis. A typical application for this is the preparation stage of a verification flow. This command does not operate on partly selected designs.

-top <module> use the specified module as top module (default='top')  
-auto-top automatically determine the top of the design hierarchy  
-flatten flatten the design before synthesis. this will pass '-auto-top' to 'hierarchy' if no top module is specified.  
-ifx passed to 'proc'. uses verilog simulation behavior for verilog if/case undef handling. this also prevents 'wreduce' from being run.  
-memx simulate verilog simulation behavior for out-of-bounds memory accesses using the 'memory\_memx' pass.  
-nomem do not run any of the memory\_\* passes

<code>-rdff</code>	call 'memory_dff'. This enables merging of FFs into memory read ports.
<code>-nokeepdc</code>	do not call <code>opt_*</code> with <code>-keepdc</code>
<code>-run &lt;from_label&gt; [only_rlabels]</code>	<p>execute [only_rlabels] commands between the labels (see below).  ↳ an empty <code>from_label</code> is synonymous to 'begin', and <code>empty to label</code>  ↳ is synonymous to the end of the command list.</p>

The following commands are executed by this synthesis command:

```
begin:
  hierarchy -check [-top <top> | -auto-top]

coarse:
  proc [-ifx]
  flatten (if -flatten)
  future
  opt_expr -keepdc
  opt_clean
  check
  opt -noff -keepdc
  wreduce -keepdc [-memx]
  memory_dff (if -rdff)
  memory_memx (if -memx)
  opt_clean
  memory_collect
  opt -noff -keepdc -fast
  sort

check:
  stat
  check
```

#### Note

Help text automatically generated from `techlibs/common/prep.cc:30`

### `sdc_expand` - expand SDC design with opensta

```
yosys> help sdc_expand
```

```
sdc_expand [options]
```

Expand SDC file with opensta based on arbitrary current design.  
Changes the design but only temporarily.

<code>-exe &lt;command&gt;</code>	use <command> to run OpenSTA instead of "sta"
<code>-sdc-in &lt;filename&gt;</code>	expand SDC file <filename>
<code>-nocleanup</code>	<p>The following commands are executed by this synthesis</p> <pre> ↳command:   design -save pre_expand   proc   memory   write_verilog -norename -noexpr -attr2comment - ↳defparam &lt;tmp_dir&gt;/elaborated.v   read_verilog -setattr whitebox -defer -DSIMLIB_ ↳NOCHECKS +/simlib.v   proc   hierarchy -auto-top   ctype -publish_icells   icell_liberty &lt;tmp_dir&gt;/yosys.lib   opensta -sdc-in &lt;sdc-in&gt; -sdc-out &lt;sdc-out&gt; - ↳verilog &lt;verilog&gt; -liberty &lt;tmp_dir&gt;/yosys.lib - ↳nocleanup   design -load pre_expand </pre>

**Note**

Help text automatically generated from techlibs/common/sdc\_expand.cc:10

**synth - generic synthesis script**

yosys> help synth

synth [options]

This command runs the default synthesis script. This command does not operate on partly selected designs.

<code>-top &lt;module&gt;</code>	use the specified module as top module (default='top')
<code>-auto-top</code>	automatically determine the top of the design hierarchy
<code>-flatten</code>	<p>flatten the design before synthesis. this will pass '-  ↳auto-top' to  'hierarchy' if no top module is specified.</p>
<code>-hieropt</code>	<p>enable hierarchical optimization. this option is useful  ↳when '-flatten'  is not used, or when selected modules are marked with  ↳'keep_hierarchy'</p>

. to prevent their dissolution.

<code>-encfile &lt;file&gt;</code>	passed to 'fsm_recode' via 'fsm'
<code>-lut &lt;k&gt;</code>	perform synthesis for a k-LUT architecture.
<code>-nofsm</code>	do not run FSM optimization
<code>-noabc</code>	do not run abc (as if yosys was compiled without ABC <sub>U</sub> ↳support)
<code>-booth</code>	run the booth pass to map \$mul to Booth encoded <sub>U</sub> ↳multipliers
<code>-arith_tree</code>	run the arith_tree pass to convert \$add/\$sub chains and ↳\$macc cells to carry-save adder trees.
<code>-noalumacc</code>	do not run 'alumacc' pass. i.e. keep arithmetic <sub>U</sub> ↳operators in their direct form (\$add, \$sub, etc.).
<code>-nordff</code>	passed to 'memory'. prohibits merging of FFs into <sub>U</sub> ↳memory read ports
<code>-noshare</code>	do not run SAT-based resource sharing
<code>-run &lt;from_label&gt;</code>	[ <code>to_label</code> ] commands between the labels (see below). <sub>U</sub> ↳an empty from label is synonymous to 'begin', and empty to label <sub>U</sub> ↳is synonymous to the end of the command list.
<code>-abc9</code>	use new ABC9 flow (EXPERIMENTAL)
<code>-flowmap</code>	use FlowMap LUT techmapping instead of ABC
<code>-no-rw-check</code>	marks all recognized read ports as "return don't-care <sub>U</sub> ↳value on read/write collision" (same result as setting the no_rw_ ↳check attribute on all memories).
<code>-extra-map filename</code>	source extra rules from the given file to complement <sub>U</sub> ↳the default mapping library in the `techmap` step. this option can <sub>U</sub> ↳be repeated.

```
-relativeshare use paths relative to share directory for source
                 ↪ locations
                 where possible (experimental).
```

The following commands are executed by this synthesis command:

```
begin:
  hierarchy -check [-top <top> | -auto-top]

coarse:
  proc
  check
  flatten      (if -flatten)
  opt_expr
  opt_clean
  check
  opt -nodffe -nosdff
  fsm          (unless -nofsm)
  opt [-hier]
  wreduce
  peepopt
  opt_clean
  techmap -map +/cmp2lut.v -map +/cmp2lcu.v      (if -lut)
  booth       (if -booth)
  alumacc     (unless -noalumacc)
  arith_tree  (if -arith_tree)
  share       (unless -noshare)
  opt [-hier]
  memory -nomap
  opt_clean

fine:
  opt -fast -full [-hier]
  memory_map
  opt -full
  techmap          (unless -extra-map)
  techmap -map +/techmap.v -map <inject>      (if -extra-map)
  techmap -map +/gate2lut.v      (if -noabc and -lut)
  clean; opt_lut      (if -noabc and -lut)
  flowmap -maxlut K      (if -flowmap and -lut)
  opt -fast [-hier]
  abc              (unless -noabc, unless -lut)
  abc -lut k      (unless -noabc, if -lut)
  opt -fast        (unless -noabc)

check:
  hierarchy -check
  stat
  check
```

**Note**

Help text automatically generated from `techlibs/common/synth.cc:29`

**Achronix****synth\_achronix - synthesis for Achronix Speedster22i FPGAs.**

```
yosys> help synth_achronix
```

```
synth_achronix [options]
```

This command runs synthesis for Achronix Speedster eFPGAs. This work is still experimental.

<code>-top &lt;module&gt;</code>	use the specified module as top module (default='top')
<code>-vout &lt;file&gt;</code>	write the design to the specified Verilog netlist file. ↳ writing of an output file is omitted if this parameter is not specified.
<code>-run &lt;from_label&gt; &lt;to_label&gt;</code>	only the commands between the labels (see below). ↳ an empty from label is synonymous to 'begin', and empty to label is synonymous to the end of the command list.
<code>-noflatten</code>	do not flatten design before synthesis
<code>-retime</code>	run 'abc' with '-dff -D 1' options

The following commands are executed by this synthesis command:

```
begin:
  read_verilog -sv -lib +/achronix/speedster22i/cells_sim.v
  hierarchy -check -top <top>

flatten:  (unless -noflatten)
  proc
  check
  flatten
  tribuf -logic
  deminout

coarse:
  synth -run coarse

fine:
  opt -fast -mux_undef -undriven -fine -full
```

(continues on next page)

(continued from previous page)

```
memory_map
opt -undriven -fine
opt -fine
techmap -map +/techmap.v
opt -full
clean -purge
setundef -undriven -zero
dfflegalize -cell $_DFF_P_ x
abc -markgroups -dff -D 1 (only if -retime)

map_luts:
abc -lut 4
clean

map_cells:
iopadmap -bits -outpad $_outpad I:0 -inpad $_inpad 0:I
techmap -map +/achronix/speedster22i/cells_map.v
clean -purge

check:
hierarchy -check
stat
check -noinit
blackbox =A:whitebox

vout:
write_verilog -nodec -attr2comment -defparam -renameprefix syn_ <file-name>
```

**Note**

Help text automatically generated from `techlibs/achronix/synth_achronix.cc:29`

**Anlogic****anlogic\_eqn - Anlogic: Calculate equations for luts**

```
yosys> help anlogic_eqn
```

```
anlogic_eqn [selection]
```

Calculate equations for luts since bitstream generator depends on it.

**Note**

Help text automatically generated from `techlibs/anlogic/anlogic_eqn.cc:27`

**anlogic\_fixcarry - Anlogic: fix carry chain**

```
yosys> help anlogic_fixcarry
```

```
anlogic_fixcarry [options] [selection]
```

Add Anlogic adders to fix carry chain if needed.

**Note**

Help text automatically generated from `techlibs/anlogic/anlogic_fixcarry.cc:100`

**synth\_anlogic - synthesis for Anlogic FPGAs**

```
yosys> help synth_anlogic
```

```
synth_anlogic [options]
```

This command runs synthesis for Anlogic FPGAs.

<code>-top &lt;module&gt;</code>	use the specified module as top module
<code>-edif &lt;file&gt;</code>	write the design to the specified EDIF file. writing of ↳an output file is omitted if this parameter is not specified.
<code>-json &lt;file&gt;</code>	write the design to the specified JSON file. writing of ↳an output file is omitted if this parameter is not specified.
<code>-run &lt;from_label&gt; &lt;to_label&gt;</code>	only the commands between the labels (see below). ↳an empty from label is synonymous to 'begin', and empty to label ↳is synonymous to the end of the command list.
<code>-noflatten</code>	do not flatten design before synthesis
<code>-retime</code>	run 'abc' with '-dff -D 1' options
<code>-nolutram</code>	do not use EG_LOGIC_DRAM16X4 cells in output netlist
<code>-nobram</code>	do not use EG_PHY_BRAM or EG_PHY_BRAM32K cells in ↳output netlist

The following commands are executed by this synthesis command:

```
begin:
  read_verilog -lib +/anlogic/cells_sim.v +/anlogic/eagle_bb.v
  hierarchy -check -top <top>

flatten:    (unless -noflatten)
  proc
  check
  flatten
  tribuf -logic
  deminout

coarse:
  synth -run coarse

map_ram:
  memory_libmap -lib +/anlogic/lutrams.txt -lib +/anlogic/brams.txt [-no-auto-
↪block] [-no-auto-distributed]    (-no-auto-block if -nobram, -no-auto-distributed_
↪if -nolutram)
  techmap -map +/anlogic/lutrams_map.v -map +/anlogic/brams_map.v

map_ffram:
  opt -fast -mux_undef -undriven -fine
  memory_map
  opt -undriven -fine

map_gates:
  techmap -map +/techmap.v -map +/anlogic/arith_map.v
  opt -fast
  abc -dff -D 1    (only if -retime)

map_ffs:
  dfflegalize -cell $_DFFE_P??P_r -cell $_SDFFE_P??P_r -cell $_DLATCH_N??_r
  techmap -D NO_LUT -map +/anlogic/cells_map.v
  opt_expr -mux_undef
  simplemap

map_luts:
  abc -lut 4:6
  clean

map_cells:
  techmap -map +/anlogic/cells_map.v
  clean

map_anlogic:
  anlogic_fixcarry
  anlogic_eqn

check:
  hierarchy -check
  stat
```

(continues on next page)

(continued from previous page)

```

check -noinit
blackbox =A:whitebox

edif:
  write_edif <file-name>

json:
  write_json <file-name>

```

**Note**

Help text automatically generated from `techlibs/anlogic/synth_anlogic.cc:31`

**CoolRunner-II****coolrunner2\_fixup - insert necessary buffer cells for CoolRunner-II architecture**

```
yosys> help coolrunner2_fixup
```

```
coolrunner2_fixup [options] [selection]
```

Insert necessary buffer cells for CoolRunner-II architecture.

**Note**

Help text automatically generated from `techlibs/coolrunner2/coolrunner2_fixup.cc:114`

**coolrunner2\_sop - break \$sop cells into ANDTERM/ORTERM cells**

```
yosys> help coolrunner2_sop
```

```
coolrunner2_sop [options] [selection]
```

Break \$sop cells into ANDTERM/ORTERM cells.

**Note**

Help text automatically generated from `techlibs/coolrunner2/coolrunner2_sop.cc:27`

**synth\_coolrunner2 - synthesis for Xilinx Coolrunner-II CPLDs**

```
yosys> help synth_coolrunner2
```

```
synth_coolrunner2 [options]
```

This command runs synthesis for Coolrunner-II CPLDs. This work is experimental. It is intended to be used with <https://github.com/azonenberg/openfpga> as the place-and-route.

<code>-top &lt;module&gt;</code>	use the specified module as top module (default='top')
<code>-json &lt;file&gt;</code>	write the design to the specified JSON file. writing of ↳an output file is omitted if this parameter is not specified.
<code>-run &lt;from_label&gt; &lt;to_label&gt;</code>	execute the commands between the labels (see below). ↳an empty from label is synonymous to 'begin', and empty to label ↳is synonymous to the end of the command list.
<code>-noflatten</code>	do not flatten design before synthesis
<code>-retime</code>	run 'abc' with '-dff -D 1' options

The following commands are executed by this synthesis command:

```
begin:
  read_verilog -lib +/coolrunner2/cells_sim.v
  hierarchy -check -top <top>

flatten:    (unless -noflatten)
  proc
  check
  flatten
  tribuf -logic

coarse:
  synth -run coarse

fine:
  extract_counter -dir up -allow_arst no
  techmap -map +/coolrunner2/cells_counter_map.v
  clean
  opt -fast -full
  techmap -map +/techmap.v -map +/coolrunner2/cells_latch.v
  opt -fast
  dfflibmap -prepare -liberty +/coolrunner2/xc2_dff.lib

map_tff:
  abc -g AND,XOR
  clean
  extract -map +/coolrunner2/tff_extract.v

map_pla:
  abc -sop -I 40 -P 56
  clean

map_cells:
  dfflibmap -liberty +/coolrunner2/xc2_dff.lib
```

(continues on next page)

(continued from previous page)

```

dffinit -ff FDCP Q INIT
dffinit -ff FDCP_N Q INIT
dffinit -ff FTCP Q INIT
dffinit -ff FTCP_N Q INIT
dffinit -ff LDCP Q INIT
dffinit -ff LDCP_N Q INIT
coolrunner2_sop
clean
iopadmap -bits -inpad IBUF 0:I -outpad IOBUFE I:IO -inoutpad IOBUFE 0:IO -
↳toutpad IOBUFE E:I:IO -tinoutpad IOBUFE E:0:I:IO
attrmvp -attr src -attr LOC t:IOBUFE n:*
attrmvp -attr src -attr LOC -driven t:IBUF n:*
coolrunner2_fixup
splitnets
clean

check:
  hierarchy -check
  stat
  check -noinit
  blackbox =A:whitebox

json:
  write_json <file-name>

```

**Note**

Help text automatically generated from `techlibs/coolrunner2/synth_coolrunner2.cc:30`

**eASIC****synth\_easic - synthesis for eASIC platform**

```
yosys> help synth_easic
```

```
synth_easic [options]
```

This command runs synthesis for eASIC platform.

`-top <module>` use the specified module as top module

`-vlog <file>` write the design to the specified structural Verilog  
↳file. writing of  
an output file is omitted if this parameter is not  
↳specified.

`-etools <path>` set path to the eTools installation. (default=/opt/  
↳eTools)

<code>-run &lt;from_label&gt; &lt;to_label&gt;</code>	execute the commands between the labels (see below). ↳ an empty from label is synonymous to 'begin', and empty to label ↳ is synonymous to the end of the command list.
<code>-noflatten</code>	do not flatten design before synthesis
<code>-retime</code>	run 'abc' with '-dff -D 1' options

The following commands are executed by this synthesis command:

```
begin:
  read_liberty -lib <etools_phys_clk_lib>
  read_liberty -lib <etools_logic_lut_lib>
  hierarchy -check -top <top>

flatten:      (unless -noflatten)
  proc
  check
  flatten

coarse:
  synth -run coarse

fine:
  opt -fast -mux_undef -undriven -fine
  memory_map
  opt -undriven -fine
  techmap
  opt -fast
  abc -dff -D 1      (only if -retime)
  opt_clean      (only if -retime)

map:
  dfflibmap -liberty <etools_phys_clk_lib>
  abc -liberty <etools_logic_lut_lib>
  opt_clean

check:
  hierarchy -check
  stat
  check -noinit
  blackbox =A:whitebox

vlog:
  write_verilog -noexpr -attr2comment <file-name>
```

#### Note

Help text automatically generated from `techlibs/easic/synth_easic.cc:30`

## FABulous

### synth\_fabulous - FABulous synthesis script

```
yosys> help synth_fabulous
```

```
synth_fabulous [options]
```

This command runs synthesis for FPGA fabrics generated with FABulous. This command  
 ↪ does not operate  
 on partly selected designs.

<code>-top &lt;module&gt;</code>	use the specified module as top module (default='top')
<code>-auto-top</code>	automatically determine the top of the design hierarchy
<code>-blif &lt;file&gt;</code>	write the design to the specified BLIF file. writing of ↪ an output file is omitted if this parameter is not specified.
<code>-edif &lt;file&gt;</code>	write the design to the specified EDIF file. writing of ↪ an output file is omitted if this parameter is not specified.
<code>-json &lt;file&gt;</code>	write the design to the specified JSON file. writing of ↪ an output file is omitted if this parameter is not specified.
<code>-lut &lt;k&gt;</code>	perform synthesis for a k-LUT architecture (default 4).
<code>-vpr</code>	perform synthesis for the FABulous VPR flow (using ↪ slightly different techmapping).
<code>-plib &lt;primitive_library&gt;</code>	use the specified Verilog file as a primitive library.
<code>-extra-plib &lt;primitive_library&gt;</code>	use the specified Verilog file for extra primitives ↪ (can be specified multiple times).
<code>-extra-map &lt;techmap&gt;</code>	use the specified Verilog file for extra techmap rules ↪ (can be specified multiple times).
<code>-encfile &lt;file&gt;</code>	passed to 'fsm_recode' via 'fsm'
<code>-nofsm</code>	do not run FSM optimization
<code>-noalumacc</code>	do not run 'alumacc' pass. i.e. keep arithmetic ↪ operators in their direct form (\$add, \$sub, etc.).

<code>-carry &lt;none ha&gt;</code>	carry mapping style (none, half-adders, ...)␣ ↳default=none
<code>-noregfile</code>	do not map register files
<code>-iopad</code>	enable automatic insertion of IO buffers (otherwise a␣ ↳wrapper with manually inserted and constrained IO should be␣ ↳used.)
<code>-complex-dff</code>	enable support for FFs with enable and synchronous SR␣ ↳(must also be supported by the target fabric.)
<code>-noflatten</code>	do not flatten design after elaboration
<code>-nordff</code>	passed to 'memory'. prohibits merging of FFs into␣ ↳memory read ports
<code>-noshare</code>	do not run SAT-based resource sharing
<code>-run &lt;from_label&gt;</code>	[ <del>only for labels</del> ] commands between the labels (see below).␣ ↳an empty from label is synonymous to 'begin', and empty to label␣ ↳is synonymous to the end of the command list.
<code>-no-rw-check</code>	marks all recognized read ports as "return don't-care␣ ↳value on read/write collision" (same result as setting the no_rw_ ↳check attribute on all memories).

```

The following commands are executed by this synthesis command:
  read_verilog -lib +/fabulous/prims.v
  read_verilog -lib <extra_plib.v>    (for each -extra-plib)

begin:
  hierarchy -check
  proc

flatten:    (unless -noflatten)
  check
  flatten
  tribuf -logic
  deminout

coarse:
  tribuf -logic
  deminout

```

(continues on next page)

(continued from previous page)

```

opt_expr
opt_clean
check
opt -nodffe -nosdff
fsm      (unless -nofsm)
opt
wreduce
peepopt
opt_clean
techmap -map +/cmp2lut.v -map +/cmp2lcu.v      (if -lut)
alumacc  (unless -noalumacc)
share    (unless -noshare)
opt
memory -nomap
opt_clean

map_ram:  (unless -noregfile)
memory_libmap -lib +/fabulous/ram_regfile.txt
techmap -map +/fabulous/regfile_map.v

map_ffram:
opt -fast -mux_undef -undriven -fine
memory_map
opt -undriven -fine

map_gates:
opt -full
techmap -map +/techmap.v -map +/fabulous/arith_map.v -D ARITH_<carry>
opt -fast

map_iopad:  (if -iopad)
opt -full
iopadmap -bits -outpad $_FABULOUS_OBUF I:PAD -inpad $_FABULOUS_IBUF O:PAD
↪-toutpad IO_1_bidirectional_frame_config_pass ~T:I:PAD -tinoutpad IO_1_
↪bidirectional_frame_config_pass ~T:O:I:PAD A:top      (skip if '-noiopad')
techmap -map +/fabulous/io_map.v

map_ffs:
dfflegalize -cell $_DFF_P_0 -cell $_DLATCH_?_x      without -complex-dff
techmap -map +/fabulous/latches_map.v
techmap -map +/fabulous/ff_map.v
techmap -map <extra_map.v>...      (for each -extra-map)
clean

map_luts:
abc -lut 4 -dress
clean

map_cells:
techmap -D LUT_K=4 -map +/fabulous/cells_map.v
clean

```

(continues on next page)

(continued from previous page)

```

check:
  hierarchy -check
  stat

blif:
  opt_clean -purge
  write_blif -attr -cname -conn -param <file-name>

json:
  write_json <file-name>

```

**Note**

Help text automatically generated from `techlibs/fabulous/synth_fabulous.cc:30`

**Gatamate****gatamate\_foldinv - fold inverters into Gatamate LUT trees**

```
yosys> help gatamate_foldinv
```

```
gatamate_foldinv [selection]
```

This pass searches for `$_CC_NOT` cells and folds them into `CC_LUT2`, `CC_L2T4` and `CC_L2T5` cells as created by LUT tree mapping.

**Note**

Help text automatically generated from `techlibs/gatamate/gatamate_foldinv.cc:191`

**synth\_gatamate - synthesis for Cologne Chip GateMate FPGAs**

```
yosys> help synth_gatamate
```

```
synth_gatamate [options]
```

This command runs synthesis for Cologne Chip AG GateMate FPGAs.

<code>-top &lt;module&gt;</code>	use the specified module as top module.
<code>-vlog &lt;file&gt;</code>	write the design to the specified verilog file. Writing of an output file is omitted if this parameter is not specified.
<code>-json &lt;file&gt;</code>	write the design to the specified JSON file. Writing of an output file is omitted if this parameter is not specified.

<code>-run &lt;from_label&gt; &lt;to_label&gt;</code>	execute the commands between the labels (see below). ↪ An empty from label is synonymous to 'begin', and empty to label is synonymous to the end of the command list.
<code>-noflatten</code>	do not flatten design before synthesis.
<code>-scopename</code>	create 'scopename' attributes when flattening the netlist.
<code>-nobram</code>	do not use CC_BRAM_20K or CC_BRAM_40K cells in output netlist.
<code>-noaddf</code>	do not use CC_ADDF full adder cells in output netlist.
<code>-nomult</code>	do not use CC_MULT multiplier cells in output netlist.
<code>-nomx8, -nomx4</code>	do not use CC_MX{8,4} multiplexer cells in output netlist.
<code>-luttree</code>	use LUT tree mapping for output to nextpnr. Do not use this if targeting legacy p_r.
<code>-dff</code>	run 'abc' with -dff option
<code>-retime</code>	run 'abc' with '-dff -D 1' options
<code>-abc_new</code>	use 'abc_new' instead of 'abc' for mapping. ↪ (EXPERIMENTAL)
<code>-noiopad</code>	disable I/O buffer insertion (useful for hierarchical or out-of-context flows).
<code>-noclkbuf</code>	disable automatic clock buffer insertion.

The following commands are executed by this synthesis command:

```
begin:
  read_verilog -lib -specify +/gatemate/cells_sim.v +/gatemate/cells_bb.v
  hierarchy -check -top <top>

prepare:
  proc
  check
  flatten
  tribuf -logic
  deminout
```

(continues on next page)

(continued from previous page)

```

opt_expr
opt_clean
check
opt -nodffe -nosdff
fsm
opt
wreduce
peepopt
opt_clean
muxpack
share
techmap -map +/cmp2lut.v -D LUT_WIDTH=4
opt_expr
opt_clean

map_mult:    (skip if '-nomult')
             techmap -map +/gatemate/mul_map.v

coarse:
  alumacc
  opt
  memory -nomap
  opt_clean

map_bram:    (skip if '-nobram')
             memory_libmap -lib +/gatemate/brams.txt
             techmap -map +/gatemate/brams_map.v

map_ffram:
  opt -fast -mux_undef -undriven -fine
  memory_map
  opt -undriven -fine

map_gates:
  techmap -map +/techmap.v -map +/gatemate/arith_map.v
  opt -fast

map_io:      (skip if '-noiopad')
             iopadmap -bits -inpad CC_IBUF Y:I -outpad CC_OBUF A:0 -toutpad CC_TOBUF ~T:A:0 -
             ↪tinoutpad CC_IOBUF ~T:Y:A:IO
             clean

map_regs:
  opt_clean
  dfflegalize -cell $_DFFE_????_ 01 -cell $_DLATCH_???_ 01
  techmap -map +/gatemate/reg_map.v
  opt_expr -mux_undef
  simplemap
  opt_clean

map_muxs:
  muxcover -mux4 -mux8

```

(continues on next page)

(continued from previous page)

```

opt -full
simplemap
techmap -map +/gatamate/mux_map.v

map_luts:
  abc -genlib +/gatamate/lut_tree_cells.genlib    (with -luttree, without -abc_
↪new)
  techmap -map +/gatamate/lut_tree_map.v    (with -luttree)
  gatamate_foldinv    (with -luttree)
  techmap -map +/gatamate/inv_map.v    (with -luttree)
  abc -dress -lut 4    (without -luttree)
  clean

map_cells:
  techmap -map +/gatamate/lut_map.v
  clean

map_bufg:    (skip if '-noclkbuf')
  clkbufmap -buf CC_BUF0 0:I
  clean

check:
  hierarchy -check
  stat -width
  check -noinit
  blackbox =A:whitebox

vlog:
  opt_clean -purge
  write_verilog -noattr <file-name>

json:
  write_json <file-name>

```

**Note**

Help text automatically generated from `techlibs/gatamate/synth_gatamate.cc:30`

**Gowin****synth\_gowin - synthesis for Gowin FPGAs**

```
yosys> help synth_gowin
```

```
synth_gowin [options]
```

This command runs synthesis for Gowin FPGAs. This work is experimental.

```
-top <module>
```

use the specified module as top module (default='top')

-vout <file>	write the design to the specified Verilog netlist file.␣ ↳writing of an output file is omitted if this parameter is not␣ ↳specified.
-json <file>	write the design to the specified JSON netlist file.␣ ↳writing of an output file is omitted if this parameter is not␣ ↳specified. This disables features not yet supported by nexpr- ↳gowin.
-run <from_label> <to_label>	run the commands between the labels (see below).␣ ↳an empty from label is synonymous to 'begin', and empty to label␣ ↳is synonymous to the end of the command list.
-nodffe	do not use flipflops with CE in output netlist
-strict-gw5a-dffs	use only DFFSE/DFFRE/DFFPE/DFFCE flipflops for the GW5A␣ ↳family
-nobram	do not use BRAM cells in output netlist
-nolutram	do not use distributed RAM cells in output netlist
-noflatten	do not flatten design before synthesis
-retime	run 'abc' with '-dff -D 1' options
-nowidelut	do not use muxes to implement LUTs larger than LUT4s
-noiopads	do not emit IOB at top level ports
-noalu	do not use ALU cells
-noabc9	disable use of new ABC9 flow
-no-rw-check	marks all recognized read ports as "return don't-care␣ ↳value on read/write collision" (same result as setting the no_rw_ ↳check attribute on all memories).
-family <family>	sets the gowin family to the specified value. The␣ ↳default is 'gwin'. The following families are supported: 'gwin', 'gw2a', 'gw5a'.

<code>-setundef</code>	set undriven wires and parameters to zero
<code>-nodsp</code>	do not infer DSP multipliers

The following commands are executed by this synthesis command:

```
begin:
  read_verilog -specify -lib +/gowin/cells_sim.v
  read_verilog -specify -lib +/gowin/cells_xtra_<family>.v
  hierarchy -check -top <top>

coarse:
  proc
  check
  flatten (unless -noflatten)
  tribuf -logic
  deminout
  opt_expr
  opt_clean
  check
  opt -nodffe -nosdff
  fsm
  opt
  wreduce
  peepopt
  opt_clean
  share
  techmap -map +/mul2dsp.v [...] (unless -nodsp and if -family gw1n or gw2a)
  techmap -map +/gowin/dsp_map.v (unless -nodsp and if -family gw1n or gw2a)
  alumacc
  opt
  memory -nomap [-no-rw-check]
  opt_clean

map_ram:
  memory_libmap -lib +/gowin/lutrams.txt -lib +/gowin/brams.txt [-no-auto-block]
  ↔ [-no-auto-distributed] (-no-auto-block if -nobram, -no-auto-distributed if -
  ↔ nolutram)
  techmap -map +/gowin/lutrams_map.v -map +/gowin/brams_map.v

map_ffram:
  opt -fast -mux_undef -undriven -fine
  memory_map
  opt -undriven -fine

map_gates:
  techmap -map +/techmap.v -map +/gowin/arith_map.v
  opt -fast
  abc -dff -D 1 (only if -retime)
  iopadmap -bits -inpad IBUF 0:I -outpad OBUF I:0 -toutpad TBUF ~OEN:I:0 -
  ↔ tinoutpad IOBUF ~OEN:0:I:IO (unless -noiopads)
```

(continues on next page)

(continued from previous page)

```

map_ffs:
  opt_clean
  dfflegalize -cell $_DFF?_0 -cell $_DFFE?P_0 -cell $_SDFP?P?_r -cell $_
↪SDFFE?P?P_r -cell $_DFF?P?_r -cell $_DFFE?P?P_r -cell $_DLATCH?_x -cell $_
↪DLATCH?P?_x
  techmap -map +/gowin/cells_map.v
  techmap -map +/gowin/cells_latch.v
  opt_expr -mux_undef
  simplemap

map_luts:
  sort
  read_verilog -icells -lib -specify +/abc9_model.v
  abc9 -maxlut 8 -W 500
  clean

map_cells:
  techmap -map +/gowin/cells_map.v
  opt_lut_ins -tech gowin
  setundef -undriven -params -zero      (only if -setundef)
  hilomap -singleton -hicell VCC V -locell GND G
  splitnets -ports      (only if -vout)
  clean
  autaname

check:
  hierarchy -check
  stat
  check -noinit
  blackbox =A:whitebox

vout:
  write_verilog -simple-lhs -decimal -attr2comment -defparam -renameprefix gen
↪<file-name>
  write_json <file-name>

```

**Note**

Help text automatically generated from `techlibs/gowin/synth_gowin.cc:30`

**GreenPAK4****greenpak4\_dffinv - merge greenpak4 inverters and DFF/latches**

```
yosys> help greenpak4_dffinv
```

```
greenpak4_dffinv [options] [selection]
```

Merge GP\_INV cells with GP\_DFF\* and GP\_DLATCH\* cells.

**Note**

Help text automatically generated from `techlibs/greenpak4/greenpak4_dffinv.cc:93`

**rmports - remove module ports with no connections**

```
yosys> help rmports
```

```
rmports [selection]
```

This pass identifies ports in the selected modules which are not used or driven and removes them.

**Note**

Help text automatically generated from `passes/opt/rmports.cc:28`

**synth\_greenpak4 - synthesis for GreenPAK4 FPGAs**

```
yosys> help synth_greenpak4
```

```
synth_greenpak4 [options]
```

This command runs synthesis for GreenPAK4 FPGAs. This work is experimental. It is intended to be used with <https://github.com/azonenberg/openfpga> as the place-and-route.

<code>-top &lt;module&gt;</code>	use the specified module as top module (default='top')
<code>-part &lt;part&gt;</code>	synthesize for the specified part. Valid values are <code>SLG46140V</code> , <code>SLG46620V</code> , and <code>SLG46621V</code> (default).
<code>-json &lt;file&gt;</code>	write the design to the specified JSON file. writing of an output file is omitted if this parameter is not specified.
<code>-run &lt;from_label&gt; &lt;to_label&gt;</code>	only the commands between the labels (see below). an empty from label is synonymous to 'begin', and empty to label is synonymous to the end of the command list.
<code>-noflatten</code>	do not flatten design before synthesis
<code>-retime</code>	run 'abc' with '-dff -D 1' options

The following commands are executed by this synthesis command:

```

begin:
  read_verilog -lib +/greenpak4/cells_sim.v
  hierarchy -check -top <top>

flatten:    (unless -noflatten)
  proc
  check
  flatten
  tribuf -logic

coarse:
  synth -run coarse

fine:
  extract_counter -pout GP_DCMP,GP_DAC -maxwidth 14
  clean
  opt -fast -mux_undef -undriven -fine
  memory_map
  opt -undriven -fine
  techmap -map +/techmap.v -map +/greenpak4/cells_latch.v
  dfflibmap -prepare -liberty +/greenpak4/gp_dff.lib
  opt -fast -noclkinv -noff
  abc -dff -D 1    (only if -retime)

map_luts:
  nlutmap -assert -luts 0,6,8,2    (for -part SLG46140V)
  nlutmap -assert -luts 2,8,16,2   (for -part SLG46620V)
  nlutmap -assert -luts 2,8,16,2   (for -part SLG46621V)
  clean

map_cells:
  shregmap -tech greenpak4
  dfflibmap -liberty +/greenpak4/gp_dff.lib
  dffinit -ff GP_DFF Q INIT
  dffinit -ff GP_DFFR Q INIT
  dffinit -ff GP_DFFS Q INIT
  dffinit -ff GP_DFFSR Q INIT
  iopadmap -bits -inpad GP_IBUF OUT:IN -outpad GP_OBUF IN:OUT -inoutpad GP_OBUF
↪OUT:IN -toutpad GP_OBUFT OE:IN:OUT -tinoutpad GP_IOBUF OE:OUT:IN:IO
  attrmvp -attr src -attr LOC t:GP_OBUF t:GP_OBUFT t:GP_IOBUF n:*
  attrmvp -attr src -attr LOC -driven t:GP_IBUF n:*
  techmap -map +/greenpak4/cells_map.v
  greenpak4_dffinv
  clean

check:
  hierarchy -check
  stat
  check -noinit
  blackbox =A:whitebox

json:
  write_json <file-name>

```

**Note**

Help text automatically generated from `techlibs/greenpak4/synth_greenpak4.cc:30`

**iCE40****ice40\_braminit - iCE40: perform SB\_RAM40\_4K initialization from file**

```
yosys> help ice40_braminit
```

```
ice40_braminit
```

This command processes all SB\_RAM40\_4K blocks with a non-empty INIT\_FILE parameter and converts it into the required INIT\_x attributes

**Note**

Help text automatically generated from `techlibs/ice40/ice40_braminit.cc:130`

**ice40\_dsp - iCE40: map multipliers**

```
yosys> help ice40_dsp
```

```
ice40_dsp [options] [selection]
```

Map multipliers (`$mul/SB_MAC16`) and multiply-accumulate (`$mul/SB_MAC16 + $add`) cells into iCE40 DSP resources.

Currently, only the 16x16 multiply mode is supported and not the 2 x 8x8 mode.

Pack input registers (A, B, {C,D}; with optional hold), pipeline registers ({F,J,K,G}, H), output registers (O -- full 32-bits or lower 16-bits only; with optional hold), and post-adder into the SB\_MAC16 resource.

Multiply-accumulate operations using the post-adder with feedback on the {C,D} input will be folded into the DSP. In this scenario only, resetting the the accumulator to an arbitrary value can be inferred to use the {C,D} input.

**Note**

Help text automatically generated from `techlibs/ice40/ice40_dsp.cc:279`

**ice40\_opt - iCE40: perform simple optimizations**

```
yosys> help ice40_opt
```

```
ice40_opt [options] [selection]
```

This command executes the following script:

```
do
```

(continues on next page)

(continued from previous page)

```

<ice40 specific optimizations>
opt_expr -mux_undef -undriven [-full]
opt_merge
opt_dff
opt_clean
while <changed design>

```

**Note**

Help text automatically generated from `techlibs/ice40/ice40_opt.cc:205`

**ice40\_wrapcarry - iCE40: wrap carries**

```
yosys> help ice40_wrapcarry
```

```
ice40_wrapcarry [selection]
```

Wrap manually instantiated SB\_CARRY cells, along with their associated SB\_LUT4s, into an internal `$_ICE40_CARRY_WRAPPER` cell for preservation across technology mapping.

Attributes on both cells will have their names prefixed with 'SB\_CARRY.' or 'SB\_LUT4.' and attached to the wrapping cell.

A (\* keep \*) attribute on either cell will be logically OR-ed together.

```
-unwrap
```

```
unwrap $_ICE40_CARRY_WRAPPER cells back into SB_CARRYs
↳and SB_LUT4s,
including restoring their attributes.
```

**Note**

Help text automatically generated from `techlibs/ice40/ice40_wrapcarry.cc:74`

**synth\_ice40 - synthesis for iCE40 FPGAs**

```
yosys> help synth_ice40
```

```
synth_ice40 [options]
```

This command runs synthesis for iCE40 FPGAs.

```
-device < hx | lp > relevant only for '-abc9' flow, optimise timing for the
↳specified
device. default: hx
```

```
-top <module>
```

```
use the specified module as top module
```

<code>-blif &lt;file&gt;</code>	write the design to the specified BLIF file. writing of ↳an output file is omitted if this parameter is not specified.
<code>-edif &lt;file&gt;</code>	write the design to the specified EDIF file. writing of ↳an output file is omitted if this parameter is not specified.
<code>-json &lt;file&gt;</code>	write the design to the specified JSON file. writing of ↳an output file is omitted if this parameter is not specified.
<code>-run &lt;from_label&gt; &lt;to_label&gt;</code>	run the commands between the labels (see below). ↳an empty from label is synonymous to 'begin', and empty to label ↳is synonymous to the end of the command list.
<code>-noflatten</code>	do not flatten design before synthesis
<code>-dff</code>	run 'abc'/'abc9' with -dff option
<code>-retime</code>	run 'abc' with '-dff -D 1' options
<code>-nocarry</code>	do not use SB_CARRY cells in output netlist
<code>-nodffe</code>	do not use SB_DFFE* cells in output netlist
<code>-dffe_min_ce_use</code>	do not use SB_DFFE* cells if the resulting CE line ↳would go to less than min_ce_use SB_DFFE* in output netlist
<code>-nobram</code>	do not use SB_RAM40_4K* cells in output netlist
<code>-spram</code>	enable automatic inference of SB_SPRAM256KA
<code>-dsp</code>	use iCE40 UltraPlus DSP cells for large arithmetic
<code>-noabc</code>	use built-in Yosys LUT techmapping instead of abc
<code>-abc2</code>	run two passes of 'abc' for slightly improved logic ↳density
<code>-vpr</code>	generate an output netlist (and BLIF file) suitable for ↳VPR (this feature is experimental and incomplete)

<code>-noabc9</code>	disable use of new ABC9 flow
<code>-flowmap</code>	use FlowMap LUT techmapping instead of abc <sub>9</sub> ↪(EXPERIMENTAL)
<code>-no-rw-check</code>	marks all recognized read ports as "return don't-care <sub>9</sub> ↪value on read/write collision" (same result as setting the no_rw_ ↪check attribute on all memories).

The following commands are executed by this synthesis command:

```
begin:
  read_verilog -D ICE40_HX -lib -specify +/ice40/cells_sim.v
  hierarchy -check -top <top>
  proc

flatten:    (unless -noflatten)
  check
  flatten
  tribuf -logic
  deminout

coarse:
  opt_expr
  opt_clean
  check
  opt -nodffe -nosdff
  fsm
  opt
  wreduce
  peepopt
  opt_clean
  share
  techmap -map +/cmp2lut.v -D LUT_WIDTH=4
  opt_expr
  opt_clean
  memory_dff [-no-rw-check]
  wreduce t:$mul
  techmap -map +/mul2dsp.v -map +/ice40/dsp_map.v -D DSP_A_MAXWIDTH=16 -D DSP_B_
↪MAXWIDTH=16 -D DSP_A_MINWIDTH=2 -D DSP_B_MINWIDTH=2 -D DSP_Y_MINWIDTH=11 -D DSP_
↪NAME=$_MUL16X16    (if -dsp)
  select a:mul2dsp                (if -dsp)
  setattr -unset mul2dsp          (if -dsp)
  opt_expr -fine                  (if -dsp)
  wreduce                         (if -dsp)
  select -clear                   (if -dsp)
  ice40_dsp                       (if -dsp)
  chtype -set $mul t:$__soft_mul  (if -dsp)
  alumacc
  opt
```

(continues on next page)

(continued from previous page)

```

memory -nomap [-no-rw-check]
opt_clean

map_ram:
memory_libmap -lib +/ice40/brams.txt -lib +/ice40/spram.txt [-no-auto-huge] [-
↪no-auto-block] (-no-auto-huge unless -spram, -no-auto-block if -nobram)
techmap -map +/ice40/brams_map.v -map +/ice40/spram_map.v
ice40_braminit

map_ffram:
opt -fast -mux_undef -undriven -fine
memory_map
opt -undriven -fine

map_gates:
ice40_wrapcarry
techmap -map +/techmap.v -map +/ice40/arith_map.v
opt -fast
abc -dff -D 1 (only if -retime)
ice40_opt

map_ffs:
dfflegalize -cell $_DFF?_0 -cell $_DFFE?P_0 -cell $_DFF?P?_0 -cell $_DFFE_
↪?P?P_0 -cell $_SDFF?P?_0 -cell $_SDFFCE?P?P_0 -cell $_DLATCH?_ x -mince -1
techmap -map +/ice40/ff_map.v
opt_expr -mux_undef
simplemap
ice40_opt -full

map_luts:
abc (only if -abc2)
ice40_opt (only if -abc2)
techmap -map +/ice40/latches_map.v
simplemap (if -noabc or -flowmap)
techmap -map +/gate2lut.v -D LUT_WIDTH=4 (only if -noabc)
flowmap -maxlut 4 (only if -flowmap)
read_verilog -D ICE40_HX -icells -lib -specify +/ice40/abc9_model.v
abc9 -W 250
ice40_wrapcarry -unwrap
techmap -map +/ice40/ff_map.v
clean
opt_lut -tech ice40

map_cells:
techmap -map +/ice40/cells_map.v (skip if -vpr)
clean

check:
autoname
hierarchy -check
stat
check -noinit

```

(continues on next page)



<code>-vpr &lt;file&gt;</code>	write BLIF files for VPR flow experiments. The ↳ synthesized BLIF output file is not compatible with the Quartus flow. Writing ↳ of an output file is omitted if this parameter is not ↳ specified.
<code>-run &lt;from_label&gt; &lt;to_label&gt;</code>	run the commands between the labels (see below). ↳ an empty from label is synonymous to 'begin', and empty to label ↳ is synonymous to the end of the command list.
<code>-dff</code>	pass DFFs to ABC to perform sequential logic ↳ optimisations (EXPERIMENTAL)
<code>-iopads</code>	use IO pad cells in output netlist
<code>-nobram</code>	do not use block RAM cells in output netlist
<code>-nodsp</code>	do not map multipliers to MUL18/MUL9 cells
<code>-noflatten</code>	do not flatten design before synthesis
<code>-retime</code>	run 'abc' with '-dff -D 1' options

The following commands are executed by this synthesis command:

```
begin:

family:
  read_verilog -sv -lib +/intel/max10/cells_sim.v
  read_verilog -sv -lib +/intel/common/m9k_bb.v
  read_verilog -sv -lib +/intel/common/altpll_bb.v
  hierarchy -check -top <top>

coarse:
  proc
  check
  flatten (skip if -noflatten)
  tribuf -logic
  deminout
  opt_expr
  opt_clean
  check
  opt -nodffe -nosdff
  fsm
  opt
  wreduce
```

(continues on next page)

(continued from previous page)

```

peepopt
opt_clean
techmap -map +/cmp2lut.v -D LUT_WIDTH=4
opt_expr
opt_clean
techmap -map +mul2dsp.v [...]    (unless -nodsp)
opt
memory -nomap
opt_clean

map_bram:    (skip if -nobram)
memory_bram -rules +/intel/common/brams_m9k.txt    (if applicable for family)
techmap -map +/intel/common/brams_map_m9k.v    (if applicable for family)

map_ffram:
opt -fast -mux_undef -undriven -fine -full
memory_map
opt -undriven -fine
techmap -map +/techmap.v
opt -full
clean -purge
setundef -undriven -zero
abc -markgroups -dff -D 1    (only if -retime)

map_ffs:
dfflegalize -cell $_DFFE_PNOP_ 01
techmap -map +/intel/common/ff_map.v

map_luts:
abc9 -lut 4 -W 300
clean
opt -fast
autoname
clean

map_cells:
iopadmap -bits -outpad $_outpad I:0 -inpad $_inpad 0:I    (if -iopads)
techmap -map +/intel/max10/cells_map.v
clean -purge

check:
hierarchy -check
stat
check -noinit
blackbox =A:whitebox

vqm:
write_verilog -attr2comment -defparam -nohex -decimal -renameprefix syn_ <file-
↵name>

vpr:
opt_clean -purge

```

(continues on next page)

(continued from previous page)

```
write_blif <file-name>
```

**Note**

Help text automatically generated from `techlibs/intel/synth_intel.cc:30`

**Intel ALM (Cyclone V, Arria V, Cyclone 10 GX)****synth\_intel\_alm - synthesis for ALM-based Intel (Altera) FPGAs.**

```
yosys> help synth_intel_alm
```

```
synth_intel_alm [options]
```

This command runs synthesis for ALM-based Intel FPGAs.

<code>-top &lt;module&gt;</code>	use the specified module as top module
<code>-family &lt;family&gt;</code>	target one of: "cyclonev" - Cyclone V (default)
<code>-noflatten</code>	do not flatten design before synthesis; useful for per- ↳module area statistics
<code>-dff</code>	pass DFFs to ABC to perform sequential logic,↳ ↳optimisations (EXPERIMENTAL)
<code>-run &lt;from_label&gt; &lt;to_label&gt;</code>	only the commands between the labels (see below).↳ ↳an empty from label is synonymous to 'begin', and empty to label.↳ ↳is synonymous to the end of the command list.
<code>-nolutram</code>	do not use LUT RAM cells in output netlist
<code>-nobram</code>	do not use block RAM cells in output netlist
<code>-nodsp</code>	do not map multipliers to MISTRAL_MUL cells
<code>-noiopad</code>	do not instantiate IO buffers
<code>-noclkbuf</code>	do not insert global clock buffers

The following commands are executed by this synthesis command:

```

begin:
  read_verilog -specify -lib -D <family> +/intel_alm/common/alm_sim.v
  read_verilog -specify -lib -D <family> +/intel_alm/common/dff_sim.v
  read_verilog -specify -lib -D <family> +/intel_alm/common/dsp_sim.v
  read_verilog -specify -lib -D <family> +/intel_alm/common/mem_sim.v
  read_verilog -specify -lib -D <family> +/intel_alm/common/misc_sim.v
  read_verilog -specify -lib -D <family> -icells +/intel_alm/common/abc9_model.v
  read_verilog -lib +/intel/common/altpll_bb.v
  read_verilog -lib +/intel_alm/common/megafunction_bb.v
  hierarchy -check -top <top>

coarse:
  proc
  check
  flatten (skip if -noflatten)
  tribuf -logic
  deminout
  opt_expr
  opt_clean
  check
  opt -nodffe -nosdff
  fsm
  opt
  wreduce
  peepopt
  opt_clean
  share
  techmap -map +/cmp2lut.v -D LUT_WIDTH=6
  opt_expr
  opt_clean
  techmap -map +/mul2dsp.v [...] (unless -nodsp)
  alumacc
  iopadmap -bits -outpad MISTRAL_OB I:PAD -inpad MISTRAL_IB O:PAD -toutpad
↳MISTRAL_IO OE:O:PAD -tinoutpad MISTRAL_IO OE:O:I:PAD A:top (unless -noiopad)
  techmap -map +/intel_alm/common/arith_alm_map.v -map +/intel_alm/common/dsp_map.v
↳v
  opt
  memory -nomap
  opt_clean

map_bram: (skip if -nobram)
  memory_bram -rules +/intel_alm/common/bram_<bram_type>.txt
  techmap -map +/intel_alm/common/bram_<bram_type>_map.v

map_lutram: (skip if -nolutram)
  memory_bram -rules +/intel_alm/common/lutram_mlab.txt (for Cyclone V)

map_ffram:
  memory_map
  opt -full

map_ffs:

```

(continues on next page)

(continued from previous page)

```

techmap
dfflegalize -cell $_DFFE_PNOP_0 -cell $_SDFACE_PPOP_0
techmap -map +/intel_alm/common/dff_map.v
opt -full -undriven -mux_undef
clean -purge
clkbufmap -buf MISTRAL_CLKBUF Q:A      (unless -noclkbuf)

map_luts:
techmap -map +/intel_alm/common/abc9_map.v
abc9 [-dff] -maxlut 6 -W 600
techmap -map +/intel_alm/common/abc9_unmap.v
techmap -map +/intel_alm/common/alm_map.v
opt -fast
autoname
clean

check:
hierarchy -check
stat
check
blackbox =A:whitebox

```

**Note**

Help text automatically generated from `techlibs/intel_alm/synth_intel_alm.cc:30`

**Lattice****lattice\_dsp\_nexus - Lattice Nexus DSP inference**

```
yosys> help lattice_dsp_nexus
```

```
lattice_dsp_nexus [options] [selection]
```

Infer Lattice Nexus sysDSP macrocells (MULTADDSUB18X18, MULTPREADD18X18, MULTADDSUB9X9WIDE) from MAC and dot-product patterns.

**Note**

Help text automatically generated from `techlibs/lattice/lattice_dsp_nexus.cc:10`

**lattice\_gsr - Lattice: handle GSR**

```
yosys> help lattice_gsr
```

```
lattice_gsr [options] [selection]
```

Trim active low async resets connected to GSR and resolve GSR parameter, if a GSR or SGSR primitive is used in the design.

(continues on next page)

(continued from previous page)

If any cell has the GSR parameter set to "AUTO", this will be resolved to "ENABLED" if a GSR primitive is present and the (\* nogsr \*) attribute is not set, otherwise it will be resolved to "DISABLED".

**Note**

Help text automatically generated from techlibs/lattice/lattice\_gsr.cc:28

**synth\_ecp5 - synthesis for ECP5 FPGAs**

```
yosys> help synth_ecp5
```

```
synth_ecp5 [options]
```

This command runs synthesis for ECP5 FPGAs.

This is a wrapper pass, for details take a look at help message for synth\_lattice.

**Note**

Help text automatically generated from techlibs/lattice/synth\_lattice.cc:629

**synth\_lattice - synthesis for Lattice FPGAs**

```
yosys> help synth_lattice
```

```
synth_lattice [options]
```

This command runs synthesis for Lattice FPGAs (excluding iCE40).

```
-top <module> use the specified module as top module
```

```
-family <family> run synthesis for the specified Lattice architecture
generate the synthesis netlist for the specified family.
supported values:
- ecp5: ECP5
- xo2: MachX02
- xo3: MachX03L/LF
- xo3d: MachX03D
- lifcl: CrossLink-NX
- lfd2nx: Certus-NX
```

```
-edif <file> write the design to the specified EDIF file. writing of
↳an output file
is omitted if this parameter is not specified.
```

<code>-json &lt;file&gt;</code>	write the design to the specified JSON file. writing of ↳an output file is omitted if this parameter is not specified.
<code>-run &lt;from_label&gt; &lt;to_label&gt;</code>	only the commands between the labels (see below). ↳an empty from label is synonymous to 'begin', and empty to label ↳is synonymous to the end of the command list.
<code>-noflatten</code>	do not flatten design before synthesis
<code>-dff</code>	run 'abc'/'abc9' with -dff option
<code>-retime</code>	run 'abc' with '-dff -D 1' options
<code>-noccu2</code>	do not use CCU2 cells in output netlist
<code>-nodffe</code>	do not use flipflops with CE in output netlist
<code>-nobram</code>	do not use block RAM cells in output netlist
<code>-nolutram</code>	do not use LUT RAM cells in output netlist
<code>-nowidelut</code>	do not use PFU muxes to implement LUTs larger than LUT4s (by default enabled on MachX02/X03/X03D)
<code>-widelut</code>	force use of PFU muxes to implement LUTs larger than ↳LUT4s
<code>-asyncprld</code>	use async PRLD mode to implement ALDFF (EXPERIMENTAL)
<code>-abc2</code>	run two passes of 'abc' for slightly improved logic ↳density
<code>-noabc9</code>	disable use of new ABC9 flow
<code>-iopad</code>	insert IO buffers (by default enabled on Nexus FPGAs)
<code>-noiopad</code>	do not insert IO buffers
<code>-nodsp</code>	do not infer DSP multipliers
<code>-no-rw-check</code>	marks all recognized read ports as "return don't-care ↳value on read/write collision" (same result as setting the no_rw_ ↳check attribute on all memories).

`-cmp2softlogic`

```
implement constant comparisons in soft logic, do not
↳involve
hard carry chains
```

The following commands are executed by this synthesis command:

```
begin:
  read_verilog -lib -specify +/lattice/cells_sim.v +/lattice/cells_bb.v
  hierarchy -check -top <top>

coarse:
  proc
  check
  flatten
  tribuf -logic
  deminout
  opt_expr
  opt_clean
  check
  opt -nodffe -nosdff
  fsm
  opt
  wreduce
  peepopt
  opt_clean
  share
  techmap -map +/cmp2lut.v -D LUT_WIDTH=4
  opt_expr
  opt_clean
  lattice_dsp_nexus (only if -family lifcl/lfd2nx and unless -nodsp)
  techmap -map +/mul2dsp.v [...] (unless -nodsp)
  techmap -map +/lattice/dsp_map.v (unless -nodsp)
  booth (only if '-family xo3')
  alumacc
  opt
  memory -nomap [-no-rw-check]
  opt_clean

map_ram:
  memory_libmap -lib +/lattice/lutrams.txt -lib +/lattice/brams.txt [-no-auto-
↳block] [-no-auto-distributed] (-no-auto-block if -nobram, -no-auto-distributed
↳if -nolutram)
  techmap -map +/lattice/lutrams_map.v -map +/lattice/brams_map.v

map_ffram:
  opt -fast -mux_undef -undriven -fine
  memory_map
  opt -undriven -fine -mux_undef

map_gates:
  techmap -map +/techmap.v -map +/lattice/arith_map.v
  iopadmap -bits -outpad OB I:0 -inpad IB 0:I -toutpad OBZ ~T:I:0 -tinoutpad BB ~
```

(continues on next page)

(continued from previous page)

```

→T:O:I:B A:top    (only if '-iopad')
  attrmvp -attr src -attr LOC t:OB %x:+[O] t:OBZ %x:+[O] t:BB %x:+[B]
  attrmvp -attr src -attr LOC -driven t:IB %x:+[I]
  opt -fast
  abc -dff -D 1    (only if -retime)

map_ffs:
  opt_clean
  dfflegalize -cell $_DFF_?_ 01 -cell $_DFF_?P?_ r -cell $_SDFF_?P?_ r [-cell $_
→DFFE_??_ 01 -cell $_DFFE_?P??_ r -cell $_SDFFE_?P??_ r] [-cell $_ALDFF_?P_ x -
→cell $_ALDFFE_?P?_ x] [-cell $_DLATCH_?_ x]    ($_ALDFF_*_ only if -asyncprld, $_
→DLATCH_*_ only if not -asyncprld, $_*DFFE_*_ only if not -nodffe)
  opt_merge
  zinit -all w:* t:$_DFF_?_ t:$_DFFE_??_ t:$_SDFF*    (only if -abc9 and -dff)
  techmap -D NO_LUT -map +/lattice/cells_map.v
  opt_expr -undriven -mux_undef
  simplemap
  lattice_gsr
  attrmvp -copy -attr syn_useioff
  opt_clean

map_luts:
  abc          (only if -abc2)
  techmap -map +/lattice/latches_map.v    (skip if -asyncprld)
  abc9 -W 300
  clean

map_cells:
  techmap -map +/lattice/cells_map.v
  opt_lut_ins -tech lattice
  clean

check:
  autaname
  hierarchy -check
  stat
  check -noinit
  blackbox =A:whitebox

edif:
  write_edif <file-name>

json:
  write_json <file-name>

```

**Note**

Help text automatically generated from `techlibs/lattice/synth_lattice.cc:31`

**synth\_nexus - synthesis for Nexus FPGAs**

```
yosys> help synth_nexus
```

```
synth_nexus [options]
```

This command runs synthesis for Nexus FPGAs.

This is a wrapper pass, for details take a look at help message for `synth_lattice`.

**Note**

Help text automatically generated from `techlibs/lattice/synth_lattice.cc:602`

**Microchip****microchip\_dffopt - MICROCHIP: optimize FF control signal usage**

```
yosys> help microchip_dffopt
```

```
microchip_dffopt [options] [selection]
```

Converts hardware clock enable and set/reset signals on FFs to emulation using LUTs, if doing so would improve area. Operates on post-techmap LUT, DFF cells.

**Note**

Help text automatically generated from `techlibs/microchip/microchip_dffopt.cc:102`

**microchip\_dsp - MICROCHIP: pack resources into DSPs**

```
yosys> help microchip_dsp
```

```
microchip_dsp [options] [selection]
```

Pack input registers 'A', 'B', 'C', and 'D' (with optional enable/reset), output register 'P' (with optional enable/reset), pre-adder and/or post-adder into Microchip DSP resources.

Multiply-accumulate operations using the post-adder with feedback on the 'C' input will be folded into the DSP. In this scenario only, the 'C' input can be used to override the current accumulation result with a new value. This will be added to the multiplier result to form the next accumulation result.

Use of the dedicated 'PCOUT' -> 'PCIN' cascade path is detected for 'P' -> 'C'

(continues on next page)

(continued from previous page)

connections (optionally, where 'P' is right-shifted by 17-bits and used as an input to the post-adder. This pattern is common for summing partial products to implement wide multipliers). Cascade chains are limited to a maximum length of 24 cells, corresponding to PolarFire (pf) devices.

This pass is a no-op if the scratchpad variable 'microchip\_dsp.mulonly' is set to 1.

```
-family {polarfire} select the family to target
                    default: polarfire
```

### **i** Note

Help text automatically generated from `techlibs/microchip/microchip_dsp.cc:275`

## synth\_microchip - synthesis for Microchip FPGAs

```
yosys> help synth_microchip
```

```
synth_microchip [options]
```

This command runs synthesis for Microchip FPGAs. This command creates netlists that are compatible with Microchip PolarFire devices.

```
-top <module>      use the specified module as the top module

-family <family>  Run synthesis for the specified Microchip architecture.
                  Generate the synthesis netlist for the specified family.
                  supported values:
                  - polarfire: PolarFire

-edif <file>      Write the design to the specified edif file. Writing of
                  ↪an output file
                  is omitted if this parameter is not specified.

-blif <file>      Write the design to the specified BLIF file. Writing of
                  ↪an output file
                  is omitted if this parameter is not specified.

-vlog <file>      write the design to the specified Verilog file. writing
                  ↪of an output
                  file is omitted if this parameter is not specified.

-nobram           Do not use block RAM cells in output netlist

-nocarry          Do not use ARI1 cells in output netlist
```

<code>-nodsp</code>	Do not use MATH blocks to implement multipliers and associated logic
<code>-noiopad</code>	Disable I/O buffer insertion (useful for hierarchical or out-of-context flows)
<code>-noclkbuf</code>	Disable automatic clock buffer insertion
<code>-run &lt;from_label&gt; &lt;to_label&gt;</code>	Only include the commands between the labels (see below). ↳ an empty 'from_label' is synonymous to 'begin', and empty 'to_label' is synonymous to the end of the command list.
<code>-noflatten</code>	do not flatten design before synthesis
<code>-dff</code>	Run 'abc'/'abc9' with -dff option
<code>-retime</code>	Run 'abc' with '-D 1' option to enable flip-flop retiming. ↳ implies -dff.
<code>-noabc9</code>	Use classic ABC flow instead of ABC9
<code>-discard-ffinit</code>	discard FF init value instead of emitting an error

The following commands are executed by this synthesis command:

```
begin:
  read_verilog -lib -specify +/microchip/cells_sim.v
  hierarchy -check -auto-top

prepare:
  proc
  check
  flatten (with '-flatten')
  tribuf -logic
  deminout
  opt_expr
  opt_clean
  check
  opt -nodffe -nosdff
  fsm
  opt
  wreduce
  peepopt
  opt_clean

map_dsp: (skip if '-nodsp')
  memory_dff
```

(continues on next page)

(continued from previous page)

```

techmap -map +/mul2dsp.v -map +/microchip/{family}_dsp_map.v {options}
select a:mul2dsp
setattr -unset mul2dsp
opt_expr -fine
wreduce
select -clear
microchip_dsp -family <family>
chtype -set $mul t:$__soft_mul

coarse:
techmap -map +/cmp2lut.v -map +/cmp2lcu.v -D LUT_WIDTH=[4]
alumacc
share
opt
memory -nomap
opt_clean
attrmap -remove init      (only if -discard-ffinit)

map_memory:
memory_libmap [...]
techmap -map +/microchip/LSRAM_map.v
techmap -map +/microchip/uSRAM_map.v

map_ffram:
opt -fast -full
memory_map

fine:
opt -full
simplemap t:$mux
simplemap t:$xor
extract_reduce
muxcover -nodecode -mux4=220
techmap -map +/microchip/arith_map.v
techmap -map +/techmap.v
opt -fast

map_cells:
iopadmap -bits -inpad INBUF Y:PAD -outpad OUTBUF D:PAD -toutpad TRIBUFF E:D:PAD
↪ -tinoutpad BIBUF E:Y:D:PAD      (unless -noiobs)
techmap -map +/techmap.v -map +/microchip/cells_map.v
clean

map_ffs:
dfflegalize -cell $_DFFE_PN?P_ x -cell $_SDFACE_PN?P_ x -cell $_DLATCH_PN?_ x  ↪
↪ (Converts FFs to supported types)
zinit -all w:* t:$_SDFACE_*      ('-dff' only)
techmap -D NO_LUT -map +/microchip/cells_map.v      ('-abc9' only)

map_luts:
opt_expr -mux_undef -noclkinv
abc -luts 2:2,3,6:5[,10,20] [-dff] [-D 1]      (option for '-nowidelut', '-dff',

```

(continues on next page)

(continued from previous page)

```

↳ '-retime')
  clean
  techmap -D NO_LUT -map +/microchip/cells_map.v    (only if not '-abc9')
  techmap -map +/microchip/cells_map.v -D FINAL_MAP -D LUT_WIDTH=[4]
  microchip_dffopt
  clkbufmap -buf CLKINT Y:A -inpad CLKBUF Y:PAD
  clean -purge

check:
  hierarchy -check
  stat
  check -noinit
  blackbox =A:whitebox

edif:
  write_edif -pvector bra

blif:
  write_blif

vlog:
  write_verilog <file-name>

```

**Note**

Help text automatically generated from `techlibs/microchip/synth_microchip.cc:28`

**Microchip - SmartFusion2/IGLOO2****synth\_sf2 - synthesis for SmartFusion2 and IGLOO2 FPGAs**

```
yosys> help synth_sf2
```

```
synth_sf2 [options]
```

This command runs synthesis for SmartFusion2 and IGLOO2 FPGAs.

<code>-top &lt;module&gt;</code>	use the specified module as top module
<code>-edif &lt;file&gt;</code>	write the design to the specified EDIF file. writing of ↳ an output file is omitted if this parameter is not specified.
<code>-vlog &lt;file&gt;</code>	write the design to the specified Verilog file. writing ↳ of an output file is omitted if this parameter is not specified.
<code>-json &lt;file&gt;</code>	write the design to the specified JSON file. writing of ↳ an output file is omitted if this parameter is not specified.

<code>-run &lt;from_label&gt; &lt;to_label&gt;</code>	run the commands between the labels (see below). ↳ an empty from label is synonymous to 'begin', and empty to label ↳ is synonymous to the end of the command list.
<code>-noflatten</code>	do not flatten design before synthesis
<code>-noiobs</code>	run synthesis in "block mode", i.e. do not insert IO ↳ buffers
<code>-clkbuf</code>	insert direct PAD->global_net buffers
<code>-discard-ffinit</code>	discard FF init value instead of emitting an error
<code>-retime</code>	run 'abc' with '-dff -D 1' options

The following commands are executed by this synthesis command:

```
begin:
  read_verilog -lib +/sf2/cells_sim.v
  hierarchy -check -top <top>

flatten:    (unless -noflatten)
  proc
  check
  flatten
  tribuf -logic
  deminout

coarse:
  attrmap -remove init    (only if -discard-ffinit)
  synth -run coarse

fine:
  opt -fast -mux_undef -undriven -fine
  memory_map
  opt -undriven -fine
  techmap -map +/techmap.v -map +/sf2/arith_map.v
  opt -fast
  abc -dff -D 1    (only if -retime)

map_ffs:
  dfflegalize -cell $_DFFE_PN?P_ x -cell $_SDFACE_PN?P_ x -cell $_DLATCH_PN?_ x
  techmap -D NO_LUT -map +/sf2/cells_map.v
  opt_expr -mux_undef
  simplemap

map_luts:
  abc -lut 4
  clean
```

(continues on next page)

(continued from previous page)

```

map_cells:
  techmap -map +/sf2/cells_map.v
  clean

map_iobs:
  clkbufmap -buf CLKINT Y:A [-inpad CLKBUF Y:PAD]      (unless -noiobs, -inpad only
↳passed if -clkbuf)
  iopadmap -bits -inpad INBUF Y:PAD -outpad OUTBUF D:PAD -toutpad TRIBUFF E:D:PAD
↳-tinoutpad BIBUF E:Y:D:PAD      (unless -noiobs)
  clean -purge

check:
  hierarchy -check
  stat
  check -noinit
  blackbox =A:whitebox

edif:
  write_edif -gndvccy <file-name>

vlog:
  write_verilog <file-name>

json:
  write_json <file-name>

```

**Note**

Help text automatically generated from `techlibs/sf2/synth_sf2.cc:30`

**NanoXplore****nx\_carry - NanoXplore: create carry cells**

```
yosys> help nx_carry
```

```
nx_carry [options] [selection]
```

Fixes carry chain if needed, break it on 24 elements and group by 4 into NX\_CY.

**Note**

Help text automatically generated from `techlibs/nanoxplore/nx_carry.cc:138`

**synth\_nanoxplore - synthesis for NanoXplore FPGAs**

```
yosys> help synth_nanoxplore
```

```
synth_nanoxplore [options]
```

This command runs synthesis for NanoXplore FPGAs.

<code>-top &lt;module&gt;</code>	use the specified module as top module
<code>-family &lt;family&gt;</code>	run synthesis for the specified NanoXplore architecture generate the synthesis netlist for the specified family. supported values: - medium: NG-Medium - large: NG-Large - ultra: NG-Ultra
<code>-json &lt;file&gt;</code>	write the design to the specified JSON file. writing of ↳ an output file is omitted if this parameter is not specified.
<code>-run &lt;from_label&gt; &lt;to_label&gt;</code>	only the commands between the labels (see below). ↳ an empty from label is synonymous to 'begin', and empty to label ↳ is synonymous to the end of the command list.
<code>-noflatten</code>	do not flatten design before synthesis
<code>-abc9</code>	use new ABC9 flow (EXPERIMENTAL)
<code>-nocy</code>	do not map adders to CY cells
<code>-nodffe</code>	do not use flipflops with L in output netlist
<code>-min_ce_use &lt;min_ce_use&gt;</code>	use flip-flops with load signal if the resulting ↳ count is less than min_ce_use in output netlist
<code>-min_srst_use &lt;min_srst_use&gt;</code>	do not use flip-flops with async reset signal if the ↳ resulting count is less than min_srst_use in output netlist
<code>-norfram</code>	do not use Register File RAM cells in output netlist
<code>-nobram</code>	do not use block NX_RAM cells in output netlist
<code>-noiopad</code>	do not insert IO buffers
<code>-no-rw-check</code>	marks all recognized read ports as "return don't-care ↳ value on read/write collision" (same result as setting the no_rw_ ↳ check attribute on all memories).

The following commands are executed by this synthesis command:

```

begin:
  read_verilog -lib -specify +/nanoplore/cells_sim.v +/nanoplore/cells_sim.v +/
↪nanoplore/cells_bb.v +/nanoplore/cells_bb.v
  techmap -map +/nanoplore/cells_wrap.v
  techmap -map +/nanoplore/cells_wrap.v
  hierarchy -check -top <top>

coarse:
  proc
  check
  flatten (skip if -noflatten)
  tribuf -logic
  deminout
  opt_expr
  opt_clean
  check
  opt -nodffe -nosdff
  fsm
  opt
  wreduce
  peepopt
  opt_clean
  share
  techmap -map +/cmp2lut.v -D LUT_WIDTH=4
  opt_expr
  opt_clean
  alumacc
  opt
  memory -nomap [-no-rw-check]
  opt_clean

map_ram:
  memory_libmap -lib +/nanoplore/ram_rams.txt -lib +/nanoplore/brams.txt [-no-
↪auto-block] [-no-auto-distributed] (-no-auto-block if -nobram, -no-auto-
↪distributed if -norfram)
  techmap -map +/nanoplore/ram_rams_map.v -map +/nanoplore/brams_map.v
  techmap -map +/nanoplore/cells_wrap.v t:NX_RAM*
  techmap -map +/nanoplore/cells_wrap.v t:NX_XRFB* t:NX_RFB*

map_ffram:
  opt -fast -mux_undef -undriven -fine
  memory_map
  opt -undriven -fine -mux_undef

map_gates:
  techmap -map +/techmap.v -map +/nanoplore/arith_map.v
  nx_carry
  iopadmap -bits -outpad $__BEYOND_OBUF I:PAD -toutpad $__BEYOND_TOBUF C:I:PAD -
↪inpad $__BEYOND_IBUF O:PAD -tinoutpad $__BEYOND_IOBUF C:O:I:PAD A:top (skip if
↪'-noiopad')
  techmap -map +/nanoplore/io_map.v

```

(continues on next page)

(continued from previous page)

```

opt -fast

map_ffs:
  dfflegalize -cell $_DFF_?_ 01 -cell $_DFF_?P?_ r -cell $_SDF_?P?_ r [-cell $_
↪DFFE_?P_ 01 -cell $_DFFE_?P?P_ r -cell $_SDF_?P?P_ r] -cell $_DLATCH_?_ x -
↪mince 8 -minsrst 8    ($_*DFFE_* only if not -nodffe)
  opt_merge
  techmap -map +/nanoxplore/latches_map.v
  techmap -map +/nanoxplore/cells_map.v
  opt_expr -undriven -mux_undef
  clean -purge

map_luts:
  abc -dress -lut 4
  techmap -map +/nanoxplore/cells_map.v t:$lut
  opt -fast
  clean

check:
  autaname
  hierarchy -check
  stat
  check -noinit
  blackbox =A:whitebox
  setundef -zero -undriven

json:
  write_json <file-name>

```

**Note**

Help text automatically generated from `techlibs/nanoxplore/synth_nanoxplore.cc:31`

**QuickLogic****ql\_bram\_merge - Infers QuickLogic k6n10f BRAM pairs that can operate independently**

yosys> help ql\_bram\_merge

ql\_bram\_merge [selection]

This pass identifies k6n10f 18K BRAM cells and packs pairs of them together into a TDP36K cell operating in split mode

**Note**

Help text automatically generated from `techlibs/quicklogic/ql_bram_merge.cc:184`

**ql\_bram\_types - Change TDP36K type to subtypes**

```
yosys> help ql_bram_types
```

```
ql_bram_types [selection]
```

This pass changes the type of TDP36K cells to different types based on the configuration of the cell.

**Note**

Help text automatically generated from `techlibs/quicklogic/ql_bram_types.cc:33`

**ql\_dsp\_io\_regs - change types of QL\_DSP2 depending on configuration**

```
yosys> help ql_dsp_io_regs
```

```
ql_dsp_io_regs [options] [selection]
```

This pass looks for QL\_DSP2 cells and changes their cell type depending on their configuration.

**Note**

Help text automatically generated from `techlibs/quicklogic/ql_dsp_io_regs.cc:37`

**ql\_dsp\_macc - infer QuickLogic multiplier-accumulator DSP cells**

```
yosys> help ql_dsp_macc
```

```
ql_dsp_macc [selection]
```

This pass looks for a multiply-accumulate pattern based on which it infers a QuickLogic DSP cell.

**Note**

Help text automatically generated from `techlibs/quicklogic/ql_dsp_macc.cc:185`

**ql\_dsp\_simd - merge QuickLogic K6N10f DSP pairs to operate in SIMD mode**

```
yosys> help ql_dsp_simd
```

ql\_dsp\_simd [selection]

This pass identifies K6N10f DSP cells with identical configuration and pack pairs of them together into other DSP cells that can perform SIMD operation.

**Note**

Help text automatically generated from techlibs/quicklogic/ql\_dsp\_simd.cc:32

### ql\_ioff - Infer I/O FFs for qlf\_k6n10f architecture

yosys> help ql\_ioff

ql\_ioff [selection]

This pass promotes qlf\_k6n10f registers directly connected to a top-level I/O port to I/O FFs.

**Note**

Help text automatically generated from techlibs/quicklogic/ql\_ioff.cc:10

### synth\_quicklogic - Synthesis for QuickLogic FPGAs

yosys> help synth\_quicklogic

synth\_quicklogic [options]

This command runs synthesis for QuickLogic FPGAs

-top <module>	use the specified module as top module
-family <family>	run synthesis for the specified QuickLogic architecture generate the synthesis netlist for the specified family. supported values: - pp3: PolarPro 3 - qlf_k6n10f: K6N10f
-nodsp	do not use dsp_t1_* to implement multipliers and ↵ associated logic (qlf_k6n10f only).
-nocarry	do not use adder_carry cells in output netlist.
-nobram	do not use block RAM cells in output netlist.
-bramtypes	Emit specialized BRAM cells for particular address and ↵ data width configurations.

<code>-blif &lt;file&gt;</code>	write the design to the specified BLIF file. writing of ↳ an output file is omitted if this parameter is not specified.
<code>-verilog &lt;file&gt;</code>	write the design to the specified verilog file. writing ↳ of an output file is omitted if this parameter is not specified.
<code>-abc</code>	use old ABC flow, which has generally worse mapping ↳ results but is less likely to have bugs.

The following commands are executed by this synthesis command:

```
begin:
  read_verilog -lib -specify +/quicklogic/common/cells_sim.v +/quicklogic/<family>
  ↳ /cells_sim.v
  hierarchy -check -top <top>

prepare:
  proc
  check
  flatten      (unless -noflatten)
  tribuf -logic                (for pp3)
  deminout
  opt_expr
  opt_clean
  check
  opt -nodffe -nosdff
  fsm
  opt
  wreduce
  peepopt
  opt_clean
  share

map_dsp:      (for qlf_k6n10f, skip if -nodsp)
  wreduce t:$mul
  ql_dsp_macc
  techmap -map +/mul2dsp.v -D DSP_A_MAXWIDTH=20 -D DSP_B_MAXWIDTH=18 -D DSP_A_
  ↳ MINWIDTH=11 -D DSP_B_MINWIDTH=10 -D DSP_NAME=$_QL_MUL20X18
  chtype -set $mul t:$_soft_mul
  techmap -map +/mul2dsp.v -D DSP_A_MAXWIDTH=10 -D DSP_B_MAXWIDTH=9 -D DSP_A_
  ↳ MINWIDTH=4 -D DSP_B_MINWIDTH=4 -D DSP_NAME=$_QL_MUL10X9
  chtype -set $mul t:$_soft_mul
  techmap -map +/quicklogic/<family>/dsp_map.v -D USE_DSP_CFG_PARAMS=0
  ql_dsp_simd
  techmap -map +/quicklogic/<family>/dsp_final_map.v
  ql_dsp_io_regs

coarse:
  techmap -map +/cmp2lut.v -D LUT_WIDTH=4
```

(continues on next page)

(continued from previous page)

```

opt_expr
opt_clean
alumacc
pmuxtree
opt
memory -nomap
opt_clean

map_bram:    (for qlf_k6n10f, skip if -no_bram)
memory_libmap -lib +/quicklogic/<family>/libmap_brams.txt
ql_bram_merge
techmap -map +/quicklogic/<family>/libmap_brams_map.v
techmap -autoproc -map +/quicklogic/<family>/brams_map.v
ql_bram_types    (if -bramtypes)

map_ffram:
opt -fast -mux_undef -undriven -fine
memory_map -iattr -attr !ram_block -attr !rom_block -attr logic_block -attr syn_
↪ramstyle=auto -attr syn_ramstyle=registers -attr syn_romstyle=auto -attr syn_
↪romstyle=logic
opt -undriven -fine

map_gates:
techmap
opt -fast
muxcover -mux8 -mux4    (for pp3)

map_ffs:
opt_expr
shregmap -minlen <min> -maxlen <max>    (for qlf_k6n10f)
dfflegalize -cell <supported FF types>
techmap -map +/quicklogic/<family>/cells_map.v    (for pp3)
techmap -map +/quicklogic/<family>/ffs_map.v    (for ql_k6n10f)
opt

map_luts:    (for pp3)
techmap -map +/quicklogic/<family>/latches_map.v
read_verilog -lib -specify -icells +/quicklogic/<family>/abc9_model.v
techmap -map +/quicklogic/<family>/abc9_map.v
abc9 -maxlut 4 -dff
techmap -map +/quicklogic/<family>/abc9_unmap.v
clean

map_luts:    (for qlf_k6n10f)
abc9 -maxlut 6
clean
opt_lut

map_cells:    (for pp3)
techmap -map +/quicklogic/<family>/lut_map.v
clean
opt_lut

```

(continues on next page)

(continued from previous page)

```

iomap:    (for qlf_k6n10f, skip if -noioff)
  ql_ioff
  opt_clean

check:
  autoname
  hierarchy -check
  stat
  check -noinit

iomap:    (for pp3)
  clkbufmap -inpad ckp pad Q:P
  iopadmap -bits -outpad outpad A:P -inpad inpad Q:P -tinoutpad bipad EN:Q:A:P
  ↪A:top

finalize:
  setundef -zero -params -undriven    (for pp3)
  opt_clean -purge
  check
  blackbox =A:whitebox

blif:    (if -blif)
  write_blif -attr -param -auto-top

verilog: (if -verilog)
  write_verilog -noattr -nohex <file-name>

```

**Note**

Help text automatically generated from `techlibs/quicklogic/synth_quicklogic.cc:30`

**Xilinx****synth\_xilinx - synthesis for Xilinx FPGAs**

```
yosys> help synth_xilinx
```

```
synth_xilinx [options]
```

This command runs synthesis for Xilinx FPGAs. This command does not operate on partly selected designs. At the moment this command creates netlists that are compatible with 7-Series Xilinx devices.

`-top <module>` use the specified module as top module

`-family <family>` run synthesis for the specified Xilinx architecture  
generate the synthesis netlist for the specified family.  
supported values:  
- xcup: Ultrascale Plus

(continues on next page)

(continued from previous page)

	<ul style="list-style-type: none"> <li>- xcu: Ultrascale</li> <li>- xc7: Series 7 (default)</li> <li>- xc6s: Spartan 6</li> <li>- xc6v: Virtex 6</li> <li>- xc5v: Virtex 5 (EXPERIMENTAL)</li> <li>- xc4v: Virtex 4 (EXPERIMENTAL)</li> <li>- xc3sda: Spartan 3A DSP (EXPERIMENTAL)</li> <li>- xc3sa: Spartan 3A (EXPERIMENTAL)</li> <li>- xc3se: Spartan 3E (EXPERIMENTAL)</li> <li>- xc3s: Spartan 3 (EXPERIMENTAL)</li> <li>- xc2vp: Virtex 2 Pro (EXPERIMENTAL)</li> <li>- xc2v: Virtex 2 (EXPERIMENTAL)</li> <li>- xcve: Virtex E, Spartan 2E (EXPERIMENTAL)</li> <li>- xcv: Virtex, Spartan 2 (EXPERIMENTAL)</li> </ul>
-edif <file>	write the design to the specified edif file. writing of <u>an output file</u> is omitted if this parameter is not specified.
-blif <file>	write the design to the specified BLIF file. writing of <u>an output file</u> is omitted if this parameter is not specified.
-ise	generate an output netlist suitable for ISE
-nobram	do not use block RAM cells in output netlist
-nolutram	do not use distributed RAM cells in output netlist
-nosrl	do not use distributed SRL cells in output netlist
-nocarry	do not use XORCY/MUXCY/CARRY4 cells in output netlist
-nowidelut	do not use MUXF[5-9] resources to implement LUTs larger <u>than native for the target</u>
-nodsp	do not use DSP48*s to implement multipliers and <u>associated logic</u>
-noiopad	disable I/O buffer insertion (useful for hierarchical or out-of-context flows)
-noclkbuf	disable automatic clock buffer insertion
-uram	infer URAM288s for large memories (xcup only)

<code>-widemux &lt;int&gt;</code>	enable inference of hard multiplexer resources ↳(MUXF[78]) for muxes at or above this number of inputs (minimum value 2, ↳recommended value >= 5) default: 0 (no inference)
<code>-json &lt;file&gt;</code>	write the design to the specified JSON file. writing of ↳an output file is omitted if this parameter is not specified.
<code>-run &lt;from_label&gt; &lt;to_label&gt;</code>	only the commands between the labels (see below). ↳an empty from label is synonymous to 'begin', and empty to label ↳is synonymous to the end of the command list.
<code>-flatten</code>	flatten design before synthesis
<code>-dff</code>	run 'abc'/'abc9' with -dff option
<code>-retime</code>	run 'abc' with '-D 1' option to enable flip-flop ↳retiming. implies -dff.
<code>-abc9</code>	use new ABC9 flow (EXPERIMENTAL)

The following commands are executed by this synthesis command:

```
begin:
  read_verilog -lib -specify +/xilinx/cells_sim.v
  read_verilog -lib +/xilinx/cells_xtra.v
  hierarchy -check -auto-top

prepare:
  proc
  check
  flatten      (with '-flatten')
  tribuf -logic
  deminout
  opt_expr
  opt_clean
  check
  opt -nodffe -nosdff
  fsm
  opt
  wreduce [-keepdc]      (option for '-widemux')
  peepopt
  opt_clean
  muxpack      ('-widemux' only)
  pmux2shiftx  (skip if '-nosrl' and '-widemux=0')
  clean        (skip if '-nosrl' and '-widemux=0')
```

(continues on next page)

(continued from previous page)

```

sort

map_dsp:    (skip if '-nodsp')
memory_dff
techmap -map +/mul2dsp.v -map +/xilinx/{family}_dsp_map.v {options}
select a:mul2dsp
setattr -unset mul2dsp
opt_expr -fine
wreduce
select -clear
xilinx_dsp -family <family>
chtype -set $mul t:$__soft_mul

coarse:
techmap -map +/cmp2lut.v -map +/cmp2lcu.v -D LUT_WIDTH=[46]
alumacc
share
opt
memory -nomap
opt_clean

map_memory:
memory_libmap [...]
techmap -map +/xilinx/lutrams_<family>_map.v
techmap -map +/xilinx/brams_<family>_map.v

map_ffram:
opt -fast -full
memory_map

fine:
simplemap t:$mux    ('-widemux' only)
muxcover <internal options>    ('-widemux' only)
opt -full
xilinx_srl -variable -minlen 3    (skip if '-nosrl')
techmap -map +/techmap.v -D LUT_SIZE=[46] [-map +/xilinx/mux_map.v] -map +/
↪xilinx/arith_map.v
opt -fast

map_cells:
iopadmap -bits -outpad OBUF I:0 -inpad IBUF 0:I -toutpad OBUFT ~T:I:0 -
↪tinoutpad IOBUF ~T:0:I:IO A:top    (skip if '-noiopad')
techmap -map +/techmap.v -map +/xilinx/cells_map.v
clean

map_ffs:
dfflegalize -cell $_DFFE_?P?P_ 01 -cell $_SDFFE_?P?P_ 01 -cell $_DLATCH_?P?_ 01_
↪    (for xc6v, xc7, xcu, xcup)
zinit -all w:* t:$_SDFFE_*    ('-dff' only)
techmap -map +/xilinx/ff_map.v    ('-abc9' only)

map_luts:

```

(continues on next page)

(continued from previous page)

```

opt_expr -mux_undef -noclkinv
abc -luts 2:2,3,6:5[,10,20] [-dff] [-D 1]    (option for '-nowidelut', '-dff',
↪ '-retime')
clean
techmap -map +/xilinx/ff_map.v    (only if not '-abc9')
xilinx_srl -fixed -minlen 3    (skip if '-nosrl')
techmap -map +/xilinx/lut_map.v -map +/xilinx/cells_map.v -D LUT_WIDTH=[46]
xilinx_dffopt [-lut4]
opt_lut_ins -tech xilinx

finalize:
  clkbufmap -buf BUFG 0:I    (skip if '-noclkbuf')
  extractinv -inv INV 0:I    (only if '-ise')
  clean

check:
  hierarchy -check
  stat -tech xilinx
  check -noinit
  blackbox =A:whitebox

edif:
  write_edif -pvector bra

blif:
  write_blif

json:
  write_json <file-name>

```

**Note**

Help text automatically generated from `techlibs/xilinx/synth_xilinx.cc:31`

**xilinx\_dffopt - Xilinx: optimize FF control signal usage**

```
yosys> help xilinx_dffopt
```

```
xilinx_dffopt [options] [selection]
```

Converts hardware clock enable and set/reset signals on FFs to emulation using LUTs, if doing so would improve area. Operates on post-techmap Xilinx cells (LUT\*, FD\*).

```
-lut4
```

Assume a LUT4-based device (instead of a LUT6-based ↪ device).



**Note**

Help text automatically generated from `techlibs/xilinx/xilinx_dsp.cc:735`

**xilinx\_srl - Xilinx shift register extraction**

```
yosys> help xilinx_srl
```

```
xilinx_srl [options] [selection]
```

This pass converts chains of built-in flops (bit-level: `$_DFP_[NP]_`, `$_DFPE_*` and word-level: `$dff`, `$dffs`) as well as Xilinx flops (`FDRE`, `FDRE_1`) into a `$_XILINX_SHREG` cell. Chains must be of the same cell type, clock, clock polarity, enable, and enable polarity (where relevant). Flops with resets cannot be mapped to Xilinx devices and will not be inferred.

<code>-minlen N</code>	min length of shift register (default = 3)
<code>-fixed</code>	infer fixed-length shift registers.
<code>-variable</code>	infer variable-length shift registers (i.e. fixed-length shifts where each element also fans-out to a <code>\$shiftx</code> cell).

**Note**

Help text automatically generated from `techlibs/xilinx/xilinx_srl.cc:188`

**10.1.8 Internal commands for developers****example\_dt - drivertools example**

```
yosys> help example_dt
```

**Warning**

This command is intended for internal developer use only

TODO: add help message

**Note**

Help text automatically generated from `passes/cmds/example_dt.cc:24`

**internal\_stats - print internal statistics**

yosys> help internal\_stats

**Warning**

This command is experimental

**Warning**

This command is intended for internal developer use only

Print internal statistics for developers (experimental)

**Note**

Help text automatically generated from `passes/cmds/internal_stats.cc:72`

**linux\_perf - turn linux perf recording off or on**

yosys> help linux\_perf

**Warning**

This command is intended for internal developer use only

**linux\_perf** [on|off]

This pass turns Linux ‘perf’ profiling on or off, when it has been configured to use control FIFOs. `YOSYS_PERF_CTL` and `YOSYS_PERF_ACK` must point to Linux perf control FIFOs.

Example shell command line:

```
mkfifo /tmp/perf.fifo /tmp/perf-ack.fifo
YOSYS_PERF_CTL=/tmp/perf.fifo YOSYS_PERF_ACK=/tmp/perf-ack.fifo \
perf record --latency --delay=-1 \
--control=fifo:/tmp/perf.fifo,/tmp/perf-ack.fifo --call-graph=dwarf ./yosys \
-dt -p "read_rtlil design.rtlil; linux_perf on; opt_clean; linux_perf off"
```

**Note**

Help text automatically generated from `passes/cmds/linux_perf.cc:33`

**test\_abcloop - automatically test handling of loops in abc command**

yosys&gt; help test\_abcloop

**Warning**

This command is intended for internal developer use only

test\_abcloop [options]

Test handling of logic loops in ABC.

**-n** {integer} create this number of circuits and test them (default = 100).

**-s** {positive\_integer} this value as rng seed value (default = unix time).

**Note**

Help text automatically generated from passes/tests/test\_abcloop.cc:246

**test\_autotb - generate simple test benches**

yosys&gt; help test\_autotb

**Warning**

This command is intended for internal developer use only

test\_autotb [options] [filename]

Automatically create primitive Verilog test benches for all modules in the design. The generated testbenches toggle the input pins of the module in a semi-random manner and dumps the resulting output signals.

This can be used to check the synthesis results for simple circuits by comparing the testbench output for the input files and the synthesis results.

The backend automatically detects clock signals. Additionally a signal can be forced to be interpreted as clock signal by setting the attribute 'gentb\_clock' on the signal.

The attribute 'gentb\_constant' can be used to force a signal to a constant value after initialization. This can e.g. be used to force a reset signal low in order to explore more inner states in a state machine.

The attribute 'gentb\_skip' can be attached to modules to suppress testbench generation.

<code>-n &lt;int&gt;</code>	number of iterations the test bench should run (default ↵ ↵= 1000)
<code>-seed &lt;int&gt;</code>	seed used for pseudo-random number generation (default ↵ ↵= 0). a value of 0 will cause an arbitrary seed to be chosen, ↵ ↵based on the current system time.

**Note**

Help text automatically generated from `passes/tests/test_autotb.cc:329`

**test\_cell - automatically test the implementation of a cell type**

yosys> help test\_cell

**Warning**

This command is intended for internal developer use only

`test_cell [options] {cell-types}`

Tests the internal implementation of the given cell type (for example '\$add') by comparing SAT solver, EVAL and TECHMAP implementations of the cell types..

Run with 'all' instead of a cell type to run the test on all supported cell types. Use for example 'all /\$add' for all cell types except \$add.

<code>-n {integer}</code>	create this number of cell instances and test them ↵ ↵(default = 100).
<code>-s {positive_integer}</code>	use this value as rng seed value (default = unix time).
<code>-f {rtlil_file}</code>	don't generate circuits. instead load the specified ↵ ↵RTLIL file.
<code>-w {filename_prefix}</code>	don't test anything. just generate the circuits and ↵ ↵write them to RTLIL files with the specified prefix
<code>-map {filename}</code>	pass this option to techmap.
<code>-simlib</code>	use "techmap -D SIMLIB_NOCHECKS -map +/simlib.v -max_ ↵ ↵iter 2 -autoproc"

<code>-aigmap</code>	instead of calling "techmap", call "aigmap"
<code>-muxdiv</code>	when creating test benches with dividers, create an ↳ additional mux to mask out the division-by-zero case
<code>-script {script_file}</code>	instead of calling "techmap", call "script {script_file}" ↳ "
<code>-const</code>	set some input bits to random constant values
<code>-nosat</code>	do not check SAT model or run SAT equivalence checking
<code>-noeval</code>	do not check const-eval models
<code>-noopt</code>	do not opt techmapped design
<code>-edges</code>	test cell edges db creator against sat-based ↳ implementation
<code>-v</code>	print additional debug information to the console
<code>-vlog {filename}</code>	create a Verilog test bench to test simlib and write_ ↳ verilog
<code>-bloat {factor}</code>	increase cell size limits b{factor} times where possible
<code>-check_cost</code>	check if the estimated cell cost is a valid upper bound_ ↳ for the techmapped cell count

**Note**

Help text automatically generated from `passes/tests/test_cell.cc:807`

**test\_generic - test the generic compute graph**

```
yosys> help test_generic
```

**Warning**

This command is intended for internal developer use only

TODO: add help message

**Note**

Help text automatically generated from `backends/functional/test_generic.cc:119`

**test\_pmgen - test pass for pmgen**

```
yosys> help test_pmgen
```

**Warning**

This command is intended for internal developer use only

```
test_pmgen -reduce_chain [options] [selection]
```

Demo for recursive pmgen patterns. Map chains of AND/OR/XOR to `$reduce_*`.

```
test_pmgen -reduce_tree [options] [selection]
```

Demo for recursive pmgen patterns. Map trees of AND/OR/XOR to `$reduce_*`.

```
test_pmgen -eqpmux [options] [selection]
```

Demo for recursive pmgen patterns. Optimize EQ/NE/PMUX circuits.

```
test_pmgen -generate [options] <pattern_name>
```

Create modules that match the specified pattern.

**Note**

Help text automatically generated from `passes/pmgen/test_pmgen.cc:120`

**10.1.9 Writing command help**

- use *chformal* as an example
- generated help content below

**chformal - change formal constraints of the design**

```
yosys> help chformal
```

```
chformal [types] [mode] [options] [selection]
```

Make changes to the formal constraints of the design. The [types] options the type of constraint to operate on. If none of the following options are given, the command will operate on all constraint types:

<code>-assert</code>	<code>\$assert</code> cells, representing <code>assert(...)</code> constraints
<code>-assume</code>	<code>\$assume</code> cells, representing <code>assume(...)</code> constraints
<code>-live</code>	<code>\$live</code> cells, representing <code>assert(s_eventually ...)</code>

- `-fair`            *\$fair* cells, representing `assume(s_eventually ...)`
- `-cover`        *\$cover* cells, representing `cover()` statements

Additionally `chformal` will operate on *\$check* cells corresponding to the selected constraint types.

Exactly one of the following modes must be specified:

- `-remove`        remove the cells and thus constraints from the design
- `-early`        bypass FFs that only delay the activation of a constraint. When inputs of the bypassed FFs do not remain stable between clock edges, this may result in unexpected behavior.
- `-delay <N>`    delay activation of the constraint by `<N>` clock cycles
- `-skip <N>`     ignore activation of the constraint in the first `<N>` clock cycles
- `-coverenable`    add cover statements for the enable signals of the constraints
- `-assert2assume`
- `-assert2cover`
- `-assume2assert`
- `-live2fair`
- `-fair2live`     change the roles of cells as indicated. these options can be combined
- `-lower`        convert each *\$check* cell into an *\$assert*, *\$assume*, *\$live*, *\$fair* or *\$cover* cell. If the *\$check* cell contains a message, also produce a *\$print* cell.

#### Note

Help text automatically generated from `passes/cmds/chformal.cc:74`

### The `formatted_help()` method

- `PrettyHelp::get_current()`
- `PrettyHelp::set_group()`
  - used with `.. autocmdgroup:: <group>`
  - can assign group and return false
  - if no group is set, will try to use `source_location` and assign group from path to source file
- return value
  - true means help content added to current `PrettyHelp`
  - false to use `Pass::help()`
- adding content
  - help content is a list of `ContentListing` nodes, each one having a type, body, and its own list of children `ContentListings`
  - `PrettyHelp::get_root()` returns the root `ContentListing` (`type="root"`)
  - `ContentListing::{usage, option, codeblock, paragraph}` each add a `ContentListing` to the current node, with type the same as the method

- \* the first argument is the body of the new node
  - \* `usage` shows how to call the command (i.e. its “signature”)
  - \* `paragraph` content is formatted as a paragraph of text with line breaks added automatically
  - \* `codeblock` content is displayed verbatim, use line breaks as desired; takes an optional `language` argument for assigning the language in RST output for code syntax highlighting (use `yoscript` for yosys script syntax highlighting)
  - \* `option` lists a single option for the command, usually starting with a dash (-); takes an optional second argument which adds a paragraph node as a means of description
- `ContentListing::open_usage` creates and returns a new usage node, can be used to e.g. add text/options specific to a given usage of the command
  - `ContentListing::open_option` creates and returns a new option node, can be used to e.g. add multiple paragraphs to an option’s description
  - paragraphs are treated as raw RST, allowing for inline formatting and references as if it were written in the RST file itself

Listing 10.1: `ChformalPass::formatted_help()` from `passes/cmds/chformal.cc`

```

bool formatted_help() override {
    auto *help = PrettyHelp::get_current();
    help->set_group("formal");

    auto content_root = help->get_root();

    content_root->usage("chformal [types] [mode] [options] [selection]");
    content_root->paragraph(
        "Make changes to the formal constraints of the design. The
↪[types] options "
        "the type of constraint to operate on. If none of the following
↪options are "
        "given, the command will operate on all constraint types:"
    );

    content_root->option("-assert", "`$assert` cells, representing ``assert(
↪..)`` constraints");
    content_root->option("-assume", "`$assume` cells, representing ``assume(
↪..)`` constraints");
    content_root->option("-live", "`$live` cells, representing ``assert(s_
↪eventually ...)``");
    content_root->option("-fair", "`$fair` cells, representing ``assume(s_
↪eventually ...)``");
    content_root->option("-cover", "`$cover` cells, representing ``cover()``
↪statements");
    content_root->paragraph(
        "Additionally chformal will operate on `$check` cells
↪corresponding to the "
        "selected constraint types."
    );

    content_root->paragraph("Exactly one of the following modes must be

```

(continues on next page)

```

↪specified:");
        content_root->option("-remove", "remove the cells and thus constraints_
↪from the design");
        content_root->option("-early",
            "bypass FFs that only delay the activation of a constraint. When_
↪inputs "
            "of the bypassed FFs do not remain stable between clock edges,_
↪this may "
            "result in unexpected behavior."
        );
        content_root->option("-delay <N>", "delay activation of the constraint_
↪by <N> clock cycles");
        content_root->option("-skip <N>", "ignore activation of the constraint_
↪in the first <N> clock cycles");
        auto cover_option = content_root->open_option("-coverenable");
        cover_option->paragraph(
            "add cover statements for the enable signals of the constraints"
        );
#ifdef YOSYS_ENABLE_VERIFIC
        cover_option->paragraph(
↪that a "
            "Note: For the Verific frontend it is currently not guaranteed_
            "reachable SVA statement corresponds to an active enable signal."
        );
#endif
        content_root->option("-assert2assume");
        content_root->option("-assert2cover");
        content_root->option("-assume2assert");
        content_root->option("-live2fair");
        content_root->option("-fair2live", "change the roles of cells as_
↪indicated. these options can be combined");
        content_root->option("-lower",
            "convert each $check cell into an $assert, $assume, $live, $fair_
↪or "
            "$cover cell. If the $check cell contains a message, also_
↪produce a "
            "$print cell."
        );
        return true;
    }

```

### Dumping command help to json

- `help -dump-cmds-json cmds.json`
  - generates a `ContentListing` for each command registered in Yosys
  - tries to parse unformatted `Pass::help()` output if `Pass::formatted_help()` is unimplemented or returns false
    - \* if a line starts with four spaces followed by the name of the command then a space, it is parsed as a signature (usage node)

- \* if a line is indented and starts with a dash (-), it is parsed as an option
- \* anything else is parsed as a codeblock and added to either the root node or the current option depending on the indentation
- dictionary of command name to ContentListing
  - \* uses ContentListing::to\_json() recursively for each node in root
  - \* root node used for source location of class definition
  - \* includes flags set during pass constructor (e.g. experimental\_flag set by Pass::experimental())
  - \* also title (short\_help argument in Pass::Pass), group, and class name
- dictionary of group name to list of commands in that group
- used by sphinx autodoc to generate help content

Listing 10.2: *chformal* in generated *cmds.json*

```

"chformal": {
  "title": "change formal constraints of the design",
  "content": [
    {"body": "chformal [types] [mode] [options] [selection]", "content": [], "options
↪": {}, "source_file": "passes/cmds/chformal.cc", "source_line": 82, "type": "usage"},
    {"body": "Make changes to the formal constraints of the design. The [types]
↪options the type of constraint to operate on. If none of the following options are
↪given, the command will operate on all constraint types:", "content": [], "options": {}
↪", "source_file": "passes/cmds/chformal.cc", "source_line": 83, "type": "text"},
    {"body": "-assert", "content": [{"body": "`$assert` cells, representing
↪`assert(...)` constraints", "content": [], "options": {}, "source_file": "passes/
↪cmds/chformal.cc", "source_line": 89, "type": "text"}], "options": {}, "source_file":
↪"kernel/log_help.cc", "source_line": 47, "type": "option"},
    {"body": "-assume", "content": [{"body": "`$assume` cells, representing
↪`assume(...)` constraints", "content": [], "options": {}, "source_file": "passes/
↪cmds/chformal.cc", "source_line": 90, "type": "text"}], "options": {}, "source_file":
↪"kernel/log_help.cc", "source_line": 47, "type": "option"},
    {"body": "-live", "content": [{"body": "`$live` cells, representing `assert(s_
↪eventually ...)``", "content": [], "options": {}, "source_file": "passes/cmds/chformal.
↪cc", "source_line": 91, "type": "text"}], "options": {}, "source_file": "kernel/log_
↪help.cc", "source_line": 47, "type": "option"},
    {"body": "-fair", "content": [{"body": "`$fair` cells, representing `assume(s_
↪eventually ...)``", "content": [], "options": {}, "source_file": "passes/cmds/chformal.
↪cc", "source_line": 92, "type": "text"}], "options": {}, "source_file": "kernel/log_
↪help.cc", "source_line": 47, "type": "option"},
    {"body": "-cover", "content": [{"body": "`$cover` cells, representing
↪`cover()` statements", "content": [], "options": {}, "source_file": "passes/cmds/
↪chformal.cc", "source_line": 93, "type": "text"}], "options": {}, "source_file":
↪"kernel/log_help.cc", "source_line": 47, "type": "option"},
    {"body": "Additionally chformal will operate on `$check` cells corresponding to
↪the selected constraint types.", "content": [], "options": {}, "source_file": "passes/
↪cmds/chformal.cc", "source_line": 94, "type": "text"},
    {"body": "Exactly one of the following modes must be specified:", "content": [],
↪"options": {}, "source_file": "passes/cmds/chformal.cc", "source_line": 99, "type":
↪"text"},
  ]
}

```

(continues on next page)

(continued from previous page)

```

    {"body": "-remove", "content": [{"body": "remove the cells and thus constraints_
↪from the design", "content": [], "options": {}, "source_file": "passes/cmds/chformal.cc
↪", "source_line": 101, "type": "text"}], "options": {}, "source_file": "kernel/log_
↪help.cc", "source_line": 47, "type": "option"},
    {"body": "-early", "content": [{"body": "bypass FFs that only delay the_
↪activation of a constraint. When inputs of the bypassed FFs do not remain stable_
↪between clock edges, this may result in unexpected behavior.", "content": [], "options
↪": {}, "source_file": "passes/cmds/chformal.cc", "source_line": 102, "type": "text"}],
↪"options": {}, "source_file": "kernel/log_help.cc", "source_line": 47, "type": "option
↪"},
    {"body": "-delay <N>", "content": [{"body": "delay activation of the constraint_
↪by <N> clock cycles", "content": [], "options": {}, "source_file": "passes/cmds/
↪chformal.cc", "source_line": 107, "type": "text"}], "options": {}, "source_file":
↪"kernel/log_help.cc", "source_line": 47, "type": "option"},
    {"body": "-skip <N>", "content": [{"body": "ignore activation of the constraint_
↪in the first <N> clock cycles", "content": [], "options": {}, "source_file": "passes/
↪cmds/chformal.cc", "source_line": 108, "type": "text"}], "options": {}, "source_file":
↪"kernel/log_help.cc", "source_line": 47, "type": "option"},
    {"body": "-coverenable", "content": [{"body": "add cover statements for the_
↪enable signals of the constraints", "content": [], "options": {}, "source_file":
↪"passes/cmds/chformal.cc", "source_line": 110, "type": "text"}], "options": {},
↪"source_file": "passes/cmds/chformal.cc", "source_line": 109, "type": "option"},
    {"body": "-assert2assume", "content": [], "options": {}, "source_file": "kernel/
↪log_help.cc", "source_line": 47, "type": "option"},
    {"body": "-assert2cover", "content": [], "options": {}, "source_file": "kernel/
↪log_help.cc", "source_line": 47, "type": "option"},
    {"body": "-assume2assert", "content": [], "options": {}, "source_file": "kernel/
↪log_help.cc", "source_line": 47, "type": "option"},
    {"body": "-live2fair", "content": [], "options": {}, "source_file": "kernel/log_
↪help.cc", "source_line": 47, "type": "option"},
    {"body": "-fair2live", "content": [{"body": "change the roles of cells as_
↪indicated. these options can be combined", "content": [], "options": {}, "source_file
↪": "passes/cmds/chformal.cc", "source_line": 123, "type": "text"}], "options": {},
↪"source_file": "kernel/log_help.cc", "source_line": 47, "type": "option"},
    {"body": "-lower", "content": [{"body": "convert each $check cell into an
↪$assert, $assume, $live, $fair or $cover cell. If the $check cell contains a message,_
↪also produce a $print cell.", "content": [], "options": {}, "source_file": "passes/
↪cmds/chformal.cc", "source_line": 124, "type": "text"}], "options": {}, "source_file":
↪"kernel/log_help.cc", "source_line": 47, "type": "option"}
  ],
  "group": "formal",
  "source_file": "passes/cmds/chformal.cc",
  "source_line": 74,
  "source_func": "{anonymous}::ChformalPass::ChformalPass()",
  "experimental_flag": false,
  "internal_flag": false
},

```

**Note**

Synthesis command scripts are special cased

If the final block of help output starts with the string "The following commands are executed by this synthesis command:n", then the rest of the code block is formatted as yoscript (e.g. *synth\_ice40*). The caveat here is that if the `script()` calls `run()` on any commands *prior* to the first `check_label` then the auto detection will break and revert to unformatted code (e.g. *synth\_fabulous*).

### Command line rendering

- if `Pass::formatted_help()` returns true, will call `PrettyHelp::log_help()`
  - traverse over the children of the root node and render as plain text
  - effectively the reverse of converting unformatted `Pass::help()` text
  - lines are broken at 80 characters while maintaining indentation (controlled by `MAX_LINE_LEN` in `kernel/log_help.cc`)
  - each line is broken into words separated by spaces, if a given word starts and ends with backticks they will be stripped
- if it returns false it will call `Pass::help()` which should call `log()` directly to print and format help text
  - if `Pass::help()` is not overridden then a default message about missing help will be displayed

```
-- Running command `help chformal' --
```

```
chformal [types] [mode] [options] [selection]
```

Make changes to the formal constraints of the design. The [types] options the type of constraint to operate on. If none of the following options are given, the command will operate on all constraint types:

```
-assert
  $assert cells, representing assert(...) constraints

-assume
  $assume cells, representing assume(...) constraints

-live
  $live cells, representing ``assert(s_eventually ...)``

-fair
  $fair cells, representing ``assume(s_eventually ...)``

-cover
  $cover cells, representing cover() statements
```

Additionally `chformal` will operate on `$check` cells corresponding to the selected constraint types.

Exactly one of the following modes must be specified:

```
-remove
  remove the cells and thus constraints from the design
```

(continues on next page)

(continued from previous page)

```

-early
    bypass FFs that only delay the activation of a constraint. When inputs
    of the bypassed FFs do not remain stable between clock edges, this may result
    in unexpected behavior.

-delay <N>
    delay activation of the constraint by <N> clock cycles

-skip <N>
    ignore activation of the constraint in the first <N> clock cycles

-coverenable
    add cover statements for the enable signals of the constraints

-assert2assume
-assert2cover
-assume2assert
-live2fair
-fair2live
    change the roles of cells as indicated. these options can be combined

-lower
    convert each $check cell into an $assert, $assume, $live, $fair or
    $cover cell. If the $check cell contains a message, also produce a $print
    cell.

```

### RST generated from autocmd

- below is the raw RST output from autocmd (YosysCmdDocumenter class in docs/util/cmd\_documenter.py) for *chformal* command
- heading will be rendered as a subheading of the most recent heading (see *chformal autocmd* above rendered under *Writing command help*)
- .. cmd:def:: <cmd> line is indexed for cross references with :cmd:ref: directive (*chformal autocmd* above uses :noindex: option so that *chformal* still links to the correct location)
  - :title: option controls text that appears when hovering over the *chformal* link
- commands with warning flags (experimental or internal) add a .. warning block before any of the help content
- if a command has no source\_location the .. note at the bottom will instead link to /cmd/index\_other

Listing 10.3: Generated rst for .. autocmd:: chformal

```

chformal - change formal constraints of the design
#####
.. cmd:def:: chformal
   :title: change formal constraints of the design

.. cmd:usage:: chformal::chformal [types] [mode] [options] [selection]

```

(continues on next page)

(continued from previous page)

Make changes to the formal constraints of the design. The [types] options the type of `U`  
`↪`constraint to operate on. If none of the following options are given, the command will `U`  
`↪`operate on all constraint types:

```
:option -assert:
  `$assert` cells, representing ``assert(...)`` constraints
```

```
:option -assume:
  `$assume` cells, representing ``assume(...)`` constraints
```

```
:option -live:
  `$live` cells, representing ``assert(s_eventually ...)``
```

```
:option -fair:
  `$fair` cells, representing ``assume(s_eventually ...)``
```

```
:option -cover:
  `$cover` cells, representing ``cover()`` statements
```

Additionally chformal will operate on ``$check`` cells corresponding to the selected `U`  
`↪`constraint types.

Exactly one of the following modes must be specified:

```
:option -remove:
  remove the cells and thus constraints from the design
```

```
:option -early:
  bypass FFs that only delay the activation of a constraint. When inputs of the U  

↪bypassed FFs do not remain stable between clock edges, this may result in unexpected U  

↪behavior.
```

```
:option -delay <N>:
  delay activation of the constraint by <N> clock cycles
```

```
:option -skip <N>:
  ignore activation of the constraint in the first <N> clock cycles
```

```
:option -coverenable:
  add cover statements for the enable signals of the constraints
```

```
:option -assert2assume:
```

```
:option -assert2cover:
```

```
:option -assume2assert:
```

```
:option -live2fair:
```

```
:option -fair2live:
```

change the roles of cells as indicated. these options can be combined

```
:option -lower:
  convert each $check cell into an $assert, $assume, $live, $fair or $cover cell. If U  

↪the $check cell contains a message, also produce a $print cell.
```

(continues on next page)

(continued from previous page)

```
.. note:: Help text automatically generated from :file:`passes/cmds/chformal.cc:74`
```

## BIBLIOGRAPHY

- [ASU86] Alfred V. Aho, Ravi Sethi, and Jeffrey D. Ullman. *Compilers: principles, techniques, and tools*. Addison-Wesley Longman Publishing Co., Inc., Boston, MA, USA, 1986. ISBN 0-201-10088-6.
- [A+02] IEEE Standards Association and others. Ieee standard for verilog register transfer level synthesis. *IEEE Std 1364.1-2002*, 2002. doi:10.1109/IEEESTD.2002.94220.
- [A+04] IEEE Standards Association and others. Ieee standard for vhdl register transfer level (rtl) synthesis. *IEEE Std 1076.6-2004 (Revision of IEEE Std 1076.6-1999)*, 2004. doi:10.1109/IEEESTD.2004.94802.
- [A+06] IEEE Standards Association and others. Ieee standard for verilog hardware description language. *IEEE Std 1364-2005 (Revision of IEEE Std 1364-2001)*, 2006. doi:10.1109/IEEESTD.2006.99495.
- [A+09] IEEE Standards Association and others. Ieee standard vhdl language reference manual. *IEEE Std 1076-2008 (Revision of IEEE Std 1076-2002)*, 26 2009. doi:10.1109/IEEESTD.2009.4772740.
- [A+10] IEEE Standards Association and others. Ieee standard for ip-xact, standard structure for packaging, integrating, and reusing ip within tools flows. *IEEE Std 1685-2009*, pages C1–360, 2010. doi:10.1109/IEEESTD.2010.5417309.
- [BHSV90] R.K. Brayton, G.D. Hachtel, and A.L. Sangiovanni-Vincentelli. Multilevel logic synthesis. *Proceedings of the IEEE*, 78(2):264–300, 1990. doi:10.1109/5.52213.
- [CI00] Clifford E. Cummings and Sunburst Design Inc. Nonblocking assignments in verilog synthesis, coding styles that kill. In *SNUG (Synopsis Users Group) 2000 User Papers, section-MC1 (1 st paper)*. 2000.
- [EenSorensson03] Niklas Eén and Niklas Sörensson. Temporal induction by incremental sat solving. *Electronic Notes in Theoretical Computer Science*, 89(4):543–560, 2003.
- [GW13] Johann Glaser and C. Wolf. Methodology and example-driven interconnect synthesis for designing heterogeneous coarse-grain reconfigurable architectures. In Jan Haase, editor, *Advances in Models, Methods, and Tools for Complex Chip Design — Selected contributions from FDL'12*. Springer, 2013.
- [HS96] G D Hachtel and F Somenzi. *Logic synthesis and verification algorithms*. 1996.
- [LHBB85] Kyu Y. Lee, Michael Holley, Mary Bailey, and Walter Bright. A high-level design language for programmable logic devices. *VLSI Design (Manhasset NY: CPM Publications)*, pages 50–62, June 1985.
- [STGR10] Yiqiong Shi, Chan Wai Ting, Bah-Hwee Gwee, and Ye Ren. A highly efficient method for extracting fsms from flattened gate-level netlist. In *Circuits and Systems (ISCAS), Proceedings of 2010 IEEE International Symposium on*, 2610–2613. 2010. doi:10.1109/ISCAS.2010.5537093.

- [Ull76] J. R. Ullmann. An algorithm for subgraph isomorphism. *J. ACM*, 23(1):31–42, January 1976. doi:10.1145/321921.321925.
- [Wol13] C. Wolf. Design and implementation of the yosys open synthesis suite. Bachelor Thesis, Vienna University of Technology, 2013.
- [WGS+12] C. Wolf, Johann Glaser, Florian Schupfer, Jan Haase, and Christoph Grimm. Example-driven interconnect synthesis for heterogeneous coarse-grain reconfigurable logic. In *FDL Proceeding of the 2012 Forum on Specification and Design Languages*, 194–201. 2012.

## PROPERTY INDEX

is\_  
is\_evaluable, 421  
\$alu, 317  
\$fa, 318  
\$lcu, 319  
\$macc, 320  
\$macc\_v2, 323  
\$add, 270  
\$and, 271  
\$bweqx, 272  
\$div, 272  
\$divfloor, 273  
\$eq, 274  
\$eqx, 274  
\$ge, 275  
\$gt, 275  
\$le, 276  
\$logic\_and, 277  
\$logic\_or, 277  
\$lt, 278  
\$mod, 278  
\$modfloor, 279  
\$mul, 280  
\$ne, 281  
\$nex, 281  
\$or, 282  
\$pow, 282  
\$shift, 283  
\$shiftx, 284  
\$shl, 285  
\$shr, 285  
\$sshl, 286  
\$sshr, 286  
\$sub, 287  
\$xnor, 288  
\$xor, 288  
\$\_ANDNOT\_, 348  
\$\_AOI3\_, 348  
\$\_AOI4\_, 349  
\$\_MUX16\_, 349  
\$\_MUX4\_, 350  
\$\_MUX8\_, 351  
\$\_NMUX\_, 351  
\$\_OAI3\_, 352  
\$\_OAI4\_, 352  
\$\_ORNOT\_, 353  
\$\_AND\_, 343  
\$\_BUF\_, 343  
\$\_MUX\_, 344  
\$\_NAND\_, 344  
\$\_NOR\_, 345  
\$\_NOT\_, 345  
\$\_OR\_, 345  
\$\_XNOR\_, 346  
\$\_XOR\_, 346  
\$lut, 325  
\$sop, 326  
\$bmux, 289  
\$bwmux, 290  
\$demux, 290  
\$mux, 291  
\$pmux, 291  
\$buf, 264  
\$logic\_not, 264  
\$neg, 265  
\$not, 265  
\$pos, 266  
\$reduce\_and, 266  
\$reduce\_bool, 267  
\$reduce\_or, 267  
\$reduce\_xnor, 268  
\$reduce\_xor, 268  
\$concat, 341  
\$slice, 342  
  
X-  
x-aware, 421  
\$bweqx, 272  
\$eqx, 274  
\$nex, 281  
x-output, 421  
\$div, 272  
\$mod, 278  
\$shiftx, 284

\$pmux, 291

## INTERNAL CELL REFERENCE

### Internal cell

\$alu, 317  
\$fa, 318  
\$lcu, 319  
\$macc, 320  
\$macc\_v2, 323  
\$add, 270  
\$and, 271  
\$bweqx, 272  
\$div, 272  
\$divfloor, 273  
\$eq, 274  
\$eqx, 274  
\$ge, 275  
\$gt, 275  
\$le, 276  
\$logic\_and, 277  
\$logic\_or, 277  
\$lt, 278  
\$mod, 278  
\$modfloor, 279  
\$mul, 280  
\$ne, 281  
\$nex, 281  
\$or, 282  
\$pow, 282  
\$shift, 283  
\$shiftx, 284  
\$shl, 285  
\$shr, 285  
\$sshl, 286  
\$sshr, 286  
\$sub, 287  
\$xnor, 288  
\$xor, 288  
\$\_ANDNOT\_, 348  
\$\_AOI3\_, 348  
\$\_AOI4\_, 349  
\$\_MUX16\_, 349  
\$\_MUX4\_, 350  
\$\_MUX8\_, 351  
\$\_NMUX\_, 351  
\$\_OAI3\_, 352  
\$\_OAI4\_, 352  
\$\_ORNOT\_, 353  
\$\_AND\_, 343  
\$\_BUF\_, 343  
\$\_MUX\_, 344  
\$\_NAND\_, 344  
\$\_NOR\_, 345  
\$\_NOT\_, 345  
\$\_OR\_, 345  
\$\_XNOR\_, 346  
\$\_XOR\_, 346  
\$check, 338  
\$print, 339  
\$scopeinfo, 339  
\$allconst, 332  
\$allseq, 332  
\$anyconst, 332  
\$anyinit, 333  
\$anyseq, 333  
\$assert, 333  
\$assume, 334  
\$cover, 334  
\$equiv, 334  
\$fair, 335  
\$ff, 335  
\$initstate, 335  
\$live, 336  
\$future\_ff, 336  
\$get\_tag, 336  
\$original\_tag, 337  
\$overwrite\_tag, 337  
\$set\_tag, 337  
\$fsm, 315  
\$\_TBUF\_, 420  
\$lut, 325  
\$sop, 326  
\$mem, 306  
\$mem\_v2, 308  
\$meminit, 311  
\$meminit\_v2, 312  
\$memrd, 312

\$memrd\_v2, 313  
\$memwr, 313  
\$memwr\_v2, 314  
\$bmux, 289  
\$bwmux, 290  
\$demux, 290  
\$mux, 291  
\$pmux, 291  
\$tribuf, 292  
\$adff, 294  
\$adffe, 295  
\$adlatch, 295  
\$aldff, 296  
\$aldffe, 296  
\$dff, 297  
\$dffe, 297  
\$dffsr, 298  
\$dffsre, 299  
\$dlatch, 299  
\$dlatchsr, 300  
\$sdff, 300  
\$sdffce, 301  
\$sdffe, 301  
\$sr, 302  
\$\_ALDFFE\_NNN\_, 357  
\$\_ALDFFE\_NNP\_, 357  
\$\_ALDFFE\_NPN\_, 358  
\$\_ALDFFE\_NPP\_, 358  
\$\_ALDFFE\_PNN\_, 359  
\$\_ALDFFE\_PNP\_, 359  
\$\_ALDFFE\_PPN\_, 360  
\$\_ALDFFE\_PPP\_, 360  
\$\_ALDFF\_NN\_, 361  
\$\_ALDFF\_NP\_, 361  
\$\_ALDFF\_PN\_, 362  
\$\_ALDFF\_PP\_, 362  
\$\_DFFE\_NNON\_, 362  
\$\_DFFE\_NNOP\_, 363  
\$\_DFFE\_NN1N\_, 363  
\$\_DFFE\_NN1P\_, 364  
\$\_DFFE\_NN\_, 364  
\$\_DFFE\_NPON\_, 365  
\$\_DFFE\_NPOP\_, 365  
\$\_DFFE\_NP1N\_, 366  
\$\_DFFE\_NP1P\_, 366  
\$\_DFFE\_NP\_, 366  
\$\_DFFE\_PNON\_, 367  
\$\_DFFE\_PNOP\_, 367  
\$\_DFFE\_PN1N\_, 368  
\$\_DFFE\_PN1P\_, 368  
\$\_DFFE\_PN\_, 369  
\$\_DFFE\_PPON\_, 369  
\$\_DFFE\_PPOP\_, 369  
\$\_DFFE\_PP1N\_, 370  
\$\_DFFE\_PP1P\_, 370  
\$\_DFFE\_PP\_, 371  
\$\_DFFSRE\_NNNN\_, 371  
\$\_DFFSRE\_NNNP\_, 372  
\$\_DFFSRE\_NNPN\_, 372  
\$\_DFFSRE\_NNPP\_, 373  
\$\_DFFSRE\_NPNN\_, 373  
\$\_DFFSRE\_NPNP\_, 374  
\$\_DFFSRE\_NPPN\_, 374  
\$\_DFFSRE\_NPPP\_, 375  
\$\_DFFSRE\_PNNN\_, 376  
\$\_DFFSRE\_PNNP\_, 376  
\$\_DFFSRE\_PNPN\_, 377  
\$\_DFFSRE\_PNPP\_, 377  
\$\_DFFSRE\_PPNN\_, 378  
\$\_DFFSRE\_PPNP\_, 378  
\$\_DFFSRE\_PPPN\_, 379  
\$\_DFFSRE\_PPPP\_, 379  
\$\_DFFSR\_NNN\_, 380  
\$\_DFFSR\_NNP\_, 380  
\$\_DFFSR\_NPN\_, 381  
\$\_DFFSR\_NPP\_, 382  
\$\_DFFSR\_PNN\_, 382  
\$\_DFFSR\_PNP\_, 383  
\$\_DFFSR\_PPN\_, 383  
\$\_DFFSR\_PPP\_, 384  
\$\_DFF\_NNO\_, 384  
\$\_DFF\_NN1\_, 385  
\$\_DFF\_NPO\_, 385  
\$\_DFF\_NP1\_, 386  
\$\_DFF\_N\_, 386  
\$\_DFF\_PNO\_, 386  
\$\_DFF\_PN1\_, 387  
\$\_DFF\_PPO\_, 387  
\$\_DFF\_PP1\_, 388  
\$\_DFF\_P\_, 388  
\$\_FF\_, 389  
\$\_SDFFCE\_NNON\_, 389  
\$\_SDFFCE\_NNOP\_, 389  
\$\_SDFFCE\_NN1N\_, 390  
\$\_SDFFCE\_NN1P\_, 390  
\$\_SDFFCE\_NPON\_, 391  
\$\_SDFFCE\_NPOP\_, 391  
\$\_SDFFCE\_NP1N\_, 392  
\$\_SDFFCE\_NP1P\_, 392  
\$\_SDFFCE\_PNON\_, 393  
\$\_SDFFCE\_PNOP\_, 393  
\$\_SDFFCE\_PN1N\_, 394  
\$\_SDFFCE\_PN1P\_, 394  
\$\_SDFFCE\_PPON\_, 395  
\$\_SDFFCE\_PPOP\_, 395  
\$\_SDFFCE\_PP1N\_, 396  
\$\_SDFFCE\_PP1P\_, 396  
\$\_SDFFE\_NNON\_, 397

---

`$_SDFFE_NNOP_`, 397  
`$_SDFFE_NN1N_`, 398  
`$_SDFFE_NN1P_`, 398  
`$_SDFFE_NPON_`, 399  
`$_SDFFE_NPOP_`, 399  
`$_SDFFE_NP1N_`, 400  
`$_SDFFE_NP1P_`, 400  
`$_SDFFE_PNON_`, 401  
`$_SDFFE_PNOP_`, 401  
`$_SDFFE_PN1N_`, 402  
`$_SDFFE_PN1P_`, 402  
`$_SDFFE_PPON_`, 403  
`$_SDFFE_PPOP_`, 403  
`$_SDFFE_PP1N_`, 404  
`$_SDFFE_PP1P_`, 404  
`$_SDFF_NNO_`, 405  
`$_SDFF_NN1_`, 405  
`$_SDFF_NPO_`, 406  
`$_SDFF_NP1_`, 406  
`$_SDFF_PNO_`, 407  
`$_SDFF_PN1_`, 407  
`$_SDFF_PPO_`, 407  
`$_SDFF_PP1_`, 408  
`$_DLATCHSR_NNN_`, 410  
`$_DLATCHSR_NNP_`, 410  
`$_DLATCHSR_NPN_`, 411  
`$_DLATCHSR_NPP_`, 411  
`$_DLATCHSR_PNN_`, 412  
`$_DLATCHSR_PNP_`, 412  
`$_DLATCHSR_PPN_`, 413  
`$_DLATCHSR_PPP_`, 413  
`$_DLATCH_NNO_`, 414  
`$_DLATCH_NN1_`, 414  
`$_DLATCH_NPO_`, 415  
`$_DLATCH_NP1_`, 415  
`$_DLATCH_N_`, 416  
`$_DLATCH_PNO_`, 416  
`$_DLATCH_PN1_`, 417  
`$_DLATCH_PPO_`, 417  
`$_DLATCH_PP1_`, 417  
`$_DLATCH_P_`, 418  
`$_SR_NN_`, 418  
`$_SR_NP_`, 419  
`$_SR_PN_`, 419  
`$_SR_PP_`, 420  
`$specify2`, 327  
`$specify3`, 328  
`$specrule`, 331  
`$buf`, 264  
`$logic_not`, 264  
`$neg`, 265  
`$not`, 265  
`$pos`, 266  
`$reduce_and`, 266  
`$reduce_bool`, 267  
`$reduce_or`, 267  
`$reduce_xnor`, 268  
`$reduce_xor`, 268  
`$concat`, 341  
`$connect`, 341  
`$input_port`, 342  
`$slice`, 342



## COMMAND REFERENCE

### Command

abc, 521  
abc9, 525  
abc9\_exe, 529  
abc9\_ops, 531  
abc\_new, 533  
abstract, 562  
add, 565  
aigmap, 534  
alumacc, 534  
anlogic\_eqn, 618  
anlogic\_fixcarry, 619  
arith\_tree, 535  
assertpmux, 469  
async2sync, 470  
attrmap, 535  
attrmvcp, 536  
autoname, 565  
blackbox, 566  
bmuxmap, 537  
booth, 537  
box\_derive, 566  
bufnorm, 537  
bugpoint, 567  
bwmuxmap, 539  
cd, 591  
cellmatch, 539  
check, 592  
chformal, 470  
chparam, 568  
chtype, 569  
clean, 509  
clean\_zerowidth, 569  
clk2fflogic, 471  
clkbufmap, 540  
clockgate, 540  
connect, 569  
connect\_rpc, 425  
connwrappers, 570  
constmap, 541  
coolrunner2\_fixup, 621  
coolrunner2\_sop, 621  
copy, 571  
cutpoint, 471  
debug, 593  
delete, 571  
deminout, 542  
demuxmap, 542  
design, 571  
design\_equal, 572  
dffinit, 542  
dfflegalize, 543  
dfflibmap, 544  
dffunmap, 545  
dft\_tag, 472  
dump, 437  
echo, 466  
edgetypes, 593  
equiv\_add, 582  
equiv\_induct, 582  
equiv\_make, 583  
equiv\_mark, 584  
equiv\_miter, 584  
equiv\_opt, 584  
equiv\_purge, 586  
equiv\_remove, 586  
equiv\_simple, 586  
equiv\_status, 587  
equiv\_struct, 587  
eval, 588  
example\_dt, 672  
exec, 593  
expose, 573  
extract, 546  
extract\_counter, 547  
extract\_fa, 548  
extract\_reduce, 549  
extractinv, 549  
flatten, 489  
flowmap, 550  
fmcombine, 472  
fminit, 473  
formalff, 474  
freduce, 475

fsm, 498  
fsm\_detect, 499  
fsm\_expand, 499  
fsm\_export, 500  
fsm\_extract, 500  
fsm\_info, 501  
fsm\_map, 501  
fsm\_opt, 501  
fsm\_recode, 501  
fst2tb, 589  
future, 476  
gatemate\_foldinv, 628  
glift, 476  
greenpak4\_dffinv, 634  
help, 466  
hierarchy, 490  
hilomap, 550  
history, 466  
ice40\_braminit, 637  
ice40\_dsp, 637  
ice40\_opt, 637  
ice40\_wrapcarry, 638  
icell\_liberty, 574  
insbuf, 551  
internal\_stats, 673  
iopadmap, 551  
jny, 438  
json, 439  
keep\_hierarchy, 492  
lattice\_dsp\_nexus, 647  
lattice\_gsr, 647  
libcache, 552  
license, 467  
linecoverage, 574  
linux\_perf, 673  
log, 594  
logger, 595  
ls, 596  
ltp, 596  
lut2bmux, 553  
lut2mux, 553  
macemap, 554  
memory, 502  
memory\_bmux2rom, 503  
memory\_bram, 503  
memory\_collect, 505  
memory\_dff, 505  
memory\_libmap, 506  
memory\_map, 506  
memory\_memx, 507  
memory\_narrow, 507  
memory\_nordff, 508  
memory\_share, 508  
memory\_unpack, 509  
microchip\_dffopt, 652  
microchip\_dsp, 652  
miter, 479  
mutate, 480  
muxcover, 554  
muxpack, 509  
nlutmap, 555  
nx\_carry, 658  
onehot, 510  
opensta, 611  
opt, 510  
opt\_balance\_tree, 511  
opt\_clean, 511  
opt\_demorgan, 512  
opt\_dff, 512  
opt\_expr, 513  
opt\_ffinv, 513  
opt\_hier, 514  
opt\_lut, 514  
opt\_lut\_ins, 514  
opt\_mem, 515  
opt\_mem\_feedback, 515  
opt\_mem\_priority, 515  
opt\_mem\_widen, 516  
opt\_merge, 516  
opt\_muxtree, 517  
opt\_reduce, 517  
opt\_share, 517  
paramap, 555  
peepopt, 518  
plugin, 597  
pmux2shiftx, 519  
pmuxtree, 556  
portarcs, 597  
portlist, 598  
prep, 612  
printattrs, 598  
proc, 494  
proc\_arst, 495  
proc\_clean, 495  
proc\_dff, 496  
proc\_dlatch, 496  
proc\_init, 496  
proc\_memwr, 496  
proc\_mux, 497  
proc\_prune, 497  
proc\_rmdead, 497  
proc\_rom, 498  
qbfsat, 481  
ql\_bram\_merge, 661  
ql\_bram\_types, 662  
ql\_dsp\_io\_regs, 662  
ql\_dsp\_macc, 662  
ql\_dsp\_simd, 662

---

ql\_ioff, 663  
read, 426  
read\_aiger, 427  
read\_blif, 428  
read\_json, 428  
read\_liberty, 428  
read\_rtlil, 429  
read\_verilog, 430  
read\_verilog\_file\_list, 433  
read\_xaiger2, 434  
recover\_names, 519  
rename, 574  
rmparts, 635  
sat, 483  
scatter, 576  
scc, 598  
scratchpad, 599  
script, 467  
sdc\_expand, 613  
select, 600  
setattr, 576  
setenv, 605  
setparam, 576  
setundef, 577  
share, 519  
shell, 468  
show, 605  
shregmap, 556  
sim, 589  
simplemap, 558  
sort, 577  
splice, 578  
splitcells, 579  
splitnets, 579  
sta, 607  
stat, 607  
submod, 493  
supercover, 487  
synth, 614  
synth\_achronix, 617  
synth\_anlogic, 619  
synth\_coolrunner2, 621  
synth\_easic, 623  
synth\_ecp5, 648  
synth\_fabulous, 625  
synth\_gatamate, 628  
synth\_gowin, 631  
synth\_greenpak4, 635  
synth\_ice40, 638  
synth\_intel, 642  
synth\_intel\_alm, 645  
synth\_lattice, 648  
synth\_microchip, 653  
synth\_nanoplore, 658  
synth\_nexus, 652  
synth\_quicklogic, 663  
synth\_sf2, 656  
synth\_xilinx, 666  
synthprop, 487  
tcl, 469  
techmap, 558  
tee, 608  
test\_abcloop, 674  
test\_autotb, 674  
test\_cell, 675  
test\_generic, 676  
test\_pmggen, 677  
test\_select, 580  
timeest, 581  
torder, 609  
trace, 609  
tribuf, 562  
uniquify, 493  
verific, 434  
verilog\_defaults, 437  
verilog\_defines, 437  
viz, 609  
wbflip, 581  
wrapcell, 581  
wreduce, 520  
write\_aiger, 439  
write\_aiger2, 440  
write\_blif, 441  
write\_btor, 443  
write\_cxxrtl, 443  
write\_edif, 448  
write\_file, 611  
write\_firrtl, 449  
write\_functional\_cxx, 449  
write\_functional\_rosette, 450  
write\_functional\_smt2, 450  
write\_intersynth, 450  
write\_jny, 451  
write\_json, 451  
write\_rtlil, 456  
write\_simplec, 457  
write\_smt2, 457  
write\_smv, 461  
write\_spice, 461  
write\_table, 462  
write\_verilog, 462  
write\_xaiger, 464  
write\_xaiger2, 465  
xilinx\_dffopt, 670  
xilinx\_dsp, 671  
xilinx\_srl, 672  
xprop, 488  
zinit, 562



## TAG INDEX

dump, 437  
jny, 438  
json, 439  
write\_aiger, 439  
write\_aiger2, 440  
write\_blif, 441  
write\_btor, 443  
write\_cxxrtl, 443  
write\_edif, 448  
write\_firrtl, 449  
write\_functional\_cxx, 449  
write\_functional\_rosette, 450  
write\_functional\_smt2, 450  
write\_intersynth, 450  
write\_jny, 451  
write\_json, 451  
write\_rtlil, 456  
write\_simplec, 457  
write\_smt2, 457  
write\_smv, 461  
write\_spice, 461  
write\_table, 462  
write\_verilog, 462  
write\_xaiger, 464  
write\_xaiger2, 465  
assertpmux, 469  
async2sync, 470  
chformal, 470  
clk2fflogic, 471  
cutpoint, 471  
dft\_tag, 472  
fmcombine, 472  
fminit, 473  
formalff, 474  
freduce, 475  
future, 476  
glift, 476  
miter, 479  
mutate, 480  
qbfsat, 481  
sat, 483  
supercover, 487  
synthprop, 487  
xprop, 488  
connect\_rpc, 425  
read, 426  
read\_aiger, 427  
read\_blif, 428  
read\_json, 428  
read\_liberty, 428  
read\_rtlil, 429  
read\_verilog, 430  
read\_verilog\_file\_list, 433  
read\_xaiger2, 434  
verific, 434  
verilog\_defaults, 437  
verilog\_defines, 437  
example\_dt, 672  
internal\_stats, 673  
linux\_perf, 673  
test\_abcloop, 674  
test\_autotb, 674  
test\_cell, 675  
test\_generic, 676  
test\_pmggen, 677  
echo, 466  
help, 466  
history, 466  
license, 467  
script, 467  
shell, 468  
tcl, 469  
abstract, 562  
add, 565  
autoname, 565  
blackbox, 566  
box\_derive, 566  
bugpoint, 567  
chparam, 568  
chtype, 569  
clean\_zerowidth, 569  
connect, 569  
connwrappers, 570  
copy, 571

delete, 571  
design, 571  
design\_equal, 572  
expose, 573  
icell\_liberty, 574  
linecoverage, 574  
rename, 574  
scatter, 576  
setattr, 576  
setparam, 576  
setundef, 577  
sort, 577  
splice, 578  
splitcells, 579  
splitnets, 579  
test\_select, 580  
timeest, 581  
wbflip, 581  
wrapcell, 581  
equiv\_add, 582  
equiv\_induct, 582  
equiv\_make, 583  
equiv\_mark, 584  
equiv\_miter, 584  
equiv\_opt, 584  
equiv\_purge, 586  
equiv\_remove, 586  
equiv\_simple, 586  
equiv\_status, 587  
equiv\_struct, 587  
fsm, 498  
fsm\_detect, 499  
fsm\_expand, 499  
fsm\_export, 500  
fsm\_extract, 500  
fsm\_info, 501  
fsm\_map, 501  
fsm\_opt, 501  
fsm\_recode, 501  
flatten, 489  
hierarchy, 490  
keep\_hierarchy, 492  
submod, 493  
uniquify, 493  
memory, 502  
memory\_bmux2rom, 503  
memory\_bram, 503  
memory\_collect, 505  
memory\_dff, 505  
memory\_libmap, 506  
memory\_map, 506  
memory\_memx, 507  
memory\_narrow, 507  
memory\_nordff, 508  
memory\_share, 508  
memory\_unpack, 509  
clean, 509  
muxpack, 509  
onehot, 510  
opt, 510  
opt\_balance\_tree, 511  
opt\_clean, 511  
opt\_demorgan, 512  
opt\_dff, 512  
opt\_expr, 513  
opt\_ffinv, 513  
opt\_hier, 514  
opt\_lut, 514  
opt\_lut\_ins, 514  
opt\_mem, 515  
opt\_mem\_feedback, 515  
opt\_mem\_priority, 515  
opt\_mem\_widen, 516  
opt\_merge, 516  
opt\_muxtree, 517  
opt\_reduce, 517  
opt\_share, 517  
peepopt, 518  
pmux2shiftx, 519  
recover\_names, 519  
share, 519  
wreduce, 520  
proc, 494  
proc\_arst, 495  
proc\_clean, 495  
proc\_dff, 496  
proc\_dlatch, 496  
proc\_init, 496  
proc\_memwr, 496  
proc\_mux, 497  
proc\_prune, 497  
proc\_rmdead, 497  
proc\_rom, 498  
eval, 588  
fst2tb, 589  
sim, 589  
cd, 591  
check, 592  
debug, 593  
edgetypes, 593  
exec, 593  
log, 594  
logger, 595  
ls, 596  
ltp, 596  
plugin, 597  
portarcs, 597  
portlist, 598

printattrs, 598  
scc, 598  
scratchpad, 599  
select, 600  
setenv, 605  
show, 605  
sta, 607  
stat, 607  
tee, 608  
torder, 609  
trace, 609  
viz, 609  
write\_file, 611  
abc, 521  
abc9, 525  
abc9\_exe, 529  
abc9\_ops, 531  
abc\_new, 533  
aigmap, 534  
alumacc, 534  
arith\_tree, 535  
attrmap, 535  
attrmvcp, 536  
bmuxmap, 537  
booth, 537  
bufnorm, 537  
bwmuxmap, 539  
cellmatch, 539  
clkbufmap, 540  
clockgate, 540  
constmap, 541  
deminout, 542  
demuxmap, 542  
dffinit, 542  
dfflegalize, 543  
dfflibmap, 544  
dffunmap, 545  
extract, 546  
extract\_counter, 547  
extract\_fa, 548  
extract\_reduce, 549  
extractinv, 549  
flowmap, 550  
hilomap, 550  
insbuf, 551  
iopadmap, 551  
libcache, 552  
lut2bmux, 553  
lut2mux, 553  
maccmap, 554  
muxcover, 554  
nlutmap, 555  
paramap, 555  
pmuxtree, 556  
shregmap, 556  
simplemap, 558  
techmap, 558  
tribuf, 562  
zinit, 562  
synth\_achronix, 617  
anlogic\_eqn, 618  
anlogic\_fixcarry, 619  
synth\_anlogic, 619  
opensta, 611  
prep, 612  
sdc\_expand, 613  
synth, 614  
coolrunner2\_fixup, 621  
coolrunner2\_sop, 621  
synth\_coolrunner2, 621  
synth\_easic, 623  
synth\_fabulous, 625  
gatemate\_foldinv, 628  
synth\_gatemate, 628  
synth\_gowin, 631  
greenpak4\_dffinv, 634  
rmparts, 635  
synth\_greenpak4, 635  
ice40\_braminit, 637  
ice40\_dsp, 637  
ice40\_opt, 637  
ice40\_wrapcarry, 638  
synth\_ice40, 638  
synth\_intel, 642  
synth\_intel\_alm, 645  
lattice\_dsp\_nexus, 647  
lattice\_gsr, 647  
synth\_ecp5, 648  
synth\_lattice, 648  
synth\_nexus, 652  
microchip\_dffopt, 652  
microchip\_dsp, 652  
synth\_microchip, 653  
synth\_sf2, 656  
nx\_carry, 658  
synth\_nanoxplore, 658  
ql\_bram\_merge, 661  
ql\_bram\_types, 662  
ql\_dsp\_io\_regs, 662  
ql\_dsp\_macc, 662  
ql\_dsp\_simd, 662  
ql\_ioff, 663  
synth\_quicklogic, 663  
synth\_xilinx, 666  
xilinx\_dffopt, 670  
xilinx\_dsp, 671  
xilinx\_srl, 672